



US00D522194S

(12) **United States Design Patent**  
**Mason**

(10) **Patent No.:** **US D522,194 S**

(45) **Date of Patent:** **\*\* May 30, 2006**

(54) **FILTER ARRANGEMENT FOR A VACUUM CLEANER**

(75) **Inventor:** **Richard Anthony Mason, Wiltshire (GB)**

(73) **Assignee:** **Dyson Limited, Wiltshire (GB)**

(\*\*) **Term:** **14 Years**

(21) **Appl. No.:** **29/217,102**

(22) **Filed:** **Nov. 15, 2004**

(30) **Foreign Application Priority Data**

May 13, 2004 (GB) ..... 3017292

(51) **LOC (8) Cl.** ..... **15-05**

(52) **U.S. Cl.** ..... **D32/30**

(58) **Field of Classification Search** ..... D32/25,  
D32/30-31; 15/347, 350-353, DIG. 8; 55/361,  
55/369, 374-378, 413, 490, DIG. 2, DIG. 3;  
417/423.2; 95/268, 271

See application file for complete search history.

(56) **References Cited**

**U.S. PATENT DOCUMENTS**

5,725,623 A \* 3/1998 Bowerman et al. .... 55/490  
D406,421 S \* 3/1999 Bobrosky et al. .... D32/31

5,946,771 A \* 9/1999 Bosyj et al. .... 15/347  
6,151,751 A \* 11/2000 McCormick et al. .... 15/351  
6,508,867 B1 \* 1/2003 Schoenewald et al. .... 96/333  
D472,683 S \* 4/2003 Stratford ..... D32/31  
6,609,270 B1 \* 8/2003 Kim ..... 15/347  
6,629,332 B1 \* 10/2003 Morgan et al. .... 15/320  
6,641,634 B1 \* 11/2003 Reich et al. .... 55/385.1  
6,875,255 B1 \* 4/2005 Alford et al. .... 95/273  
2004/0074042 A1 \* 4/2004 Overvaag ..... 15/347  
2004/0088819 A1 \* 5/2004 Hafling et al. .... 15/347

\* cited by examiner

*Primary Examiner*—Ruth McInroy

(74) *Attorney, Agent, or Firm*—Morrison & Foerster LLP

(57) **CLAIM**

I claim the ornamental design for a filter arrangement for a vacuum cleaner, as shown and described.

**DESCRIPTION**

FIG. 1 is an oblique perspective view of a filter arrangement for a vacuum cleaner showing my new design;

FIG. 2 is a front view thereof;

FIG. 3 is a rear view thereof;

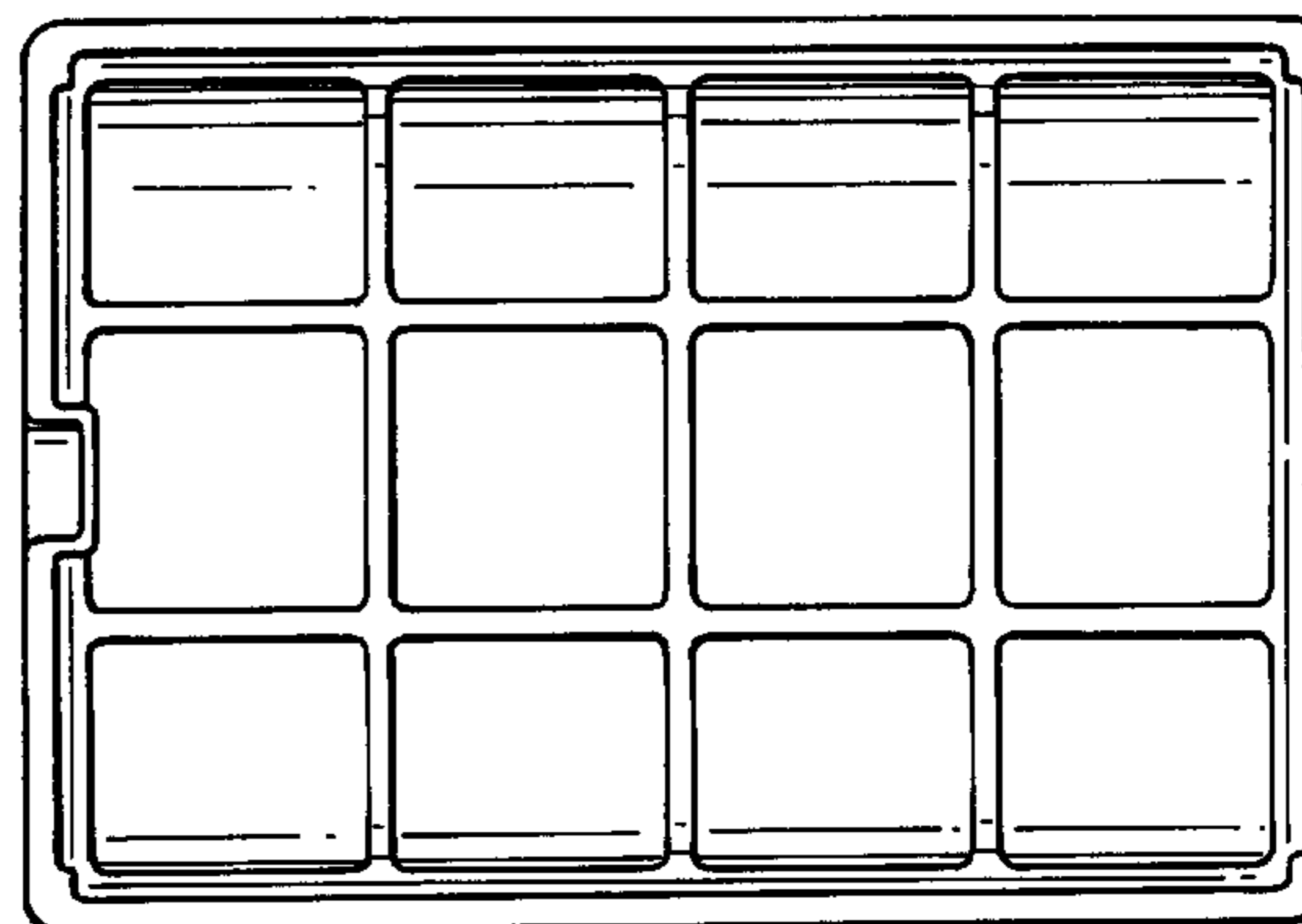
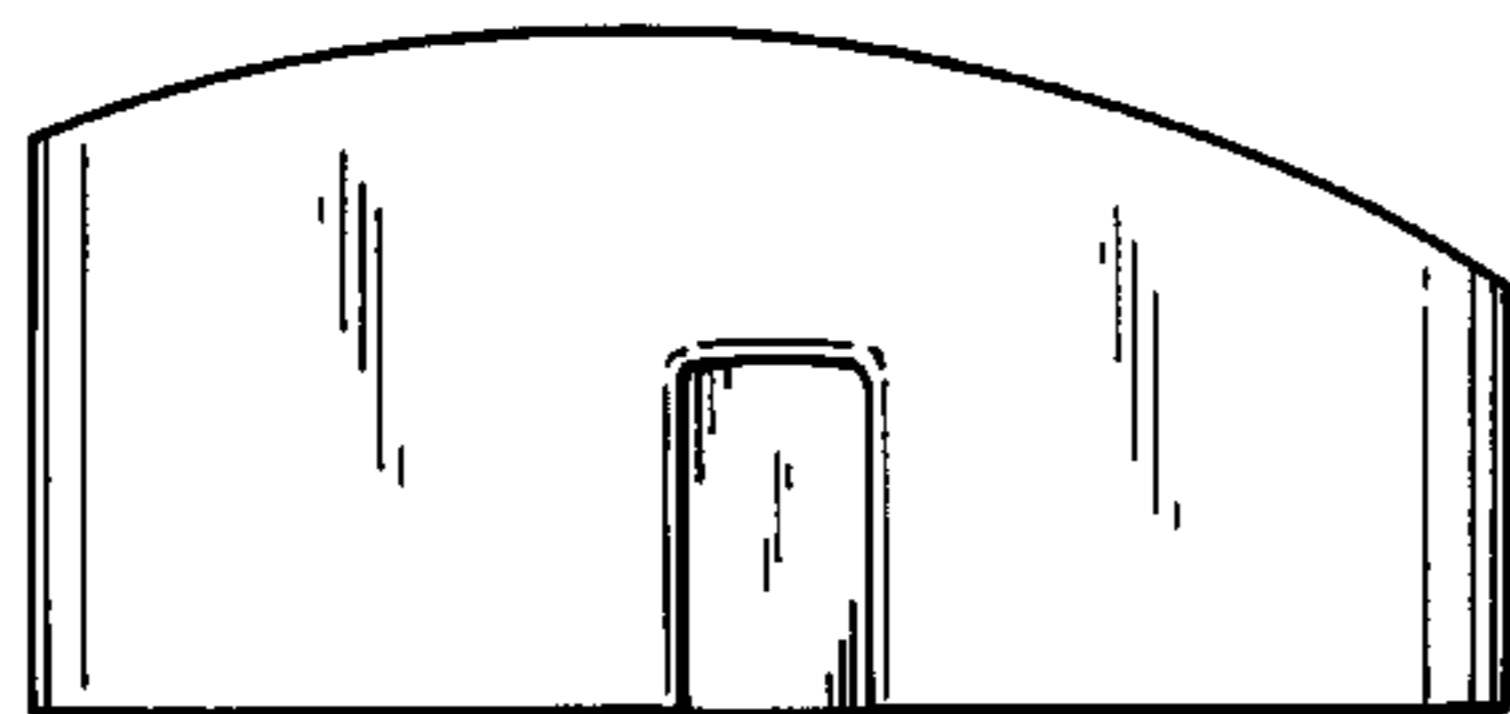
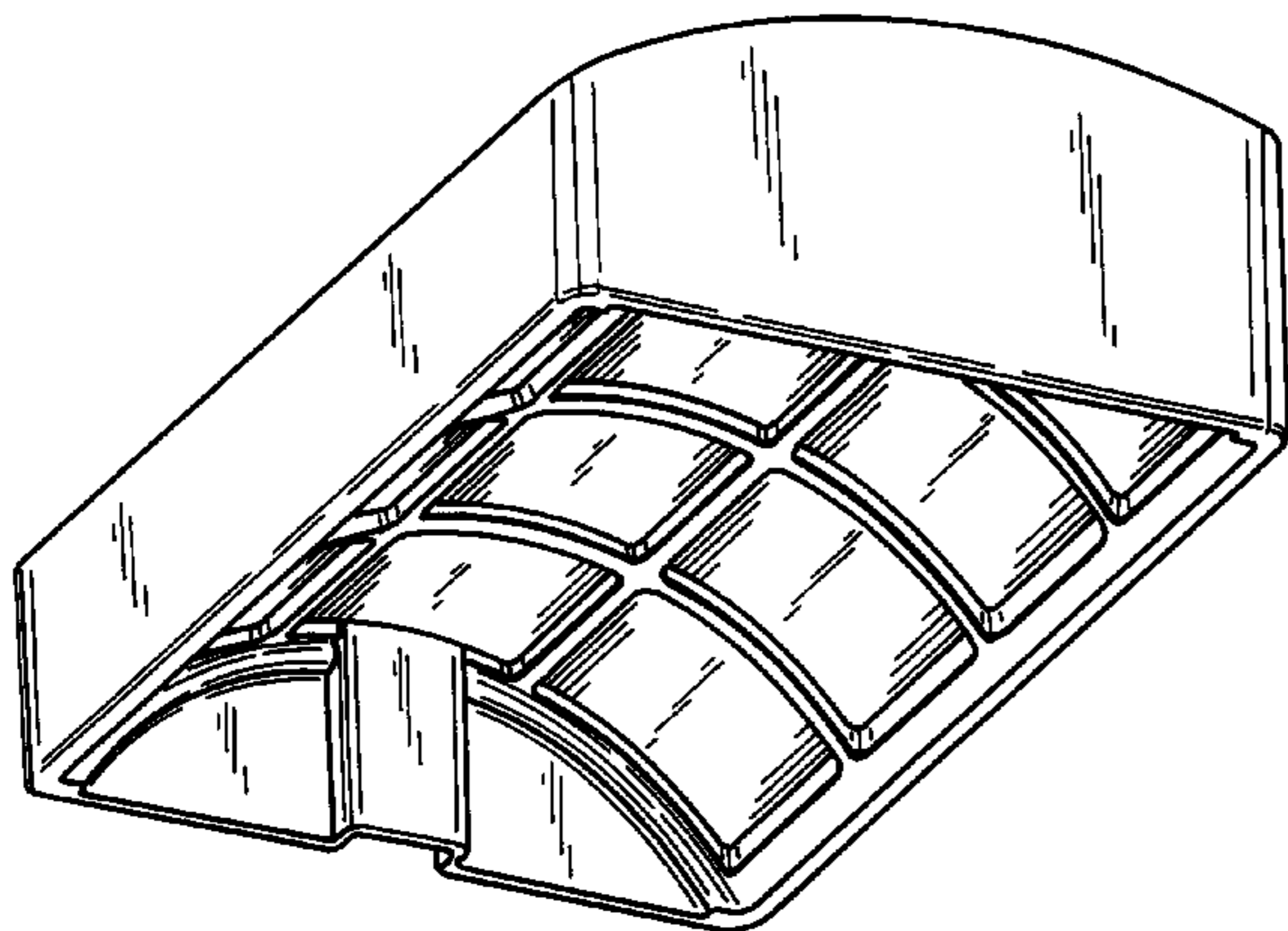
FIG. 4 is a side view thereof;

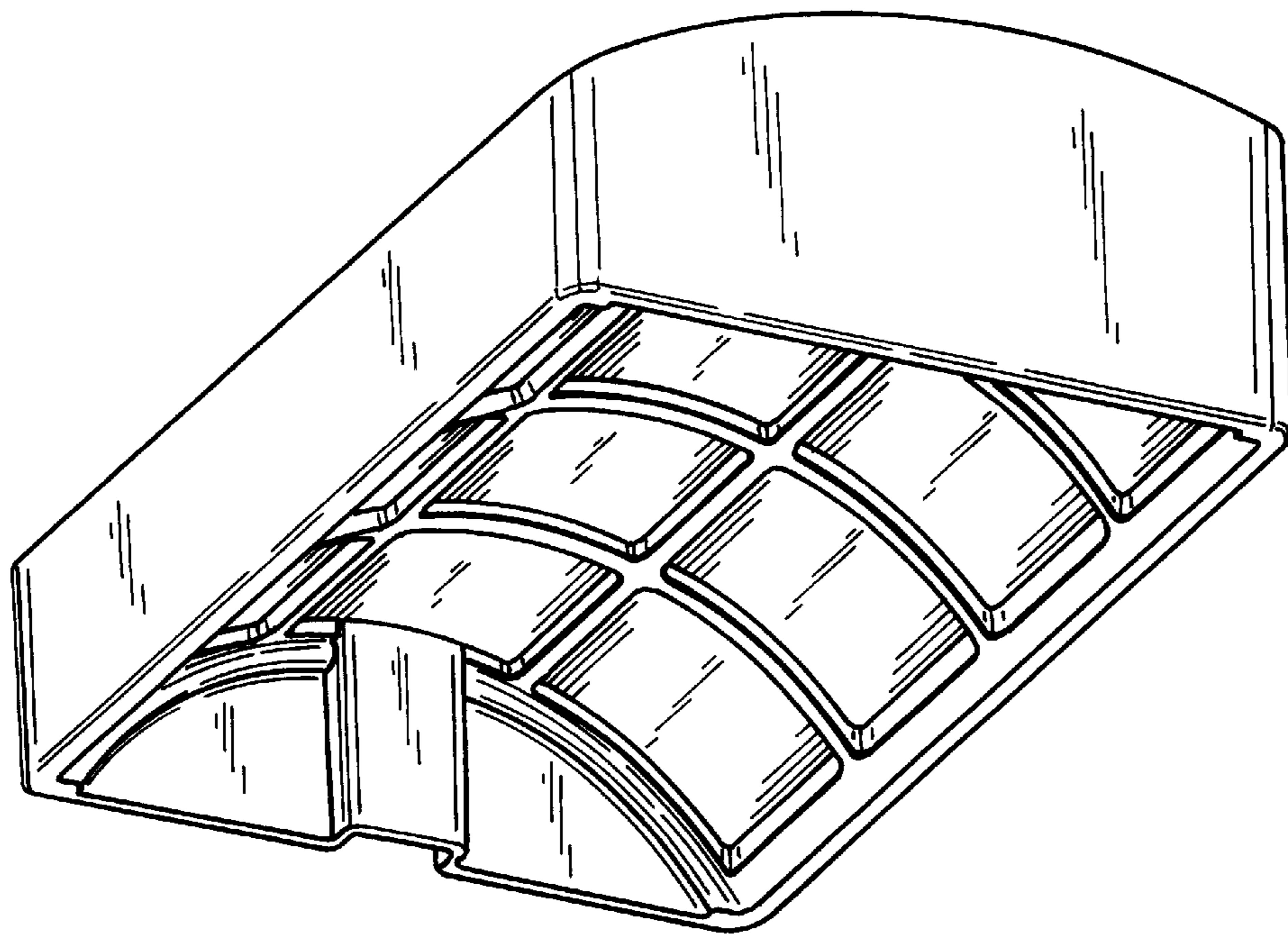
FIG. 5 is a side view of the opposite side of FIG. 4;

FIG. 6 is a top view thereof; and,

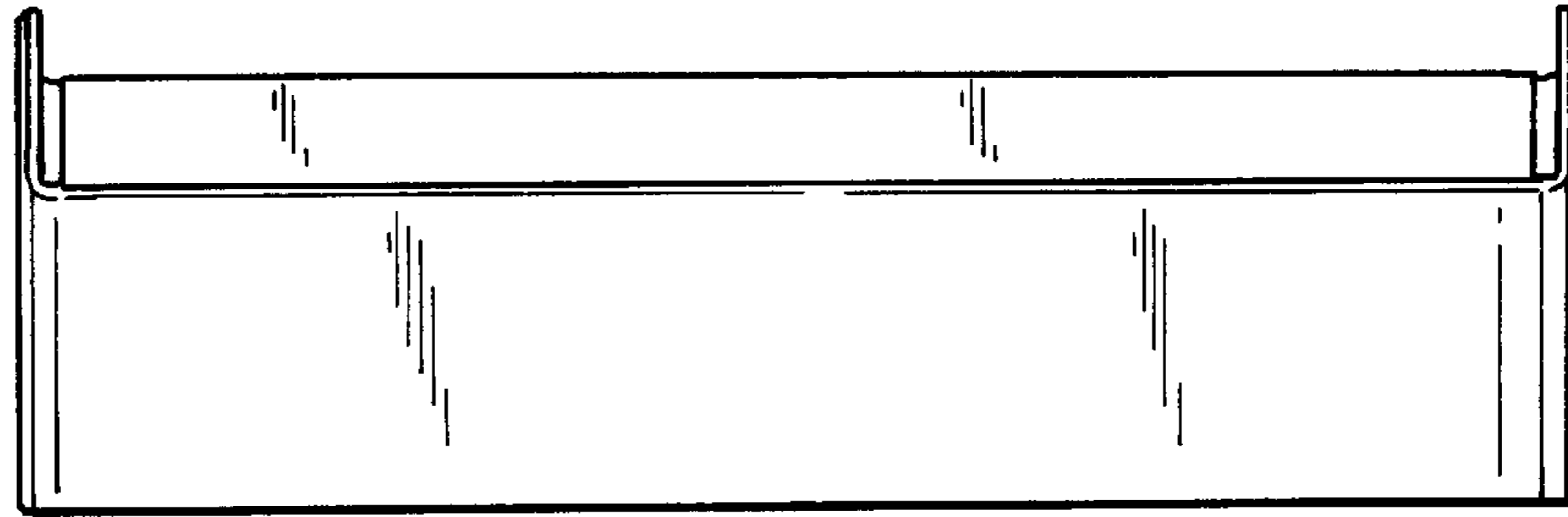
FIG. 7 is a bottom view thereof.

**1 Claim, 7 Drawing Sheets**

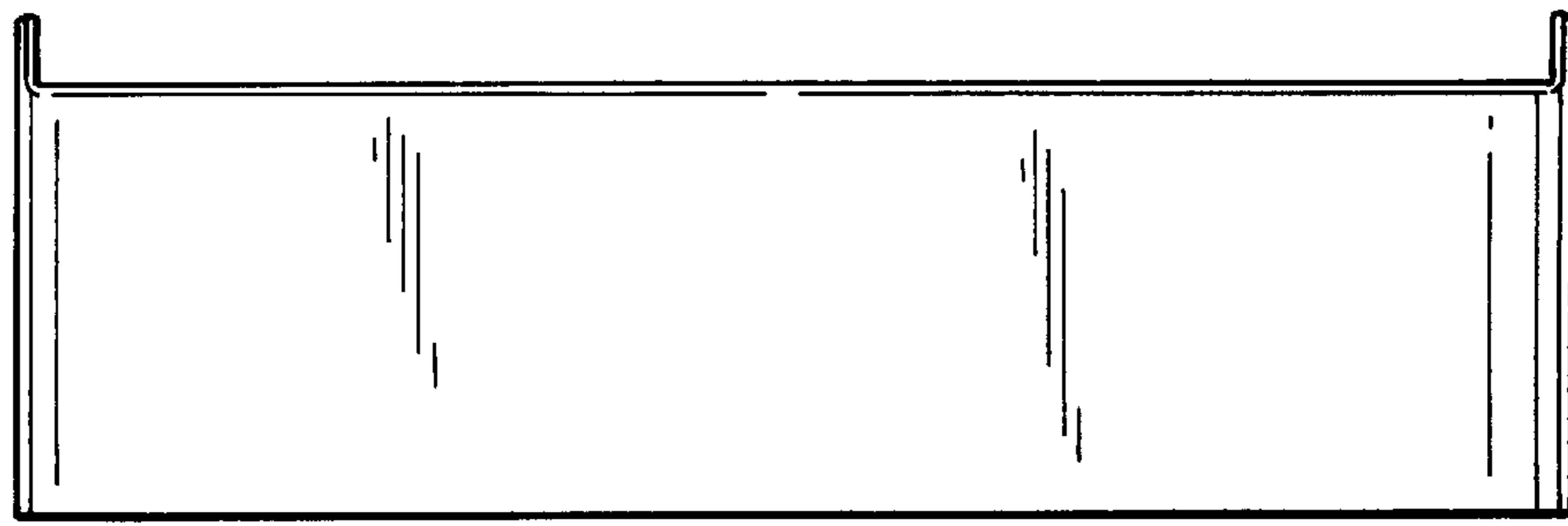




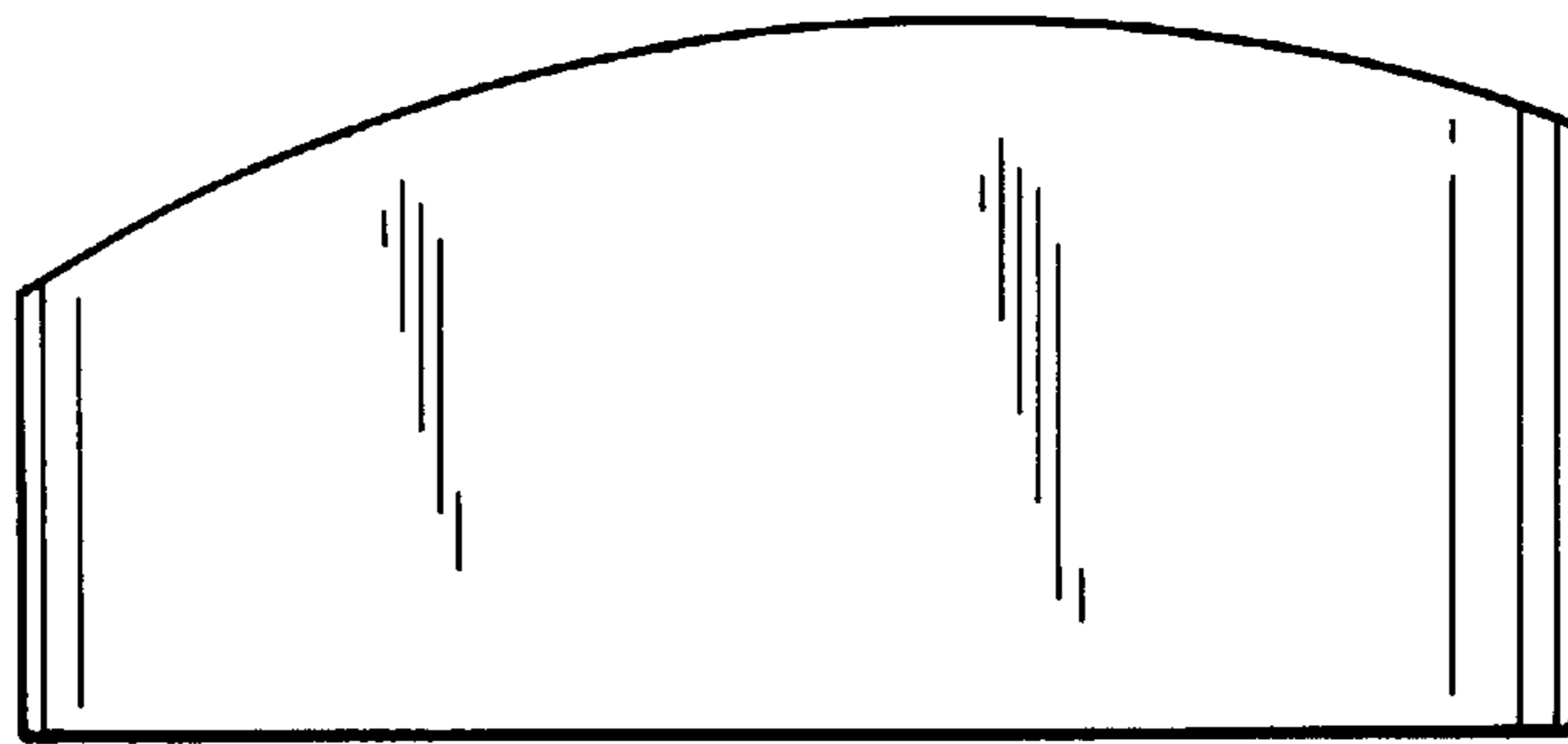
*Fig. 1*



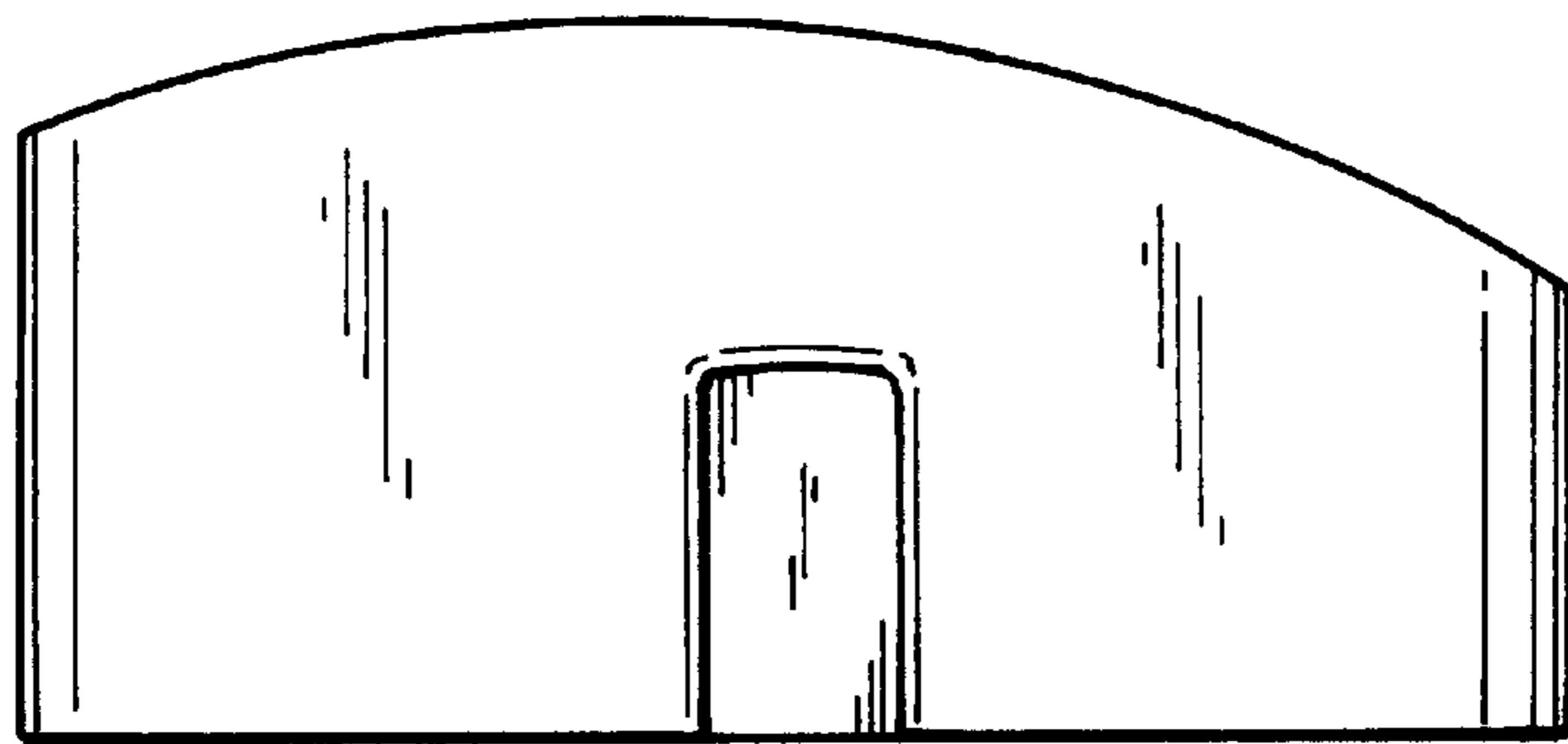
*Fig. 2*



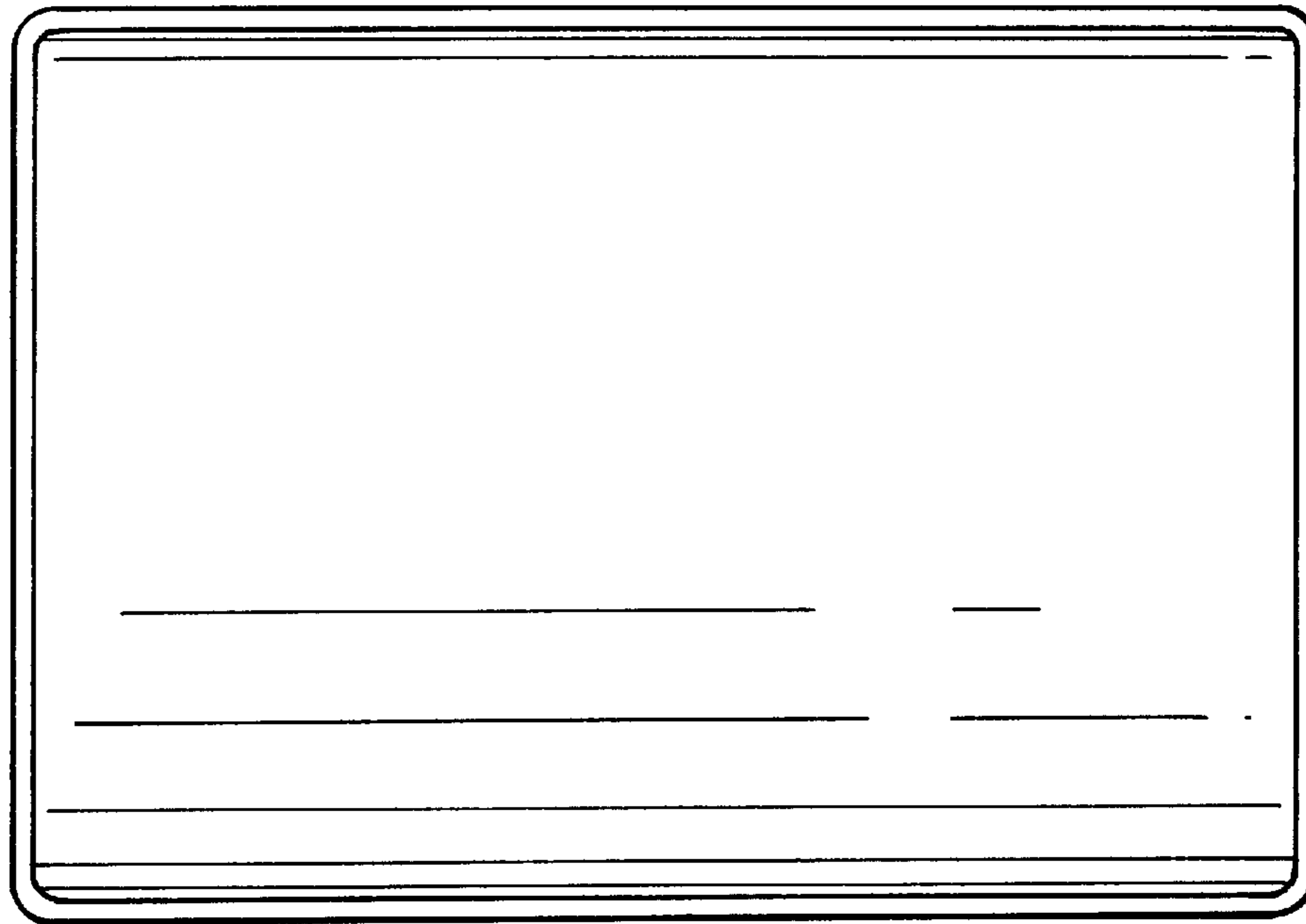
*Fig. 3*



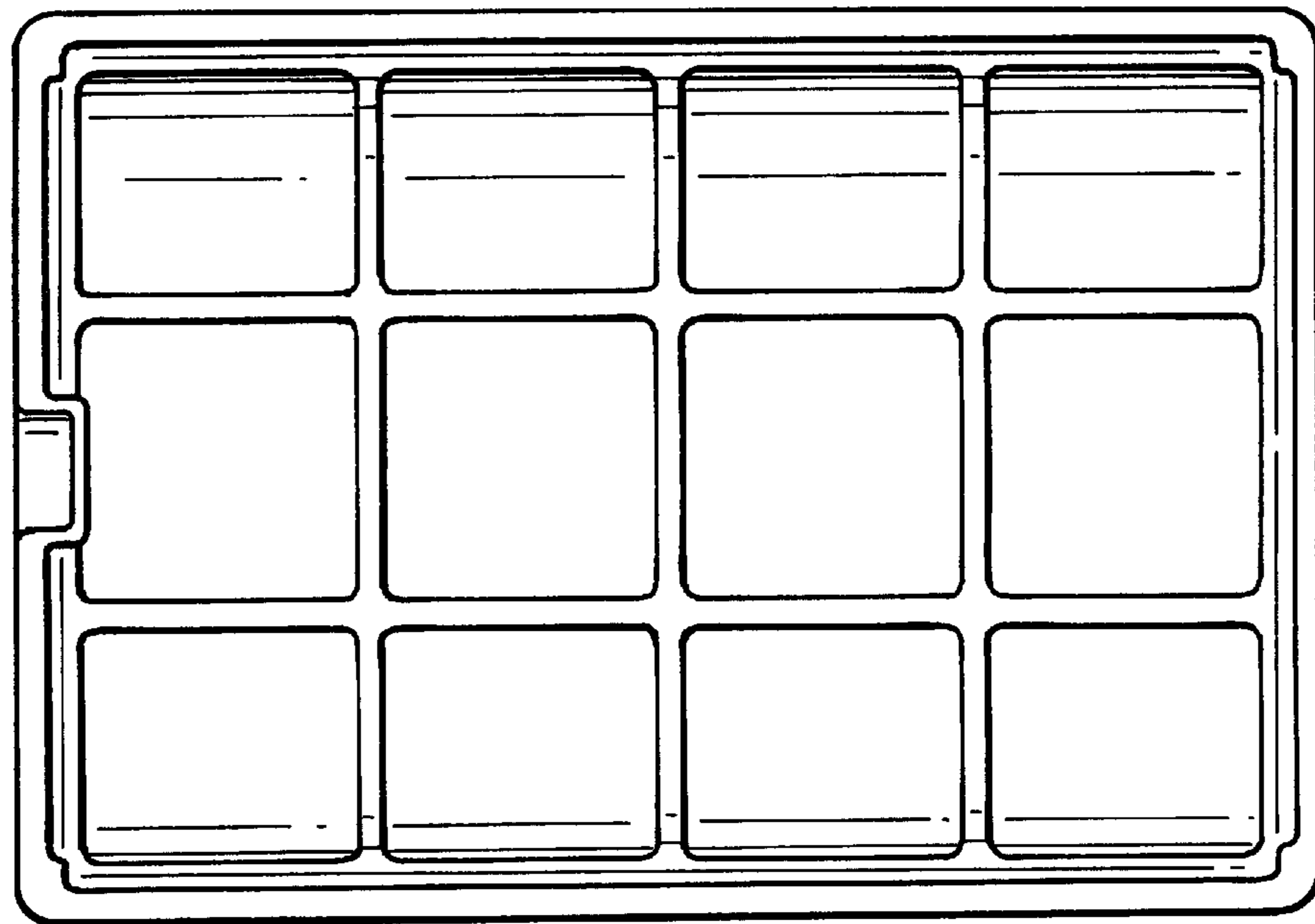
*Fig. 4*



*Fig. 5*



*Fig. 6*



*Fig. 7*