

US00D522193S

(12) **United States Design Patent**  
**Carey et al.**

(10) **Patent No.:** **US D522,193 S**

(45) **Date of Patent:** **\*\* May 30, 2006**

(54) **WASHER AND DRYER CONSOLE**

(75) Inventors: **Michael Robert Carey**, Coloma, MI (US); **Darryl C. Bodine**, Saint Joseph, MI (US); **Matthew G. Czach**, Holland, MI (US)

(73) Assignee: **Whirlpool Corporation**, Benton Harbor, MI (US)

(\*\*) Term: **14 Years**

(21) Appl. No.: **29/229,560**

(22) Filed: **May 9, 2005**

(51) **LOC (8) Cl.** ..... **15-05**

(52) **U.S. Cl.** ..... **D32/28**

(58) **Field of Classification Search** ..... D32/1, D32/5-10, 25, 28; 68/3 R, 4, 5, 12.01, 212, 68/12.08; 34/58, 108, 130, 131-132, 417, 34/499, 523, 534, 595-7, 600, 603; 38/1 A; 312/31

See application file for complete search history.

(56) **References Cited**

**U.S. PATENT DOCUMENTS**

D369,514 S \* 5/1996 Baldwin ..... D7/406

D398,102 S \* 9/1998 Schober ..... D32/25  
D436,931 S \* 1/2001 Oliver et al. .... D13/162  
D449,720 S \* 10/2001 Costello ..... D32/28  
D474,313 S \* 5/2003 Byrne ..... D32/28  
D489,152 S \* 4/2004 Sneddon ..... D32/28  
D491,324 S \* 6/2004 Kim et al. .... D32/6  
D492,456 S \* 6/2004 Geyer ..... D32/28

\* cited by examiner

*Primary Examiner*—Louis S. Zarfes

*Assistant Examiner*—Kathleen Sims

(74) *Attorney, Agent, or Firm*—Clifton G. Green; Robert O. Rice; John F. Colligan

(57) **CLAIM**

The ornamental design for a washer and dryer console, as shown and described.

**DESCRIPTION**

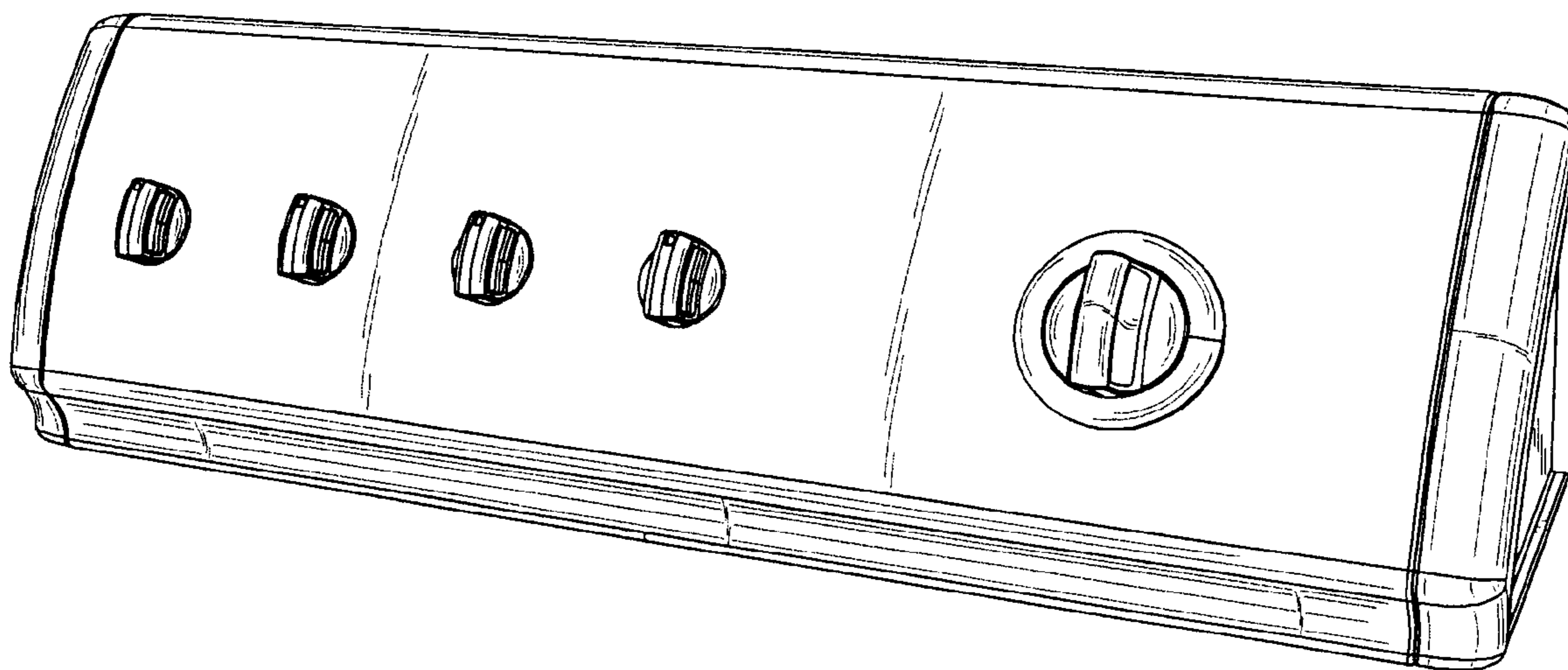
FIG. 1 is a front perspective view of the design of the washer and dryer console;

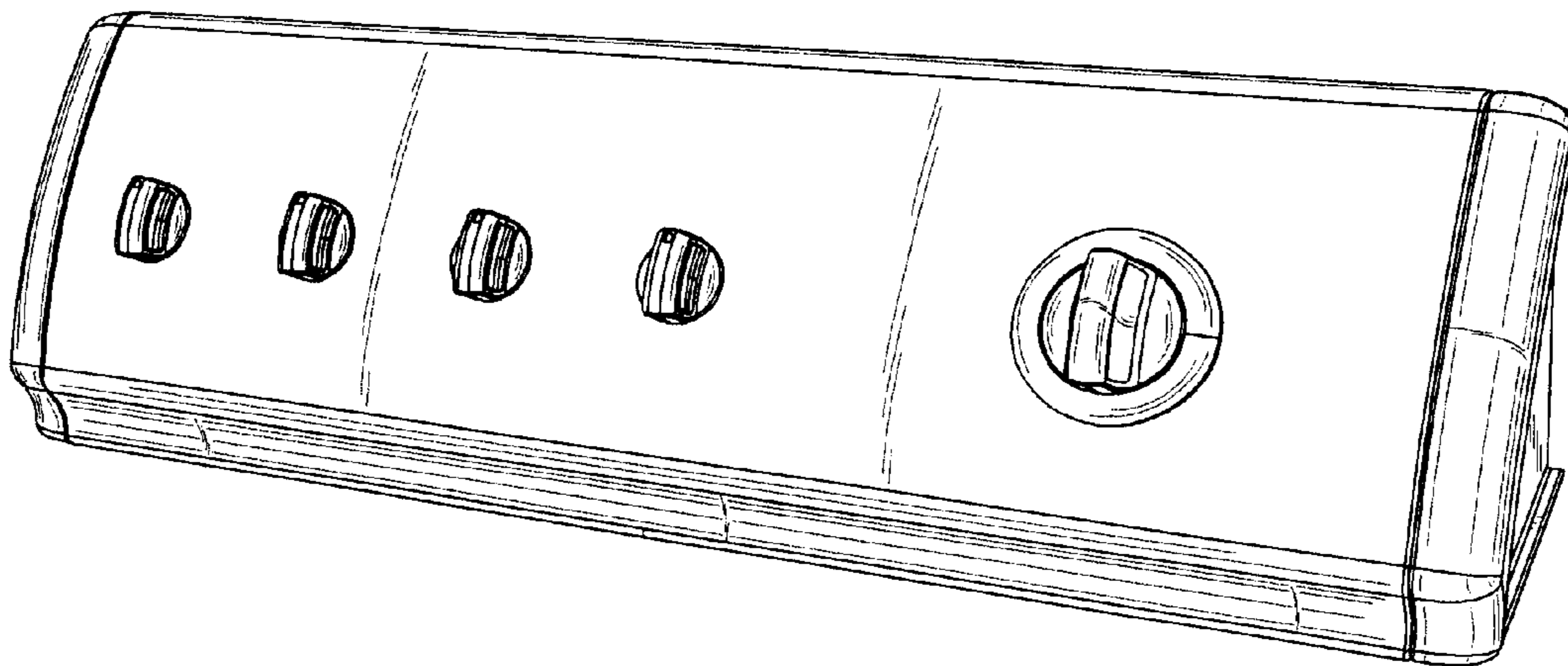
FIG. 2 is a front elevational view thereof;

FIG. 3 is a top plan view thereof; and,

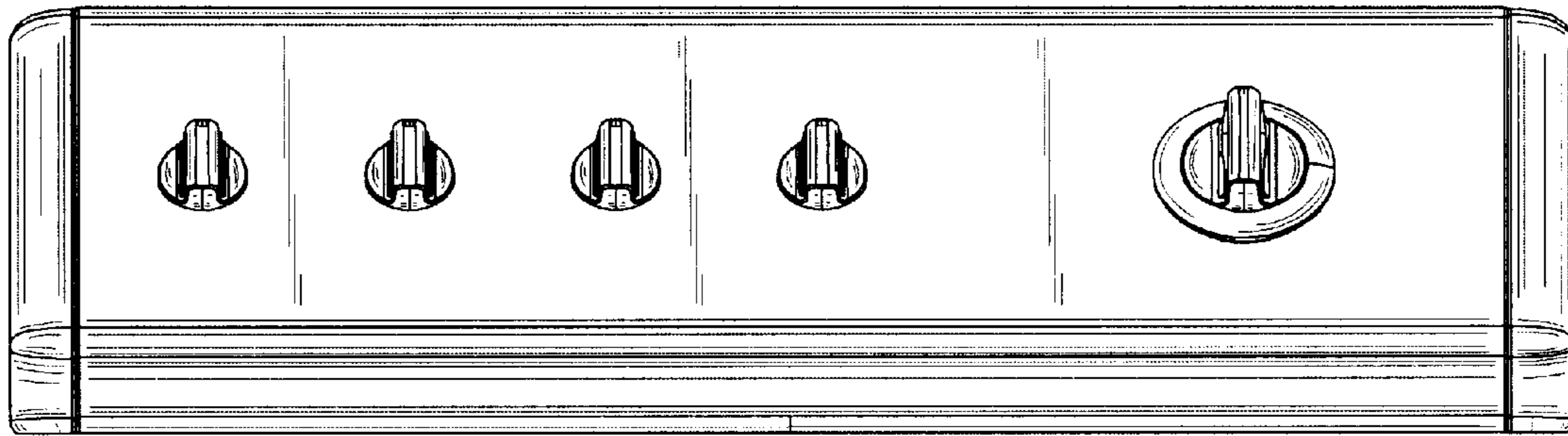
FIG. 4 is a right side elevational view with the left side being a mirror image thereof.

**1 Claim, 2 Drawing Sheets**

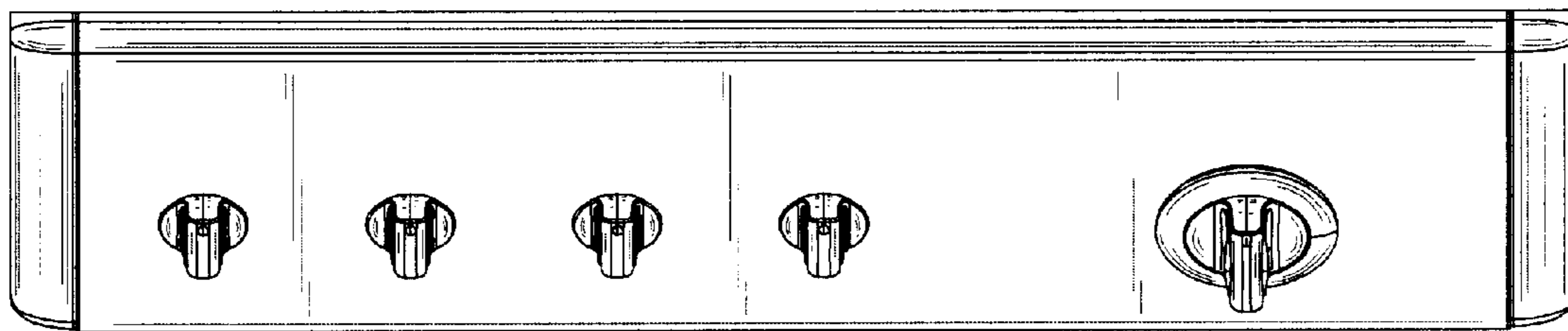




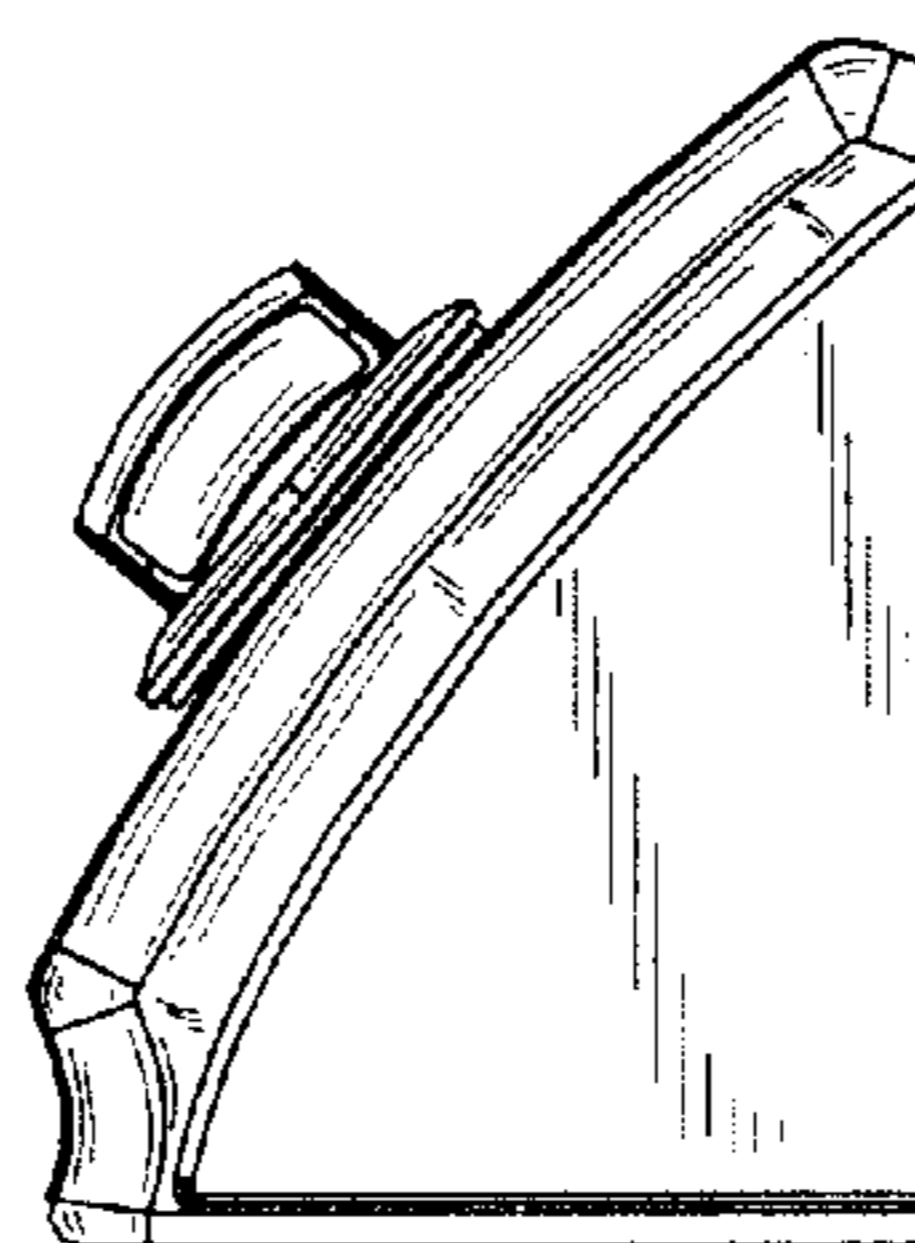
**Fig. 1**



**Fig. 2**



**Fig. 3**



**Fig. 4**