



US00D522192S

(12) **United States Design Patent**
Liu et al.

(10) **Patent No.:** **US D522,192 S**

(45) **Date of Patent:** **** May 30, 2006**

(54) **STEAM CLEANER**

(75) Inventors: **Xing Hao Liu**, Dong Zhou Industry Park, Xidian Town, 315613, Ninghai County, Zhejiang Province (CN); **Li Qiang Peng**, Ninghai (CN)

(73) Assignee: **Xing Hao Liu**, Zhejiang Province (CN)

(**) Term: **14 Years**

(21) Appl. No.: **29/205,061**

(22) Filed: **May 6, 2004**

(30) **Foreign Application Priority Data**

Nov. 29, 2003 (CN) 2003 30 1093472

(51) **LOC (8) Cl.** **15-05**

(52) **U.S. Cl.** **D32/21**

(58) **Field of Classification Search** 15/329, 15/323, 353, 347, 352, 320, 327.1, 327.2, 15/327.3, 327.4, 327.6, 327.7, 321, 344; D32/33, 24, 15, 21, 23, 25, 31, 18, 17; 55/DIG. 3; 68/222; 392/404

See application file for complete search history.

(56) **References Cited**

U.S. PATENT DOCUMENTS

D338,989 S 8/1993 Ambrosiano D32/15
D382,680 S * 8/1997 Meelen D32/21
D388,562 S 12/1997 Doria D32/17
D399,617 S 10/1998 Fujita D32/21
5,857,240 A * 1/1999 Park et al. 15/327.2

D417,046 S 11/1999 Tsuruha et al. D32/21
D445,973 S 7/2001 Chen D32/21
6,295,691 B1 * 10/2001 Chen 15/321
D452,594 S * 12/2001 Rosa D32/21
D455,529 S * 4/2002 Wu D32/21
D471,682 S 3/2003 Chen D32/21
D473,025 S * 4/2003 Simmons D32/17
D485,651 S 1/2004 Lin D32/17
D486,279 S 2/2004 Chen D32/17
D489,499 S * 5/2004 Buzzi D32/17
D493,586 S * 7/2004 Choi D32/21
D499,517 S * 12/2004 Chen D32/17
D505,526 S * 5/2005 Tsen D32/21

* cited by examiner

Primary Examiner—Louis S. Zarfaz

Assistant Examiner—Kathleen Sims

(74) *Attorney, Agent, or Firm*—Lumen Intellectual Property Services, Inc.

(57) **CLAIM**

The ornamental design for a steam cleaner, as shown and described.

DESCRIPTION

FIG. 1 is a right side view of a steam cleaner showing my new design.

FIG. 2 is a front view of the embodiment of FIG. 1.

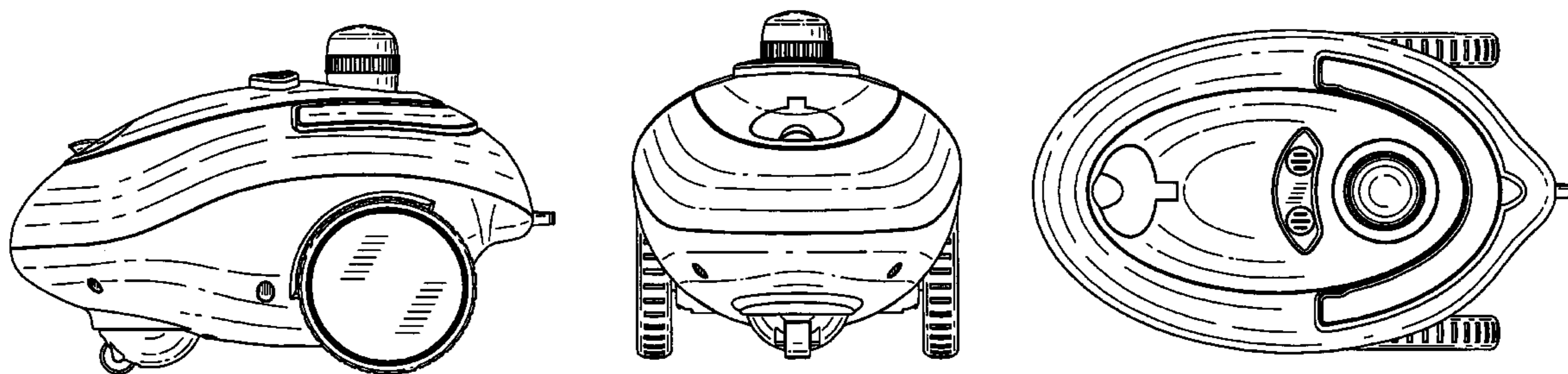
FIG. 3 is a back view of the embodiment of FIG. 1.

FIG. 4 is a top view of the embodiment of FIG. 1.

FIG. 5 is a bottom view of the embodiment of FIG. 1; and,

FIG. 6 is a left side view of the embodiment of FIG. 1.

1 Claim, 6 Drawing Sheets



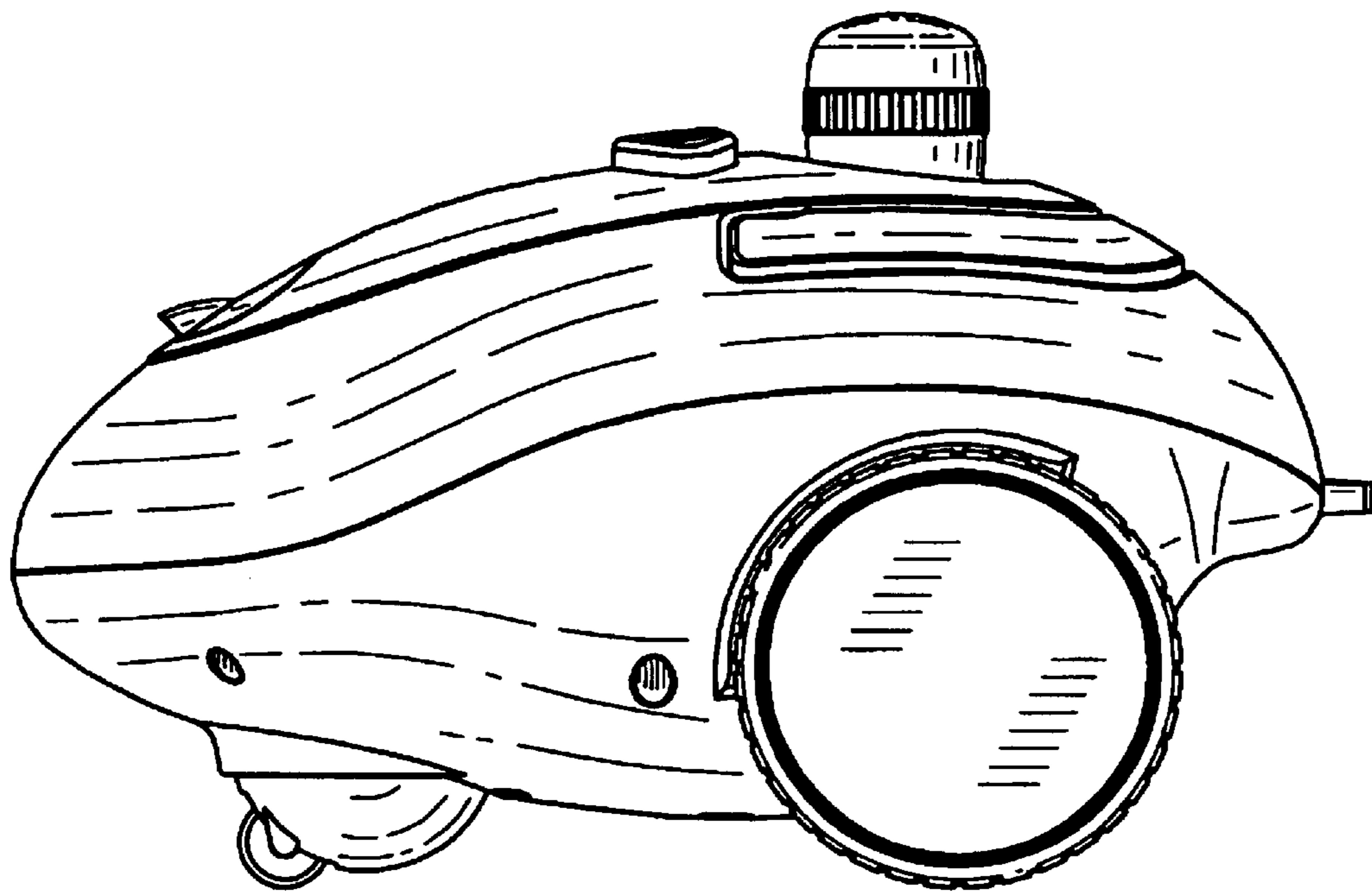


FIG. 1

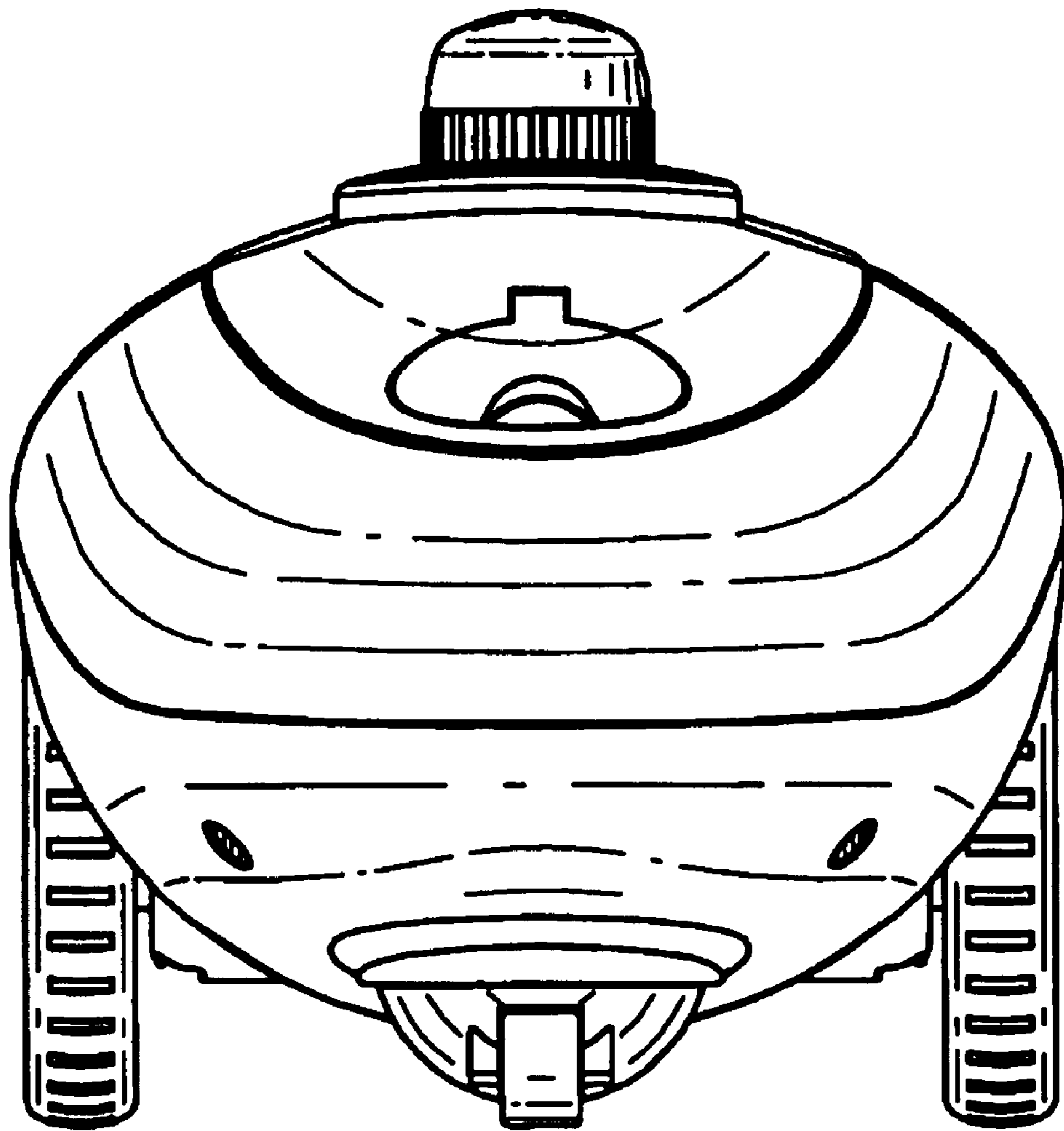


FIG. 2

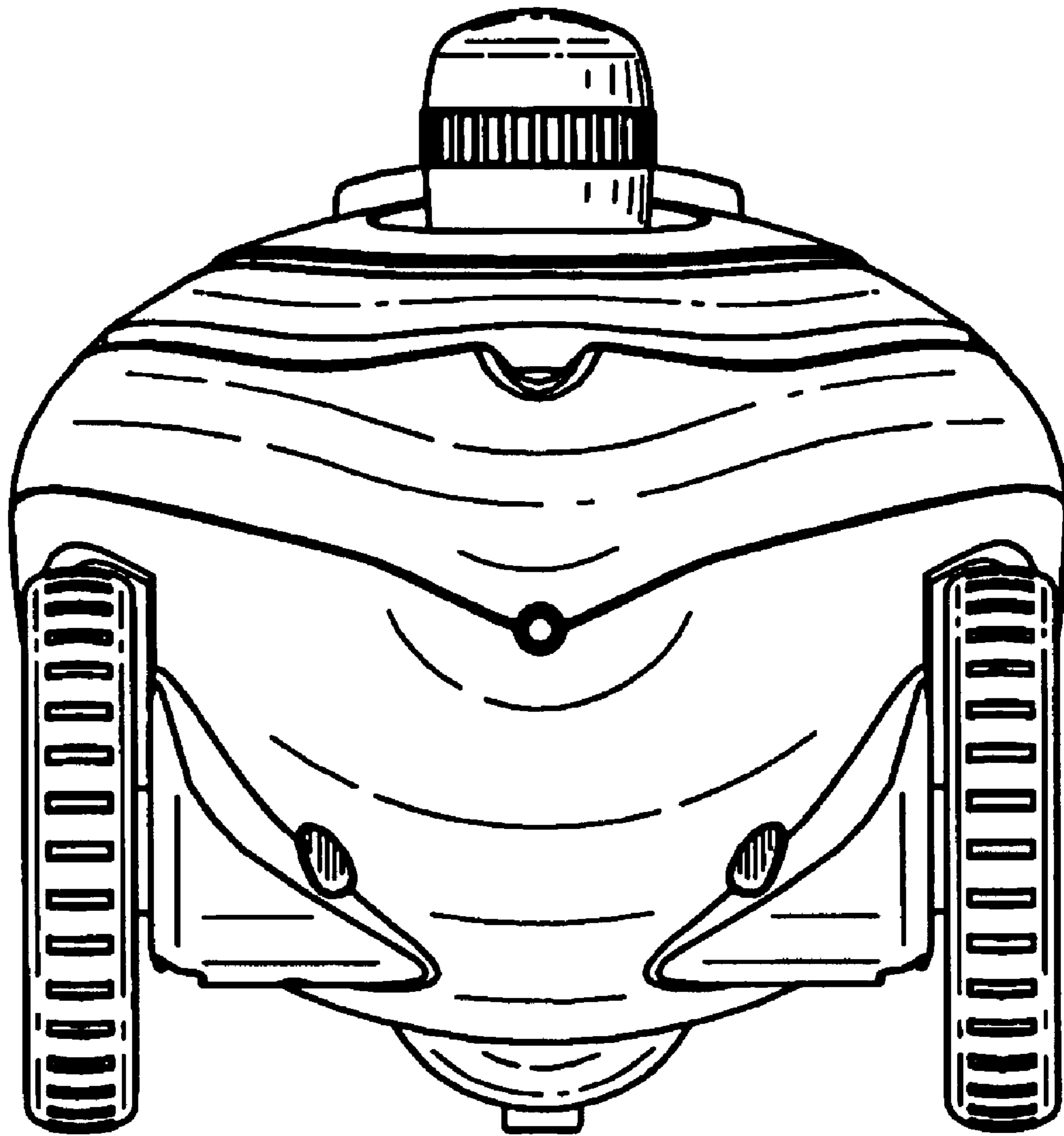


FIG. 3

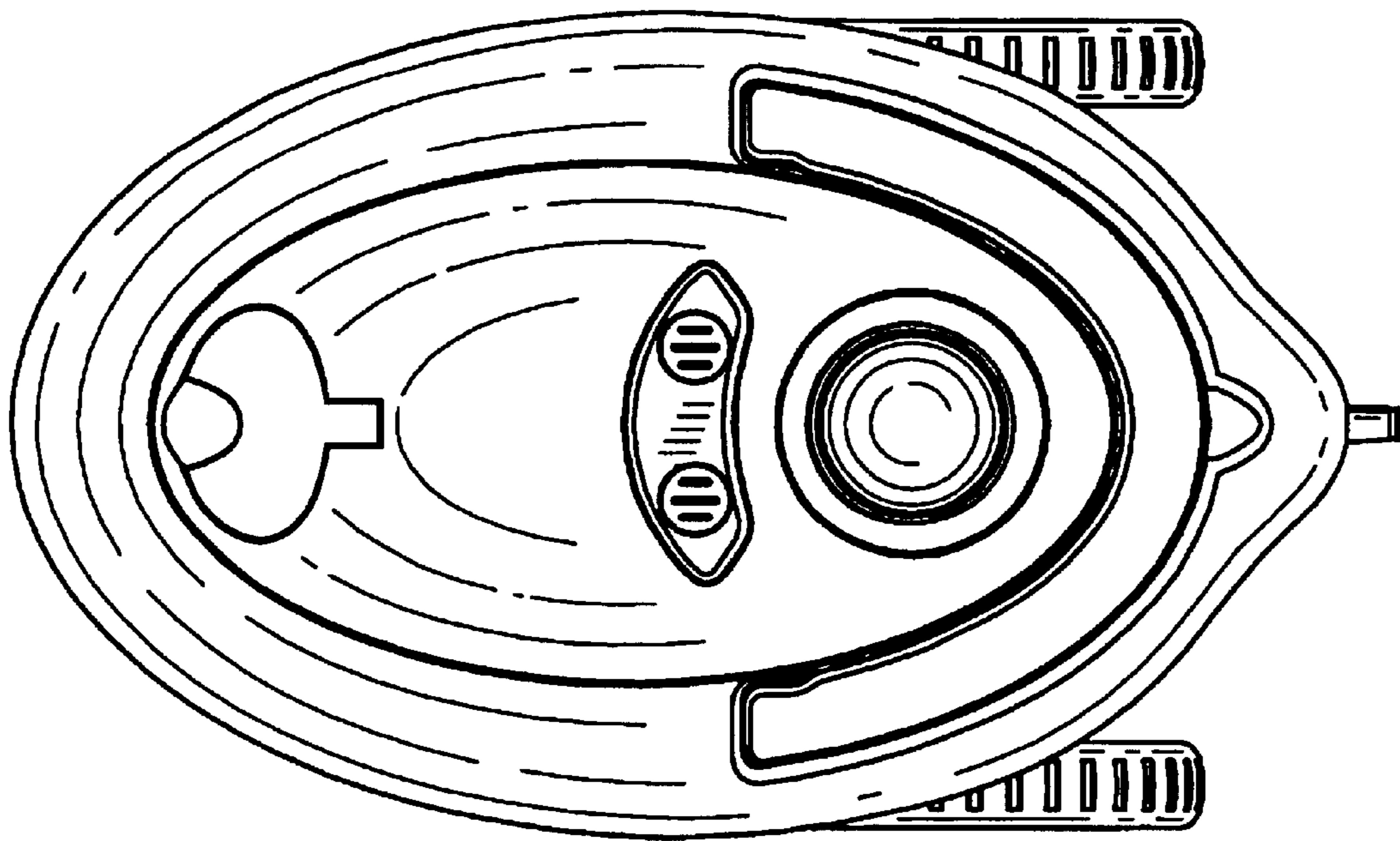


FIG. 4

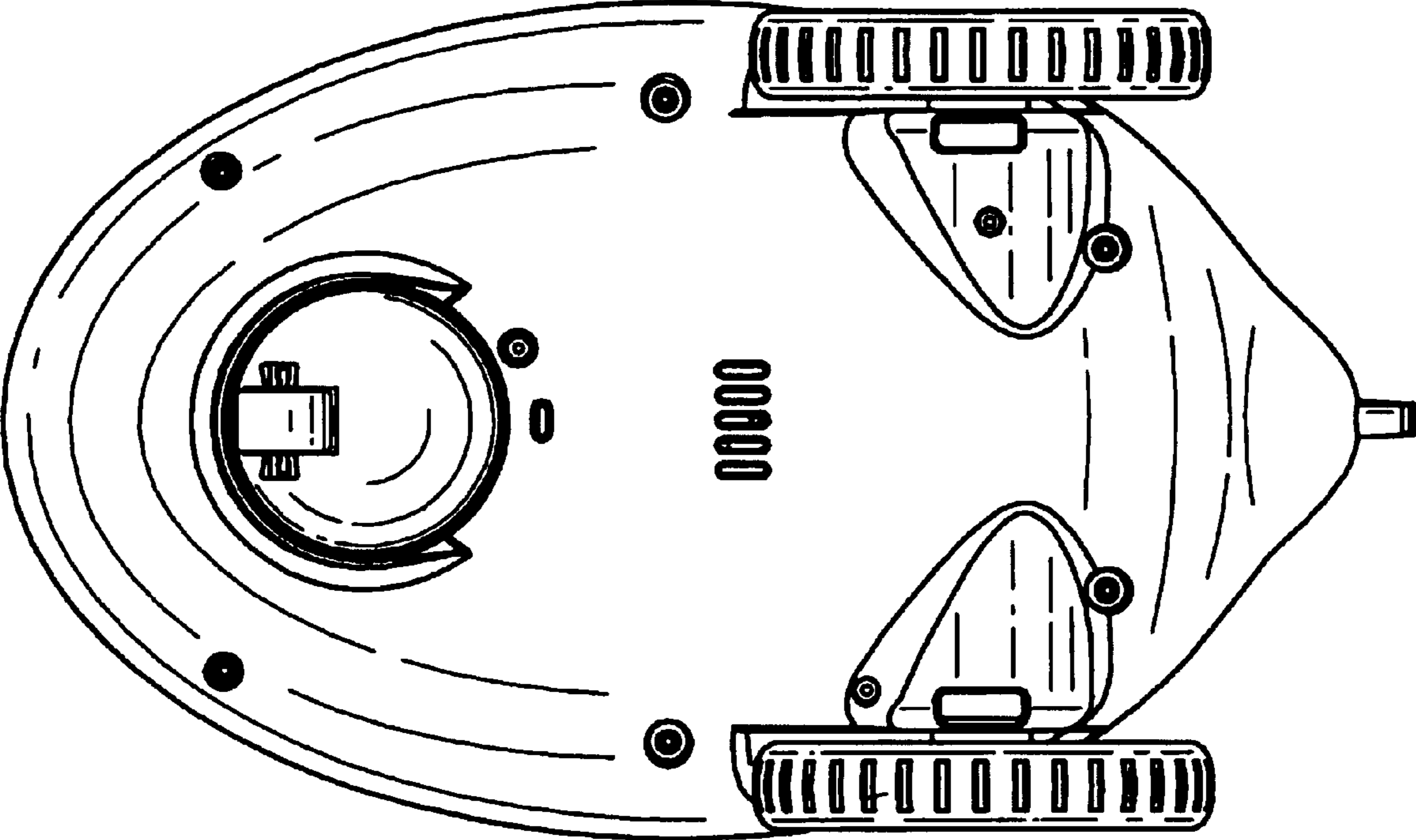


FIG. 5

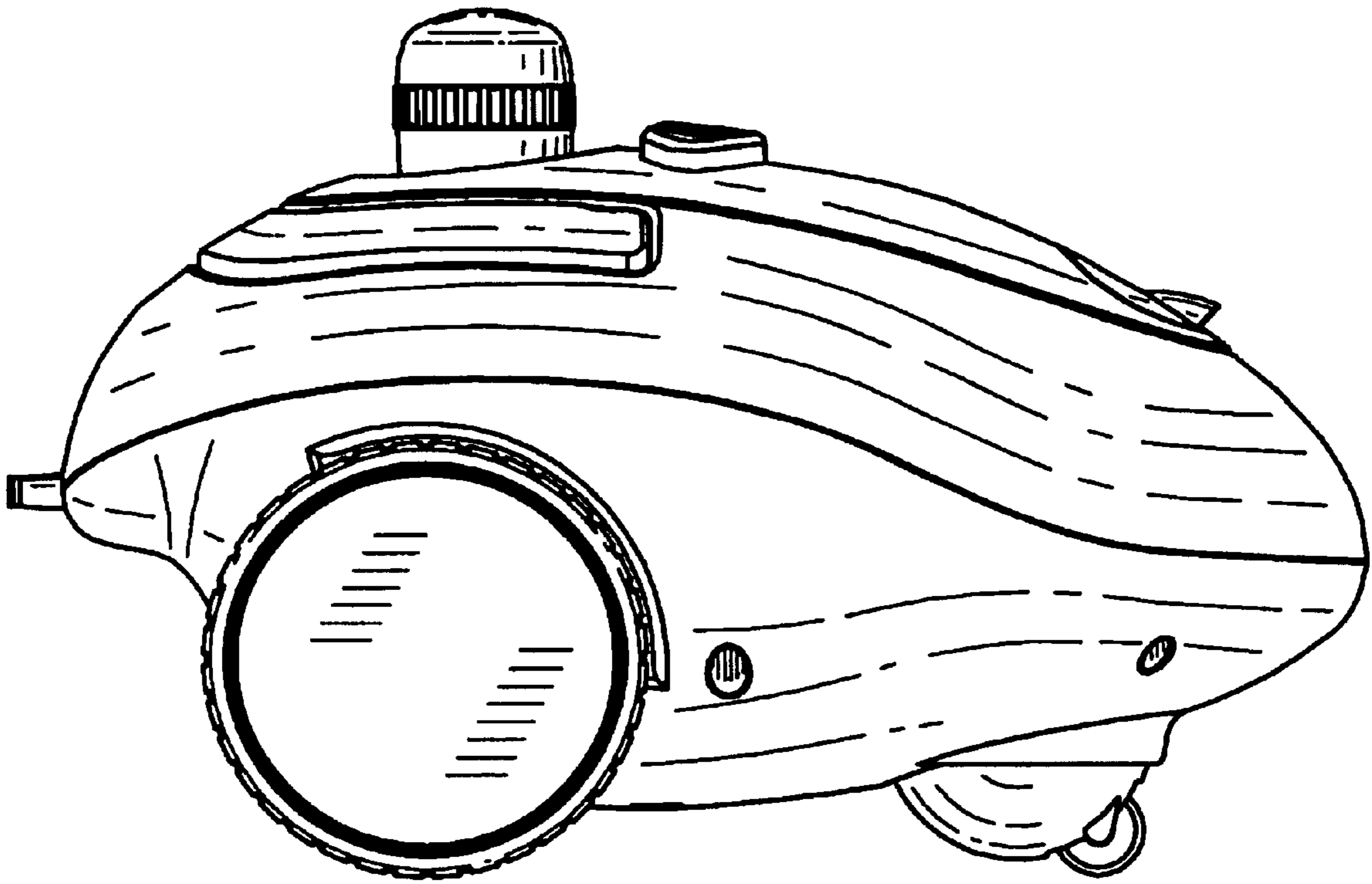


FIG. 6