



US00D522189S

(12) **United States Design Patent** (10) **Patent No.:** **US D522,189 S**  
**McClaskey** (45) **Date of Patent:** **\*\* May 30, 2006**

(54) **TOILET PLUNGER**

D496,230 S \* 9/2004 Germany ..... D7/688  
2001/0011398 A1 \* 8/2001 Luoma ..... 15/104.33

(76) Inventor: **David R. McClaskey**, 38 Ravens Point,  
Lake, St. Louis, MO (US) 63367

**FOREIGN PATENT DOCUMENTS**

(\*\*) Term: **14 Years**

GB 2196089 4/1988  
GB 2281112 2/1995

(21) Appl. No.: **29/232,755**

\* cited by examiner

(22) Filed: **Jun. 23, 2005**

*Primary Examiner*—Louis S. Zarfes  
*Assistant Examiner*—Kathleen Sims

(51) **LOC (8) Cl.** ..... **15-05**

(74) *Attorney, Agent, or Firm*—Grace J. Fishel

(52) **U.S. Cl.** ..... **D32/14**

(58) **Field of Classification Search** ..... D32/1,  
D32/14, 40; 15/104.001, 104.03, 104.04,  
15/104.05, 104.09; 134/22, 166 C, 167 C,  
134/168 C, 168 R; 4/255, 255.01, 255.07;  
137/242, 15.07

(57) **CLAIM**

The ornamental design for a toilet plunger, as shown and described.

See application file for complete search history.

**DESCRIPTION**

(56) **References Cited**

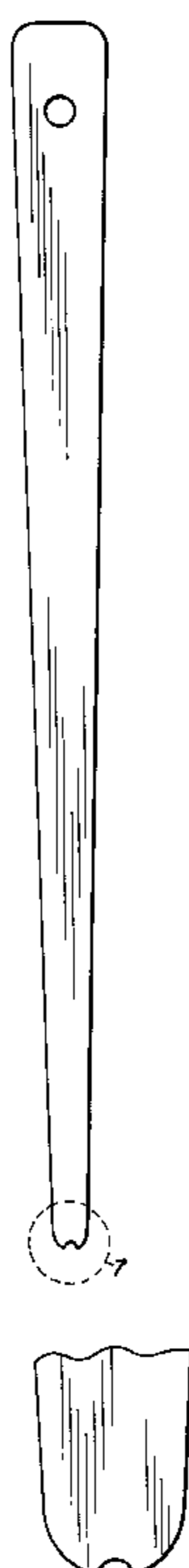
**U.S. PATENT DOCUMENTS**

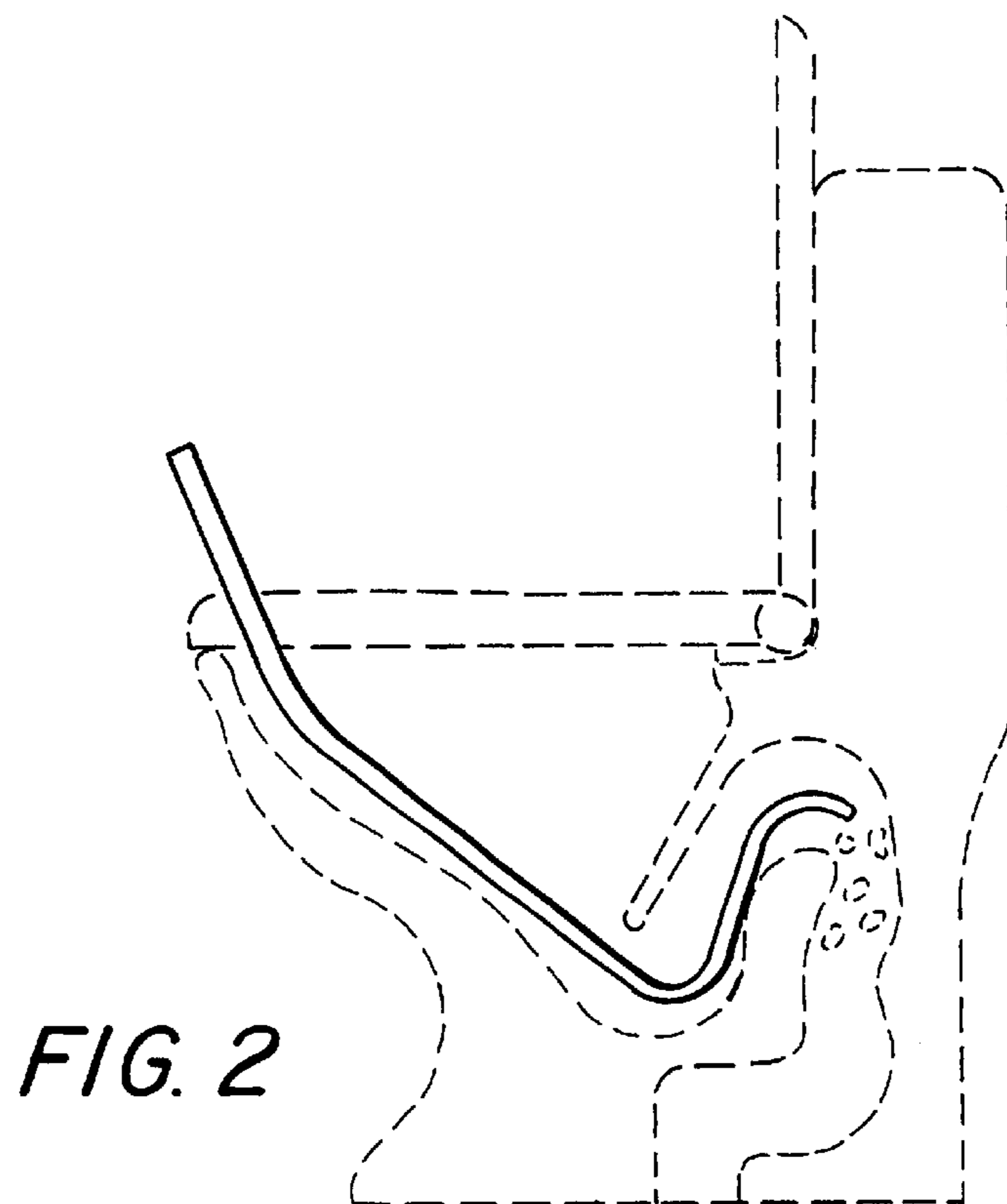
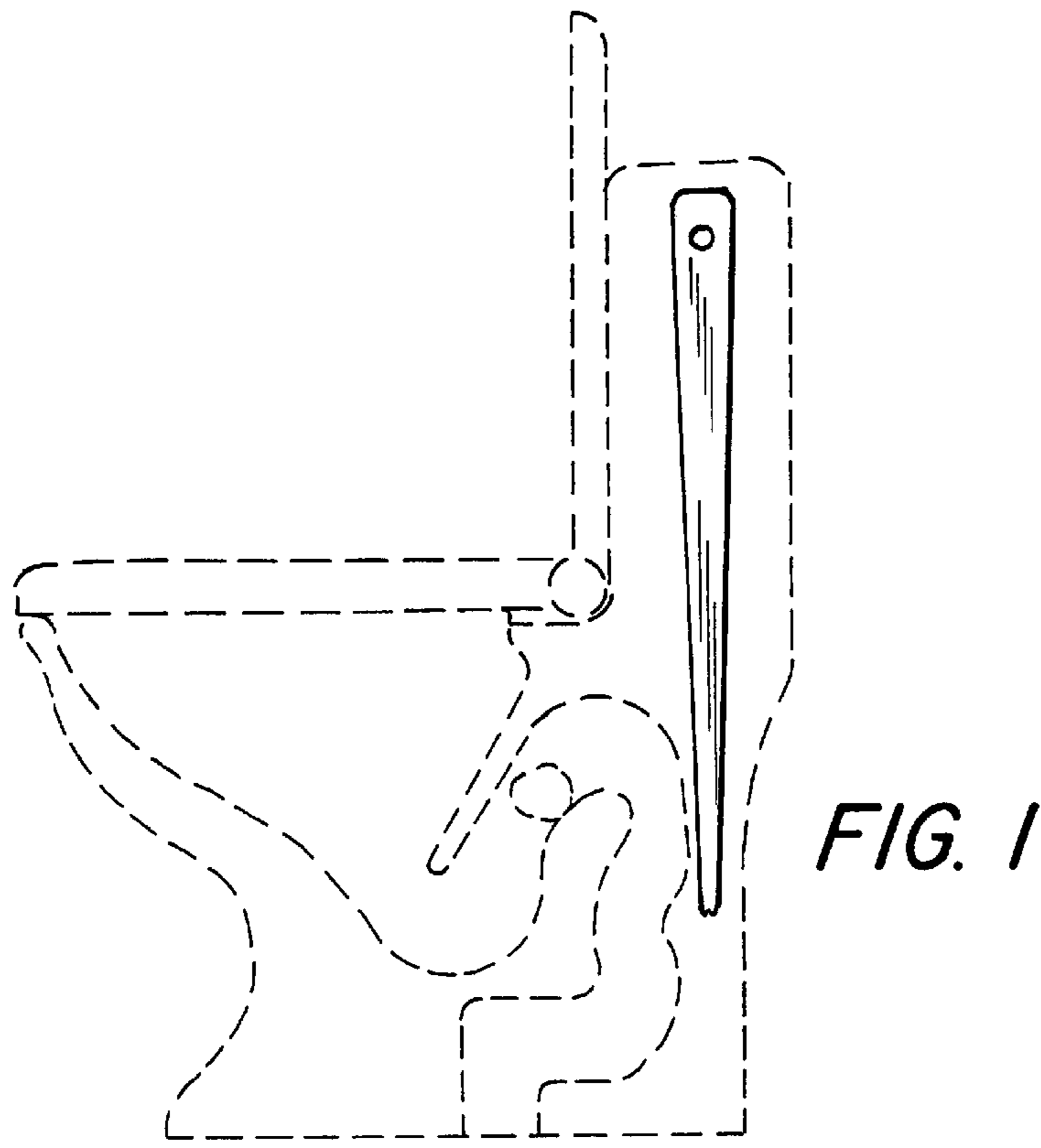
267,306 A	11/1882	Gall	137/242
1,261,444 A	4/1918	Shied	4/255.01
2,567,923 A	9/1951	Burke	15/104.33
4,358,861 A	11/1982	Sard	4/255
4,882,470 A	* 11/1989	Zenbayashi et al.	219/523
D372,652 S	* 8/1996	Coolman et al.	D8/14
D384,744 S	* 10/1997	Sharma	D24/147
D387,254 S	* 12/1997	Klamm	D8/14
5,769,960 A	6/1998	Nirmel	134/22.11
5,836,032 A	11/1998	Hondo	15/104.32
D441,079 S	* 4/2001	Tipp	D24/147
D458,426 S	* 6/2002	Kovach	D32/35
6,775,873 B1	8/2004	Luoma	15/104.33
6,779,202 B1	8/2004	Allredge	4/255.02

FIG. 1 is a front elevational view of a toilet plunger showing my new design in stored position;  
FIG. 2 is a side elevational view of a toilet plunger showing my new design in use;  
FIG. 3 is a front elevational view thereof on an enlarged scale, the rear being a mirror image of the front;  
FIG. 4 is a right side elevational view thereof on an enlarged scale, the left side being a mirror image of the right side;  
FIG. 5 is a top view thereof on an enlarged scale;  
FIG. 6 is a bottom view thereof on an enlarged scale; and,  
FIG. 7 is a enlarged detail view thereof taken along circle 7 in FIG. 3.

The toilet shown in broken lines in FIGS. 1 and 2 denotes the nature and environmental use of the design and is not part of the design.

**1 Claim, 2 Drawing Sheets**







*FIG. 3*



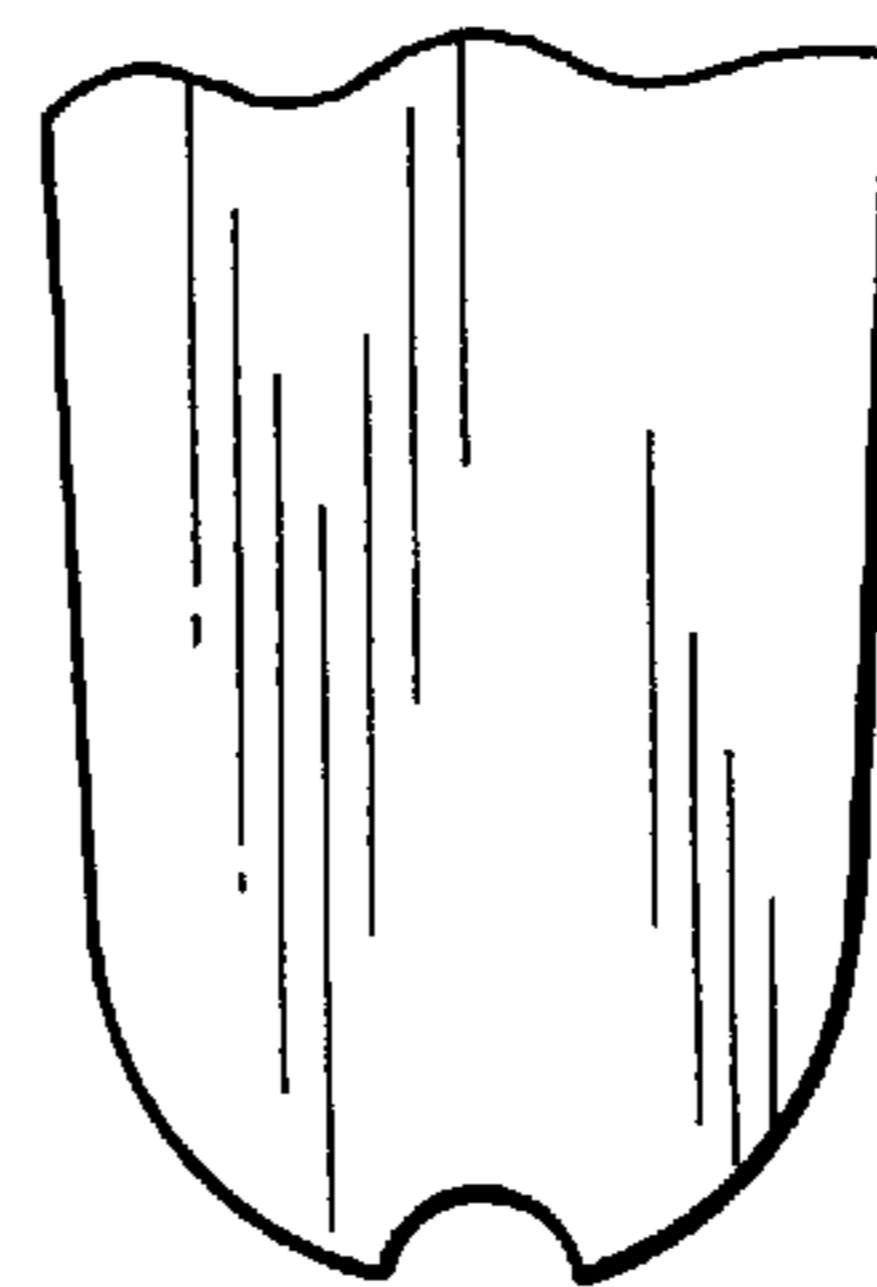
*FIG. 4*



*FIG. 5*



*FIG. 6*



*FIG. 7*