



US00D522185S

(12) **United States Design Patent**
Donegan

(10) **Patent No.:** **US D522,185 S**

(45) **Date of Patent:** **** May 30, 2006**

(54) **BIRDFEEDER**

D308,495 S * 6/1990 Honeycutt D11/145

(75) Inventor: **Robert W. Donegan**, Highlands Ranch,
CO (US)

* cited by examiner

(73) Assignee: **Perky-Pet Products Company, Inc.**,
Lititz, PA (US)

Primary Examiner—Alan P. Douglas

Assistant Examiner—Susan Moon Lee

(74) *Attorney, Agent, or Firm*—Jacobson Holman PLLC

(**) Term: **14 Years**

(57) **CLAIM**

The ornamental design for a birdfeeder, as shown.

(21) Appl. No.: **29/224,493**

DESCRIPTION

(22) Filed: **Mar. 2, 2005**

(51) **LOC (8) Cl.** **30-03**

(52) **U.S. Cl.** **D30/126**

(58) **Field of Classification Search** D30/124–126,
D30/121; D25/15; D11/145; D26/87; 47/17,
47/65.5, 69, 67

See application file for complete search history.

FIG. 1 is a perspective view of a birdfeeder showing my new design;

FIG. 2 is a right side view in elevation of the birdfeeder shown in FIG. 1;

FIG. 3 is a front view in elevation of the birdfeeder shown in FIG. 1 ;

FIG. 4 is a left side view in elevation of the birdfeeder shown in FIG. 1;

FIG. 5 is a back view in elevation of the birdfeeder shown in FIG. 1;

FIG. 6 is a top plan view of the birdfeeder shown in FIG. 1; and,

FIG. 7 is a bottom plan view of the birdfeeder shown in FIG. 1.

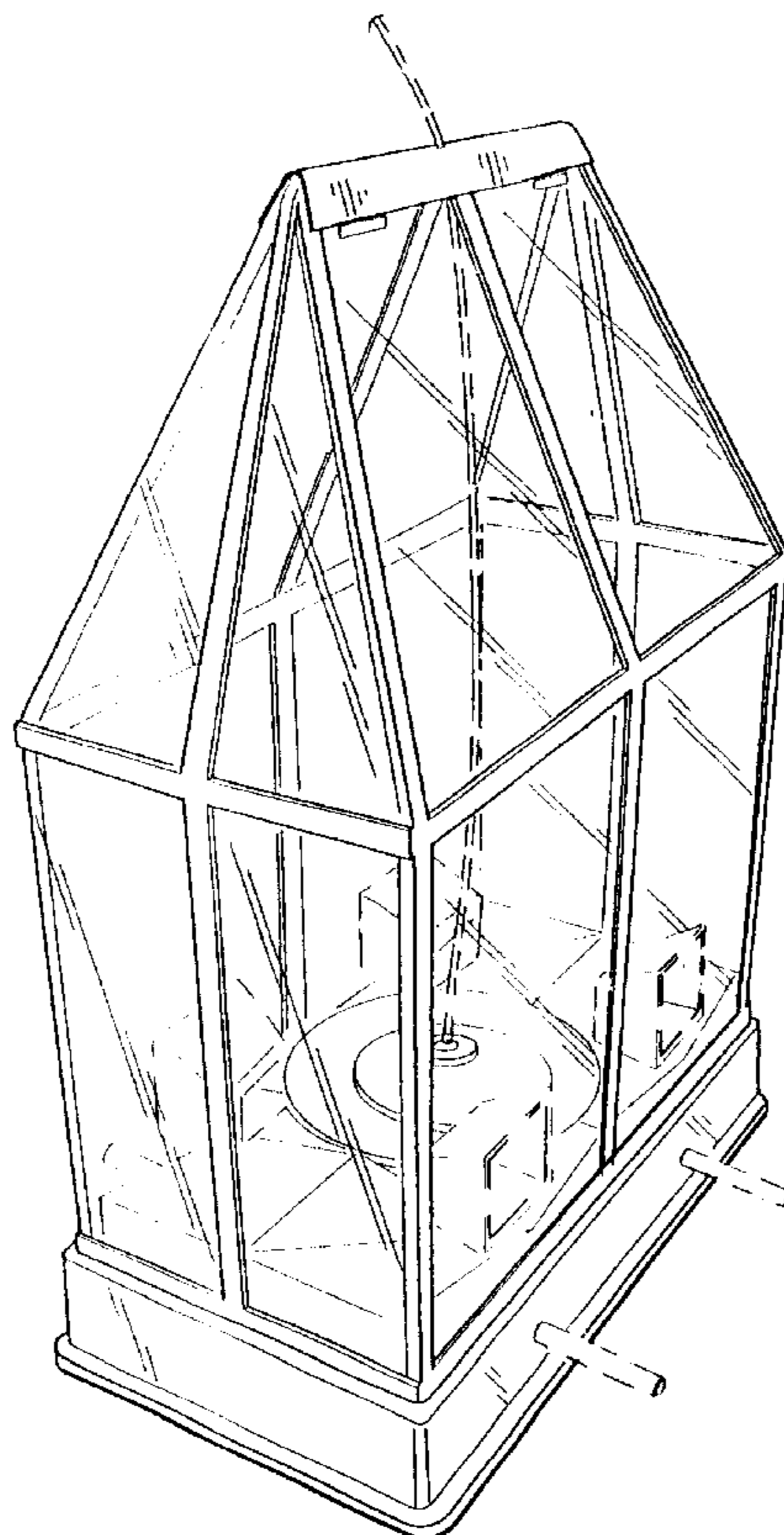
The broken lines in FIGS. 1–7 are for purposes of illustration only and form no part of the claimed design.

(56) **References Cited**

U.S. PATENT DOCUMENTS

2,709,838	A	*	6/1955	Zausner	47/17
D194,109	S	*	11/1962	Dilley	D30/126
D228,360	S	*	9/1973	Sunshine	D11/145
D237,730	S	*	11/1975	Hansen	D11/145
D239,170	S	*	3/1976	Hansen	D25/15
4,335,547	A	*	6/1982	Maxwell	52/66
4,632,061	A	*	12/1986	Tucker et al.	119/57.8
D289,094	S	*	3/1987	Stephen et al.	D30/125

1 Claim, 2 Drawing Sheets



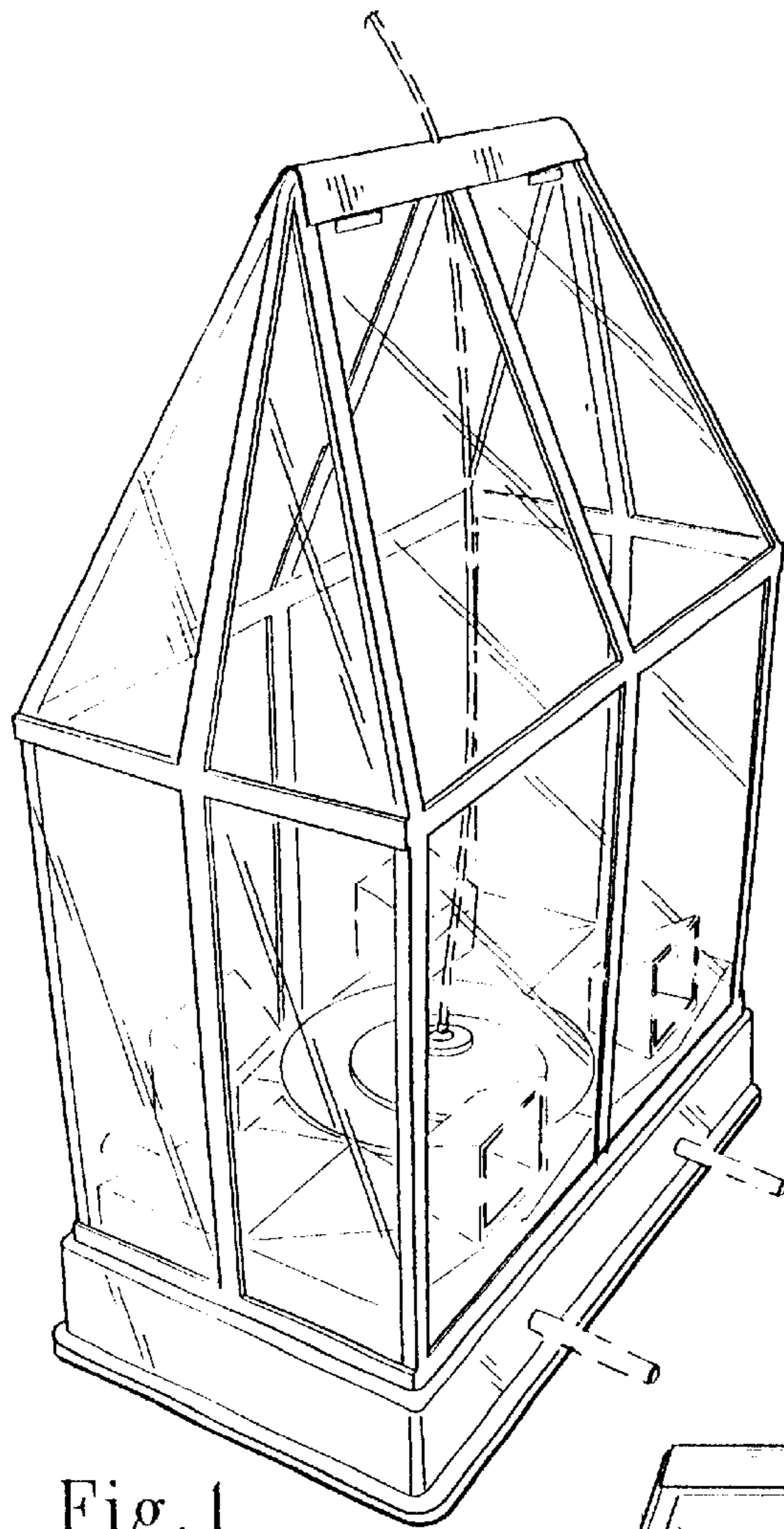


Fig. 1

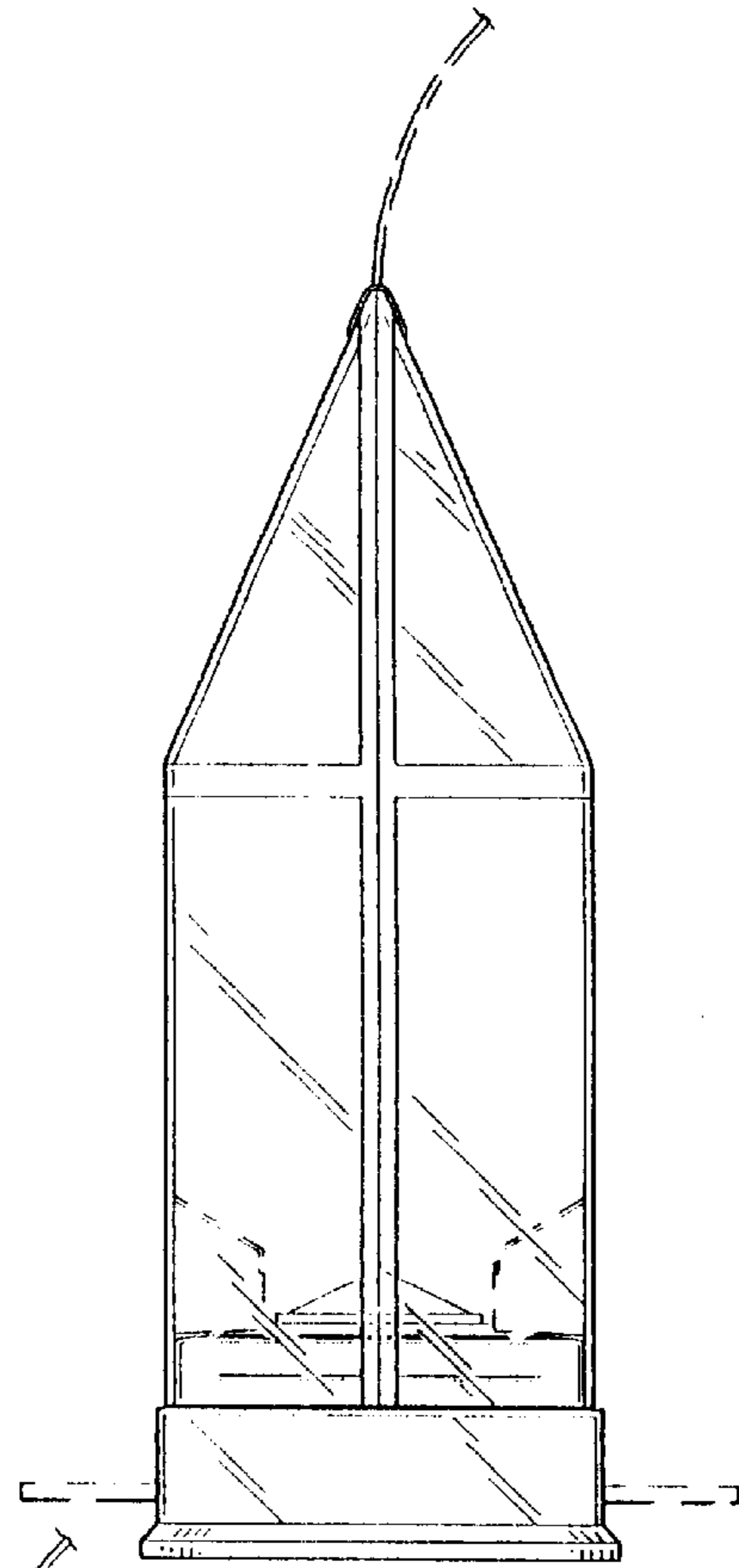


Fig. 2

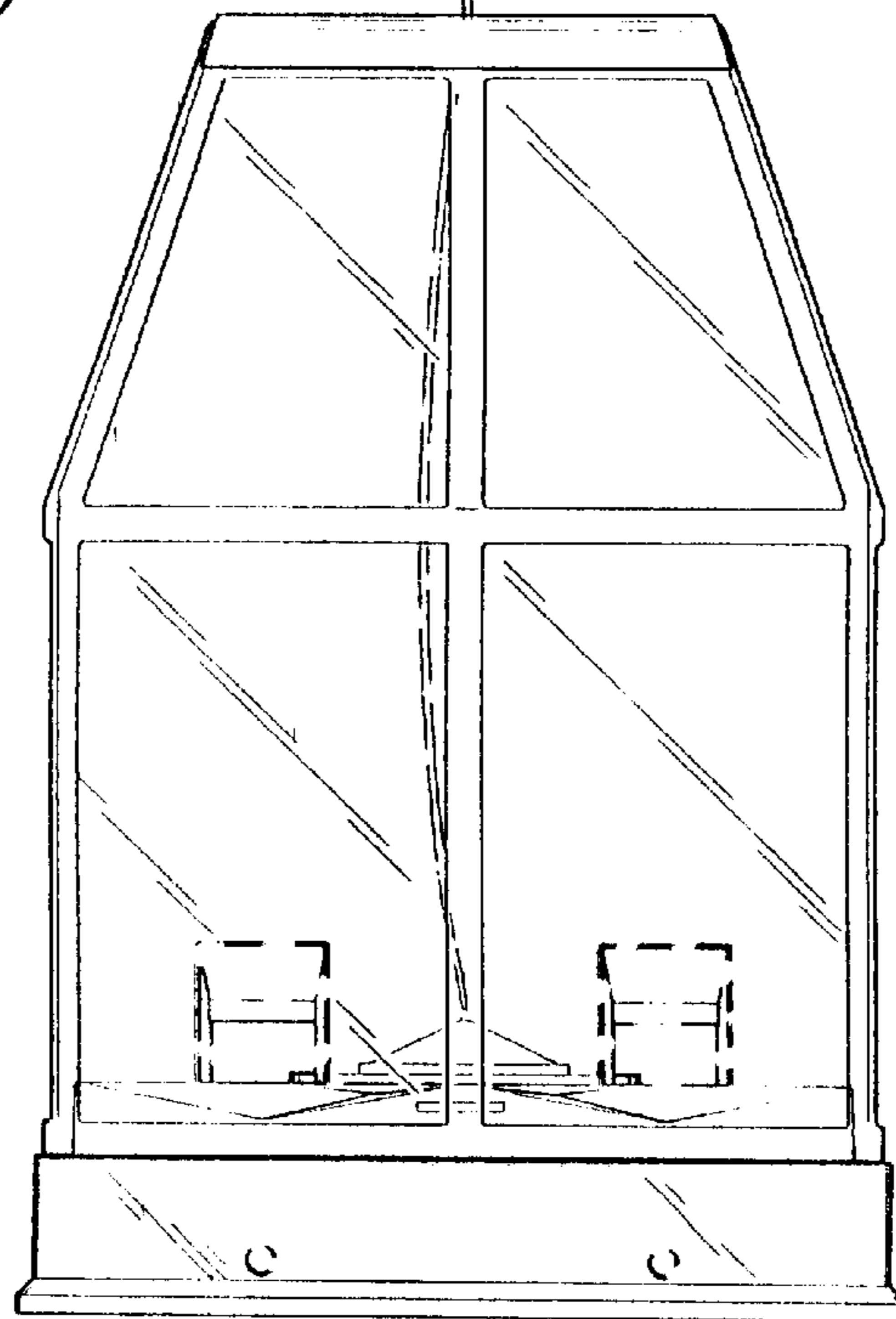


Fig. 3

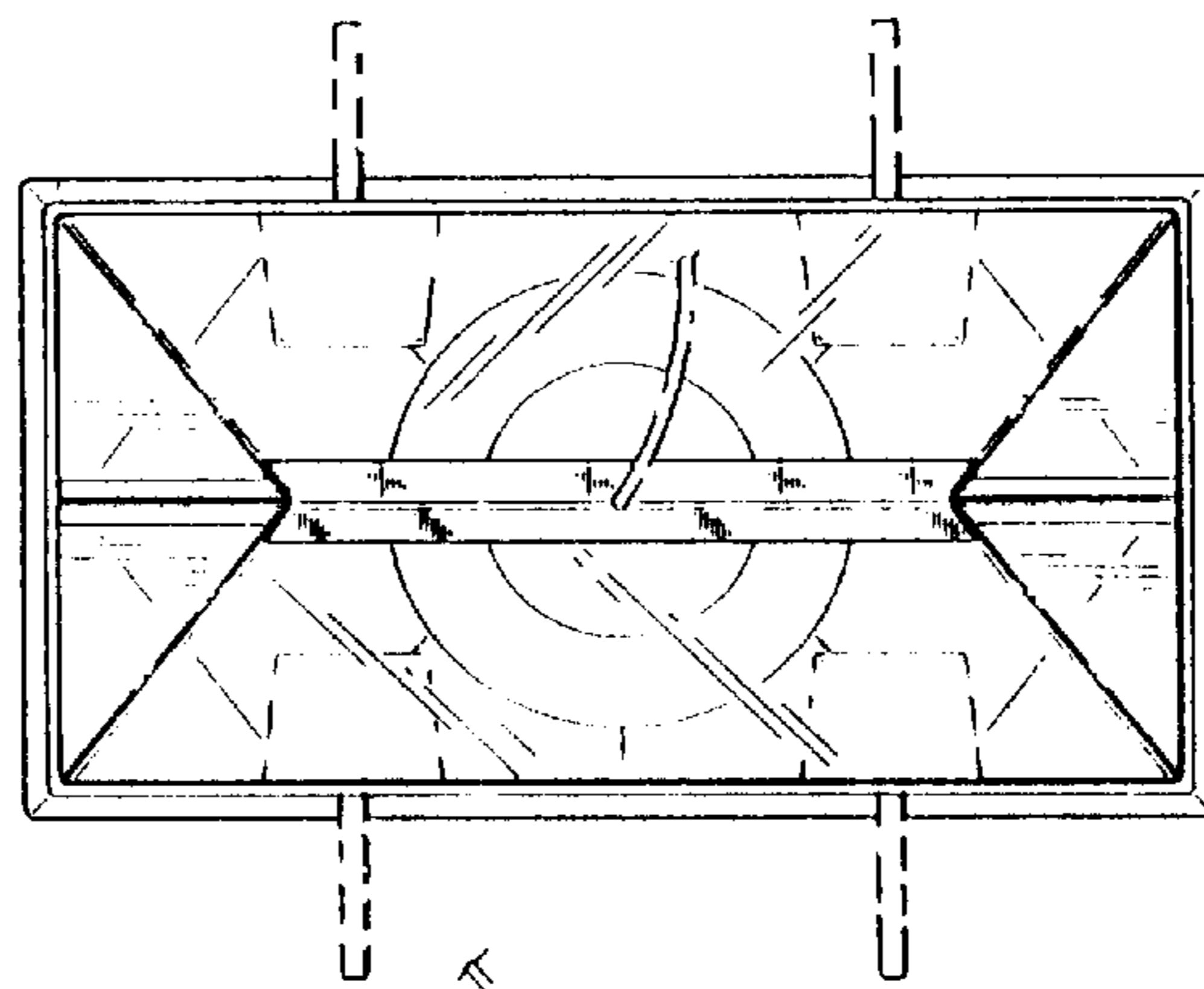


Fig.6

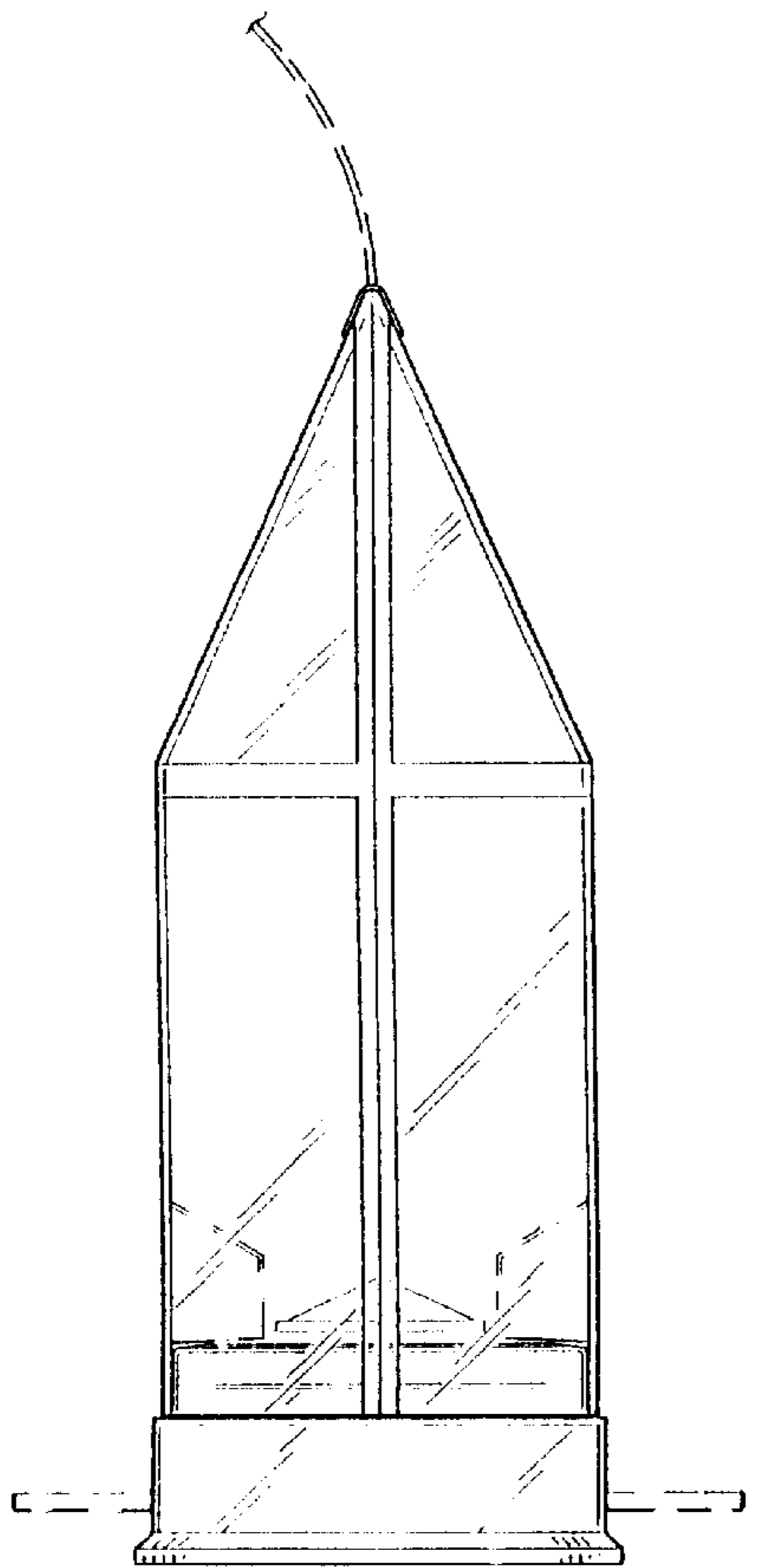


Fig.4

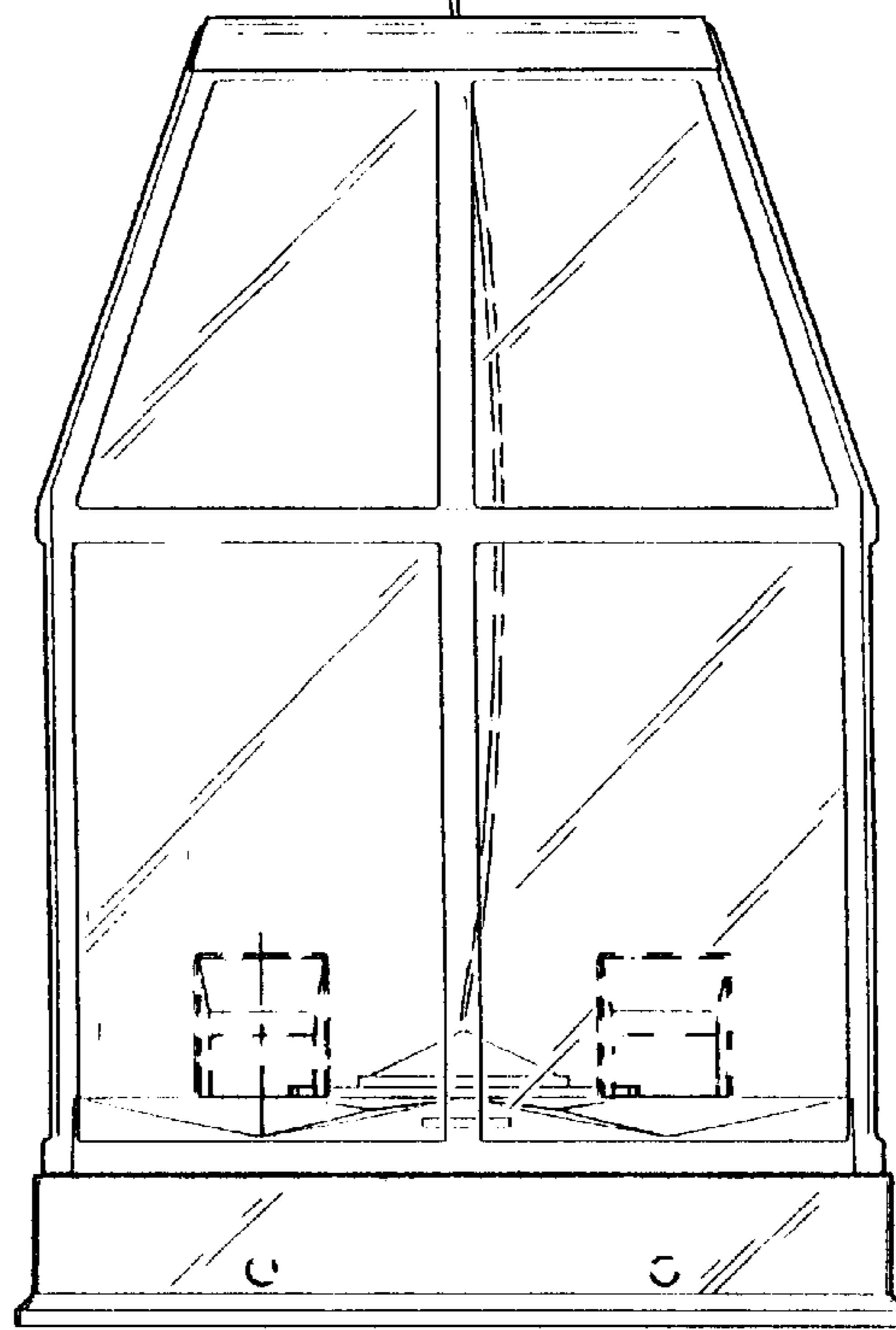


Fig.5

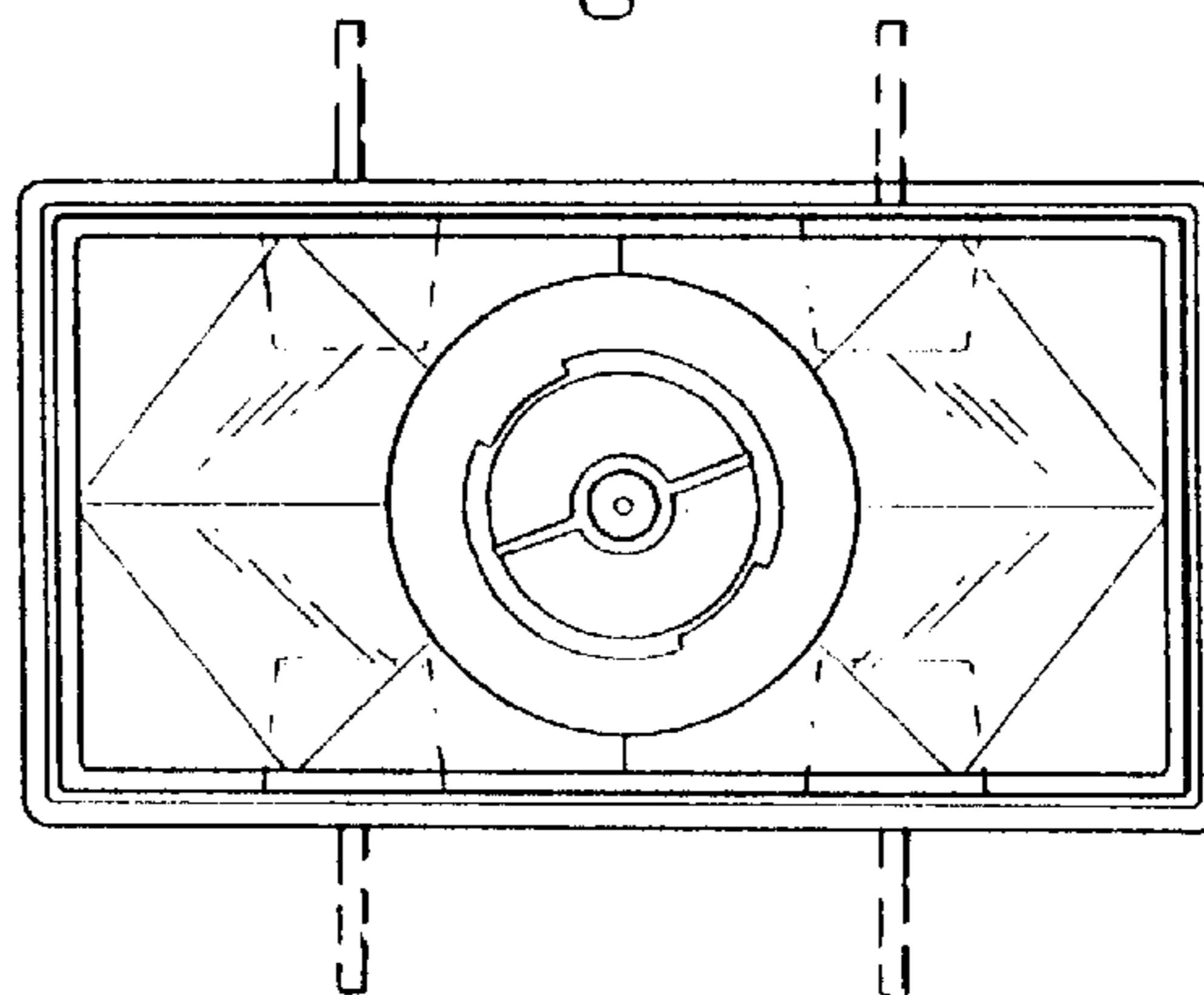


Fig.7