



US00D522184S

(12) **United States Design Patent**
Tippetts

(10) **Patent No.:** **US D522,184 S**

(45) **Date of Patent:** **** May 30, 2006**

(54) **SQUIRREL FEEDER**

(76) Inventor: **Mark W. Tippetts**, 1075 County Road,
782, Mountain Home, AR (US) 72653

(**) Term: **14 Years**

(21) Appl. No.: **29/233,796**

(22) Filed: **Jul. 11, 2005**

Related U.S. Application Data

(62) Division of application No. 29/214,335, filed on Oct. 1,
2004.

(51) **LOC (8) Cl.** **30-07**

(52) **U.S. Cl.** **D30/121**

(58) **Field of Classification Search** D30/121,
D30/124, 127; 119/51.03, 51.01, 52.2, 55
See application file for complete search history.

(56) **References Cited**

U.S. PATENT DOCUMENTS

D295,004 S * 4/1988 Schulz et al. D6/495

D359,146 S * 6/1995 Finch D30/121
D362,784 S * 10/1995 Sperry et al. D7/396.6
D378,706 S * 4/1997 Valentine et al. D30/133
D397,527 S * 8/1998 Bruder et al. D30/121

* cited by examiner

Primary Examiner—Alan P. Douglas

Assistant Examiner—Susan Moon Lee

(74) *Attorney, Agent, or Firm*—Stephen D. Carver

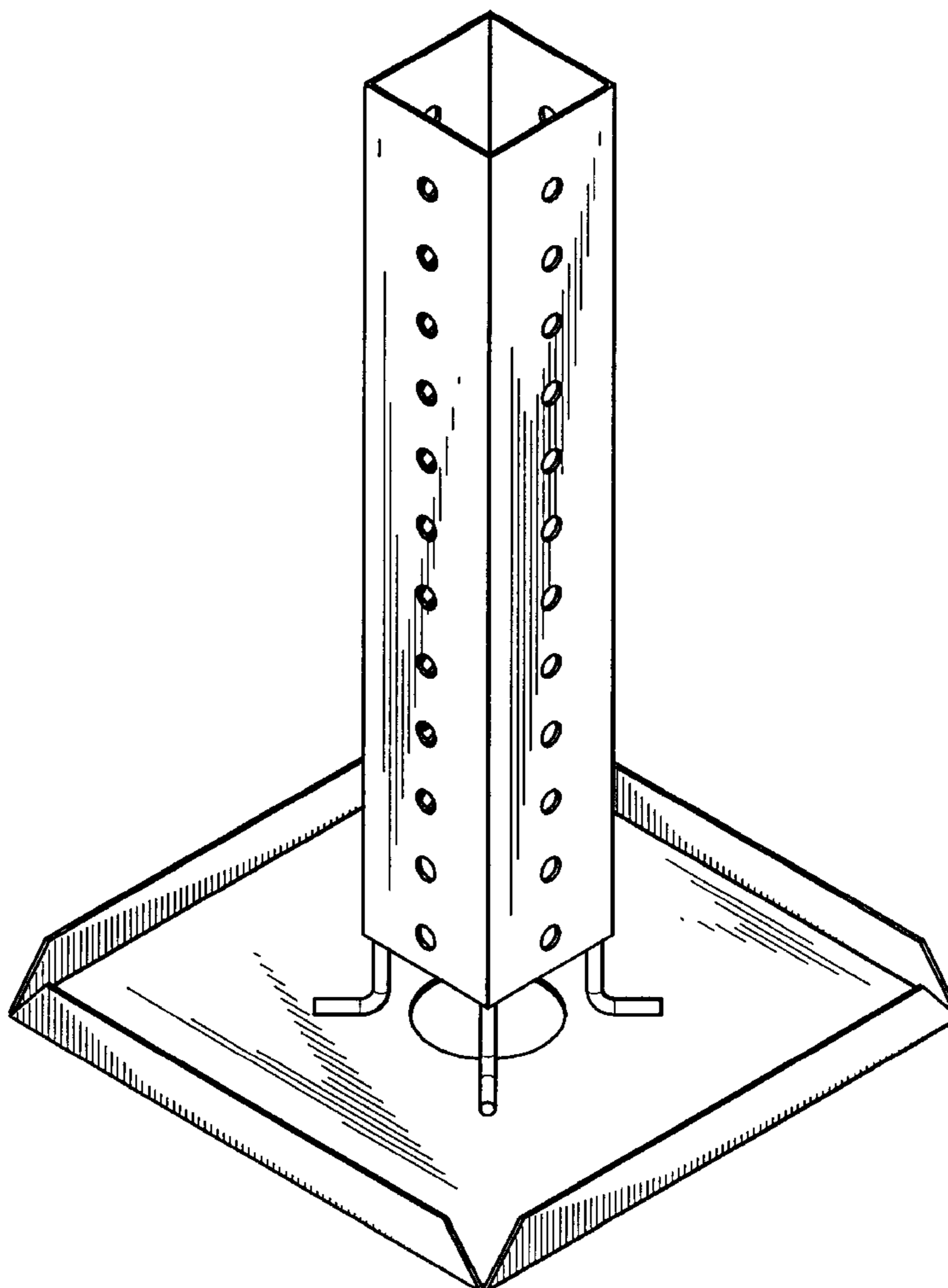
(57) **CLAIM**

The ornamental design for a squirrel feeder, as shown.

DESCRIPTION

FIG. 1 is a frontal isometric view of my squirrel feeder;
FIG. 2 is a bottom isometric view thereof;
FIG. 3 is a left side elevational view thereof;
FIG. 4 is a right side elevational view thereof;
FIG. 5 is a top plan view thereof; and,
FIG. 6 is a bottom plan view thereof.

1 Claim, 6 Drawing Sheets



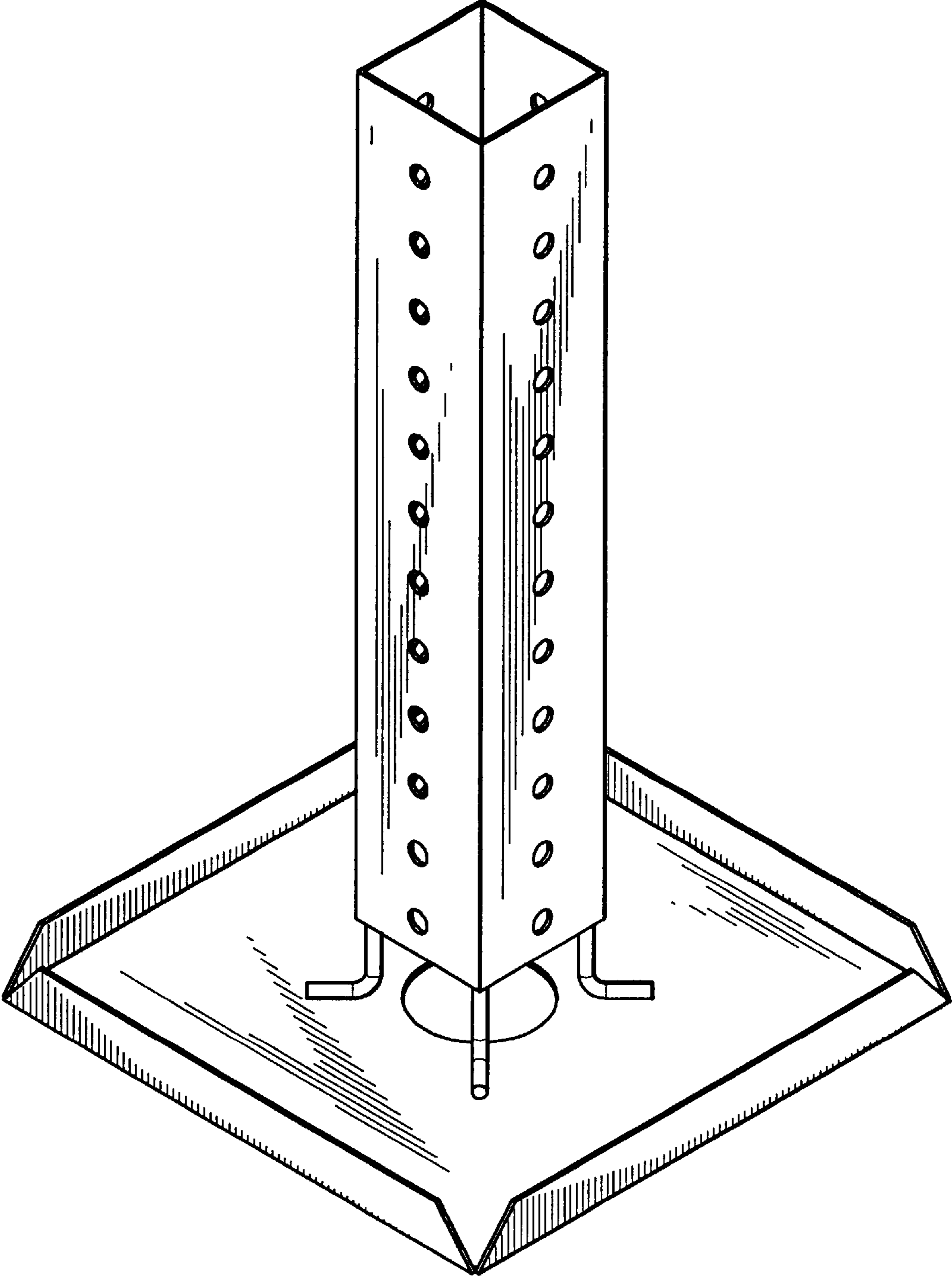


Fig. 1

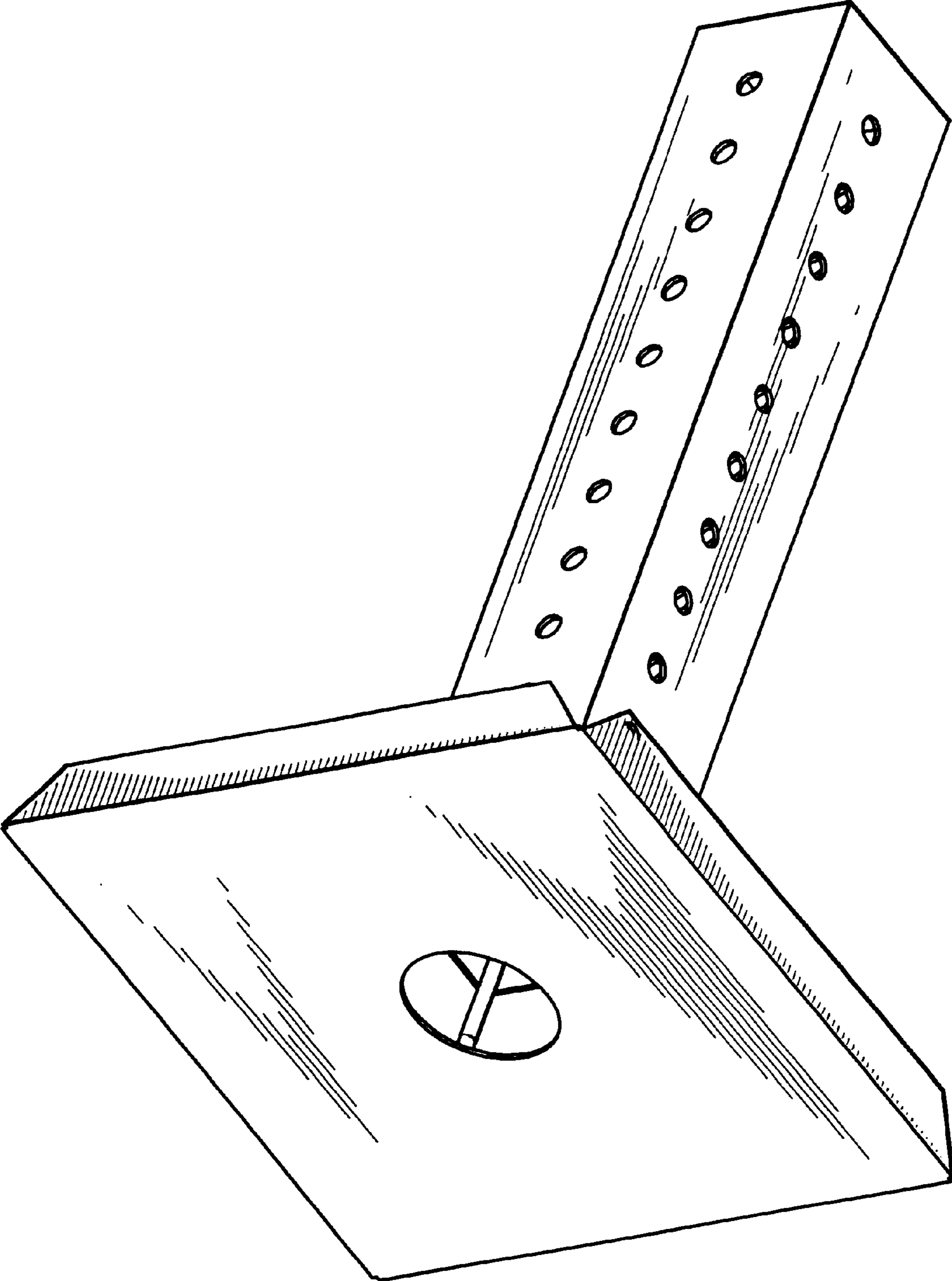


Fig. 2

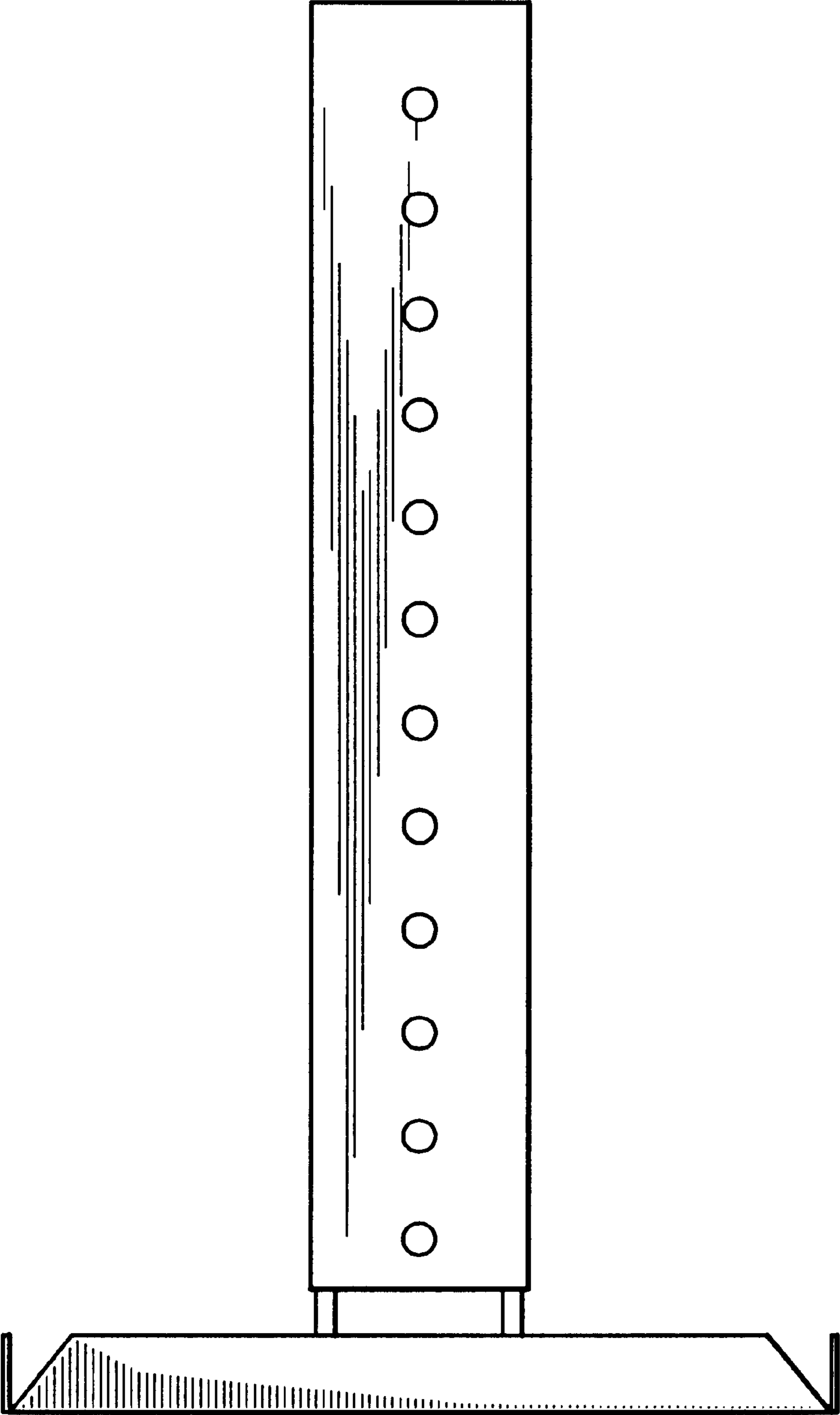


Fig. 3

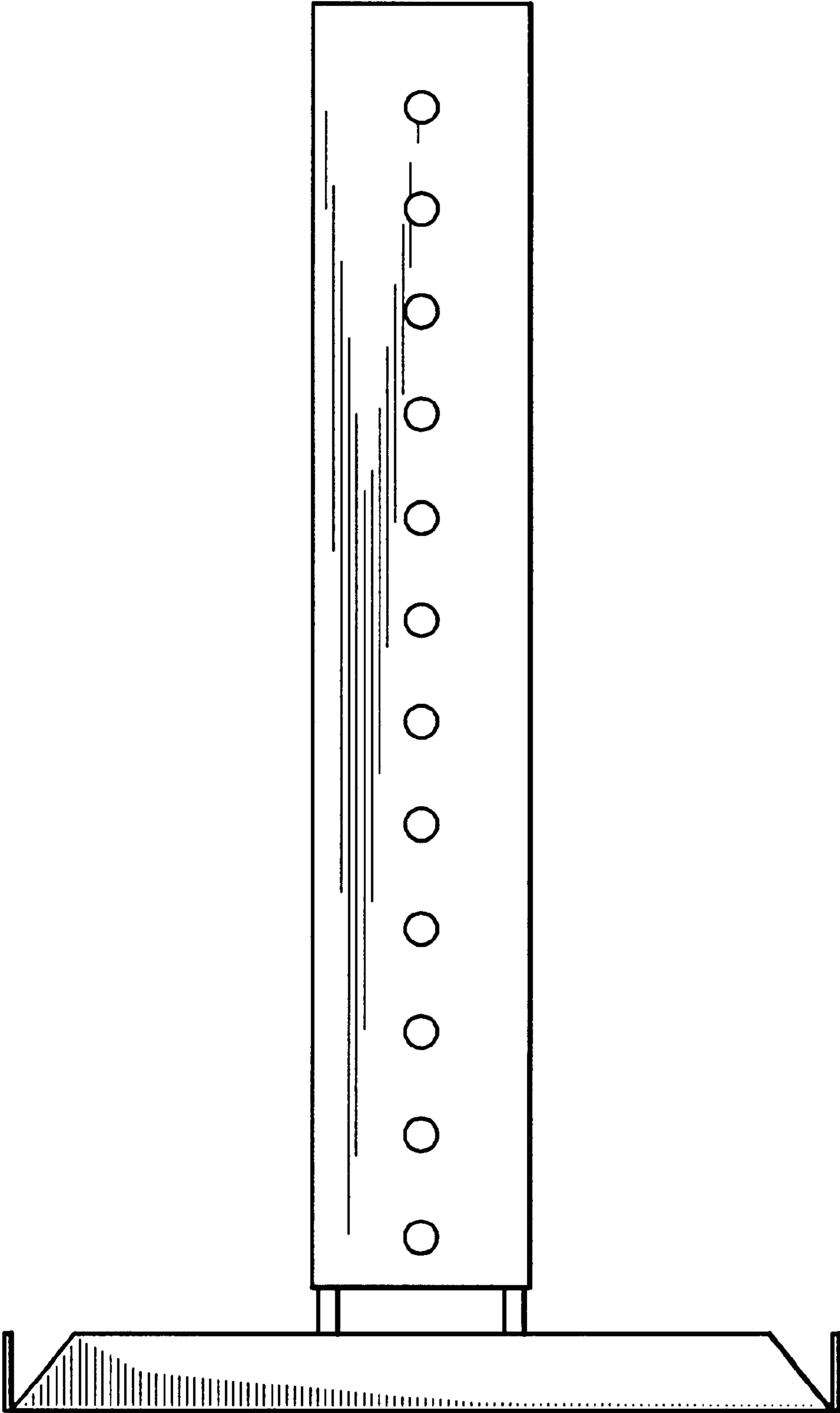


Fig. 4

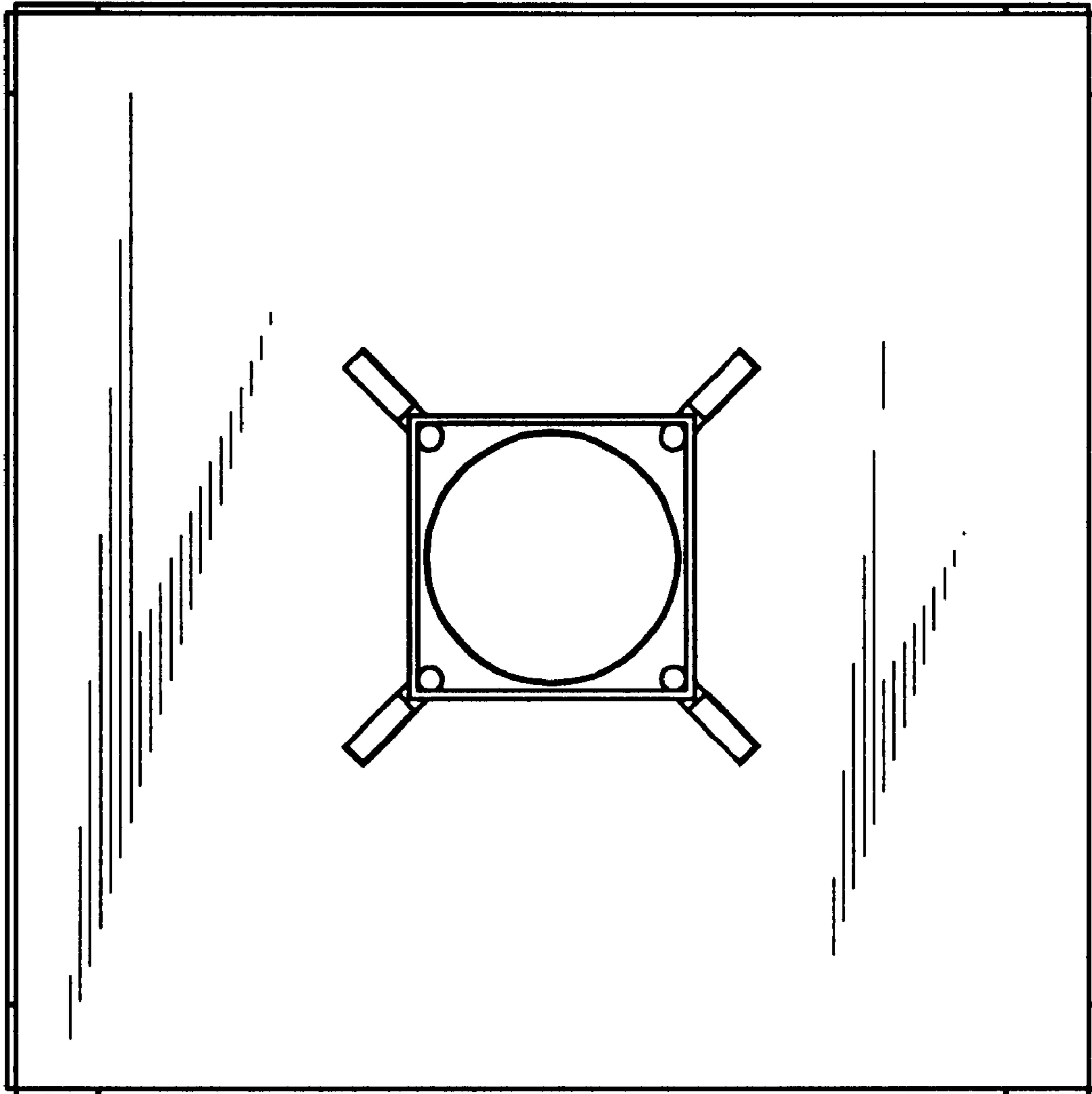


Fig. 5

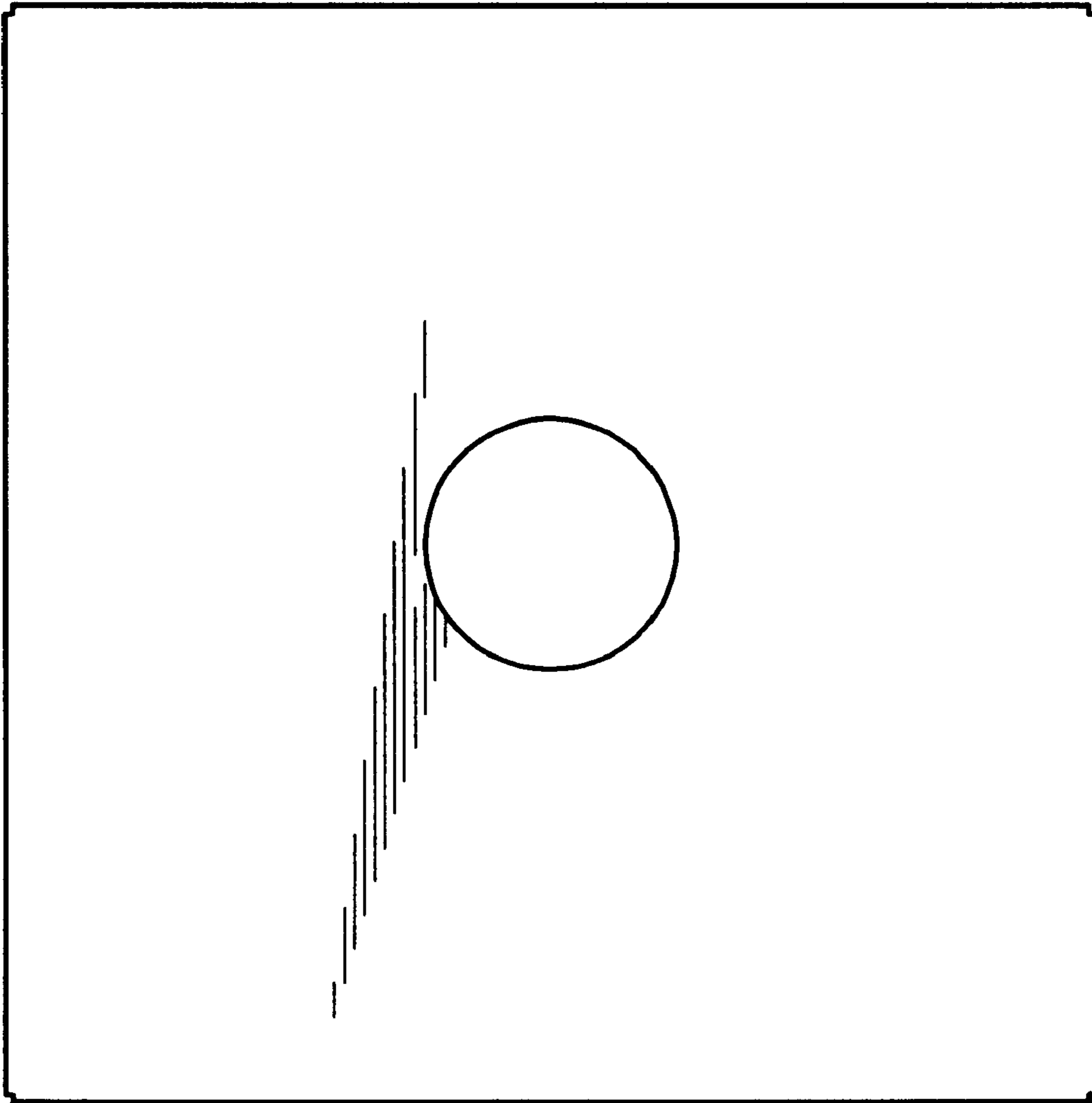


Fig. 6