



US00D522178S

(12) **United States Design Patent** (10) **Patent No.:** **US D522,178 S**
Ashline (45) **Date of Patent:** **** May 30, 2006**

- (54) **HELMET/HEAD RESTRAINT WITH LEG STRAPS** 3,632,066 A * 1/1972 Brown et al. 244/151 A
- 3,671,974 A * 6/1972 Sims 2/421
- 3,818,509 A * 6/1974 Romo et al. 2/421
- (75) Inventor: **Trevor P. Ashline**, Rock Hill, SC (US) 3,925,822 A * 12/1975 Sawyer 2/421
- 4,731,882 A * 3/1988 Ekman 2/69
- (73) Assignee: **Safety Solution, Inc.**, Concord, NC (US) 4,923,147 A 5/1990 Adams et al.
- 5,272,770 A * 12/1993 Allen et al. 2/421
- 5,437,613 A * 8/1995 Reggio et al. 602/18
- (**) Term: **14 Years** 6,125,966 A * 10/2000 Jones 182/3
- 6,405,685 B1 * 6/2002 Cox 119/857

(21) Appl. No.: **29/161,634**

FOREIGN PATENT DOCUMENTS

(22) Filed: **May 31, 2002**

WO WO 93/05986 4/1993

Related U.S. Application Data

* cited by examiner

(63) Continuation-in-part of application No. 09/993,839, filed on Nov. 16, 2001, now Pat. No. 6,499,149, which is a continuation-in-part of application No. 09/837,215, filed on Apr. 19, 2001, now abandoned.

Primary Examiner—Lucy Lieberman

(74) *Attorney, Agent, or Firm*—Everman Law Firm, PA; Gregory R. Everman

(51) **LOC (8) Cl.** **29-02**

(52) **U.S. Cl.** **D29/101.1**

(58) **Field of Classification Search** D29/100, D29/101.1–101.5, 102, 103; 2/421, 462, 2/468, 411, 425, 416; 280/290, 748; 182/3, 182/4, 6; 244/151 R, 151 A

(57) **CLAIM**

The ornamental design for a helmet/head restraint with leg straps, as shown and described.

See application file for complete search history.

DESCRIPTION

FIG. 1 is a front view of a helmet/head restraint with leg straps showing my new design; FIG. 2 is a rear view thereof; and, FIG. 3 is a left side view thereof.

The broken lines showing portions of the helmet/head restraint with leg straps and the broken lines showing a figure wearing the claimed design are for illustrative purposes only and form no part of the claimed design.

(56) **References Cited**

U.S. PATENT DOCUMENTS

- 2,475,631 A * 7/1949 Miller et al. 244/151 R
- 2,519,352 A * 8/1950 Carroll 244/151 R
- 2,643,836 A * 6/1953 Carroll 244/151 R
- 3,559,932 A * 2/1971 Ternes 244/151 R

1 Claim, 1 Drawing Sheet

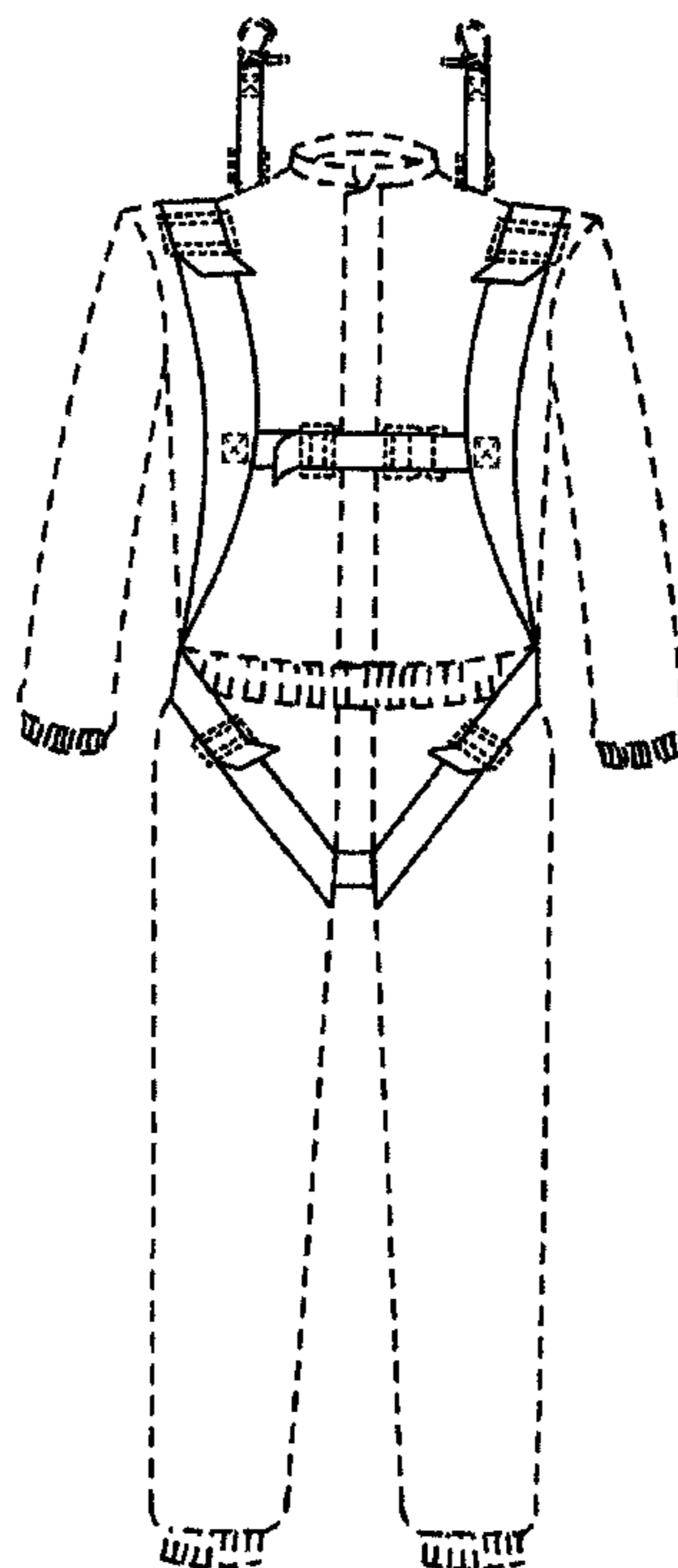


Fig. 3

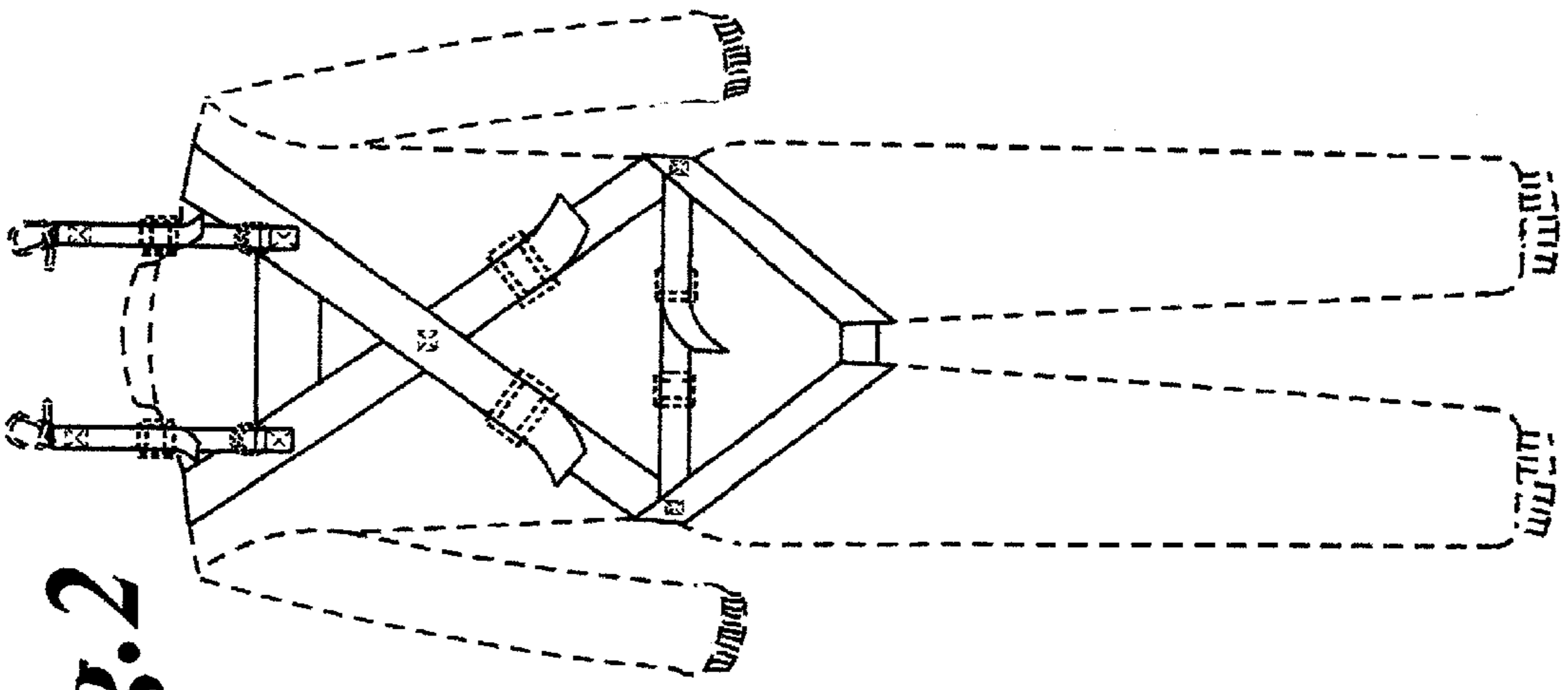
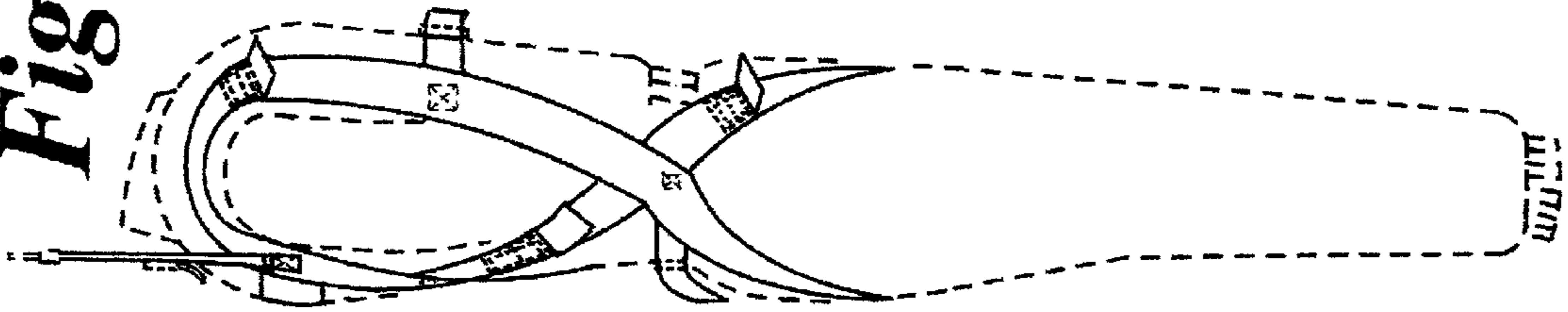


Fig. 2

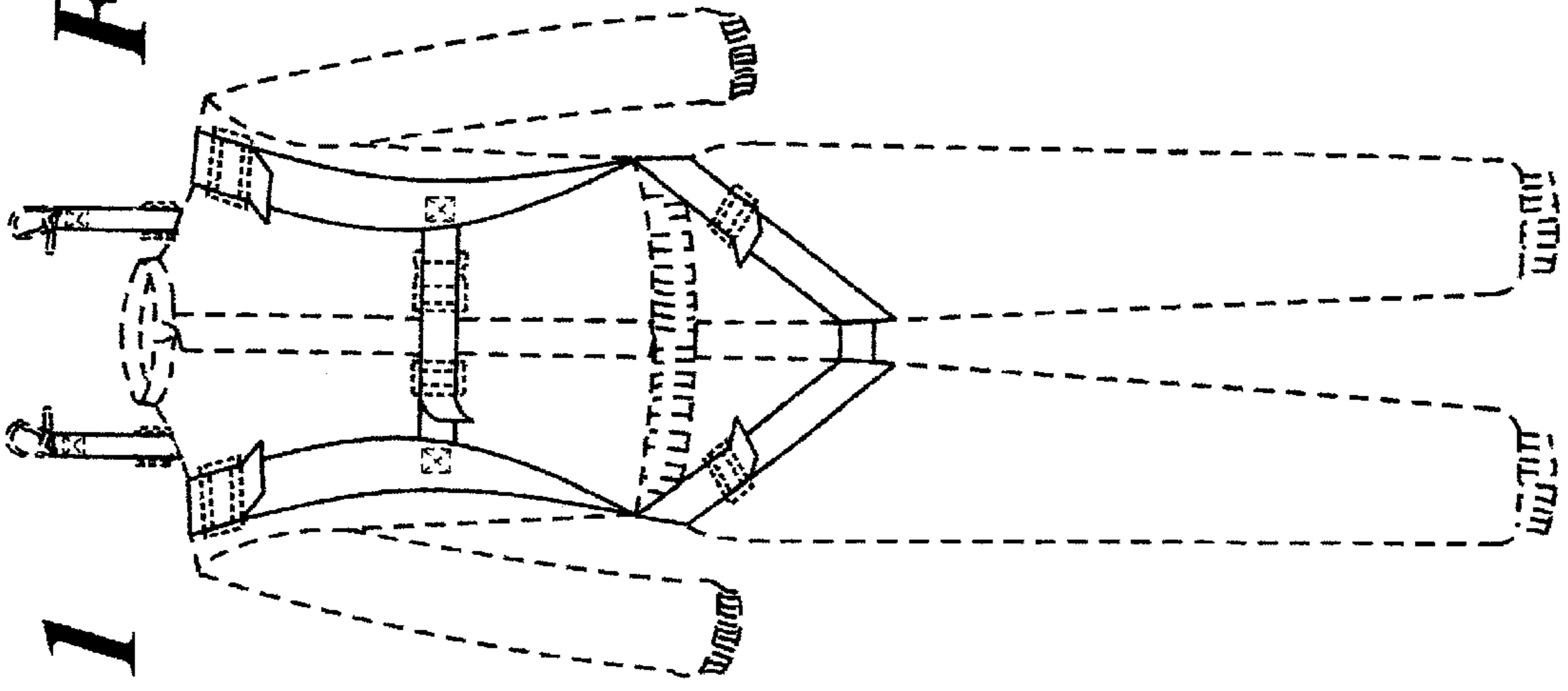


Fig. 1