



US00D522175S

(12) **United States Design Patent**
Boyd

(10) **Patent No.:** **US D522,175 S**

(45) **Date of Patent:** **** *May 30, 2006**

(54) **DENTRIFICE**

(75) Inventor: **Thomas Boyd**, Metuchen, NJ (US)

(73) Assignee: **Colgate-Palmolive Company**, New York, NY (US)

(*) Notice: This patent is subject to a terminal disclaimer.

(**) Term: **14 Years**

(21) Appl. No.: **29/227,583**

(22) Filed: **Apr. 13, 2005**

(51) **LOC (8) Cl.** **28-03**

(52) **U.S. Cl.** **D28/4**

(58) **Field of Classification Search** D28/4,
D28/8.1, 8.2; 222/40, 94; 424/49, 52, 401,
424/492

See application file for complete search history.

(56) **References Cited**

U.S. PATENT DOCUMENTS

3,944,661	A	3/1976	Colodney et al.	
4,003,971	A	1/1977	Mannara	
4,069,311	A	1/1978	Mannara	
4,069,312	A	1/1978	Mannara	
D277,611	S	2/1985	Sanabria	
4,663,152	A	5/1987	Barth et al.	
4,849,212	A	7/1989	Glandorf et al.	
D304,382	S	10/1989	Mohrle	
5,035,349	A	* 7/1991	Donahue	222/94
5,088,623	A	* 2/1992	Crawford	222/40
5,318,203	A	* 6/1994	Iaia et al.	222/94
5,941,420	A	* 8/1999	Connan	222/94
5,993,784	A	11/1999	Hill	
D420,463	S	* 2/2000	Mandadi et al.	D28/4
6,126,923	A	* 10/2000	Burke et al.	424/49
6,139,820	A	10/2000	Fischer et al.	

6,161,729	A	* 12/2000	Gentile et al.	222/94
6,592,852	B1	7/2003	Ryles et al.	
6,669,929	B1	12/2003	Boyd et al.	
D494,316	S	8/2004	Boyd	
D494,708	S	8/2004	Boyd	
D494,709	S	8/2004	Boyd	
D497,685	S	10/2004	Boyd	
D497,686	S	10/2004	Boyd	
D504,539	S	* 4/2005	Boyd	D28/4
2004/0126332	A1	7/2004	Boyd et al.	
2004/0136924	A1	7/2004	Boyd et al.	

* cited by examiner

Primary Examiner—Jennifer Rivard

(74) *Attorney, Agent, or Firm*—Harris A. Wolin

(57) **CLAIM**

The ornamental design for a dentifrice, as shown and described.

DESCRIPTION

FIG. 1 is a perspective view of the dentifrice of my design; FIG. 2 is a right side elevation thereof.

FIG. 3 is a front elevation view thereof.

FIG. 4 is a left side elevation view thereof.

FIG. 5 is a perspective view of an additional embodiment thereof.

FIG. 6 is a right side elevation view thereof.

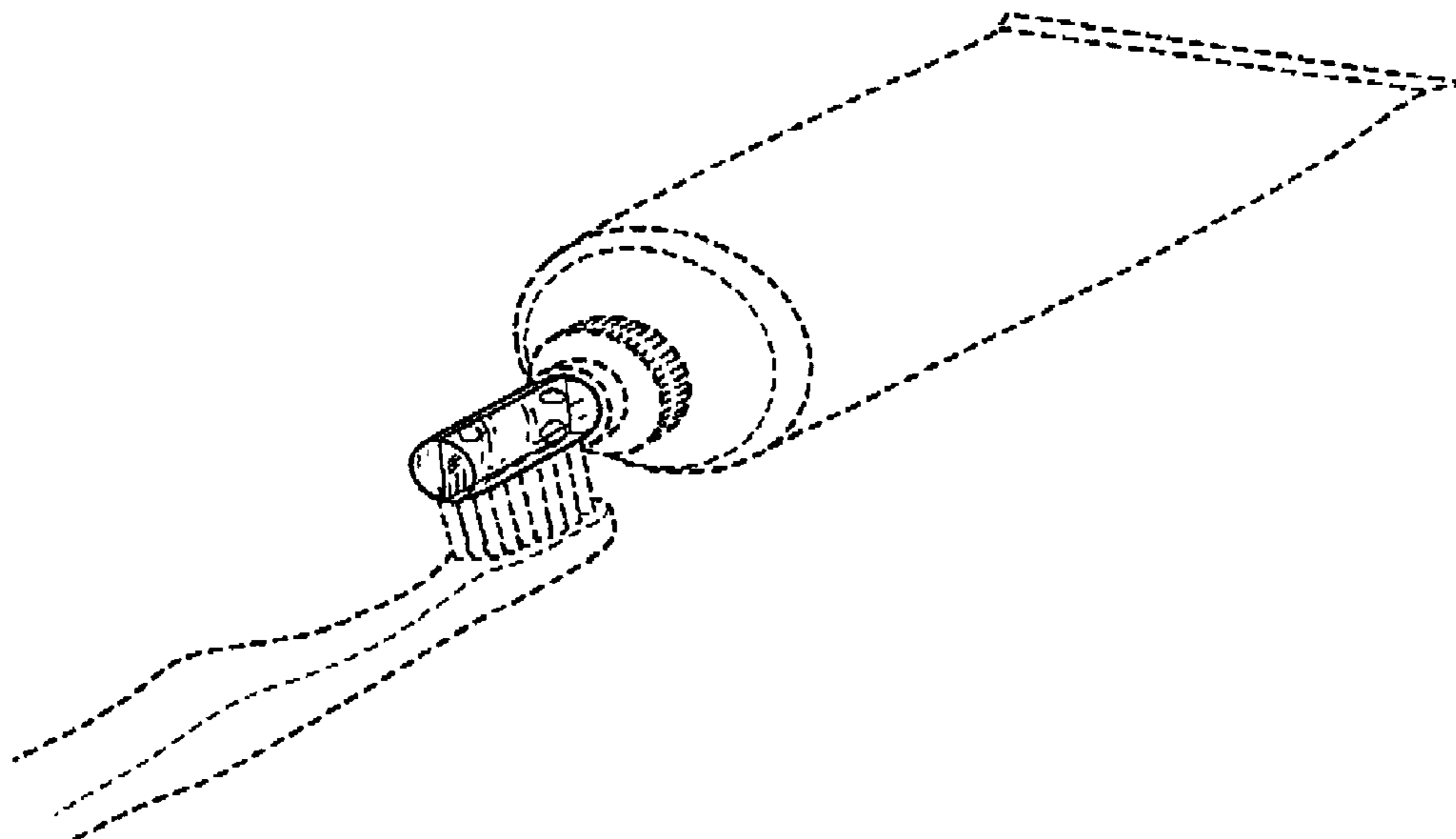
FIG. 7 is a front elevation view thereof; and,

FIG. 8 is a left side elevation view thereof.

The dentifrice is shown as dispensed in two segments, one segment substantially transparent containing thin circular shaped pieces and the other segment being primarily opaque.

The broken line showing of a toothbrush and a tube are for illustrative purposes only and form no part of the claimed design.

1 Claim, 2 Drawing Sheets



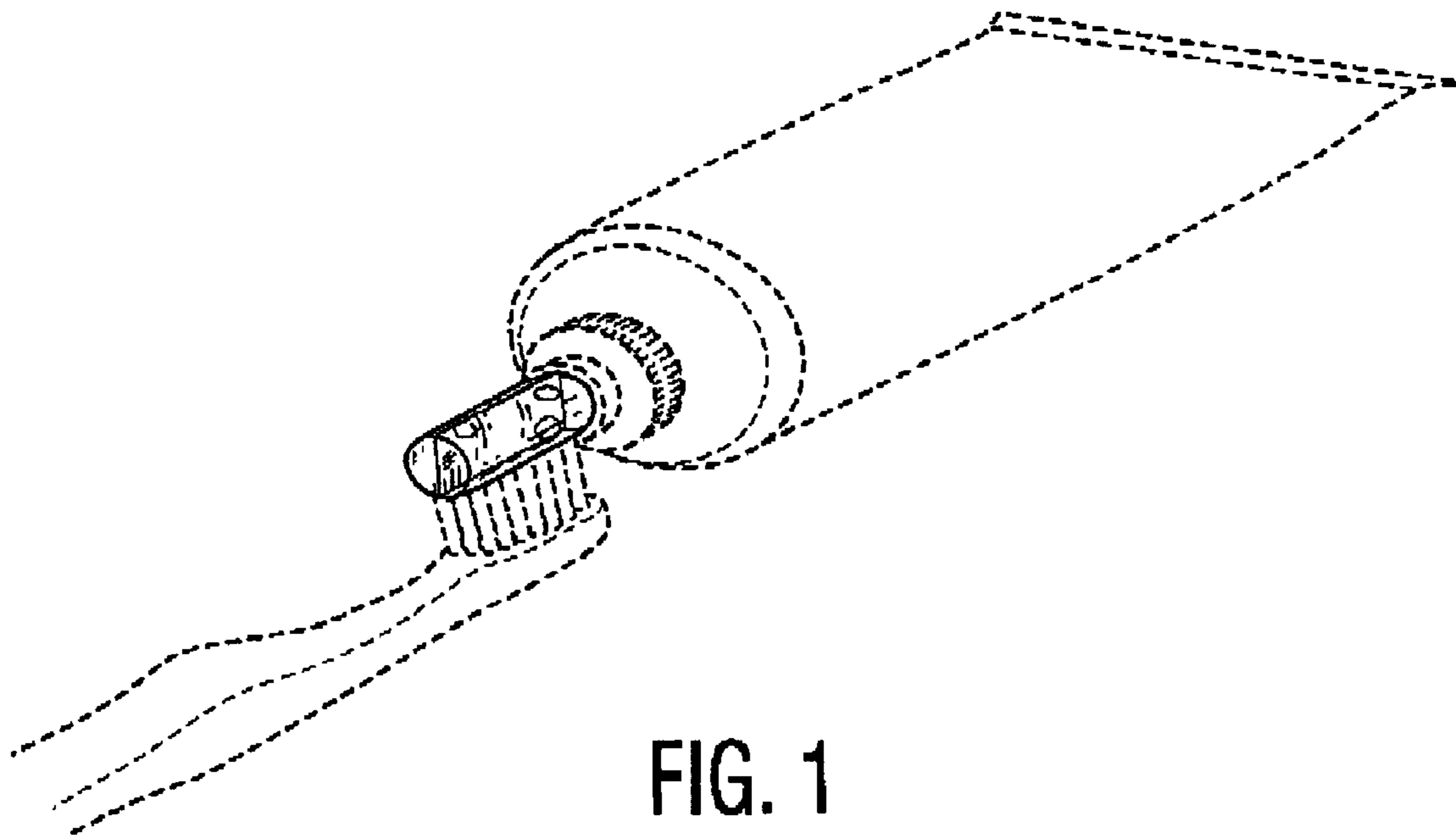


FIG. 1

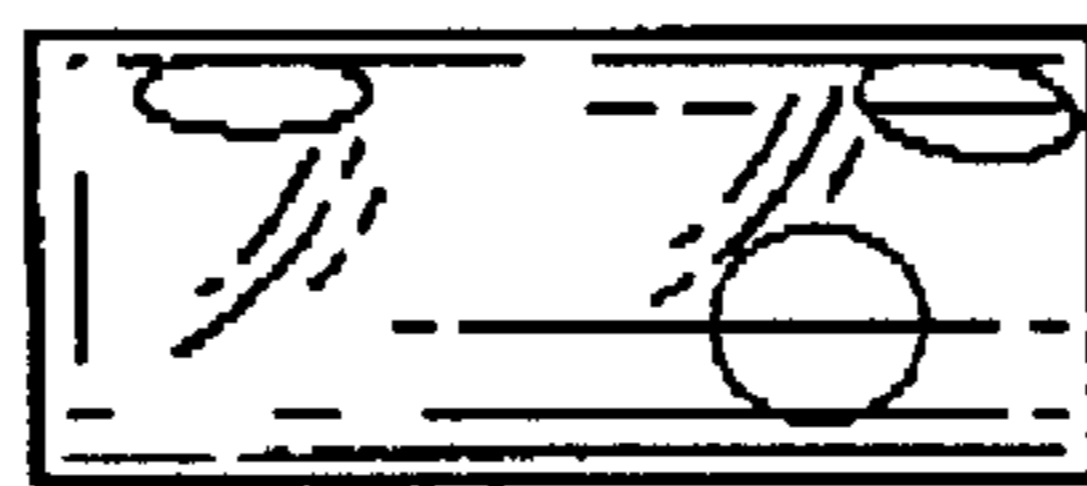


FIG. 2

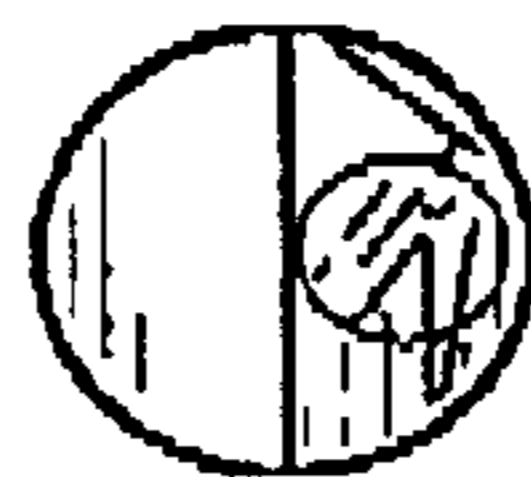


FIG. 3

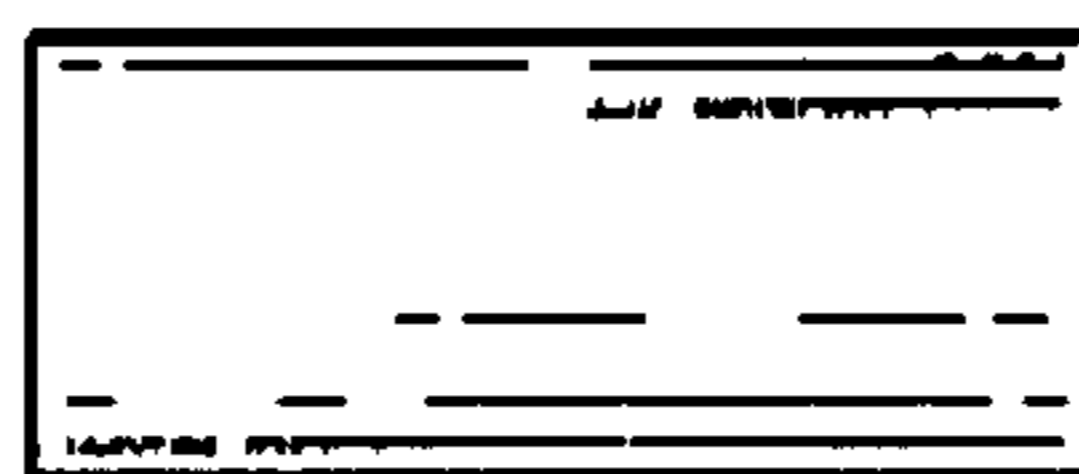


FIG. 4

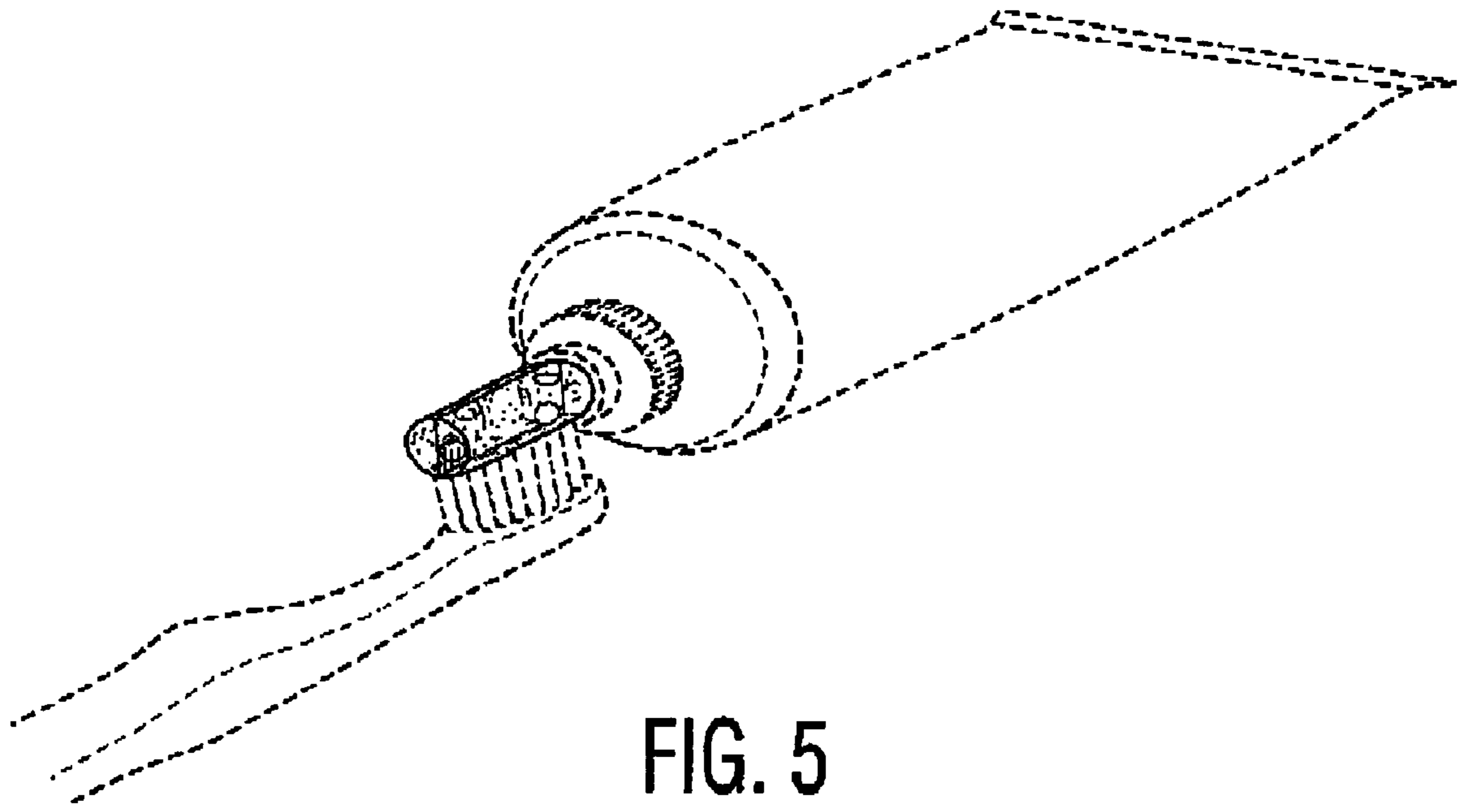


FIG. 5



FIG. 6

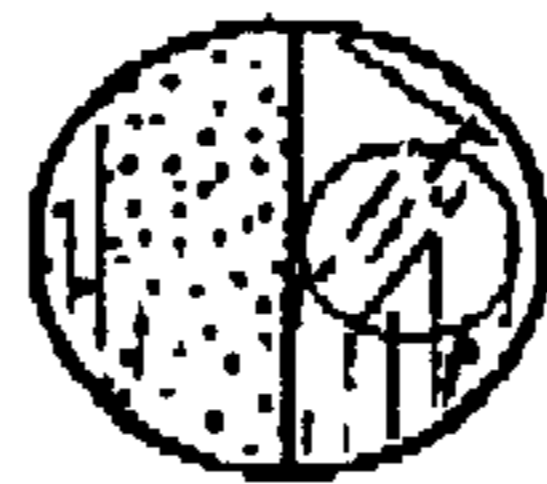


FIG. 7

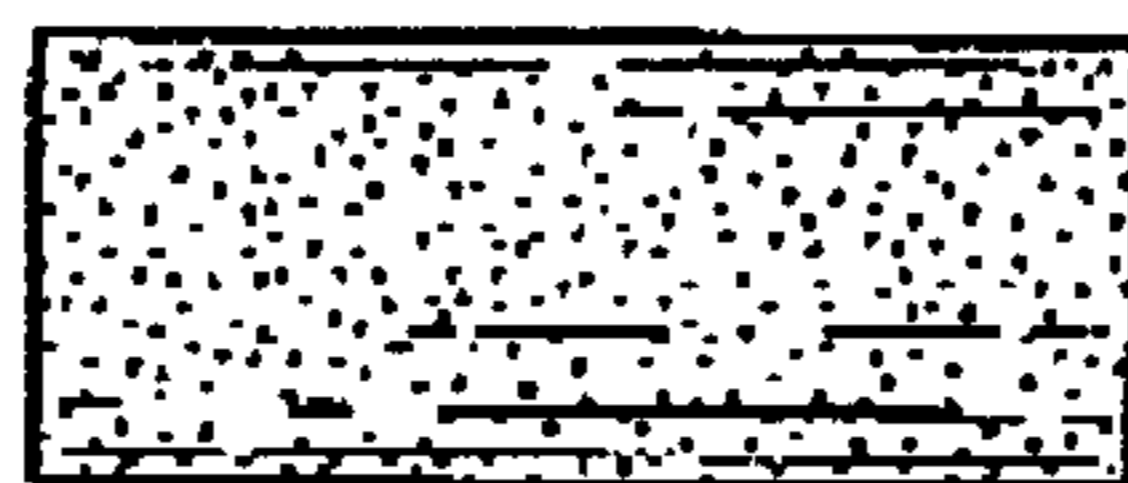


FIG. 8