



US00D522173S

(12) **United States Design Patent**
Sanders

(10) **Patent No.:** **US D522,173 S**

(45) **Date of Patent:** **** May 30, 2006**

(54) **CIGARETTE HOLDER**

(76) Inventor: **Troy W. Sanders**, 6985 German Hill,
Baltimore, MD (US) 21222

(**) Term: **14 Years**

(21) Appl. No.: **29/198,949**

(22) Filed: **Feb. 9, 2004**

(51) **LOC (8) Cl.** **27-06**

(52) **U.S. Cl.** **D27/187; D27/189; D3/208**

(58) **Field of Classification Search** D27/172,
D27/183, 186, 187, 189, 190, 191; 131/256,
131/257; 206/236, 242, 246, 261-265, 268,
206/269; D3/208

See application file for complete search history.

(56) **References Cited**

U.S. PATENT DOCUMENTS

- 1,459,077 A 6/1923 Winans
- 2,653,614 A * 9/1953 Coffey 206/246
- 3,601,132 A 8/1971 Etheridge

- 5,377,696 A 1/1995 Goldman
- D402,400 S * 12/1998 Pausinger D27/161
- 5,934,894 A 8/1999 Cigler

* cited by examiner

Primary Examiner—Jennifer Rivard

(74) *Attorney, Agent, or Firm*—Crossley Patent Law; Mark
A. Crossley

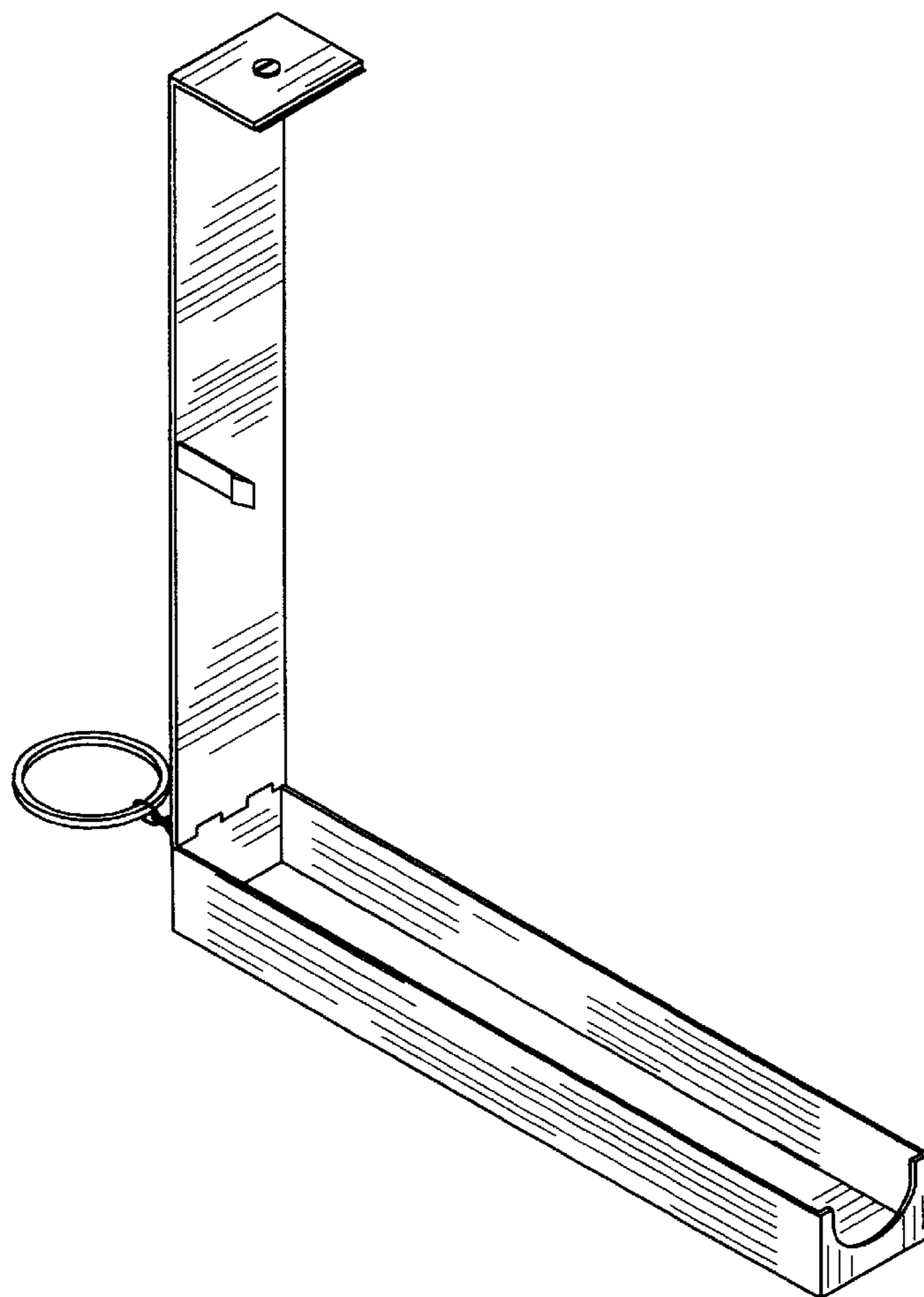
(57) **CLAIM**

The ornamental design for a cigarette holder, as shown and
described.

DESCRIPTION

FIG. 1 is a front elevation view of the cigarette holder;
FIG. 2 is a rear elevation view thereof;
FIG. 3 is a left side elevation view thereof;
FIG. 4 is a right side elevation view thereof;
FIG. 5 is a top plan view thereof;
FIG. 6 is a bottom plan view thereof; and,
FIG. 7 is a perspective view thereof.

1 Claim, 5 Drawing Sheets



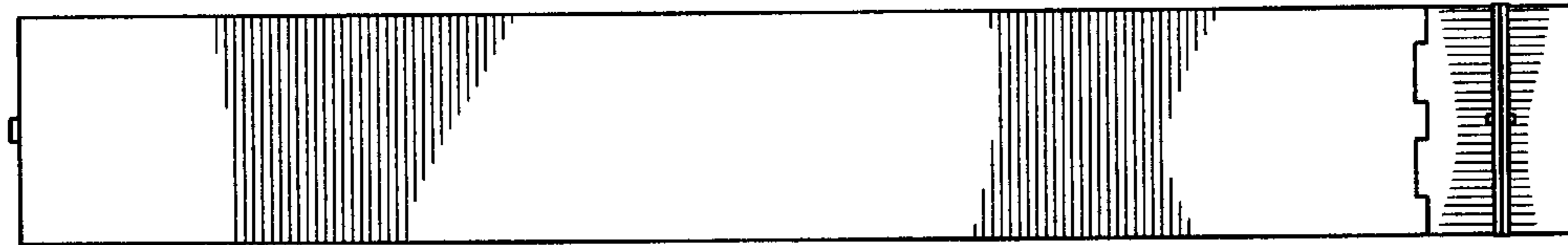


FIG. 2

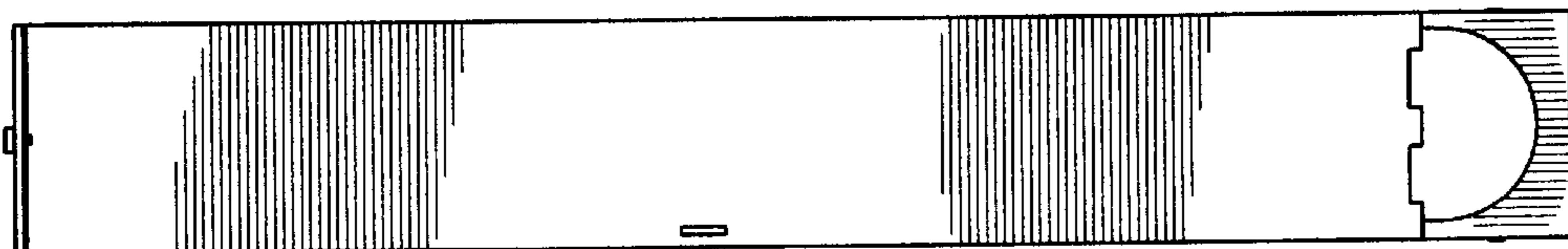


FIG. 1

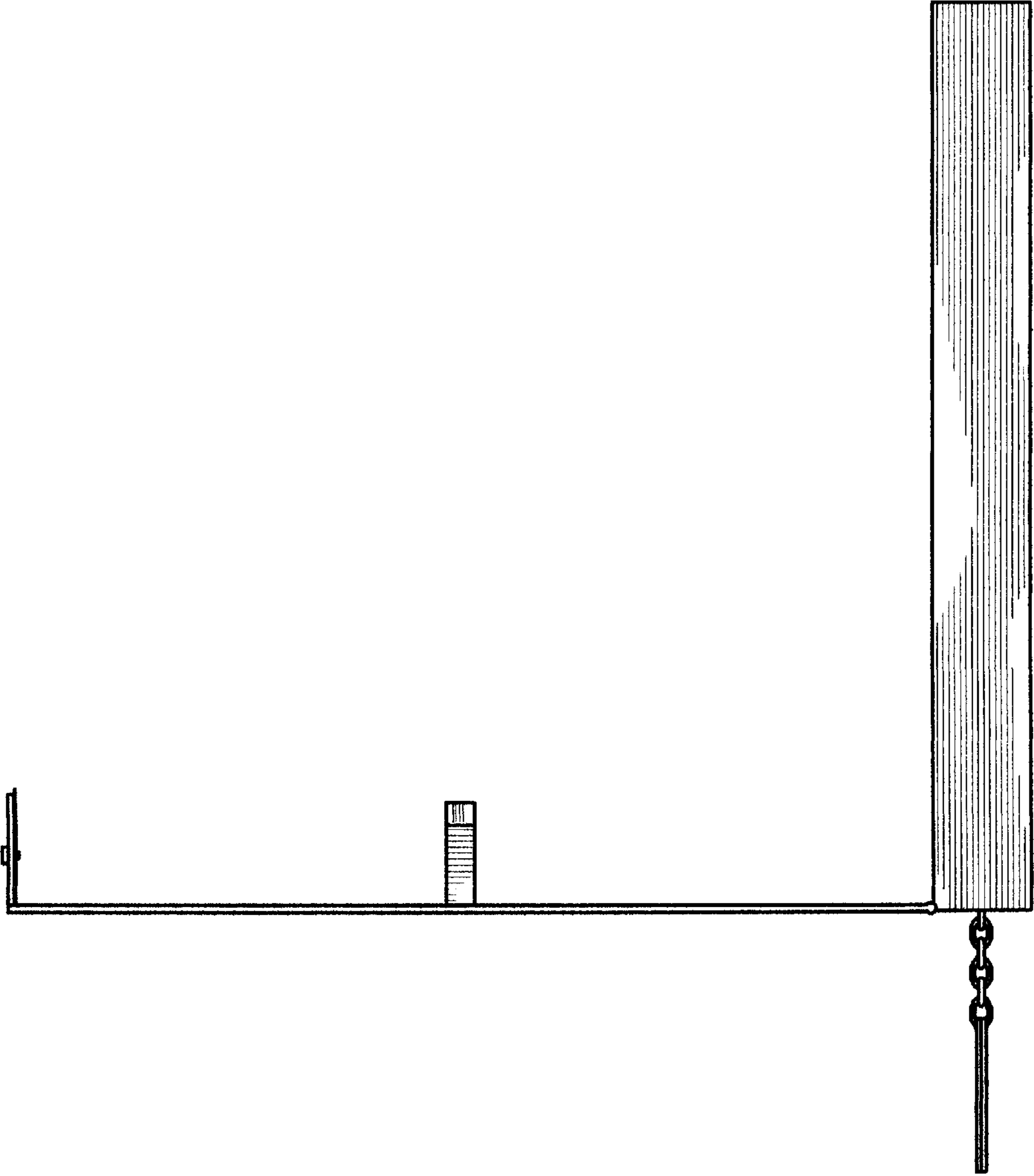


FIG. 3

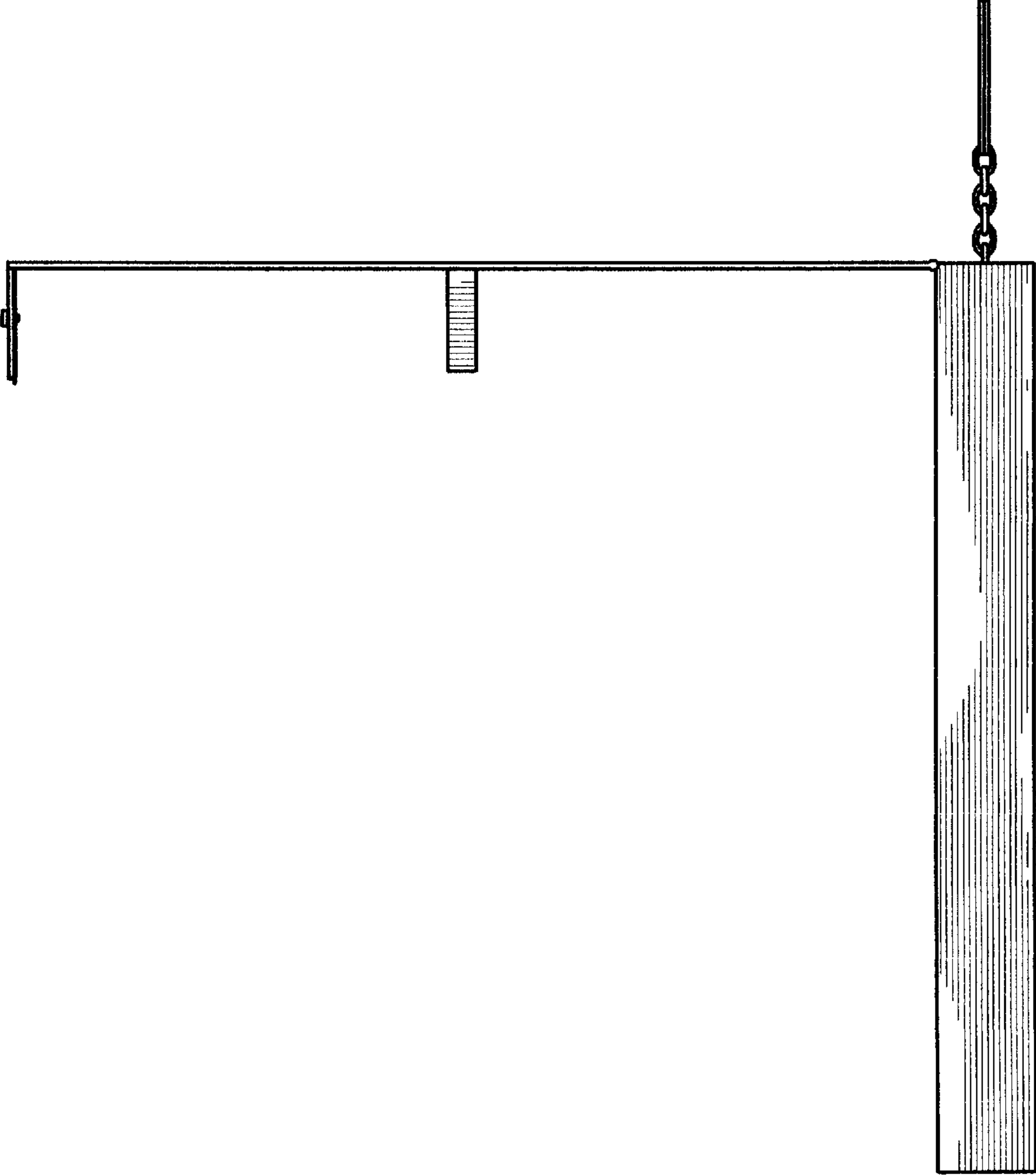


FIG. 4

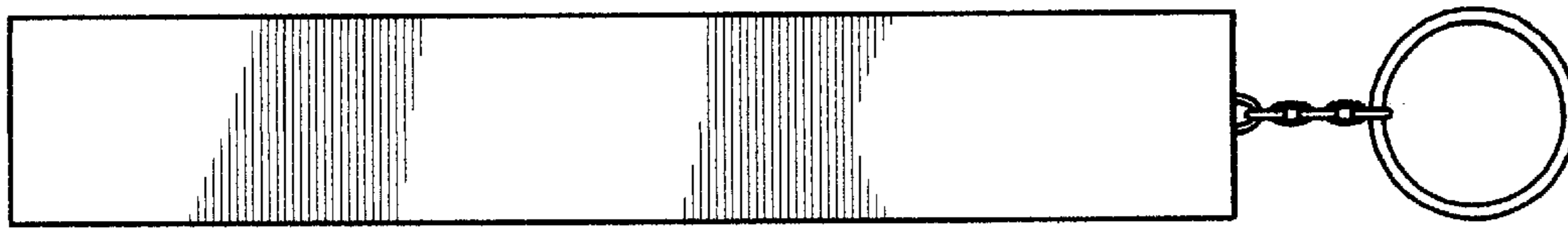


FIG. 6

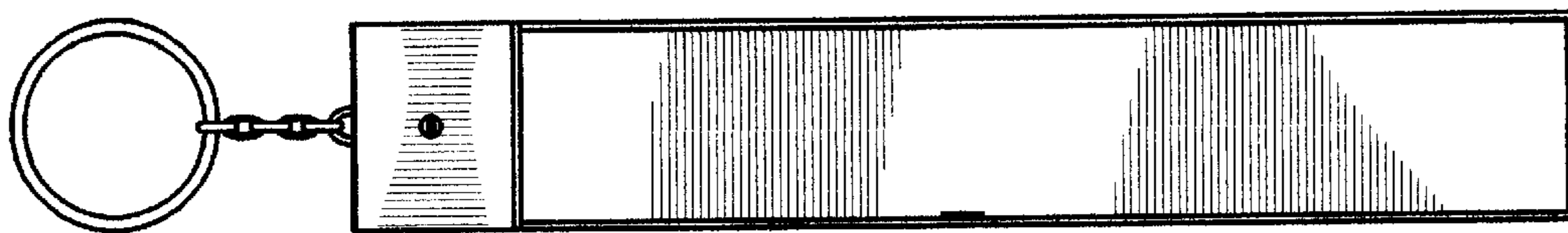


FIG. 5

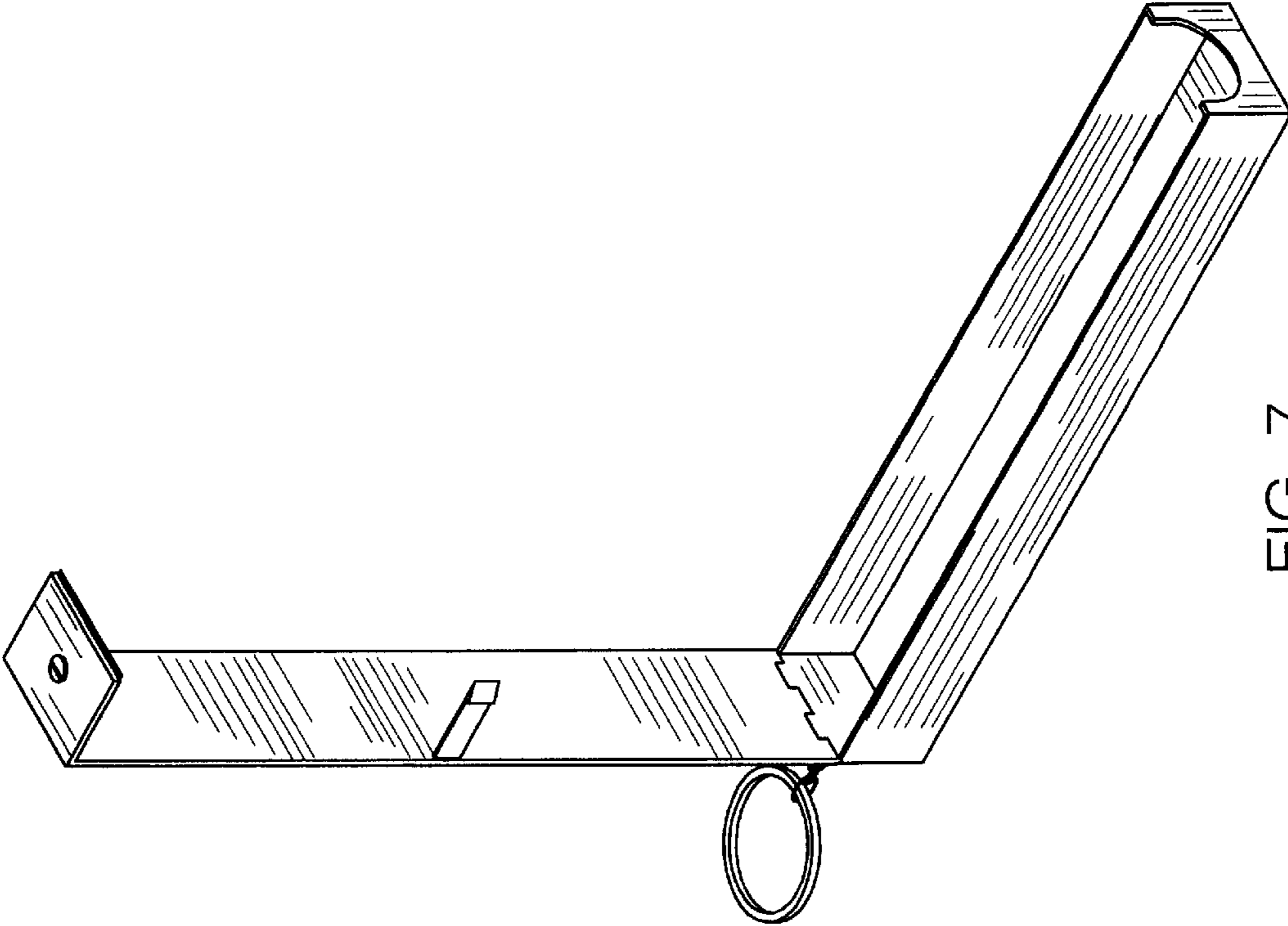


FIG. 7