

US00D522164S

(12) **United States Design Patent**
Trivino et al.

(10) **Patent No.:** **US D522,164 S**

(45) **Date of Patent:** **** May 30, 2006**

(54) **OUTDOOR LANTERN WITH SEEDY GLASS**

(75) Inventors: **Jhonny Trivino**, Los Angeles, CA
(US); **Ri Bao Chen**, Zhan Jian (CN)

(73) Assignee: **Jimway Inc.**, Rancho Dominguez, CA
(US)

(**) Term: **14 Years**

(21) Appl. No.: **29/220,461**

(22) Filed: **Dec. 29, 2004**

(51) **LOC (8) Cl.** **26-05**

(52) **U.S. Cl.** **D26/71; D26/87; D26/92**

(58) **Field of Classification Search** D26/72,
D26/73, 85, 87, 92, 118, 128-130, 137, 145-147,
D26/155, 156; 362/147, 362, 370, 371, 431,
362/432

See application file for complete search history.

(56) **References Cited**

U.S. PATENT DOCUMENTS

D73,386 S	*	8/1927	Lipschutz	D26/87
D101,041 S	*	9/1936	Janssen	D26/87
D436,207 S	*	1/2001	Pham	D26/72
D438,324 S	*	2/2001	Pham	D26/72
D458,704 S	*	6/2002	Orozco	D26/92

OTHER PUBLICATIONS

Framburg 2001 Catalog. Items 8490, 8495 and 8498 on p. 162.*

Framburg 2001 Catalog. Items 8754, 8755 and 8756 on p. 160.*

* cited by examiner

Primary Examiner—Clare E Heflin

(74) *Attorney, Agent, or Firm*—Paul Y. Feng; Fulwinder Patton LLP

(57) **CLAIM**

The ornamental design for an outdoor lantern with seedy glass, as shown and described.

DESCRIPTION

FIG. 1 is an upper perspective view of an outdoor lantern with seedy glass showing our new design;

FIG. 2 is a front elevational view of the outdoor lantern;

FIG. 3 is a rear elevational view;

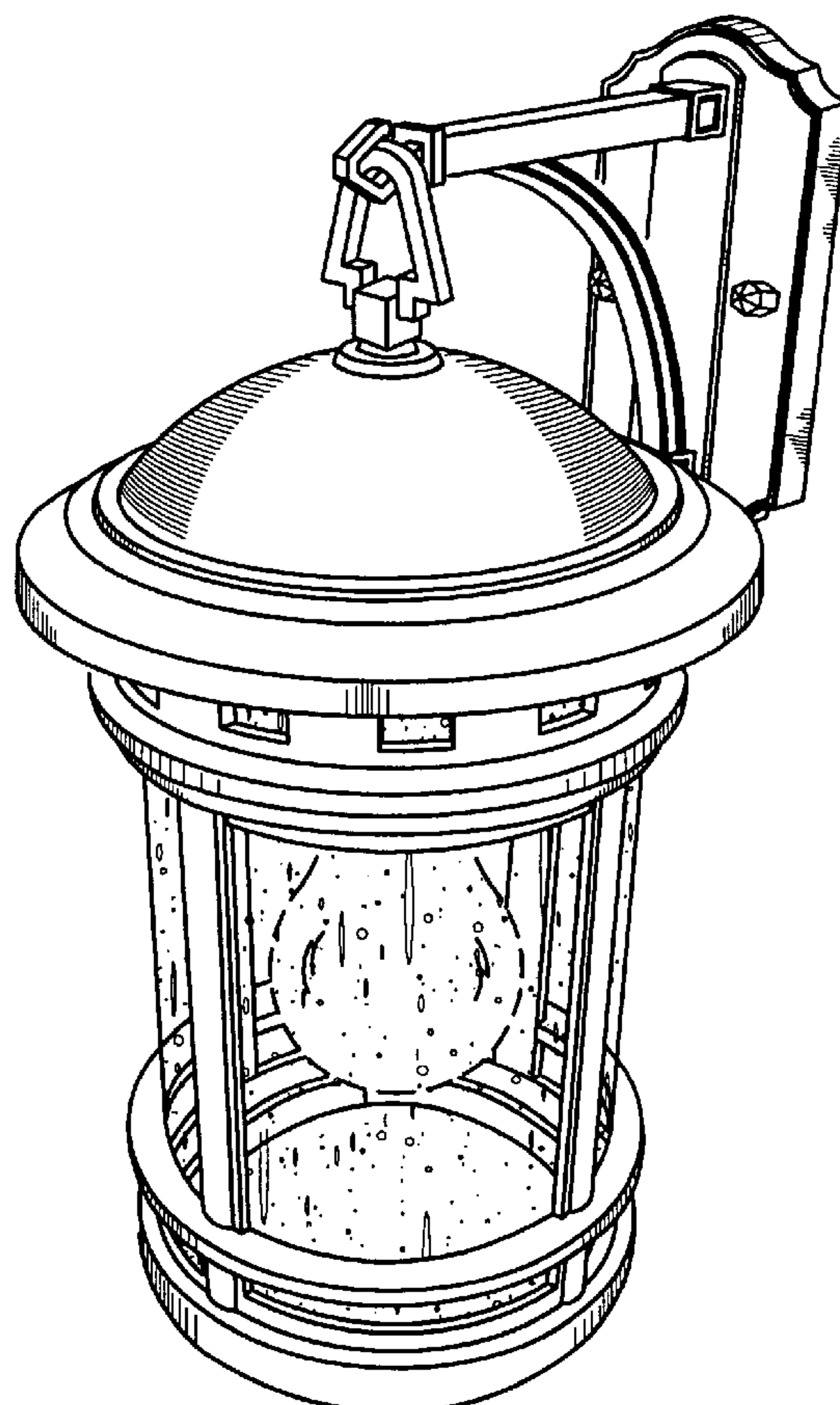
FIG. 4 is a left side elevational view whose right side elevational view is a mirror image thereof;

FIG. 5 is a top plan view; and,

FIG. 6 is a bottom view.

The broken lines shown on the drawings are for illustrative purposes only and form no part of the claimed design.

1 Claim, 6 Drawing Sheets



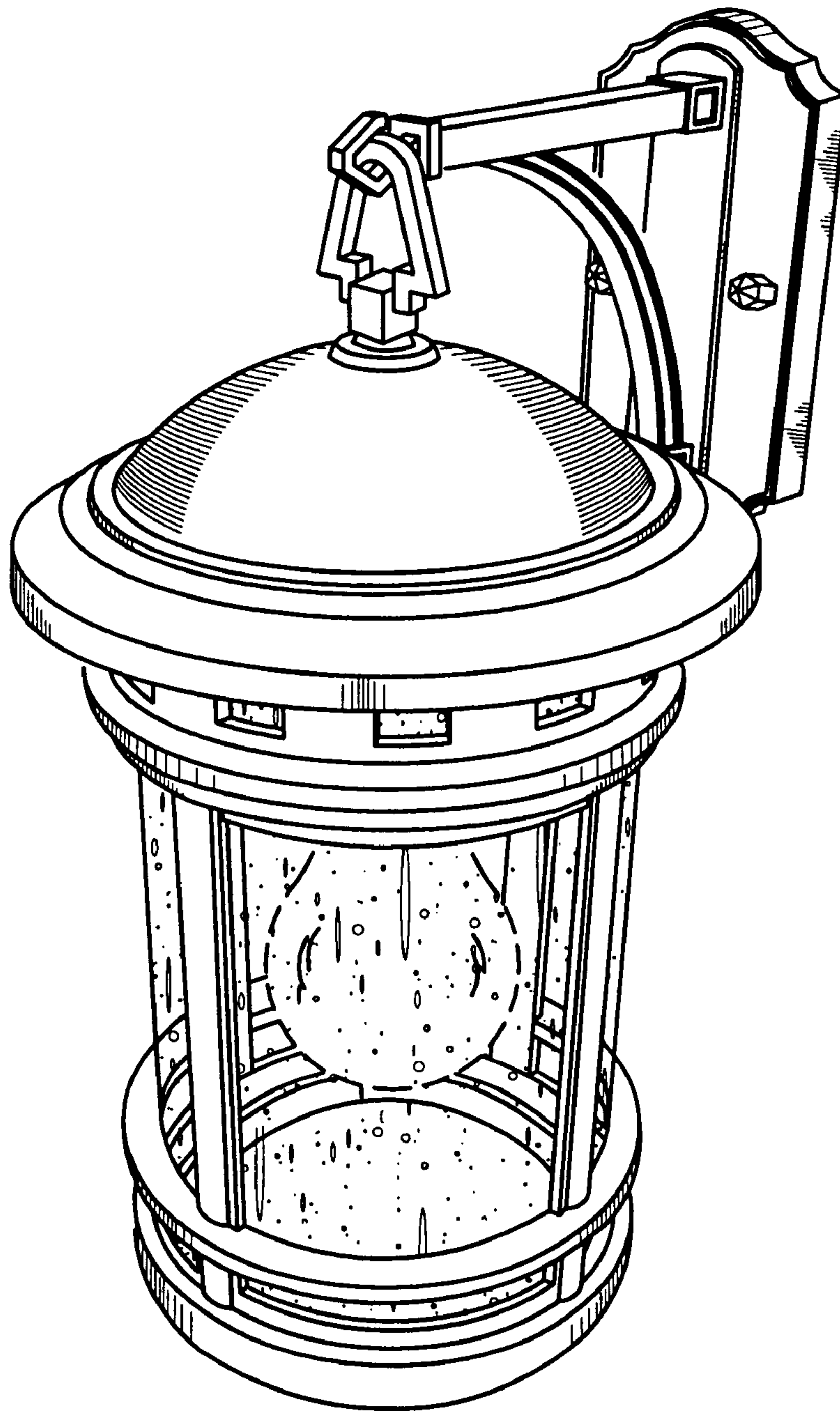


FIG. 1

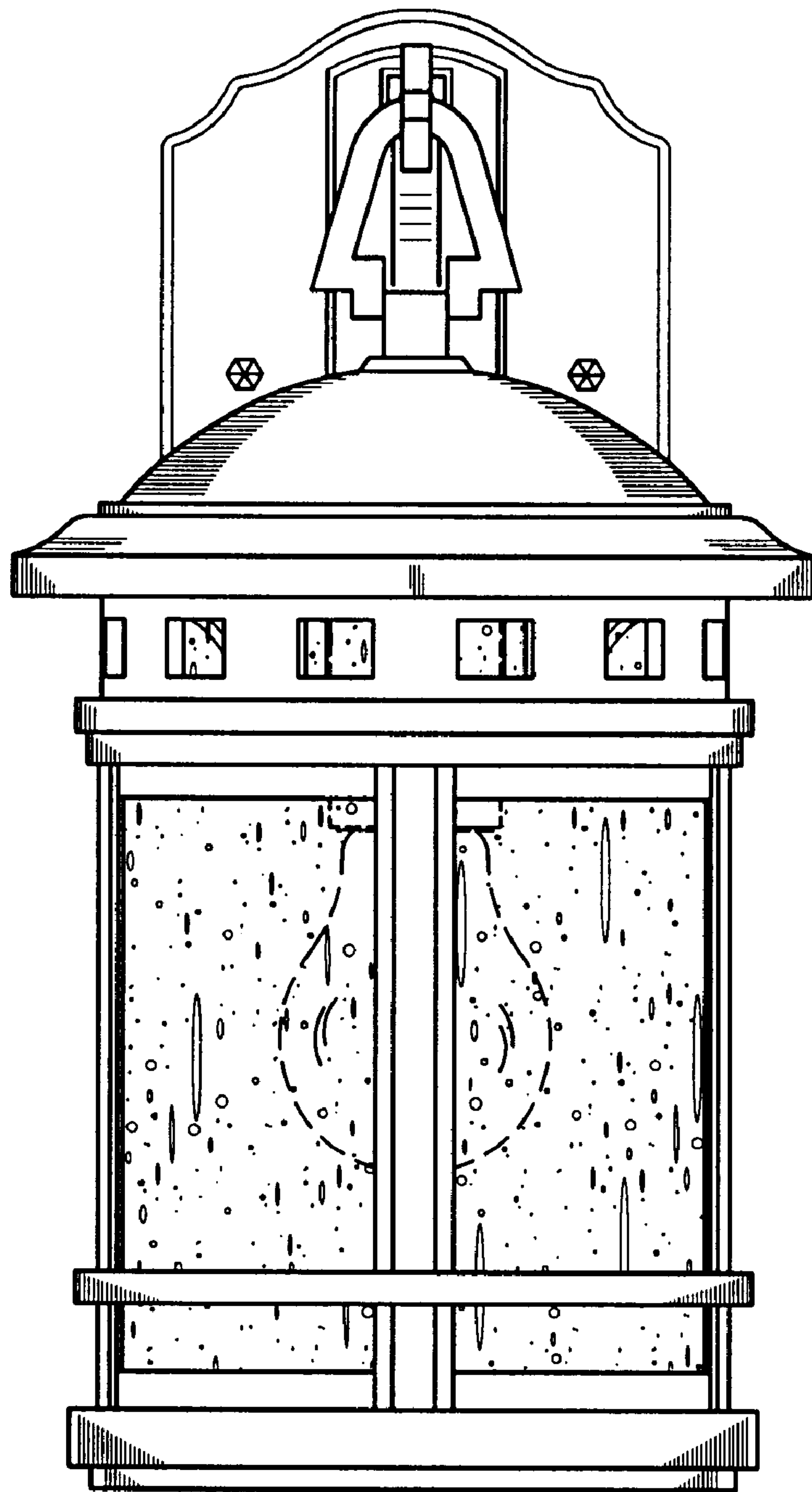


FIG. 2

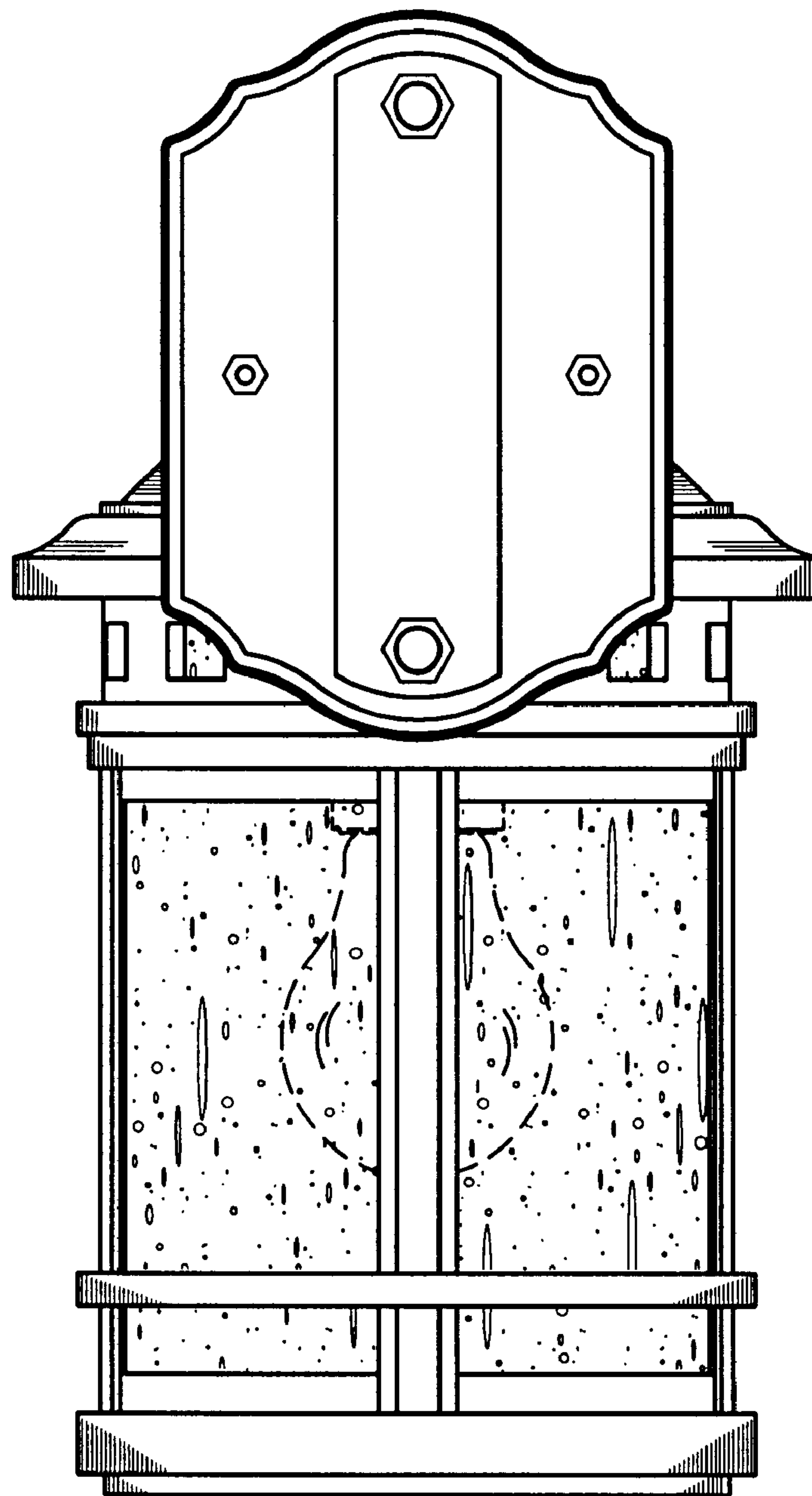


FIG. 3

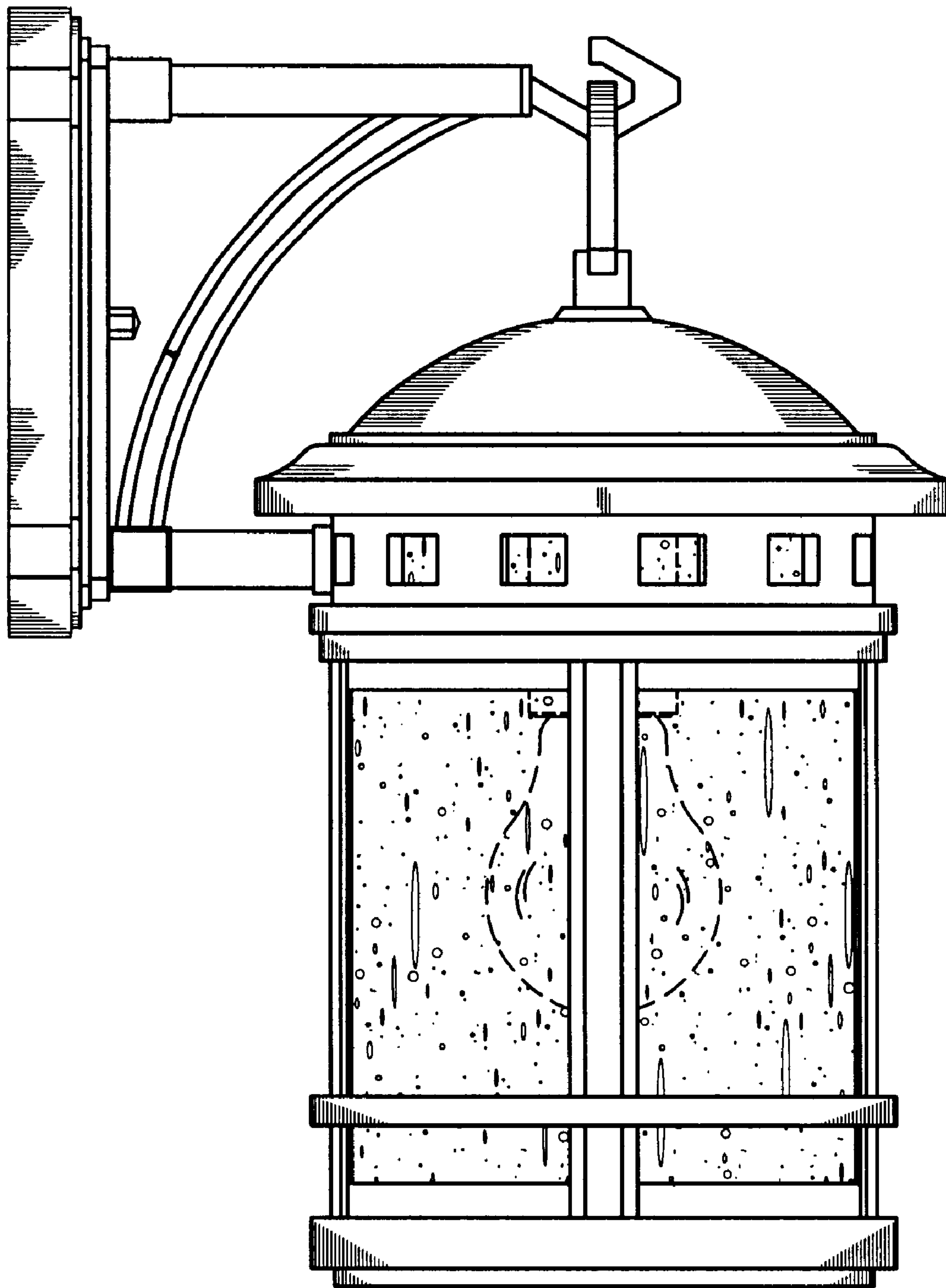


FIG. 4

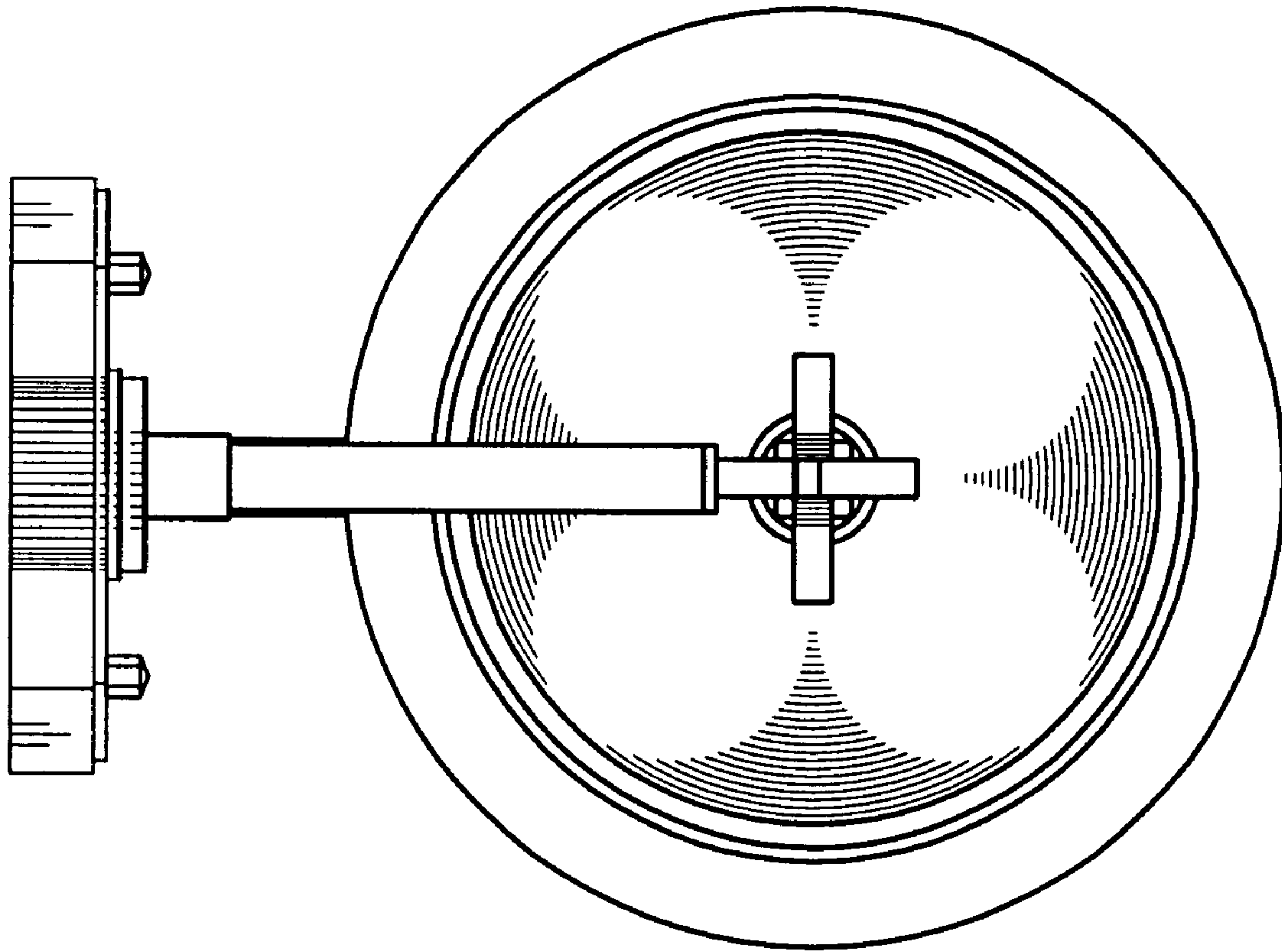


FIG. 5

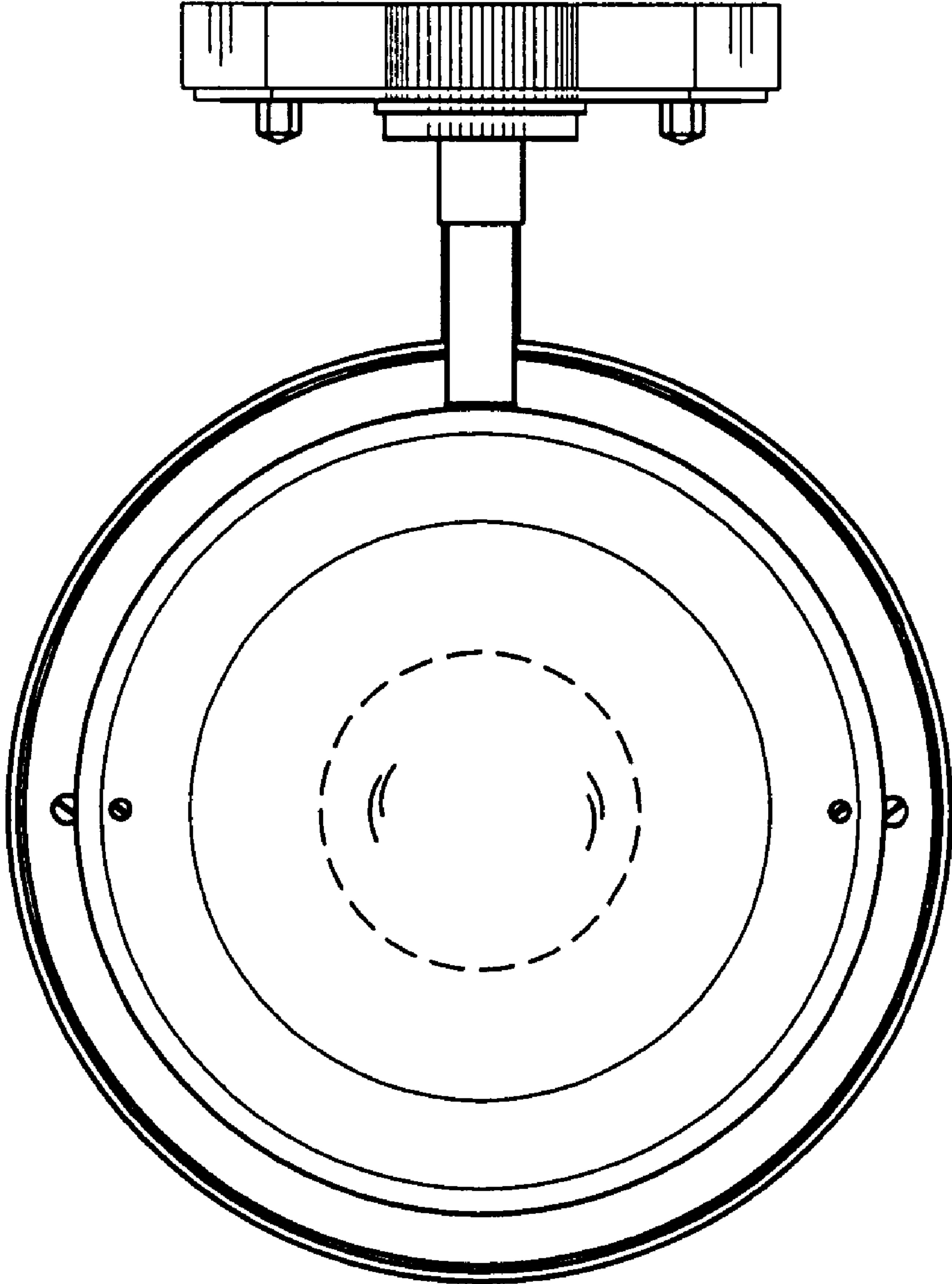


FIG. 6