



US00D522163S

(12) **United States Design Patent**
Begasse

(10) **Patent No.:** **US D522,163 S**

(45) **Date of Patent:** **** May 30, 2006**

(54) **LIGHT**

(75) Inventor: **Klaus Begasse**, Stuttgart (DE)

(73) Assignee: **Jürgen HESS** (DE)

(**) Term: **14 Years**

(21) Appl. No.: **29/206,529**

(22) Filed: **Jun. 1, 2004**

(30) **Foreign Application Priority Data**

Dec. 10, 2003 (DE) 4 03 07 791

(51) **LOC (8) Cl.** **26-05**

(52) **U.S. Cl.** **D26/71**

(58) **Field of Classification Search** D26/67-71,
D26/73, 116; 362/153, 153.1, 249, 353, 360,
362/431, 437, 806, 252

See application file for complete search history.

(56) **References Cited**

U.S. PATENT DOCUMENTS

- D205,719 S * 9/1966 Pettengill D26/69
- D214,945 S * 8/1969 Vesely et al. D26/68
- D294,066 S * 2/1988 Ewing et al. D26/71

FOREIGN PATENT DOCUMENTS

- WO DM052643 * 7/2000
- WO DM053342 * 8/2000
- WO DM055413 * 3/2001

* cited by examiner

Primary Examiner—Clare E Heflin

(74) *Attorney, Agent, or Firm*—McGlew and Tuttle, PC

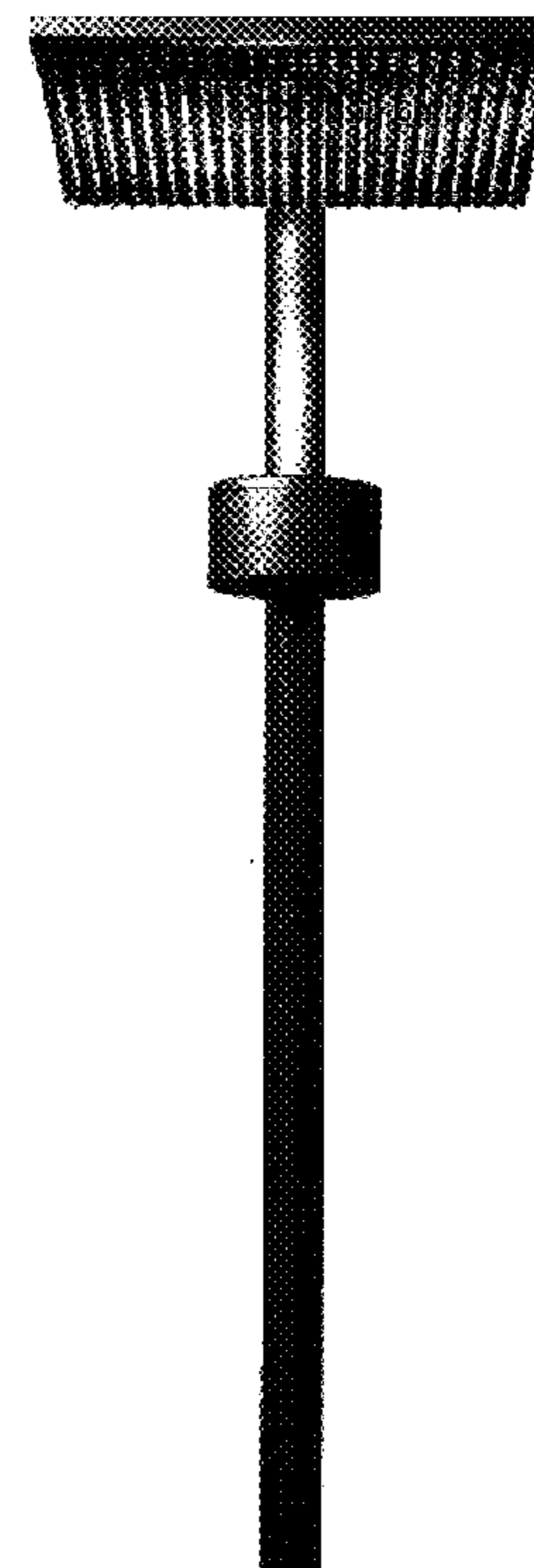
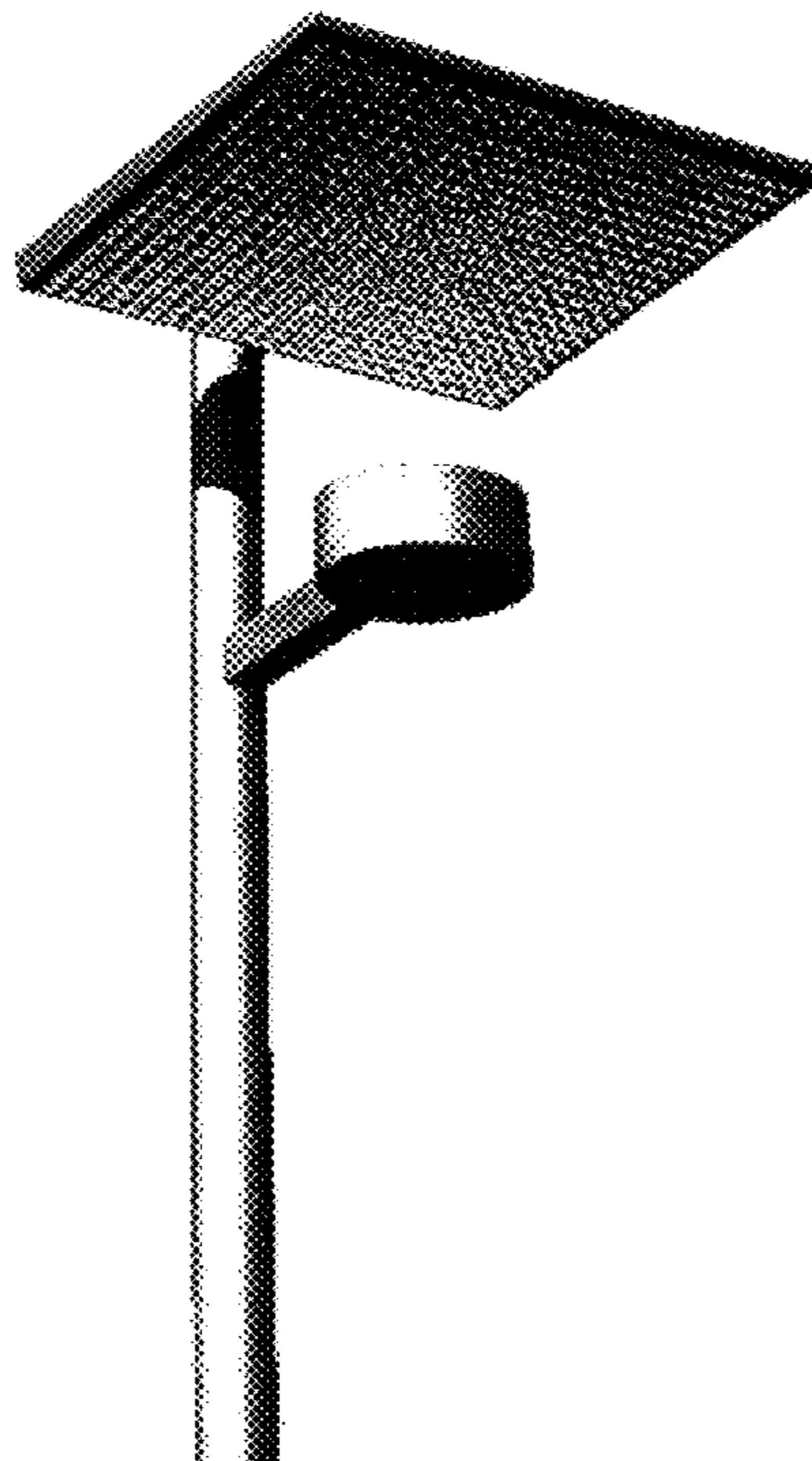
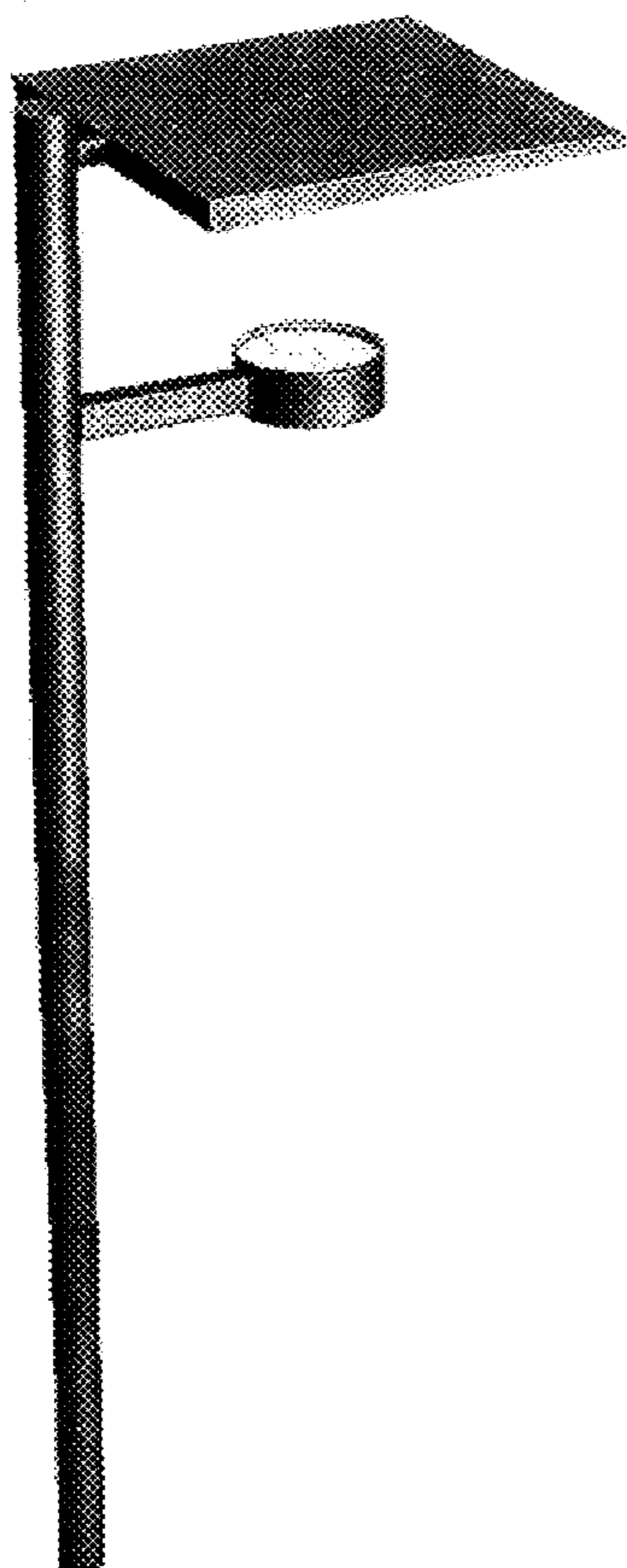
(57) **CLAIM**

The ornamental design for a light, as shown and described.

DESCRIPTION

FIG. 1 is a rear top perspective view of my new light design;
 FIG. 2 is a front bottom perspective view thereof;
 FIG. 3 is a top view thereof;
 FIG. 4 is a fragmentary bottom perspective view thereof, the
 bottom half of the support pole being omitted for illustrative
 purposes only;
 FIG. 5 is a front view thereof;
 FIG. 6 is right view thereof;
 FIG. 7 is a rear view thereof; and,
 FIG. 8 is a left view thereof.

1 Claim, 2 Drawing Sheets



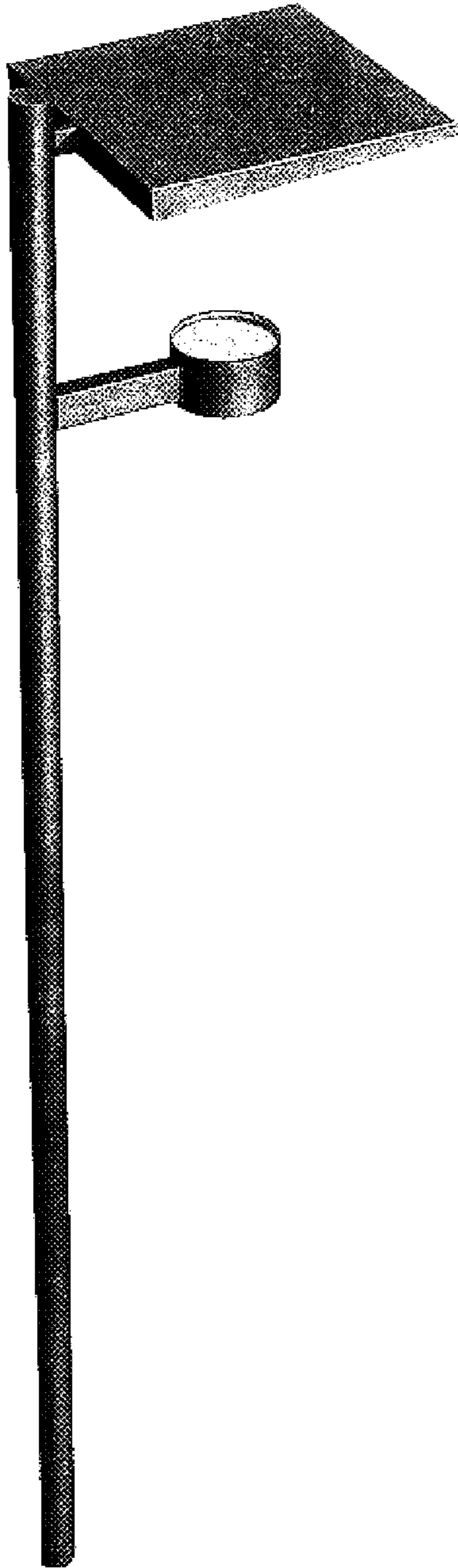


Fig. 1

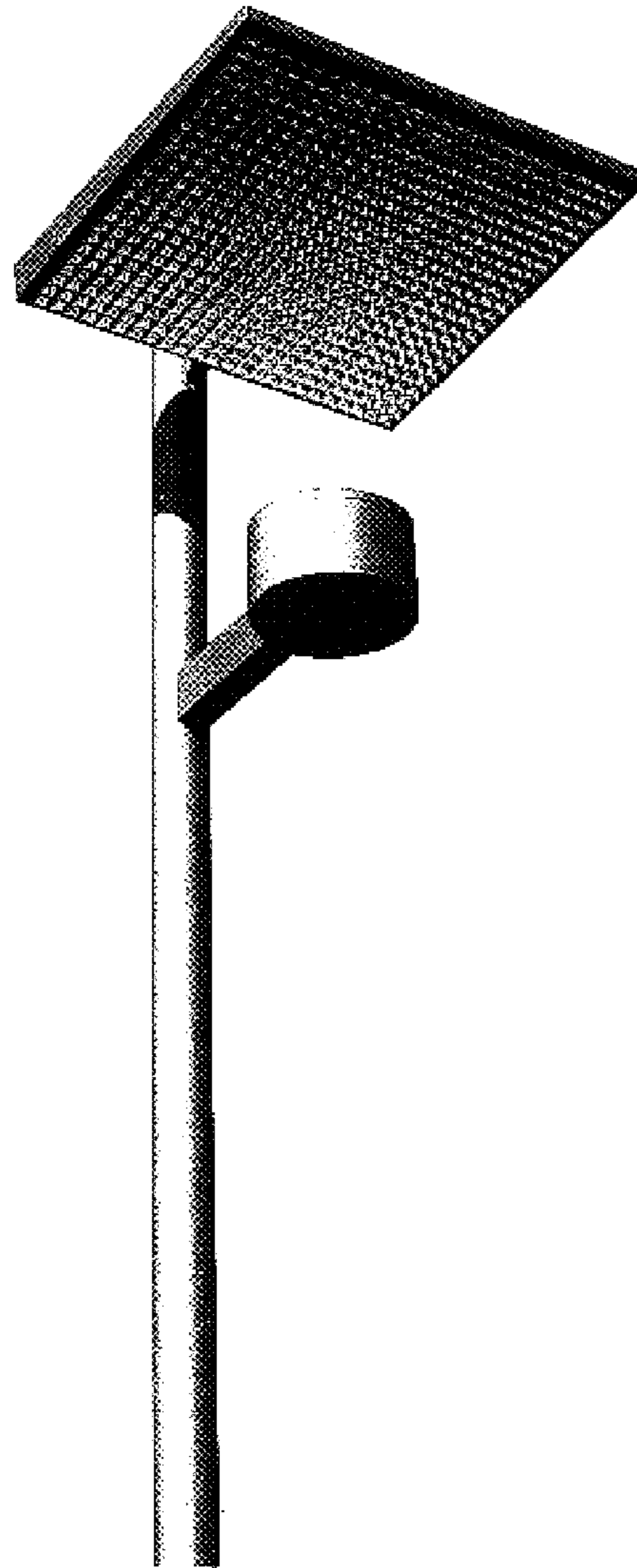


Fig. 2

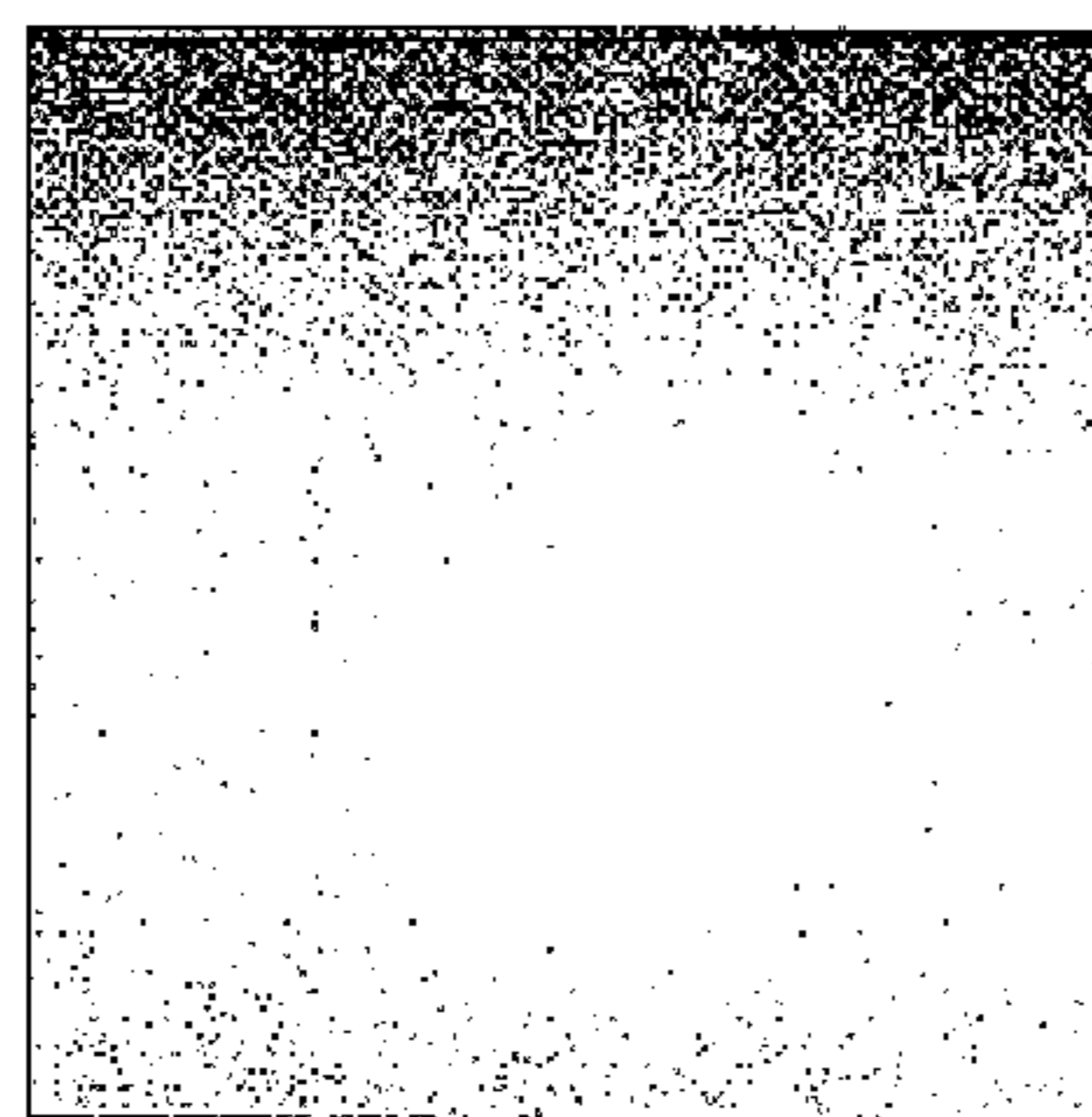


Fig. 3

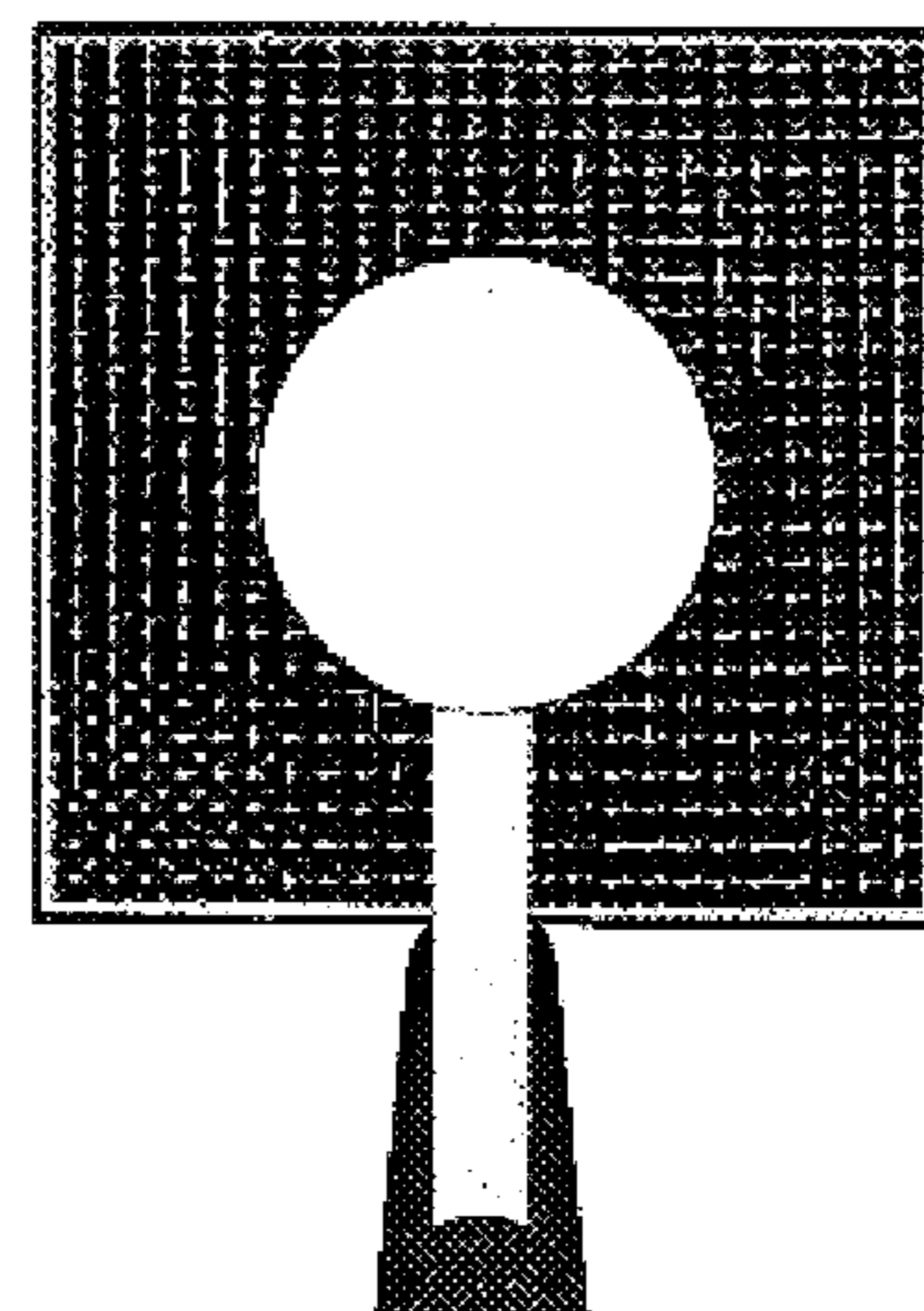


Fig. 4

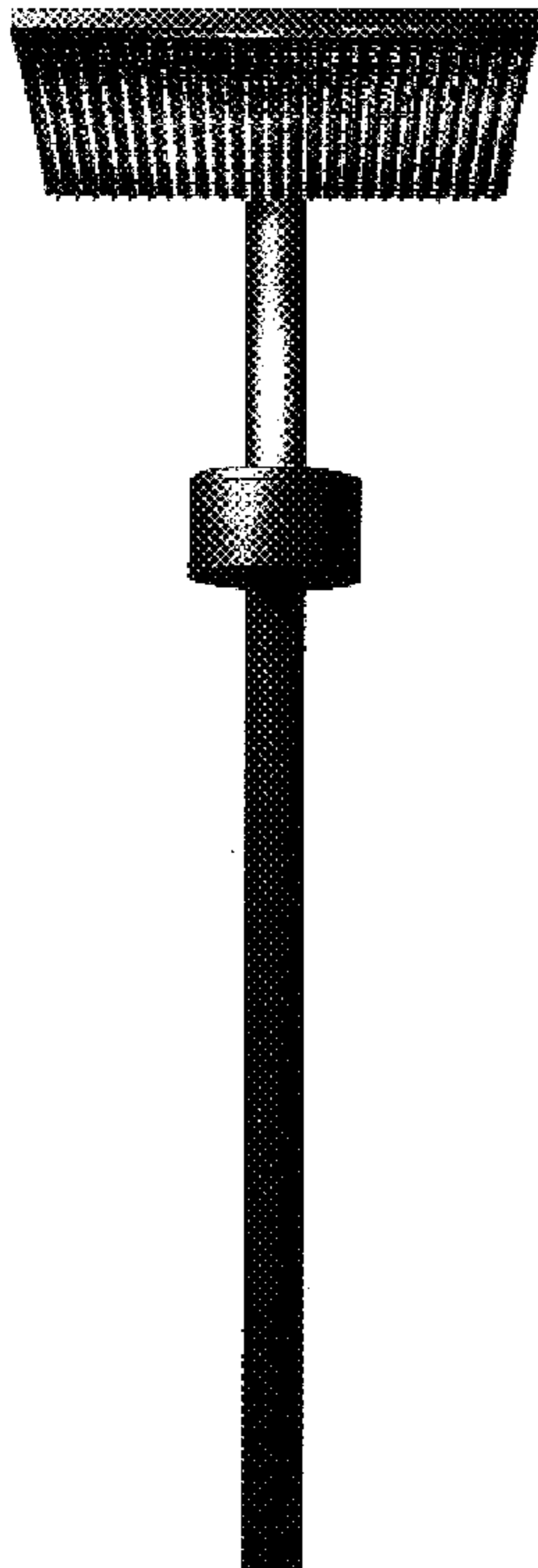


Fig. 5

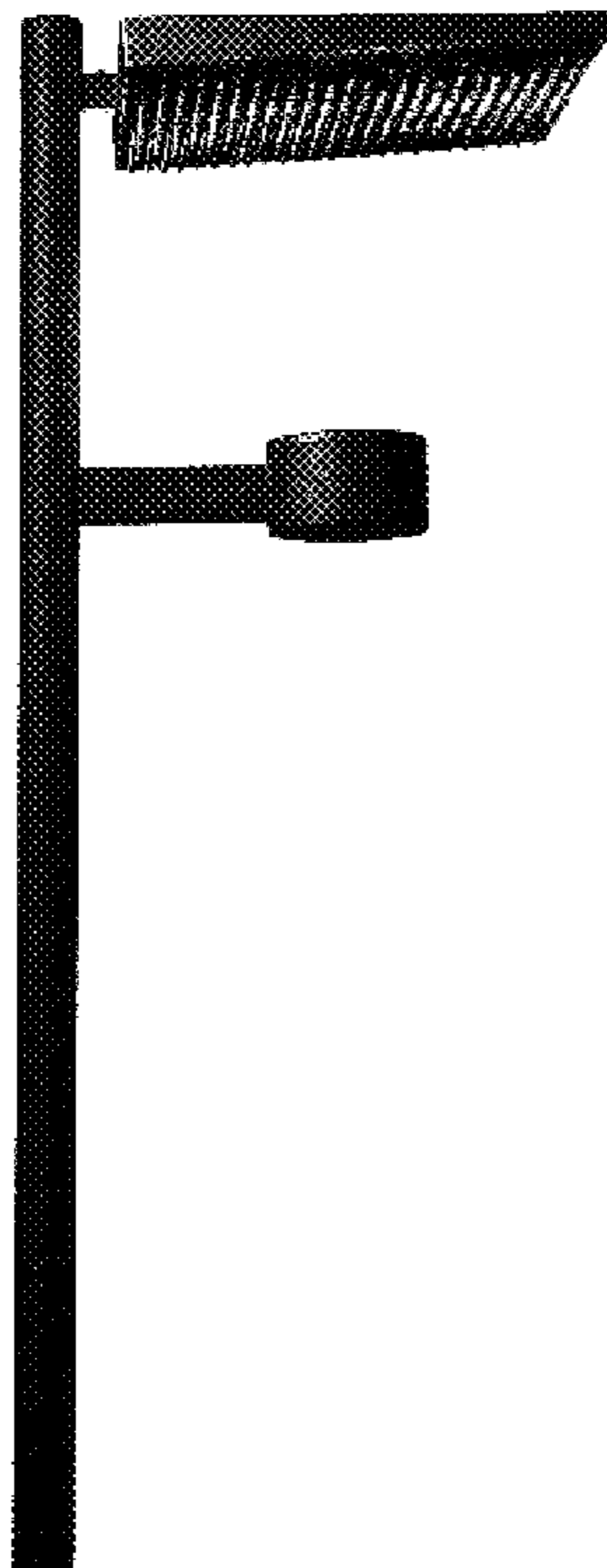


Fig. 6

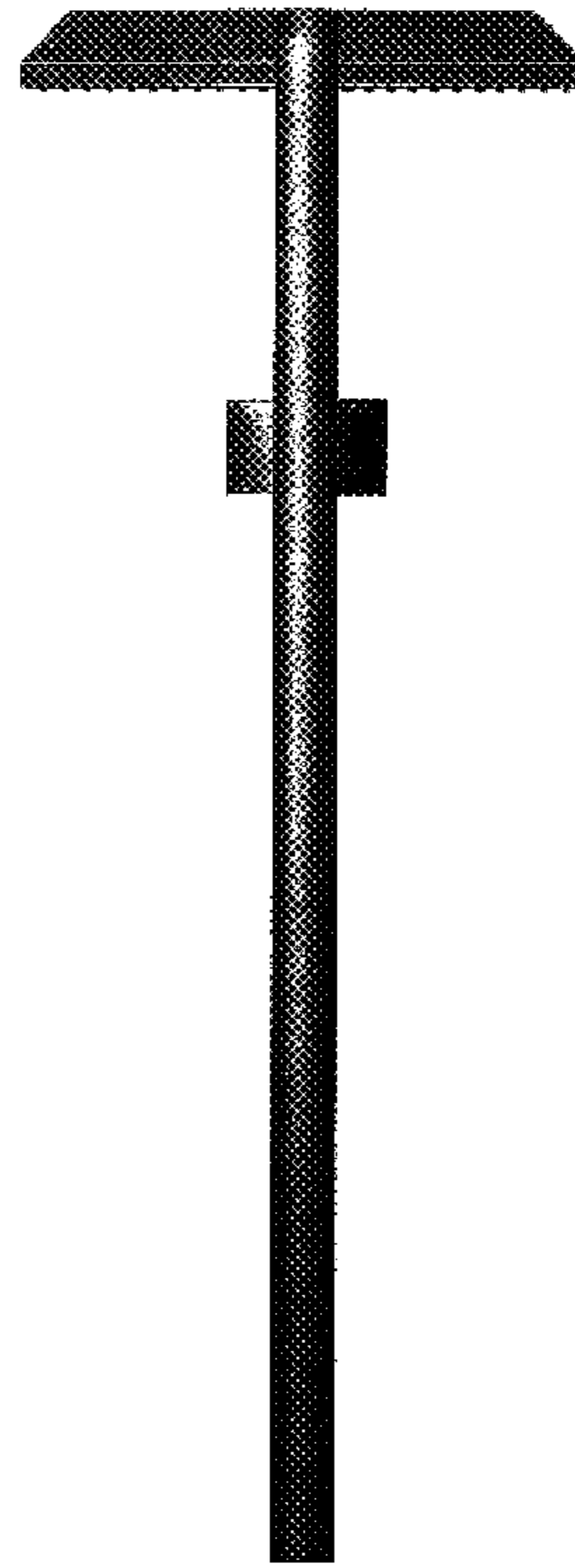


Fig. 7

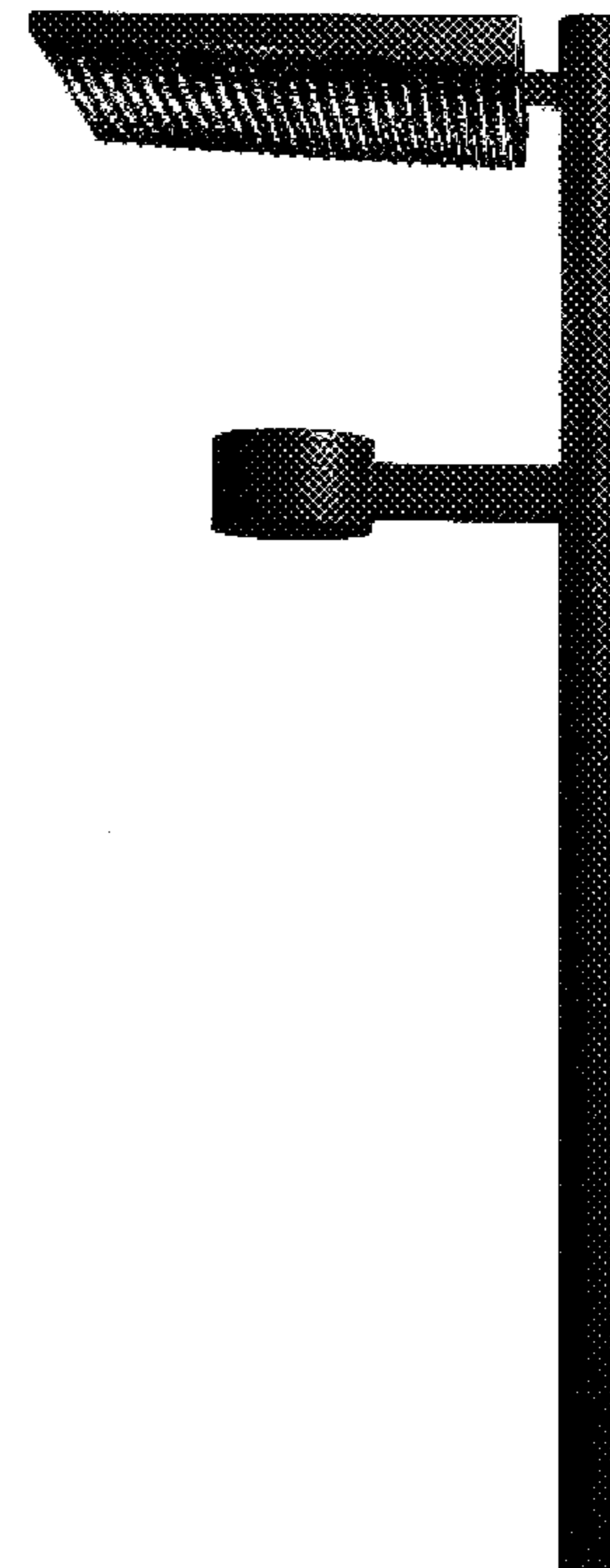


Fig. 8