



US00D522159S

(12) **United States Design Patent**  
**Chan**

(10) **Patent No.:** **US D522,159 S**

(45) **Date of Patent:** **\*\* May 30, 2006**

(54) **DESK LAMP**

D423,136 S \* 4/2000 Hsieh ..... D26/107  
D458,401 S \* 6/2002 Diffrient ..... D26/60

(76) Inventor: **Teng-Chiung Chan**, P.O. Box No.  
6-57, Junghe, Taipei 235 (TW)

\* cited by examiner

(\*\*) Term: **14 Years**

*Primary Examiner*—Clare E Heflin

(21) Appl. No.: **29/222,236**

(57) **CLAIM**

(22) Filed: **Jan. 28, 2005**

The ornamental design for a desk lamp, as shown and described.

(51) **LOC (8) Cl.** ..... **26-05**

**DESCRIPTION**

(52) **U.S. Cl.** ..... **D26/63**

(58) **Field of Classification Search** ..... D26/60–65,  
D26/93, 118, 107, 43, 51, 56; 362/269, 277,  
362/278, 282, 285, 287, 288, 410, 413, 418–430,  
362/449

FIG. 1 is a perspective view of the desk lamp showing my new design;  
FIG. 2 is a front view thereof;  
FIG. 3 is a back view thereof;  
FIG. 4 is a left side view thereof;  
FIG. 5 is a right side view thereof;  
FIG. 6 is a top view thereof; and,  
FIG. 7 is a bottom view thereof.

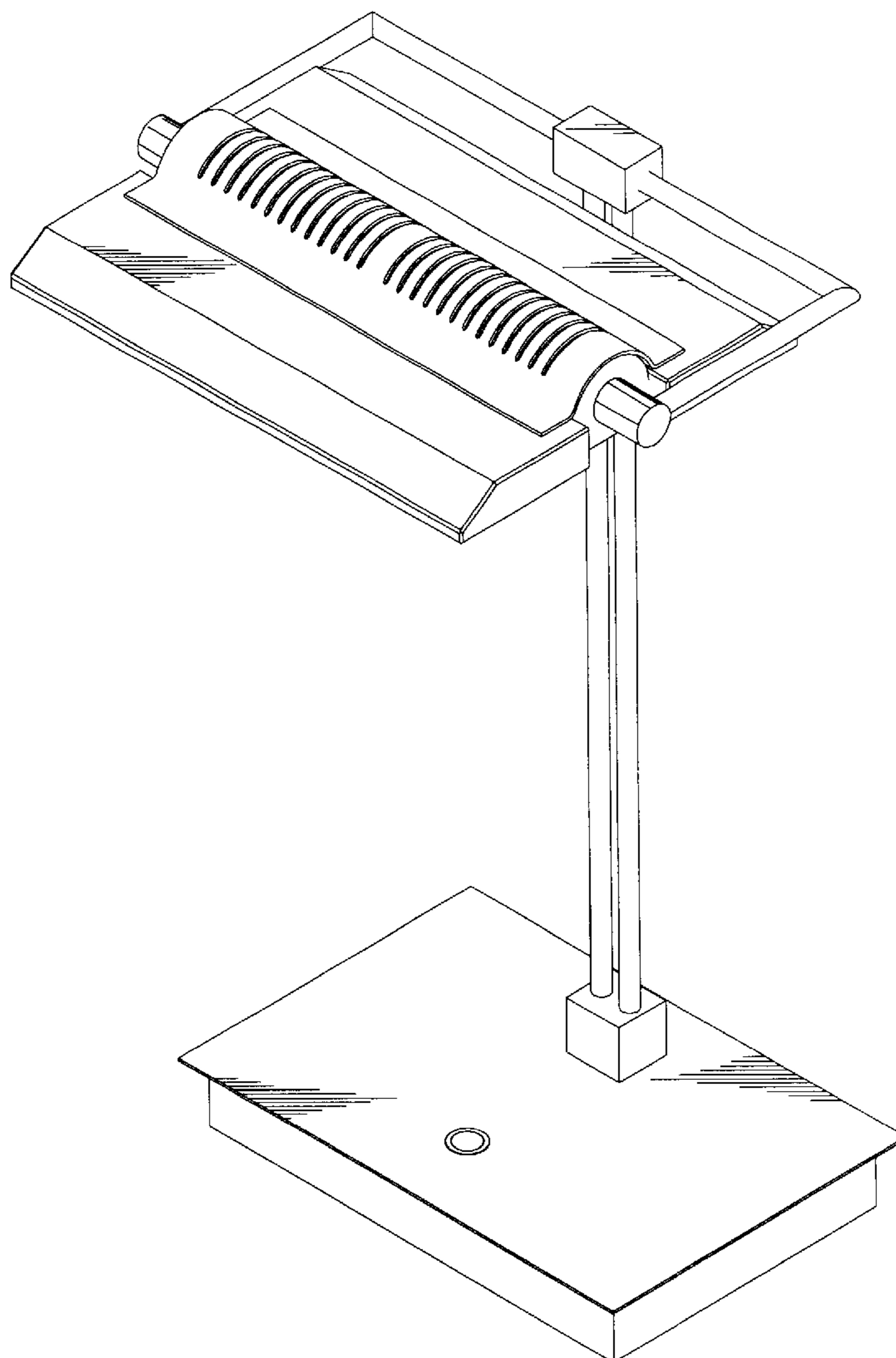
See application file for complete search history.

(56) **References Cited**

**U.S. PATENT DOCUMENTS**

D354,370 S \* 1/1995 Stromberg ..... D26/63

**1 Claim, 6 Drawing Sheets**



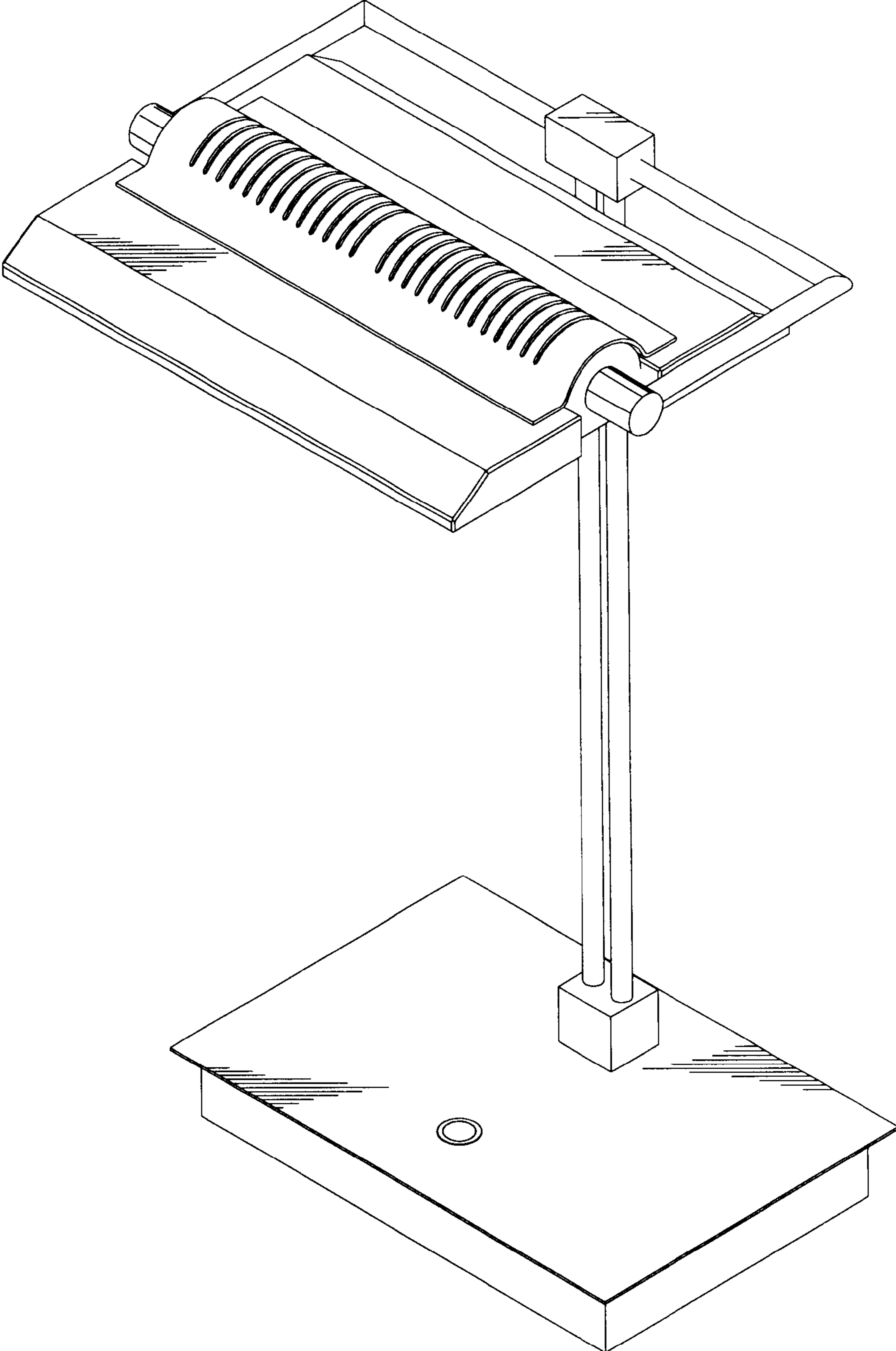


FIG. 1

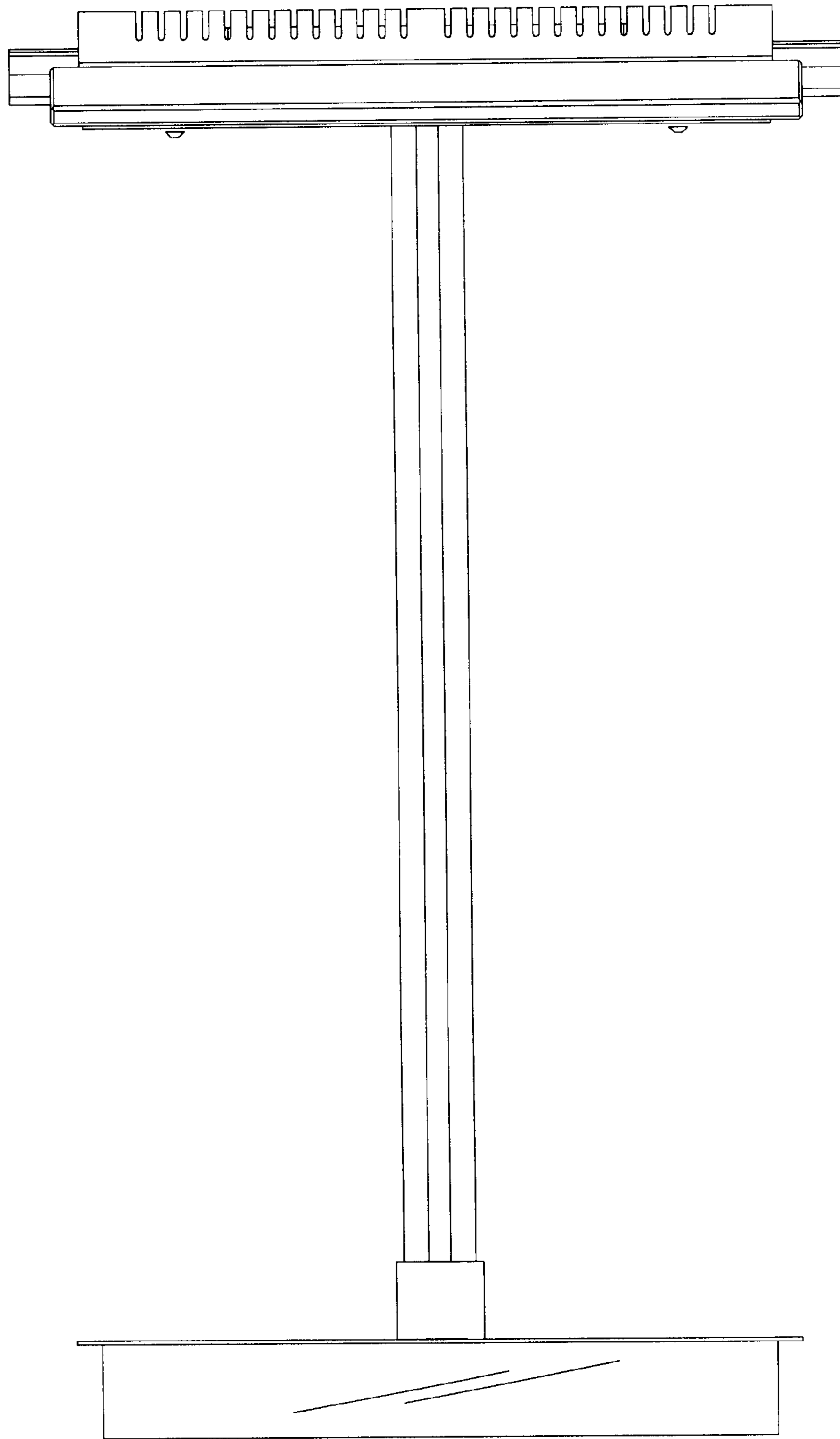


FIG. 2

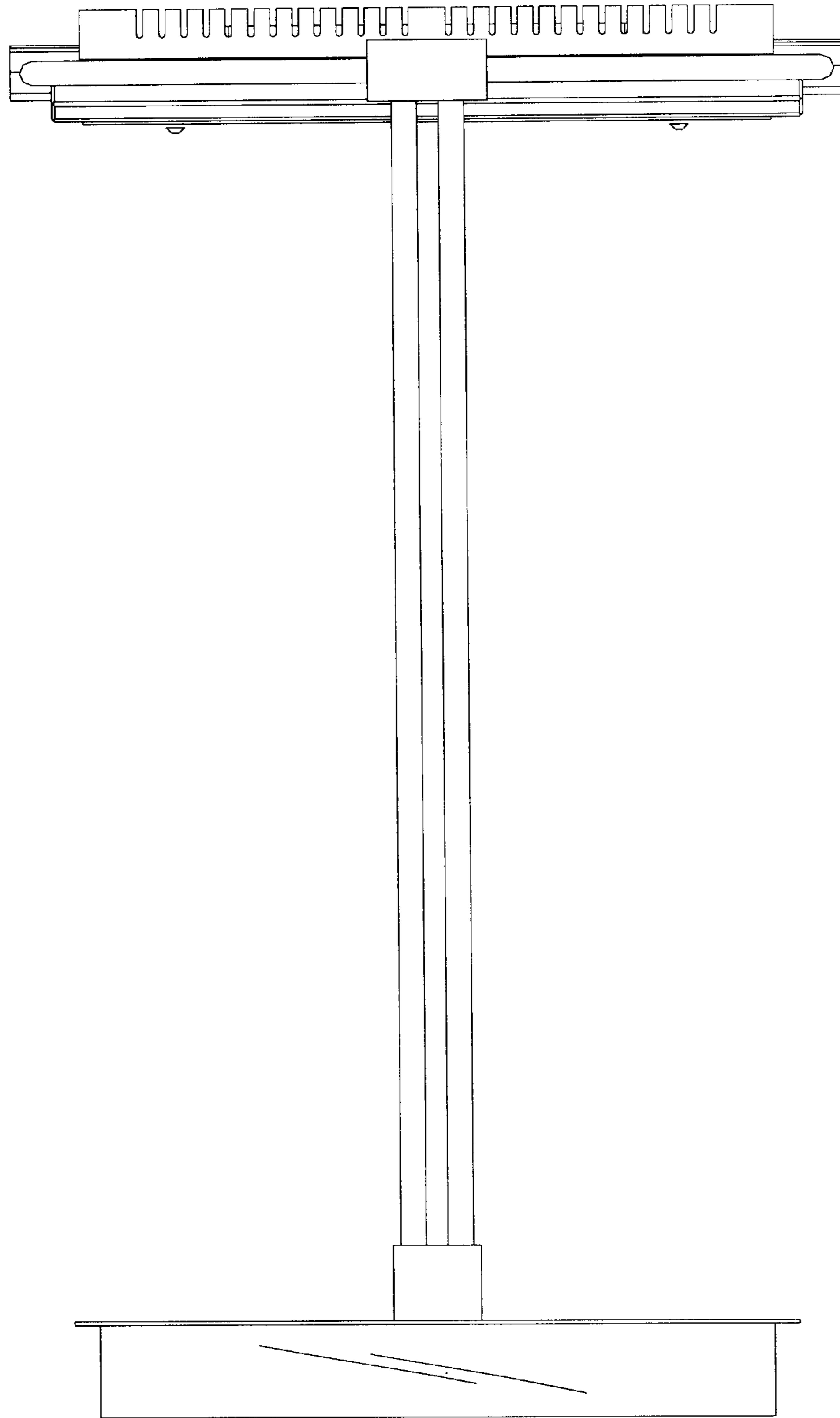


FIG. 3

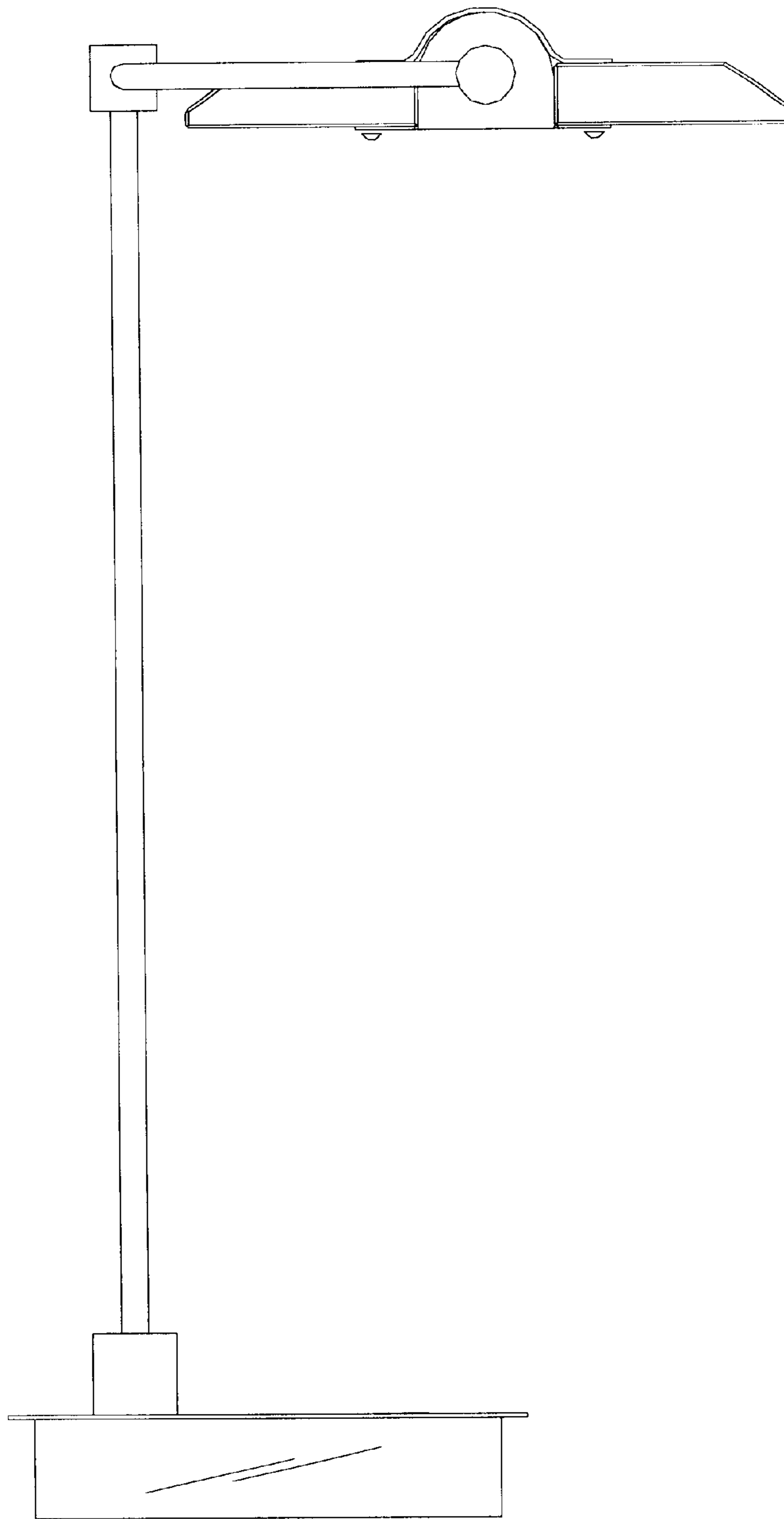


FIG. 4

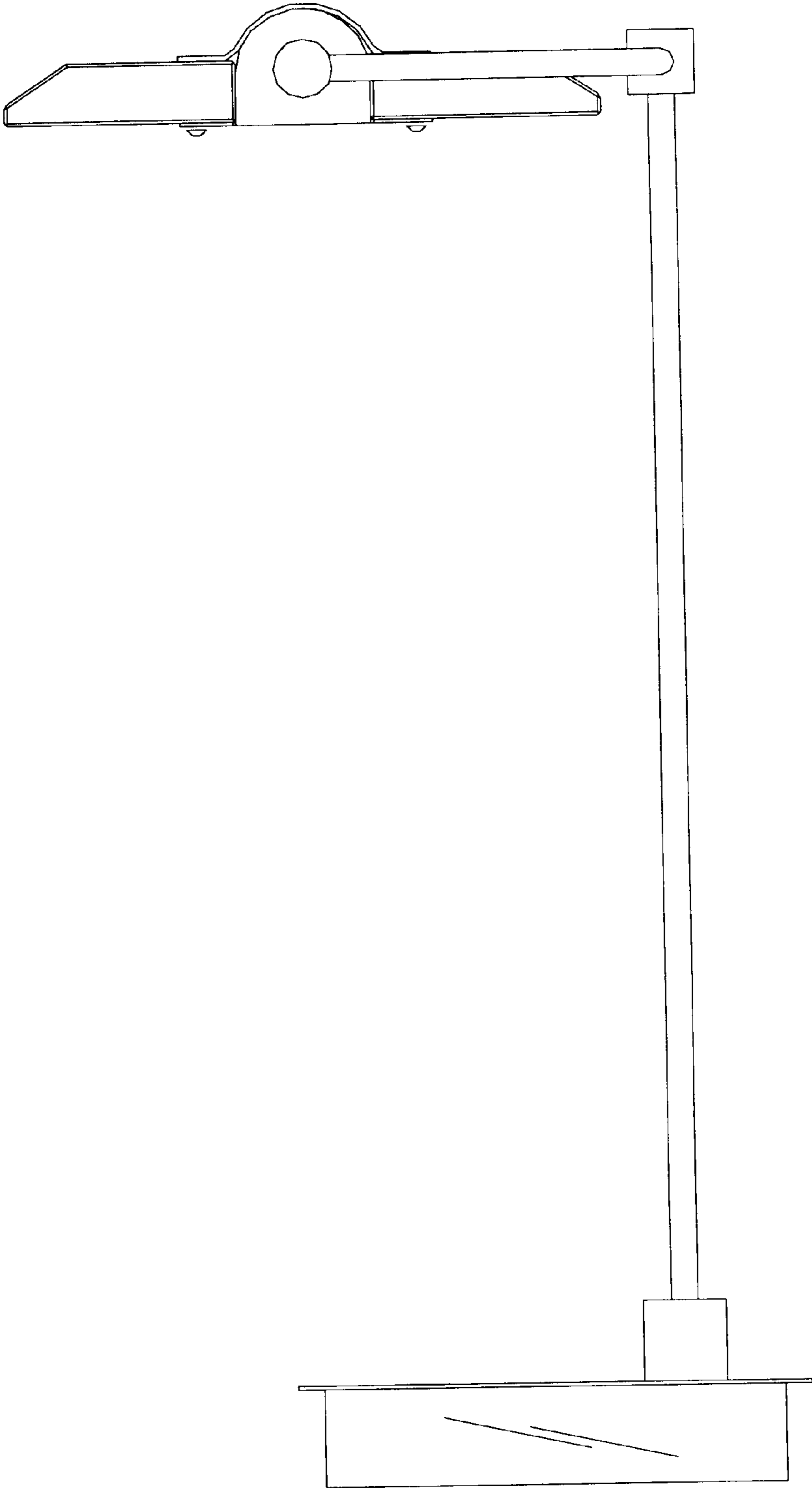


FIG. 5

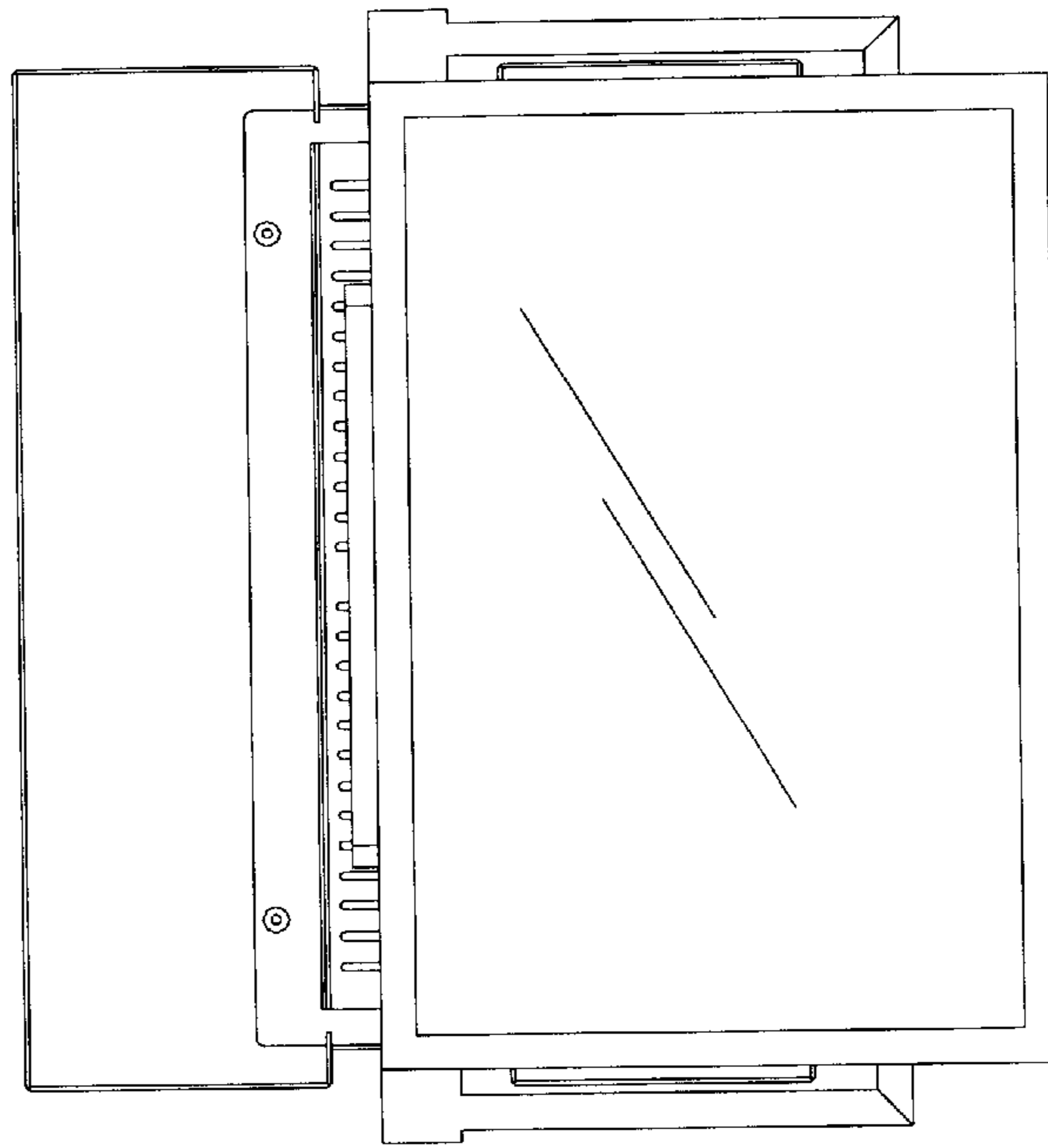


FIG. 7

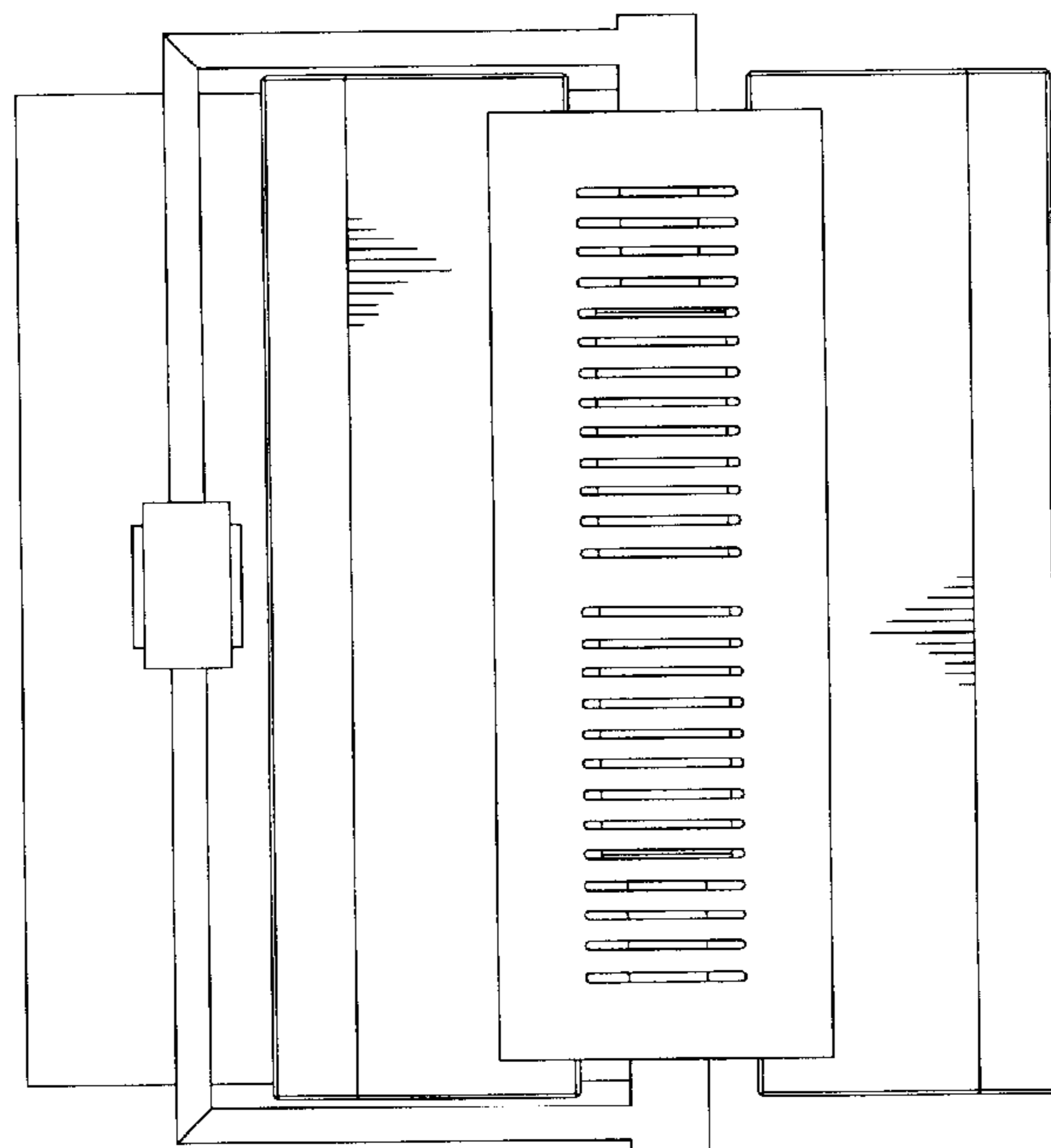


FIG. 6