



US00D522157S

(12) **United States Design Patent**  
**Schnell**

(10) **Patent No.:** **US D522,157 S**

(45) **Date of Patent:** **\*\* May 30, 2006**

(54) **BOOKLIGHT**

(75) Inventor: **Tim Schnell**, Rancho Santa Fe, CA  
(US)

(73) Assignee: **IP Holdings, Inc.**, Grand Prairie, TX  
(US)

(\*\*) Term: **14 Years**

(21) Appl. No.: **29/211,728**

(22) Filed: **Aug. 19, 2004**

(51) **LOC (8) Cl.** ..... **26-05**

(52) **U.S. Cl.** ..... **D26/60; D26/62**

(58) **Field of Classification Search** ..... D26/60-65,  
D26/93, 118, 107, 43, 51, 56; 362/269, 277,  
362/278, 282, 285, 287, 288, 410, 413, 418-430,  
362/449

See application file for complete search history.

(56) **References Cited**

**U.S. PATENT DOCUMENTS**

D271,526 S \* 11/1983 Zeller ..... D26/60  
D283,056 S \* 3/1986 Ansems ..... D26/61

D283,360 S \* 4/1986 Ansems ..... D26/60  
D318,862 S \* 8/1991 Geissel et al. .... D26/60  
D327,137 S \* 6/1992 Wu ..... D26/63  
D386,272 S \* 11/1997 Brown ..... D26/62  
D423,130 S \* 4/2000 Kung ..... D26/60  
D427,703 S \* 7/2000 Chan ..... D26/60  
D448,104 S \* 9/2001 Weitzman et al. .... D26/65

\* cited by examiner

*Primary Examiner*—Clare E Heflin

(74) *Attorney, Agent, or Firm*—Schwegman, Lundberg,  
Woessner & Kluth, P.A.

(57) **CLAIM**

The ornamental design for a booklight, as shown and described.

**DESCRIPTION**

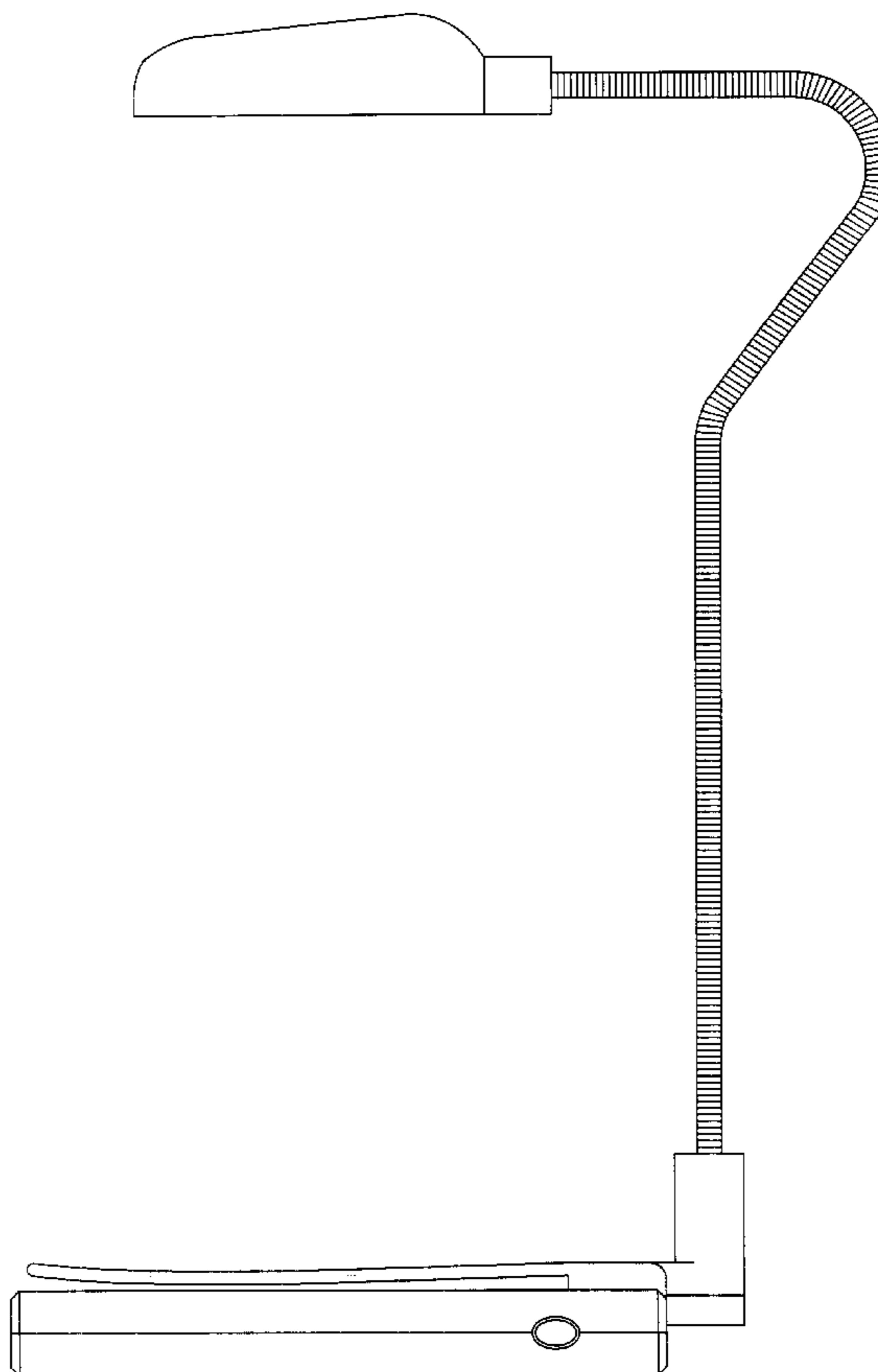
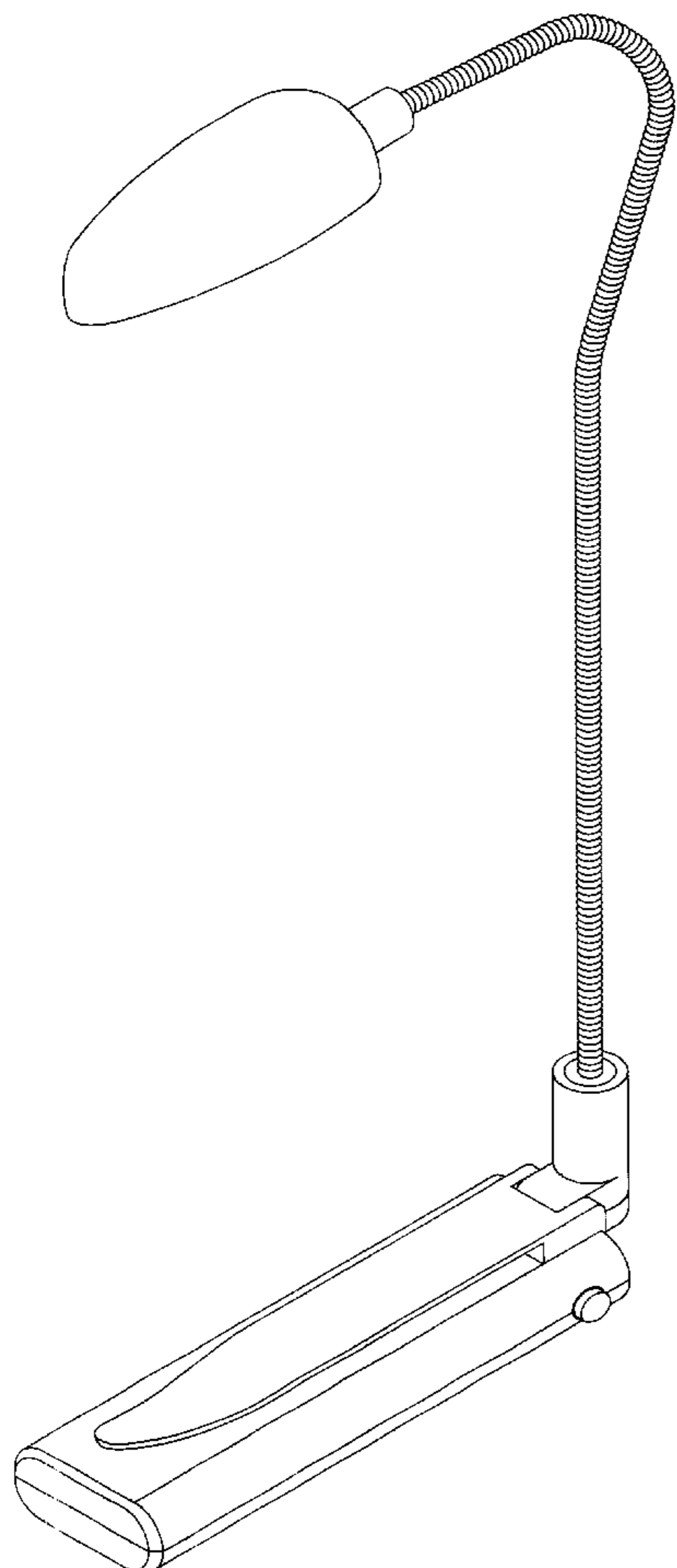
FIG. 1 is a perspective view of a booklight, incorporating the new design;

FIG. 2 is a right side view of the booklight of FIG. 1, the left side view being a mirror image of the right side view;

FIG. 3 is a front view of the booklight of FIG. 1; and,

FIG. 4 is a top view of the booklight of FIG. 1.

**1 Claim, 3 Drawing Sheets**



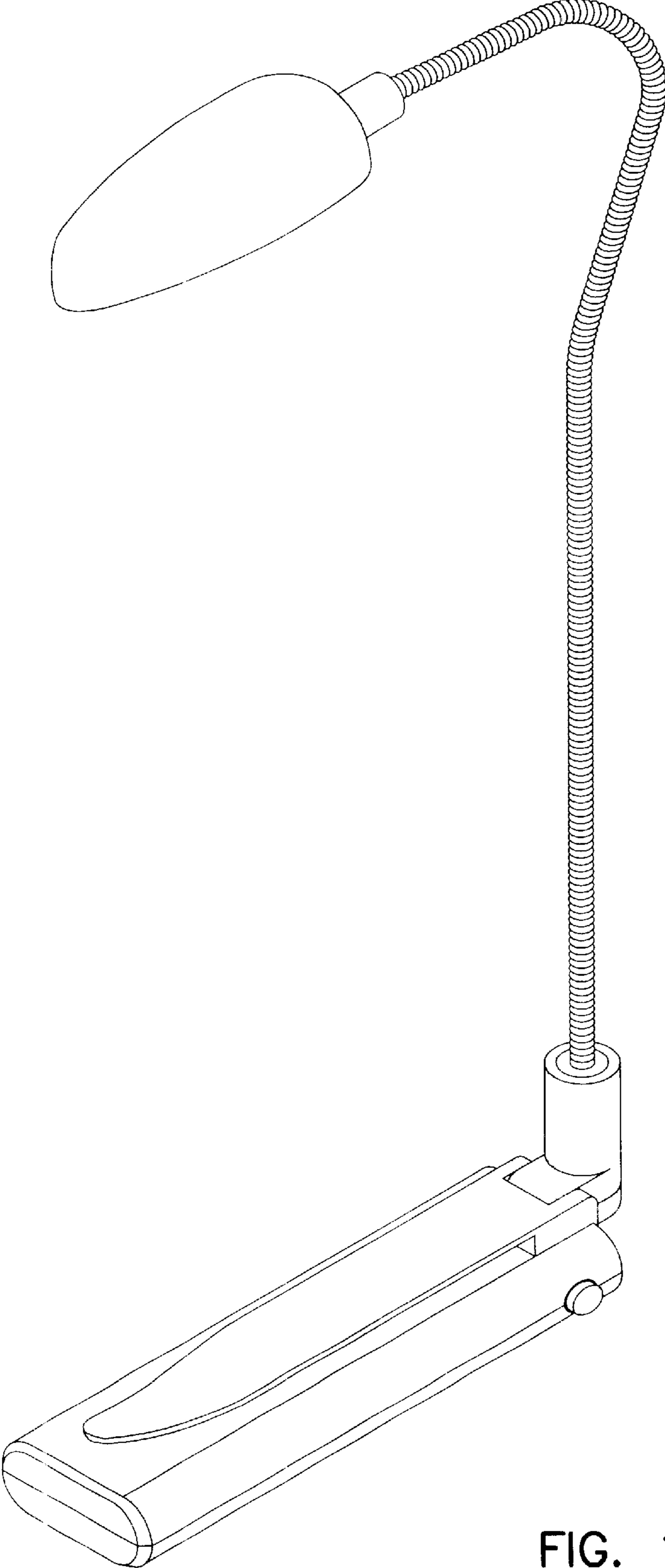


FIG. 1

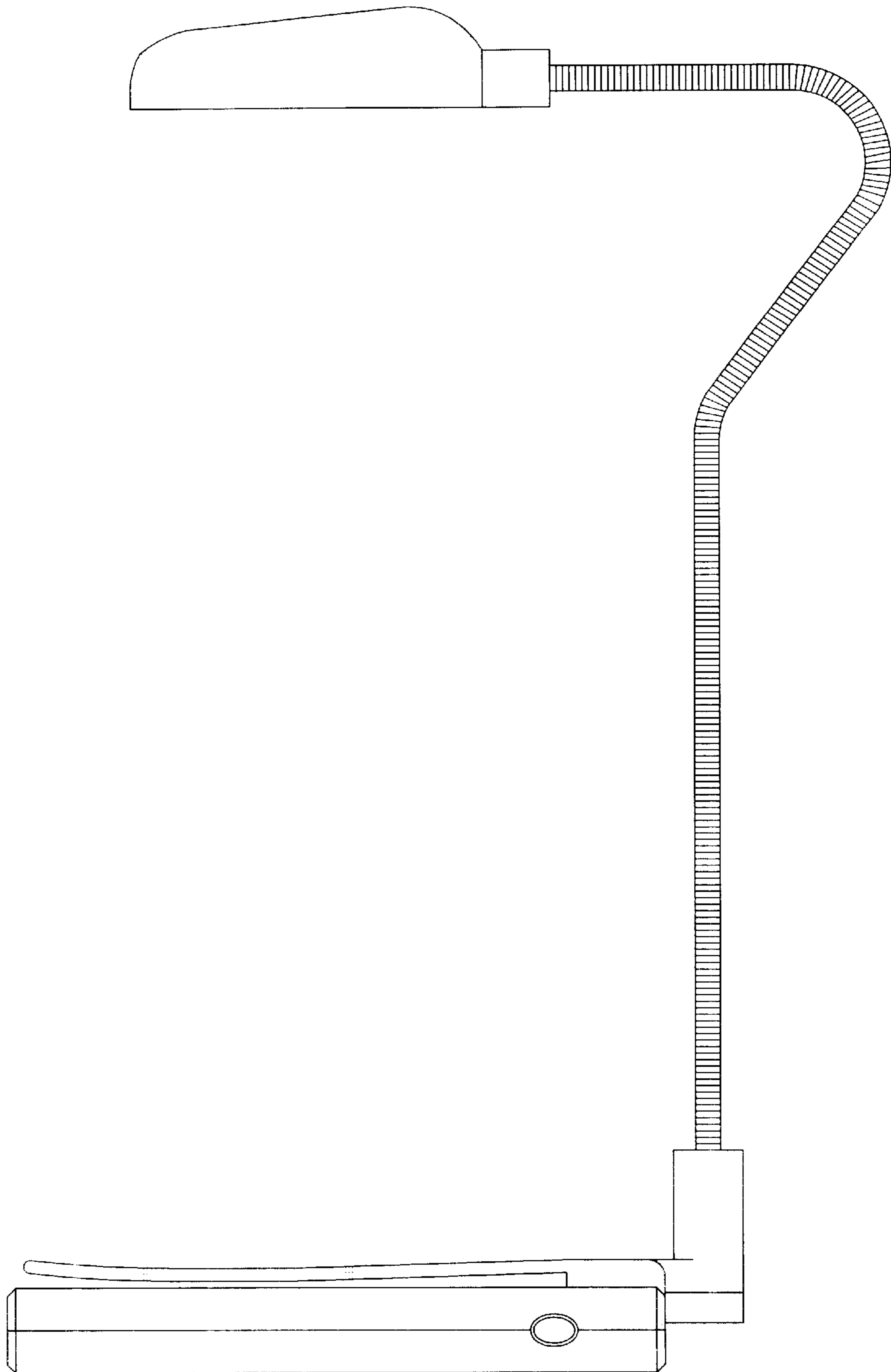


FIG. 2

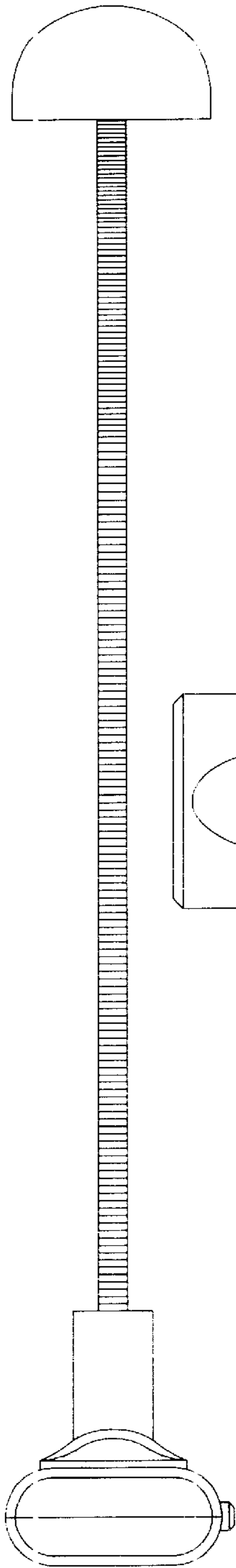


FIG. 3

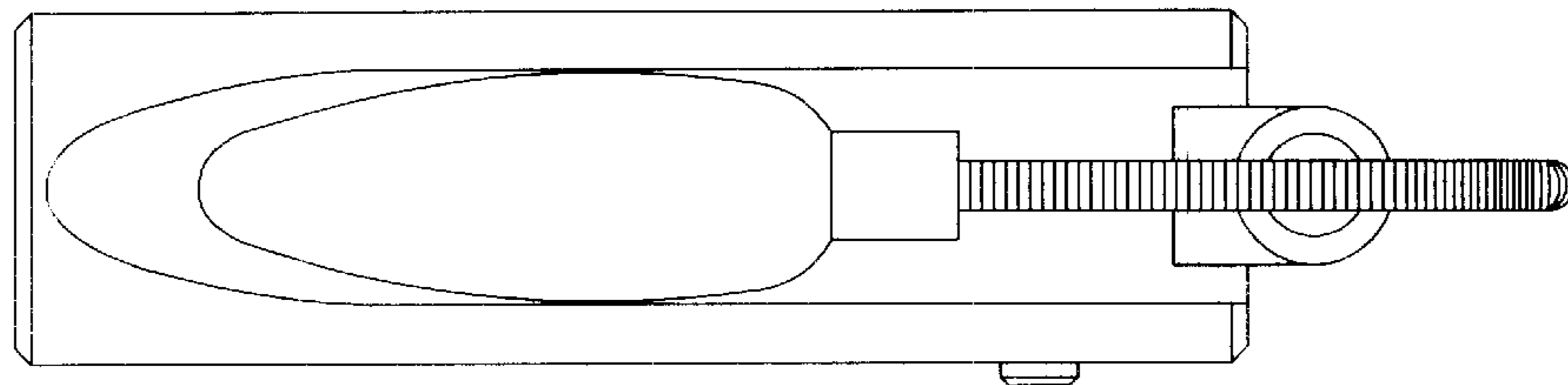


FIG. 4