



US00D522154S

(12) **United States Design Patent**
Man

(10) **Patent No.:** **US D522,154 S**

(45) **Date of Patent:** **** May 30, 2006**

(54) **FLASHLIGHT**

(75) **Inventor:** **Stephen Shiu Fai Man**, Hong Kong (HK)

(73) **Assignee:** **Dorcy International, Inc.**, Columbus, OH (US)

(**) **Term:** **14 Years**

(21) **Appl. No.:** **29/227,281**

(22) **Filed:** **Apr. 7, 2005**

(51) **LOC (8) Cl.** **26-02**

(52) **U.S. Cl.** **D26/49**

(58) **Field of Classification Search** D26/37-50;
362/157, 158, 171-174, 183-208
See application file for complete search history.

(56) **References Cited**

U.S. PATENT DOCUMENTS

4,777,582 A	10/1988	Sharrah	
D306,492 S	3/1990	Sharrah	
D307,488 S	4/1990	Sharrah	
D310,425 S	9/1990	Sharrah	
D312,509 S	11/1990	Sharrah	
D351,675 S	10/1994	Sharrah et al.	
D353,216 S	12/1994	Sharrah et al.	
5,432,689 A	7/1995	Sharrah et al.	
5,486,432 A	1/1996	Sharrah et al.	
D409,777 S	5/1999	Sharrah et al.	
6,183,106 B1	2/2001	Thummel et al.	
RE37,092 E	3/2001	Sharrah et al.	
6,250,771 B1	6/2001	Sharrah et al.	
D468,850 S	1/2003	Sharrah et al.	
6,547,415 B1	4/2003	Matthews	
D479,354 S	9/2003	Sharrah et al.	
D481,816 S	11/2003	Sharrah et al.	
6,659,621 B1	12/2003	Sharrah et al.	
6,712,485 B1	3/2004	Matthews	
D496,115 S *	9/2004	Lin D26/49

D497,020 S * 10/2004 Lee D26/49
2002/0154500 A1 10/2002 Matthews
2003/0021109 A1 1/2003 Matthew et al.
2003/0202345 A1 10/2003 Kim

OTHER PUBLICATIONS

http://www.surefire.com/maxexp/main/co_disp/displ/prfnbr/900/sesent/00.
http://www.surefire.com/maxexp/main/co_disp/displ/prfnbr/803/sesent/00.
http://www.surefire.com/maxexp/main/co_disp/displ/prfnbr/888/sesent/00.
http://www.surefire.com/maxexp/main/co_disp/displ/prfnbr/831/sesent/00.
http://www.surefire.com/maxexp/main/co_disp/displ/prfnbr/932/sesent/00.
http://www.surefire.com/maxexp/main/co_disp/displ/prfnbr/387/sesent/00.

* cited by examiner

Primary Examiner—Marcus A. Jackson
(74) *Attorney, Agent, or Firm*—Kilpatrick Stockton LLP

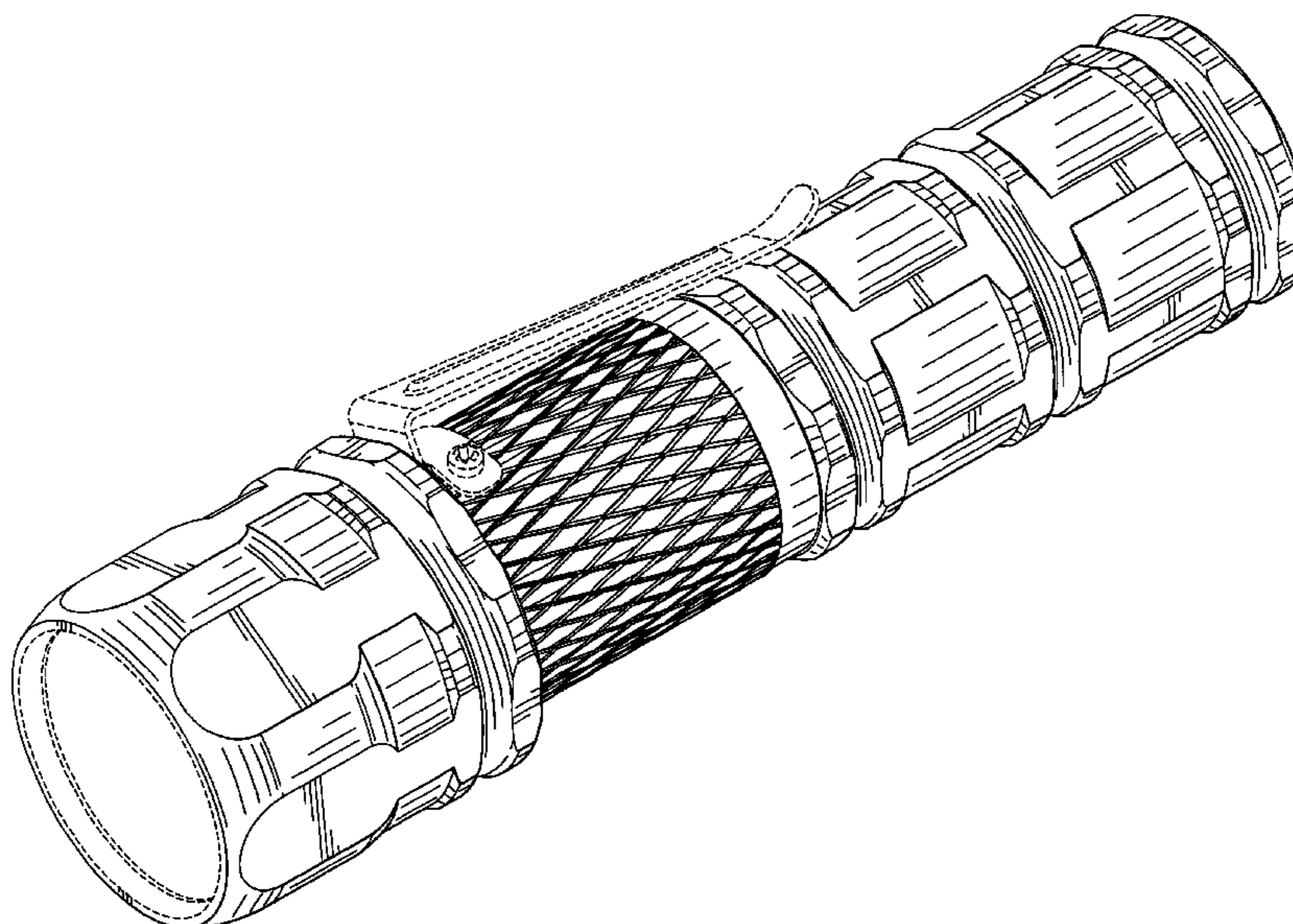
(57) **CLAIM**

The ornamental design for a flashlight, as shown and described.

DESCRIPTION

FIG. 1 shows a perspective view of a flashlight according to the present invention.
FIG. 2 shows a front view of the flashlight of FIG. 1.
FIG. 3 shows a right side view of the flashlight of FIG. 1, the left side view being a mirror image of the right side view.
FIG. 4 shows a rear view of the flashlight of FIG. 1.
FIG. 5 shows a top view of the flashlight of FIG. 1; and,
FIG. 6 shows a bottom view of the flashlight of FIG. 1.
The broken lines are for illustrative purposes only, and form no part of the claimed design.

1 Claim, 3 Drawing Sheets



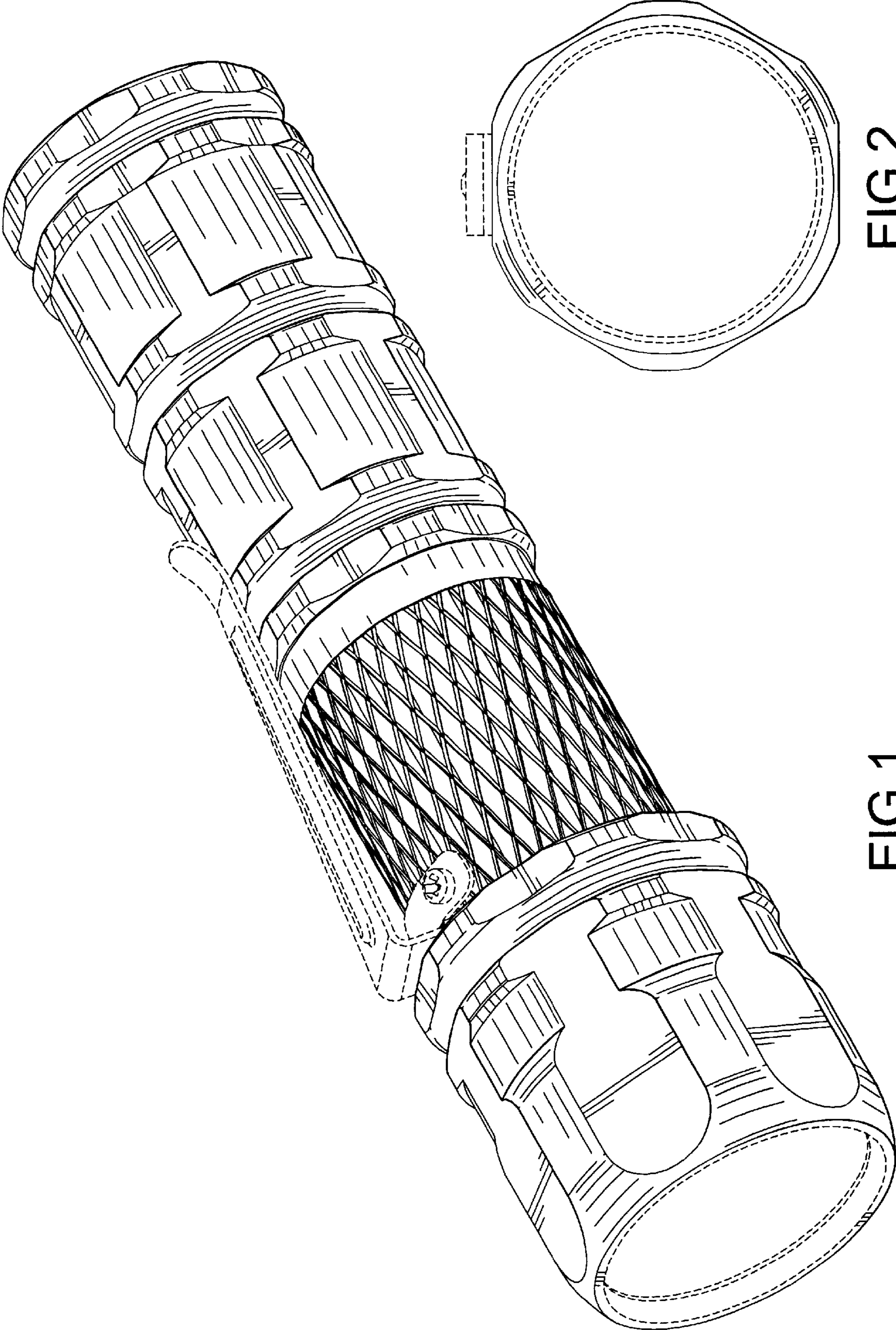


FIG. 2

FIG. 1

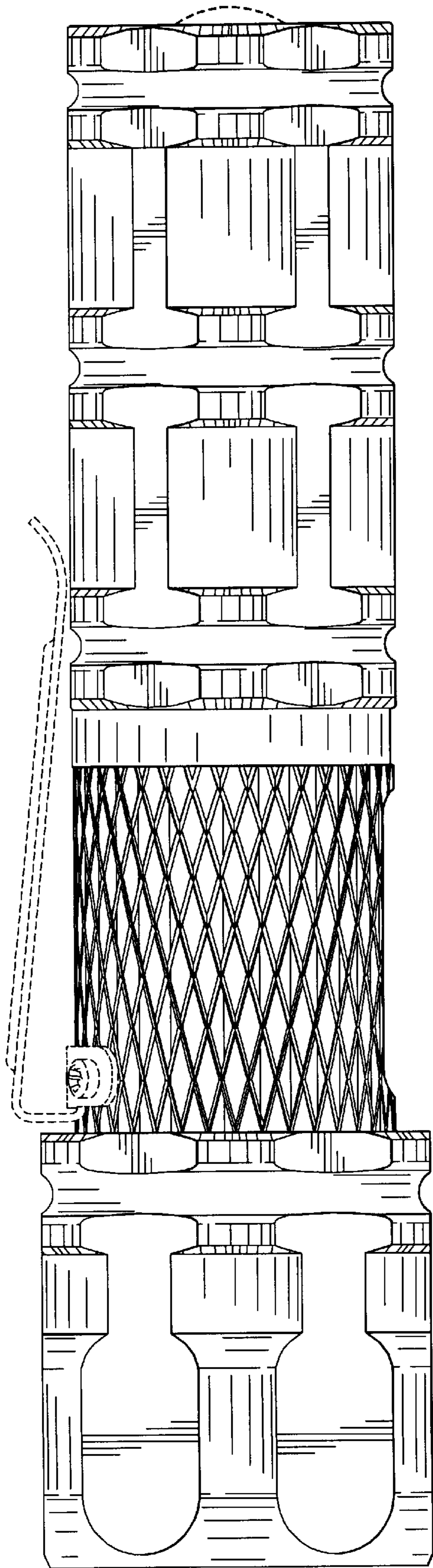


FIG.3

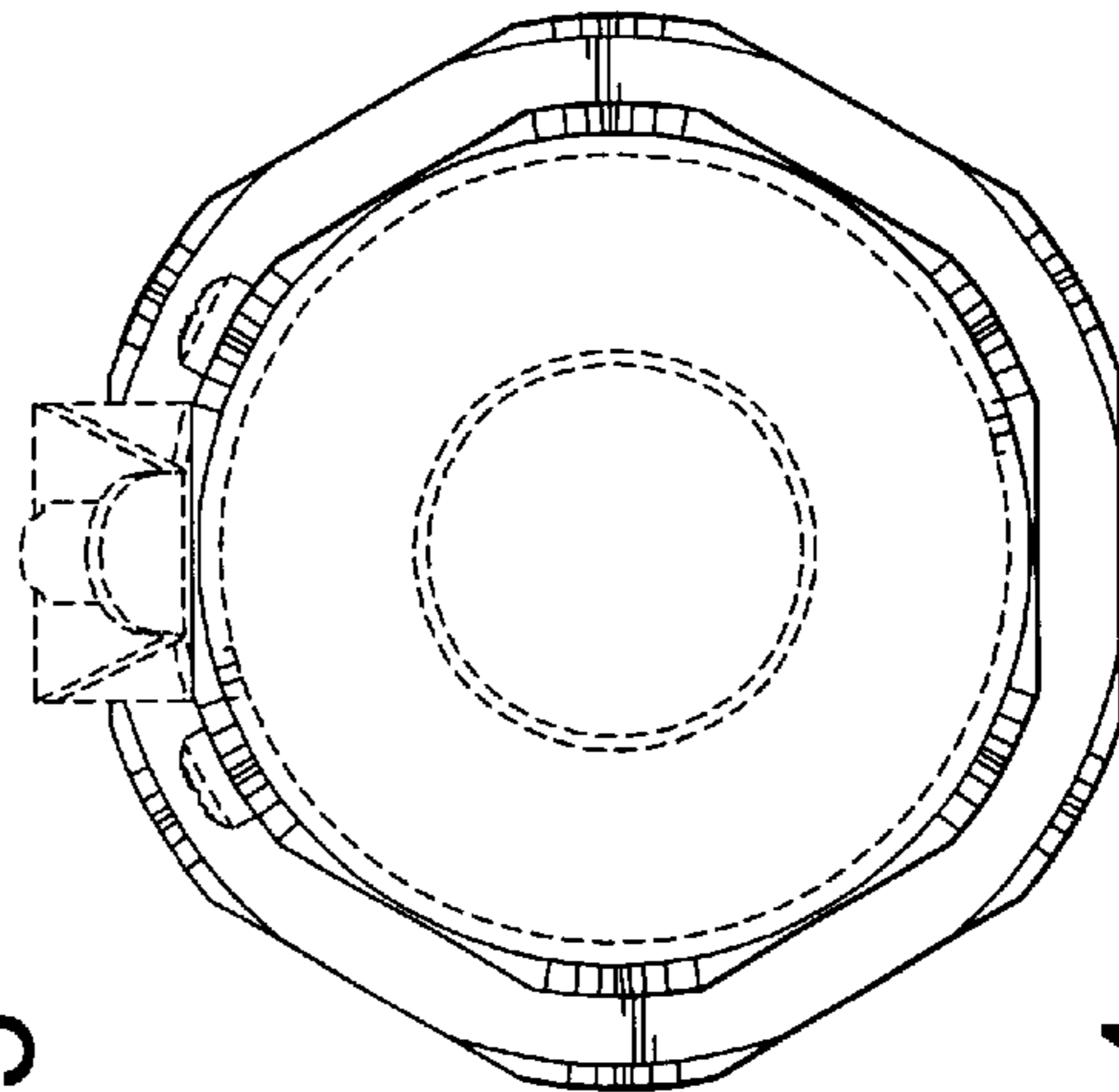


FIG.4

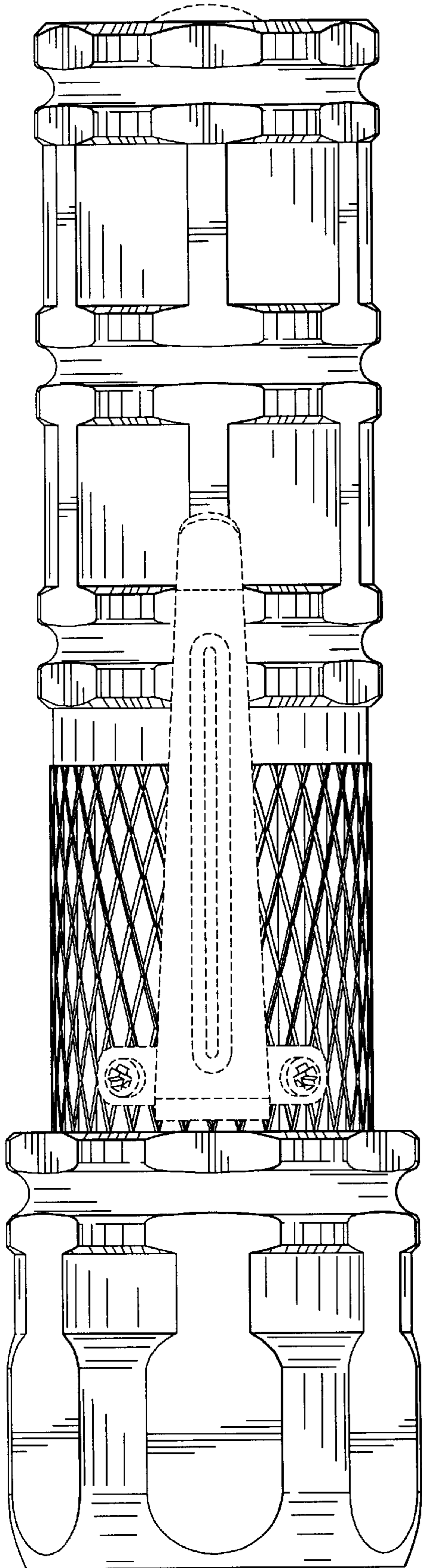


FIG. 5

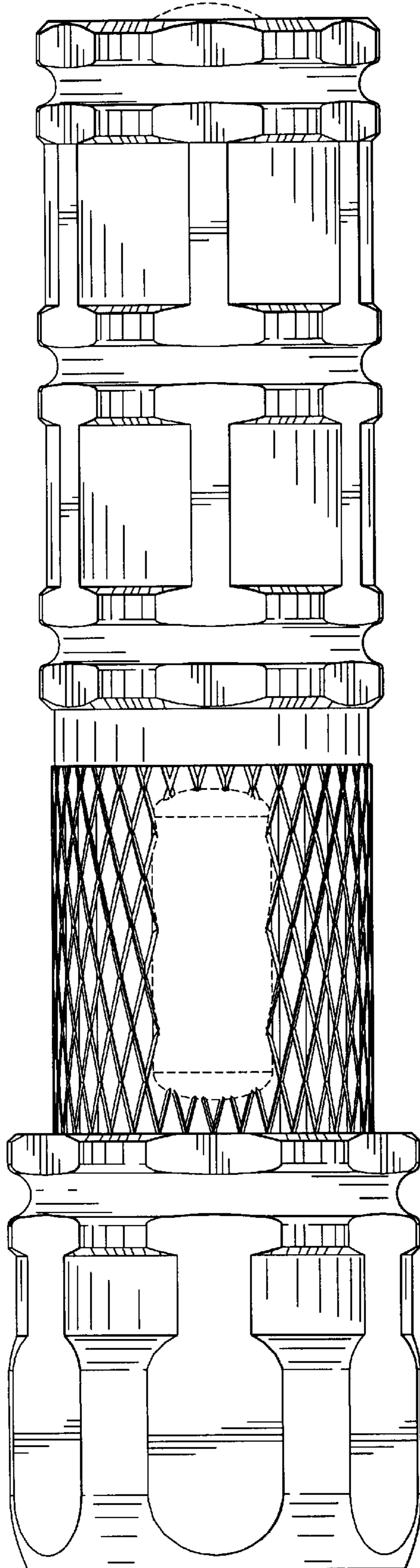


FIG. 6