

US00D522148S

(12) **United States Design Patent**
Poliacek et al.

(10) **Patent No.:** **US D522,148 S**

(45) **Date of Patent:** **** May 30, 2006**

(54) **POINTED TILE MODULE**

(75) Inventors: **Jiri Poliacek**, Hawthorn, CA (US);
Jirina Jordan, Hawthorn, CA (US)

(73) Assignee: **Custom Dream Floor, Inc.**, Gardena,
CA (US)

(**) Term: **14 Years**

(21) Appl. No.: **29/193,019**

(22) Filed: **Oct. 30, 2003**

(51) **LOC (8) Cl.** **25-01**

(52) **U.S. Cl.** **D25/121**

(58) **Field of Classification Search** 52/578,
52/588.1, 586.1, 586.2, 589.1, 591.1; D25/121
See application file for complete search history.

(56) **References Cited**

U.S. PATENT DOCUMENTS

1,444,611	A	*	2/1923	Johansson	52/578
1,602,256	A	*	10/1926	Sellin	52/591.1
5,438,809	A		8/1995	Ehrlich	52/390
5,447,004	A		9/1995	Vrnak	52/387
RE35,380	E		11/1996	Rea et al.	52/287

6,138,423	A		10/2000	Poutanen et al.	52/384
6,260,326	B1		7/2001	Muller-Hartburg	52/601
D455,844	S	*	4/2002	Dyck	D25/121
6,427,413	B1	*	8/2002	Lafrance	52/578

* cited by examiner

Primary Examiner—Doris Clark

(74) *Attorney, Agent, or Firm*—Cisco & Thomas LLP

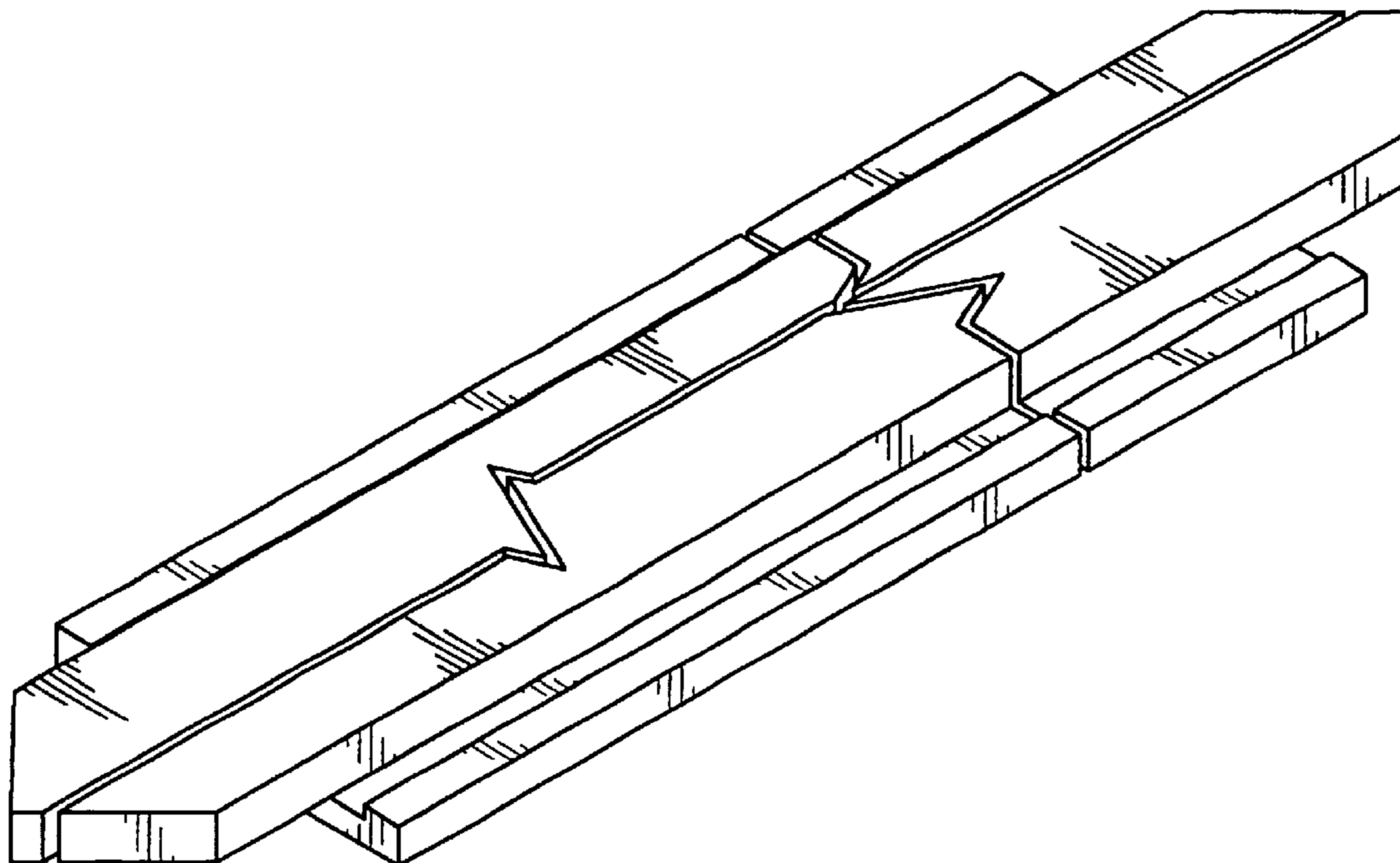
(57) **CLAIM**

The ornamental design for a pointed tile module, as shown and described.

DESCRIPTION

FIG. 1 is a front perspective view of our pointed tile module; FIG. 2 is a top plan view thereof; FIG. 3 is a front elevational view thereof; FIG. 4 is a left side elevational view thereof; FIG. 5 is a front perspective view of a second embodiment of a pointed tile module; FIG. 6 is a top plan view thereof; FIG. 7 is a front elevational view thereof; FIG. 8 is a left side elevational view thereof; and, FIG. 9 is a right side elevational view thereof.

1 Claim, 4 Drawing Sheets



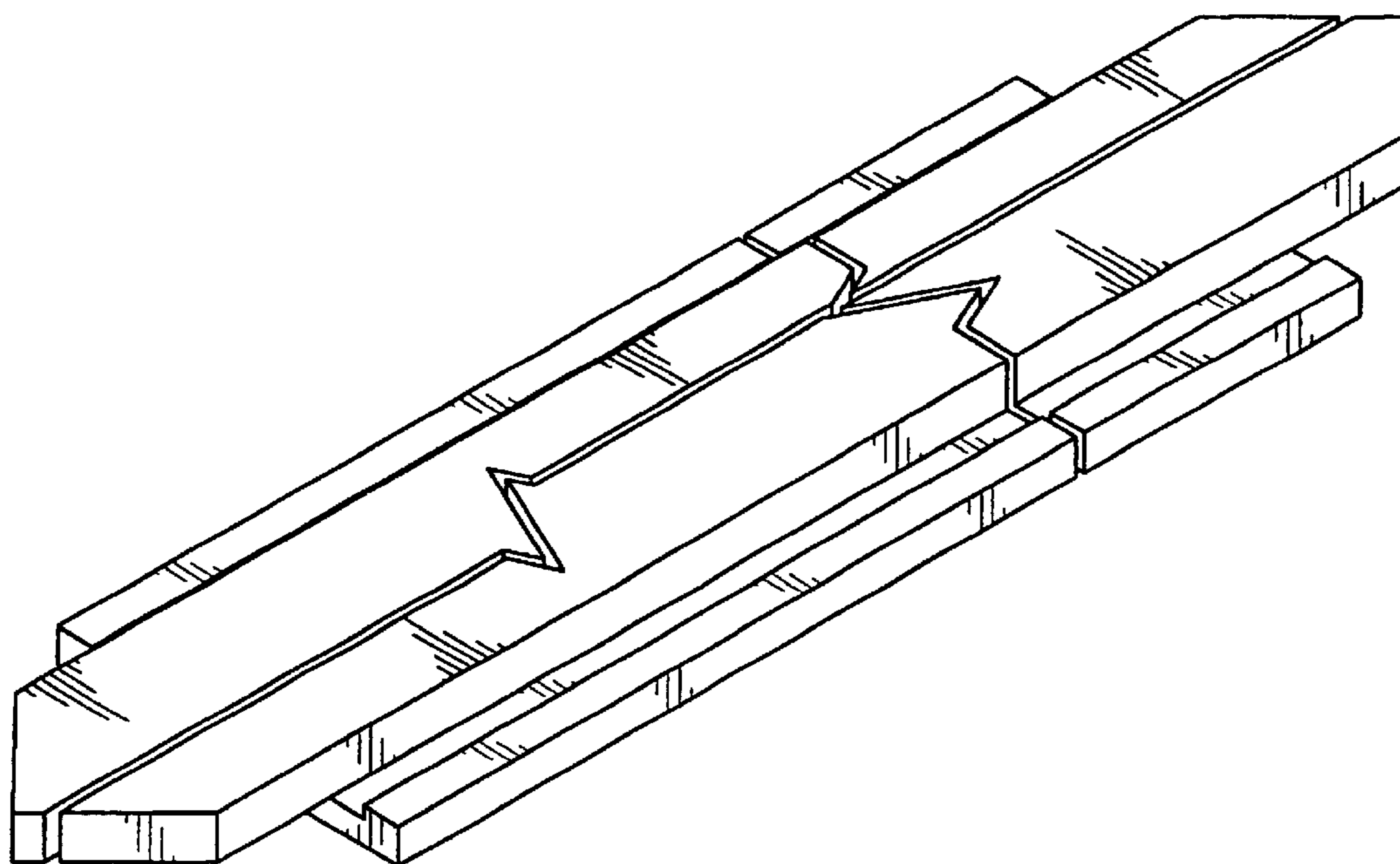


FIG. 1

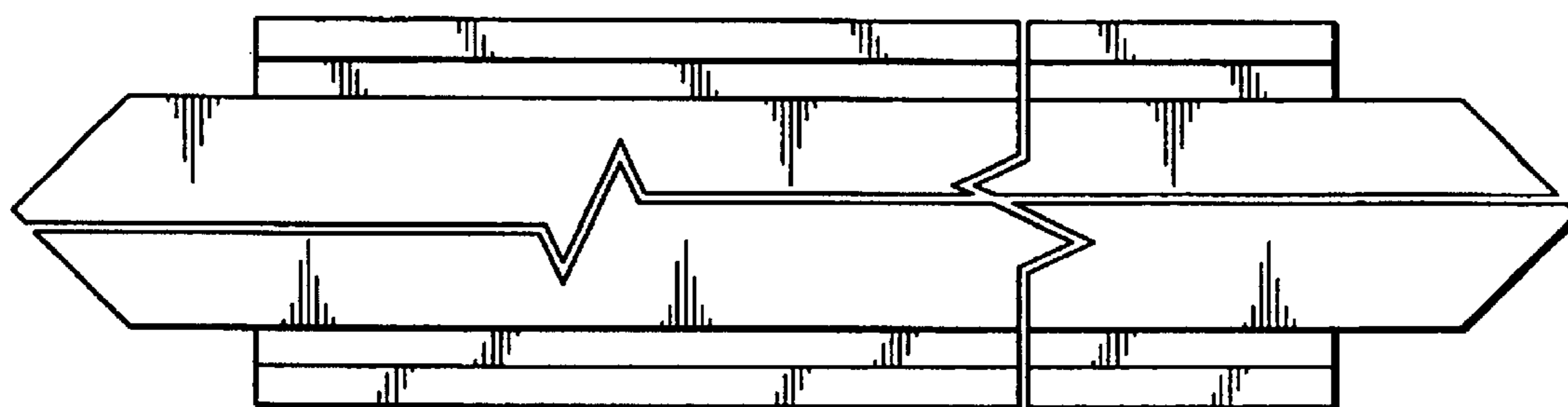


FIG. 2



FIG. 3



FIG. 4

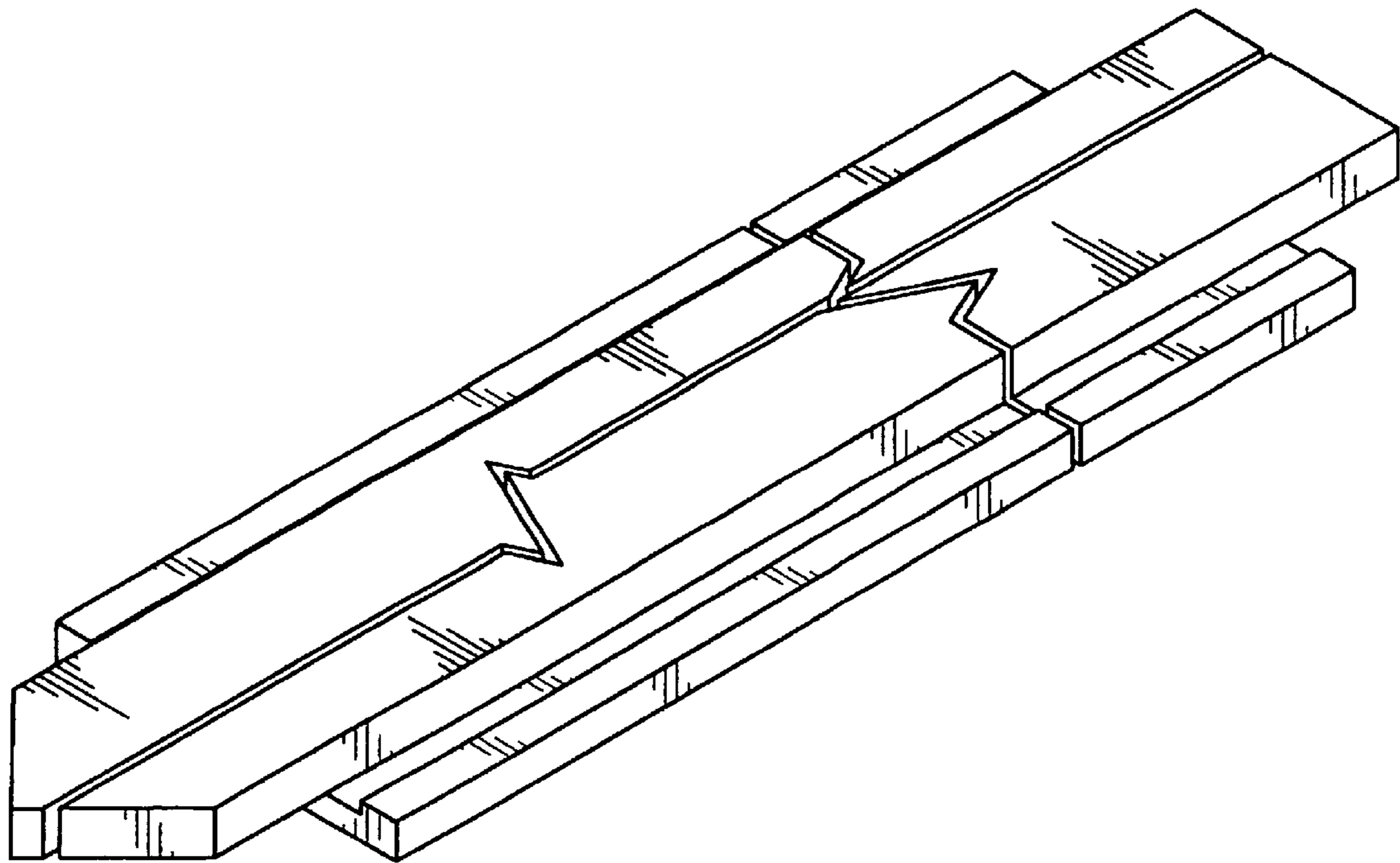


FIG. 5

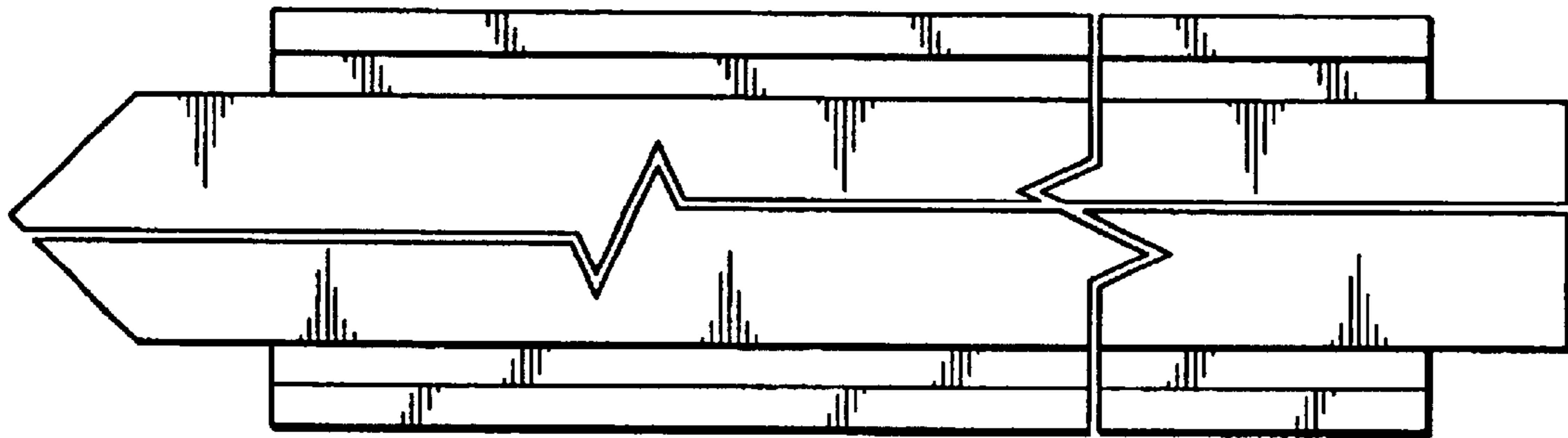


FIG. 6

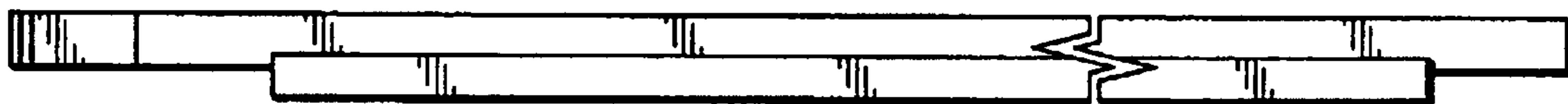


FIG. 7



FIG. 8



FIG. 9