

US00D522147S

(12) **United States Design Patent** (10) **Patent No.:** **US D522,147 S**
Morton et al. (45) **Date of Patent:** **** May 30, 2006**

(54) **DECK PLANK RETAINING STRIP**

(56) **References Cited**

(75) Inventors: **Philip G. Morton**, Germantown, OH (US); **David A. Stammen**, Dayton, OH (US); **Todd J. Hamilton**, Middletown, OH (US); **Scott A. Ricke**, Trenton, OH (US)

U.S. PATENT DOCUMENTS

4,439,969 A * 4/1984 Bartlett 52/461
5,850,716 A * 12/1998 Thompson et al. 52/177
D432,671 S * 10/2000 Grosfillex D25/119
6,167,667 B1 * 1/2001 Balaban 52/395
6,484,467 B1 11/2002 Crout
6,763,643 B1 * 7/2004 Mårtensson 52/586.1

(73) Assignee: **Deceuninck North America, LLC**,
Monroe, OH (US)

* cited by examiner

(**) Term: **14 Years**

Primary Examiner—Doris Clark

(21) Appl. No.: **29/228,491**

(74) *Attorney, Agent, or Firm*—Jacox, Meckstroth & Jenkins

(22) Filed: **Apr. 25, 2005**

(57) **CLAIM**

Related U.S. Application Data

The ornamental design of a deck plank retaining strip, as shown and described.

(63) Continuation of application No. 10/374,338, filed on Feb. 26, 2003.

DESCRIPTION

(51) **LOC (8) Cl.** **25-01**

(52) **U.S. Cl.** **D25/119**

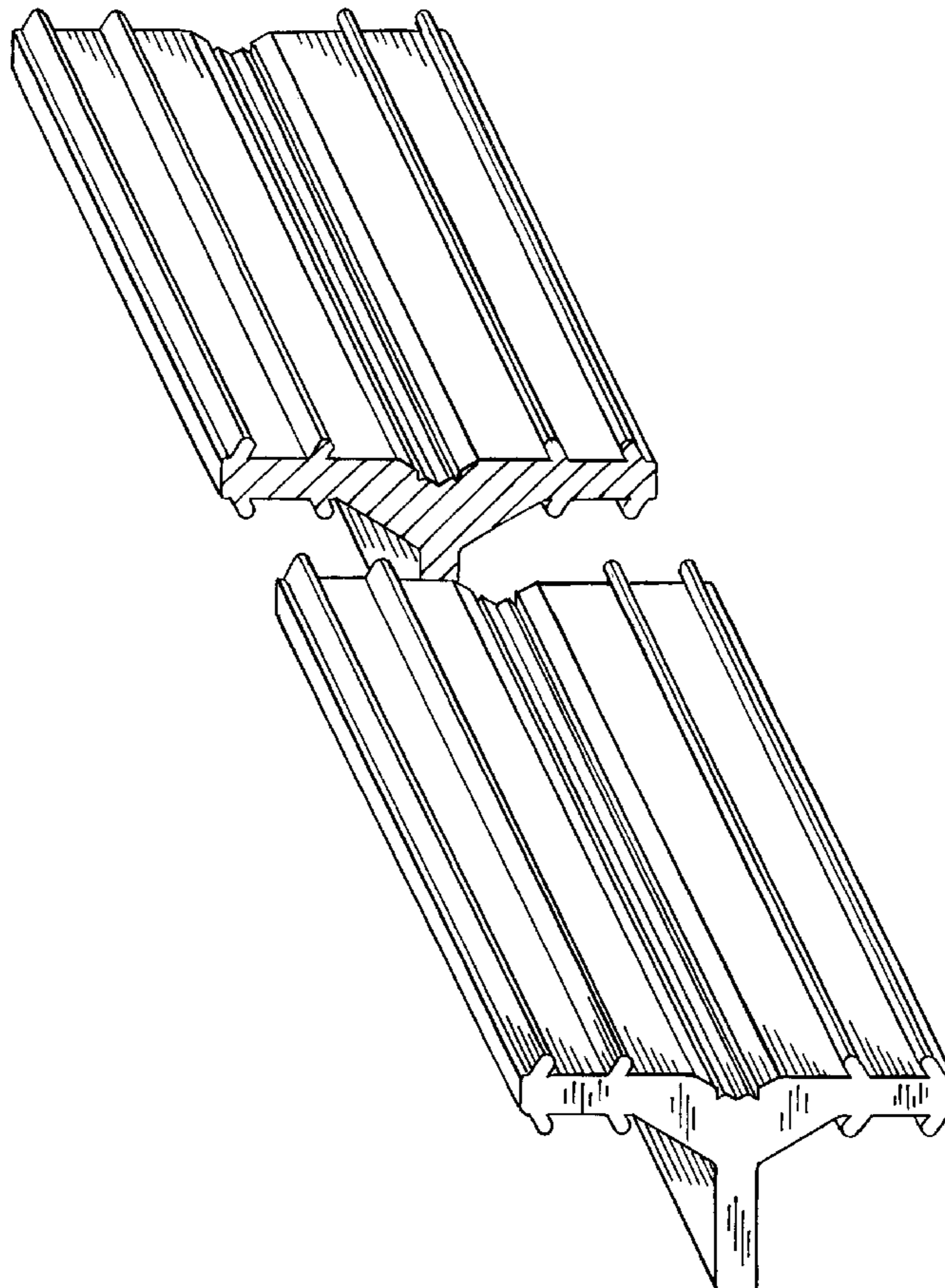
(58) **Field of Classification Search** D25/119;
52/242, 273, 416, 459, 461, 465, 582.1, 586.2,
52/585.1

FIG. 1 is a perspective view of a deck plank retaining strip, showing our new design, with a middle portion broken away to disclose indefinite length; and,

FIG. 2 is an end view thereof, the opposite end view being a mirror image.

See application file for complete search history.

1 Claim, 1 Drawing Sheet



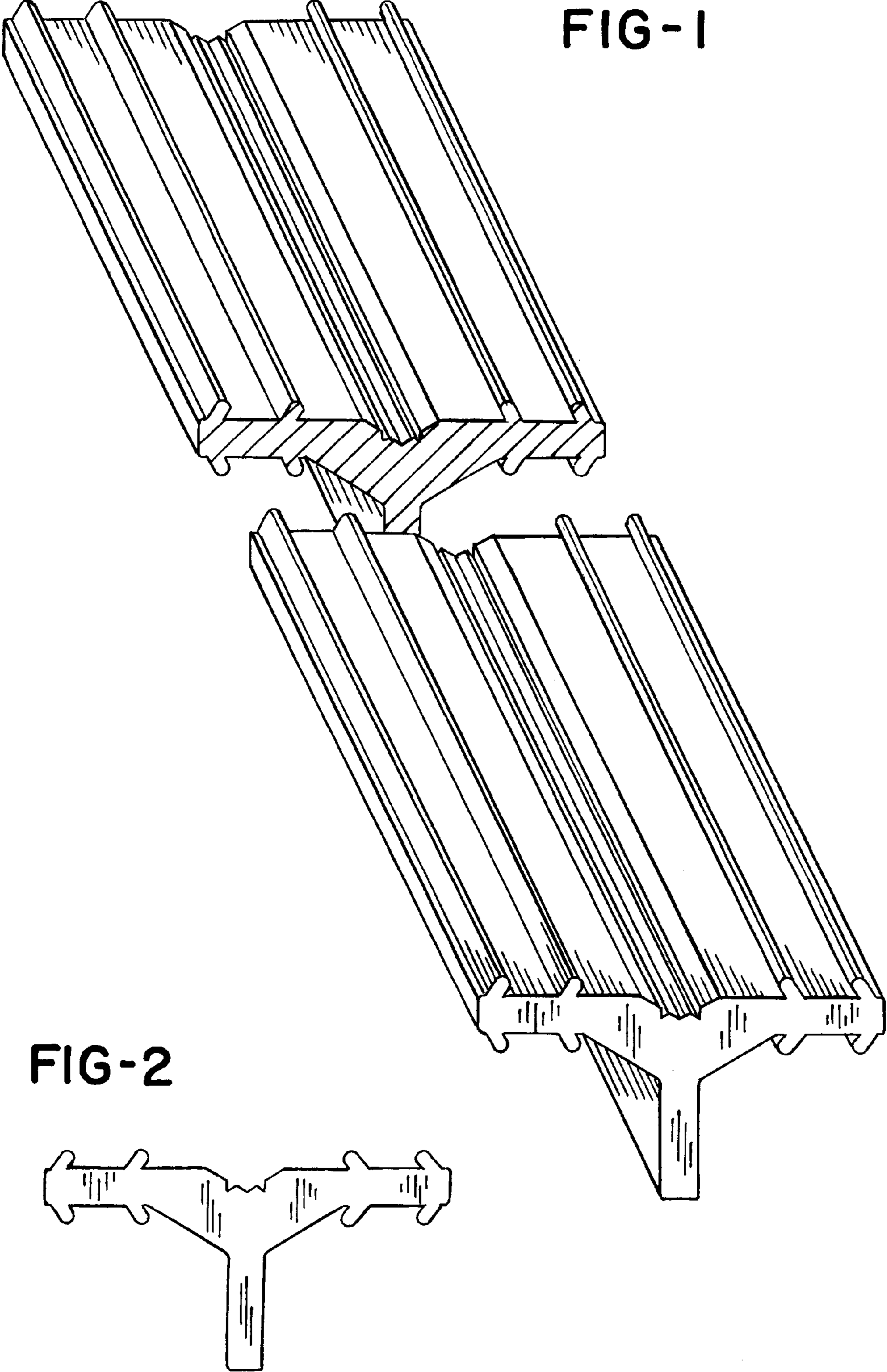


FIG-1

FIG-2