



US00D522143S

(12) **United States Design Patent**
Cartwright

(10) **Patent No.:** **US D522,143 S**

(45) **Date of Patent:** **** May 30, 2006**

(54) **FOLDABLE INCLINED PLATFORM**

(76) Inventor: **Paul H. Cartwright**, 467 W. Main St.,
Forest City, NC (US) 28043-2920

(**) Term: **14 Years**

(21) Appl. No.: **29/212,477**

(22) Filed: **Sep. 1, 2004**

(51) **LOC (8) Cl.** **24-04**

(52) **U.S. Cl.** **D24/183**

(58) **Field of Classification Search** D24/183;
D6/382-383, 391-393; 5/600, 602; 108/115,
108/132

See application file for complete search history.

(56) **References Cited**

U.S. PATENT DOCUMENTS

4,943,041	A	*	7/1990	Romein	5/620
5,524,555	A	*	6/1996	Fanuzzi	108/132
D392,741	S	*	3/1998	Blanchard et al.	D24/183
D403,772	S	*	1/1999	Fanuzzi	D24/183
D463,563	S	*	9/2002	Schoenig et al.	D24/183

* cited by examiner

Primary Examiner—Louis S. Zarfes

Assistant Examiner—Daniel Yu

(74) *Attorney, Agent, or Firm*—Leatherwood Walker Todd
& Mann, P.C.; Thomas W. Epting

(57) **CLAIM**

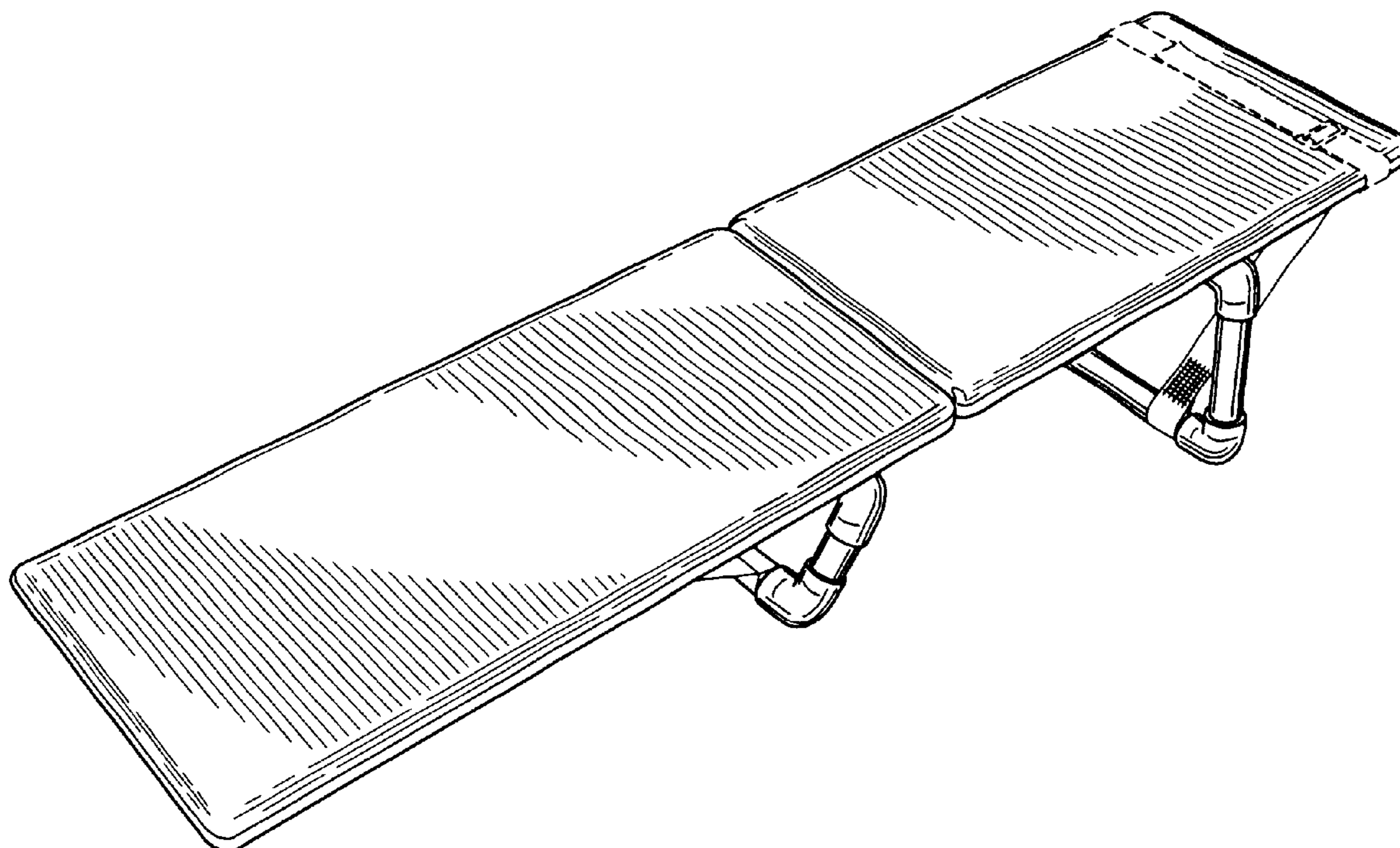
The ornamental design for a foldable inclined platform, as shown and described.

DESCRIPTION

FIG. 1 is a perspective view of my new design;
FIG. 2 is a top plan view thereof;
FIG. 3 is side elevational view thereof;
FIG. 4 is a bottom plan view thereof;
FIG. 5 is a front elevational view thereof;
FIG. 6 is a rear elevational view thereof; and,
FIG. 7 is a perspective view of my design in a folded configuration.

The broken lines shown in the drawing figures are for illustrative purposes only and forms no part of the claimed design.

1 Claim, 4 Drawing Sheets



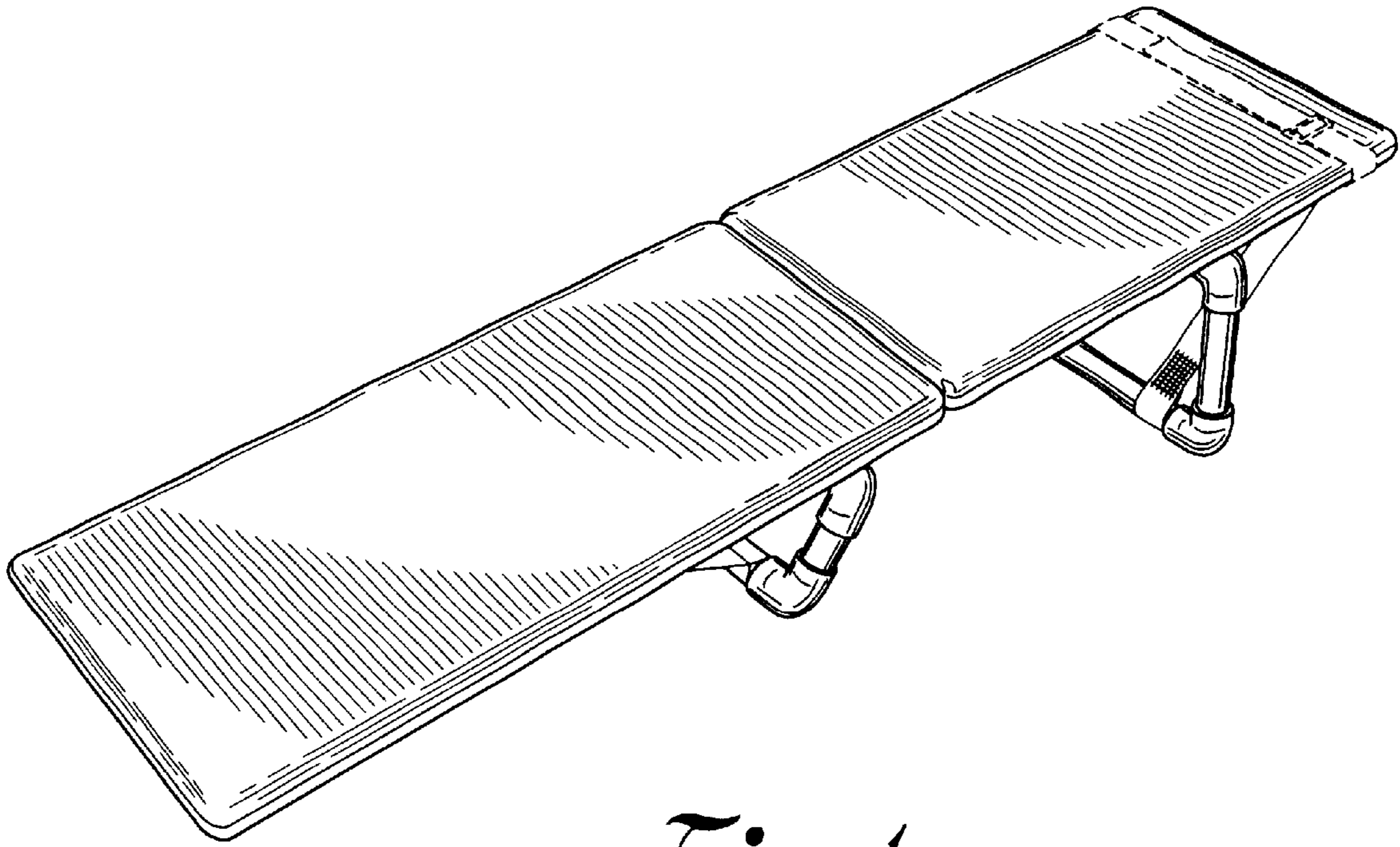


Fig. 1

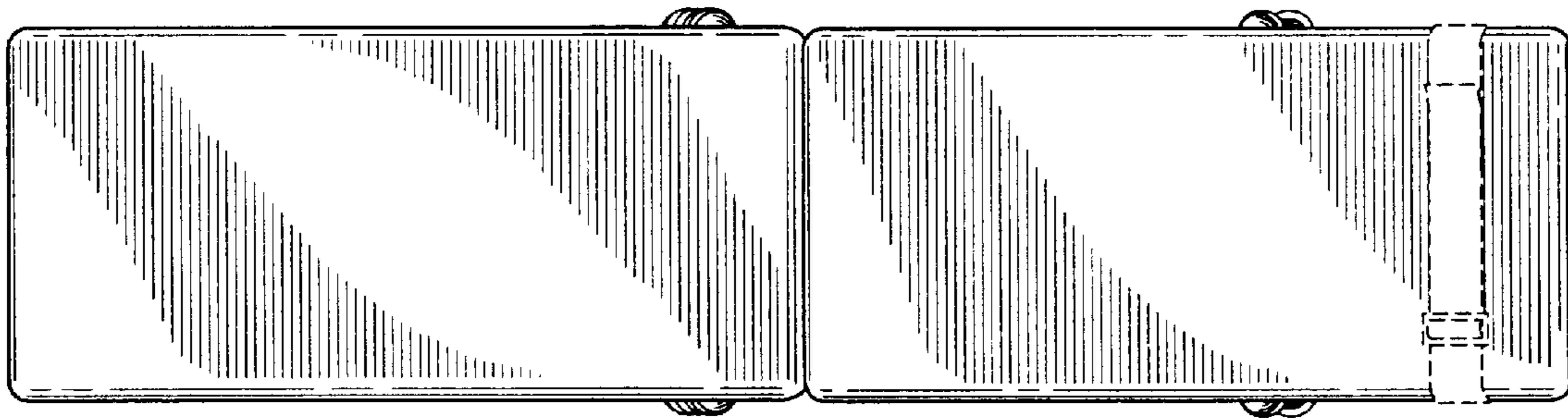


Fig. 2

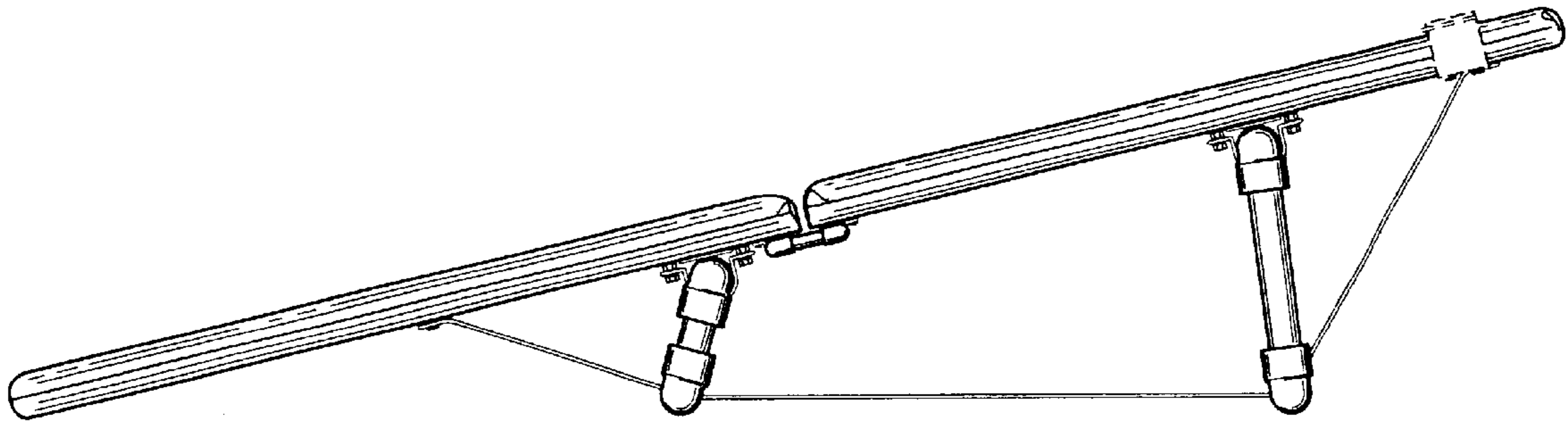


Fig. 3

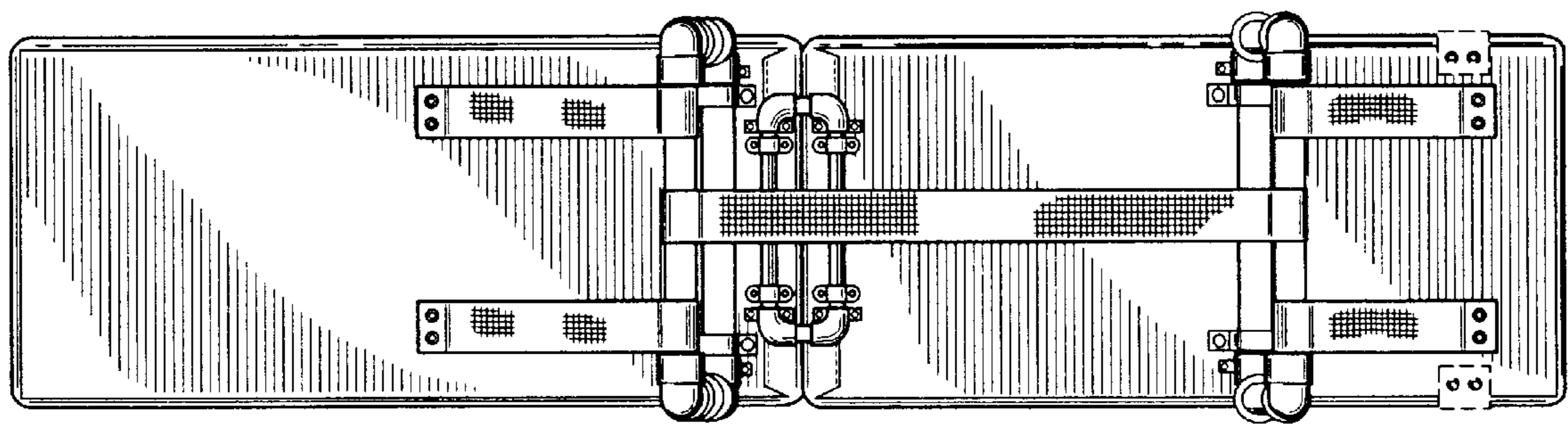


Fig. 4

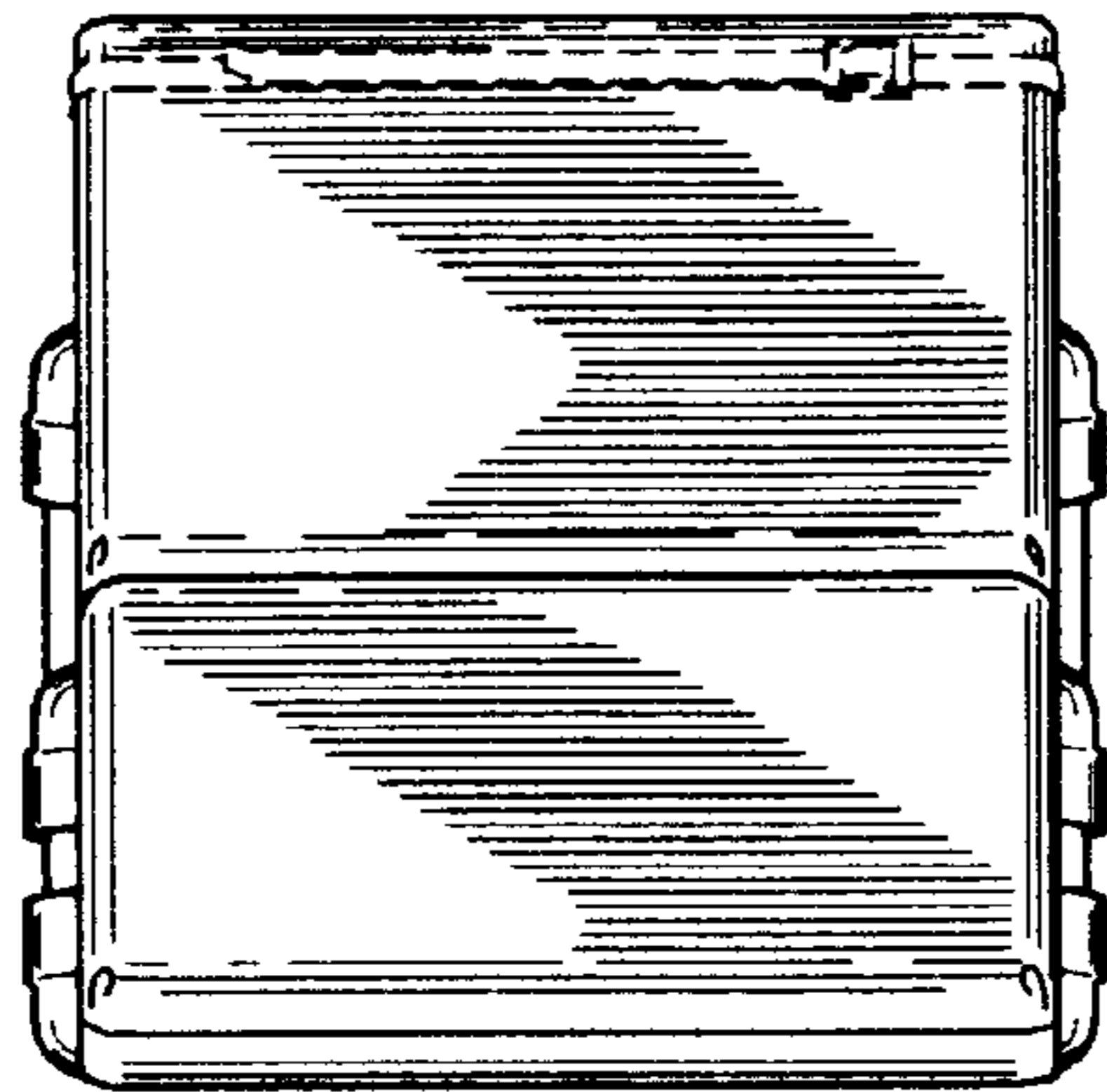


Fig. 5

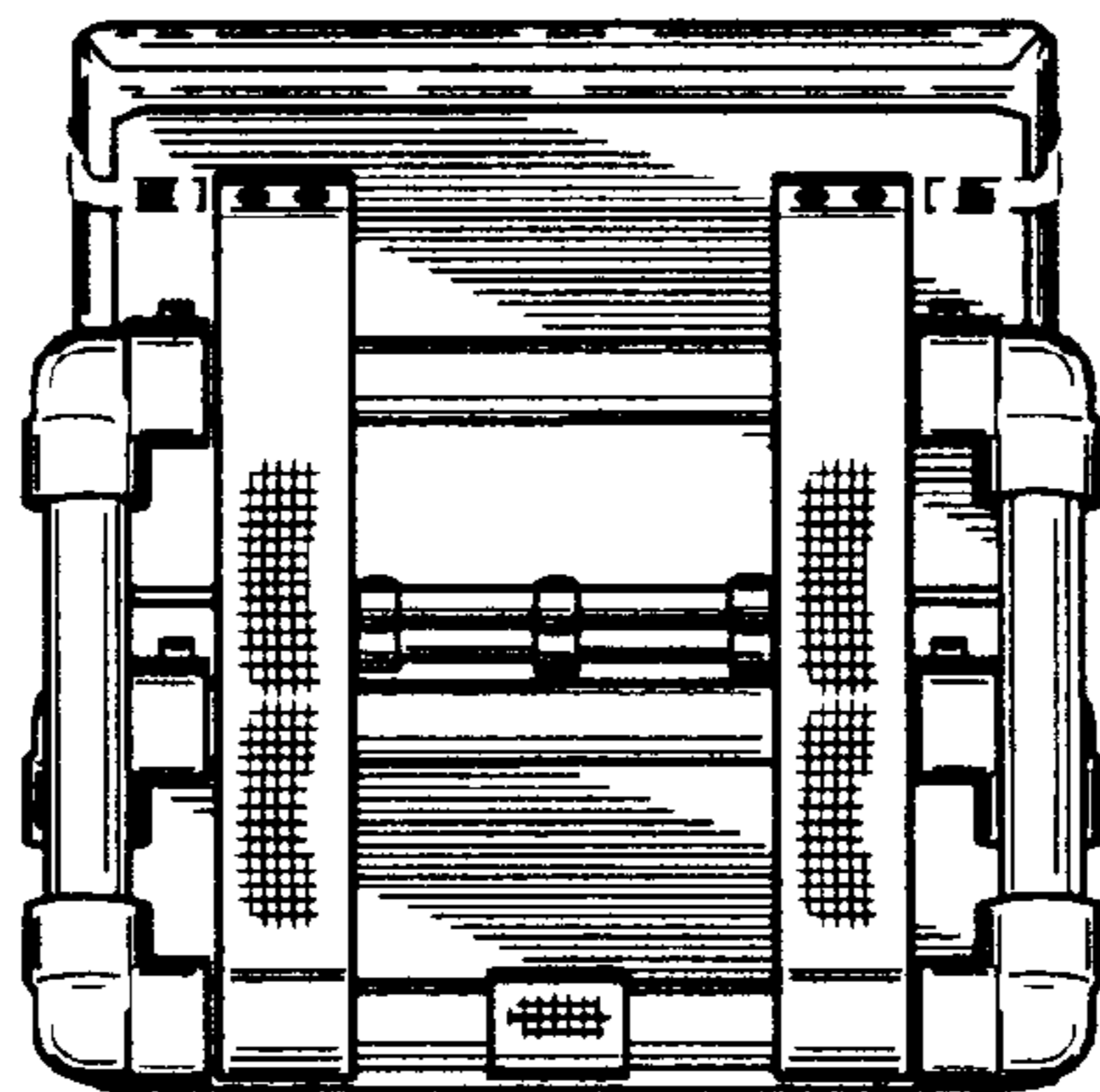


Fig. 6

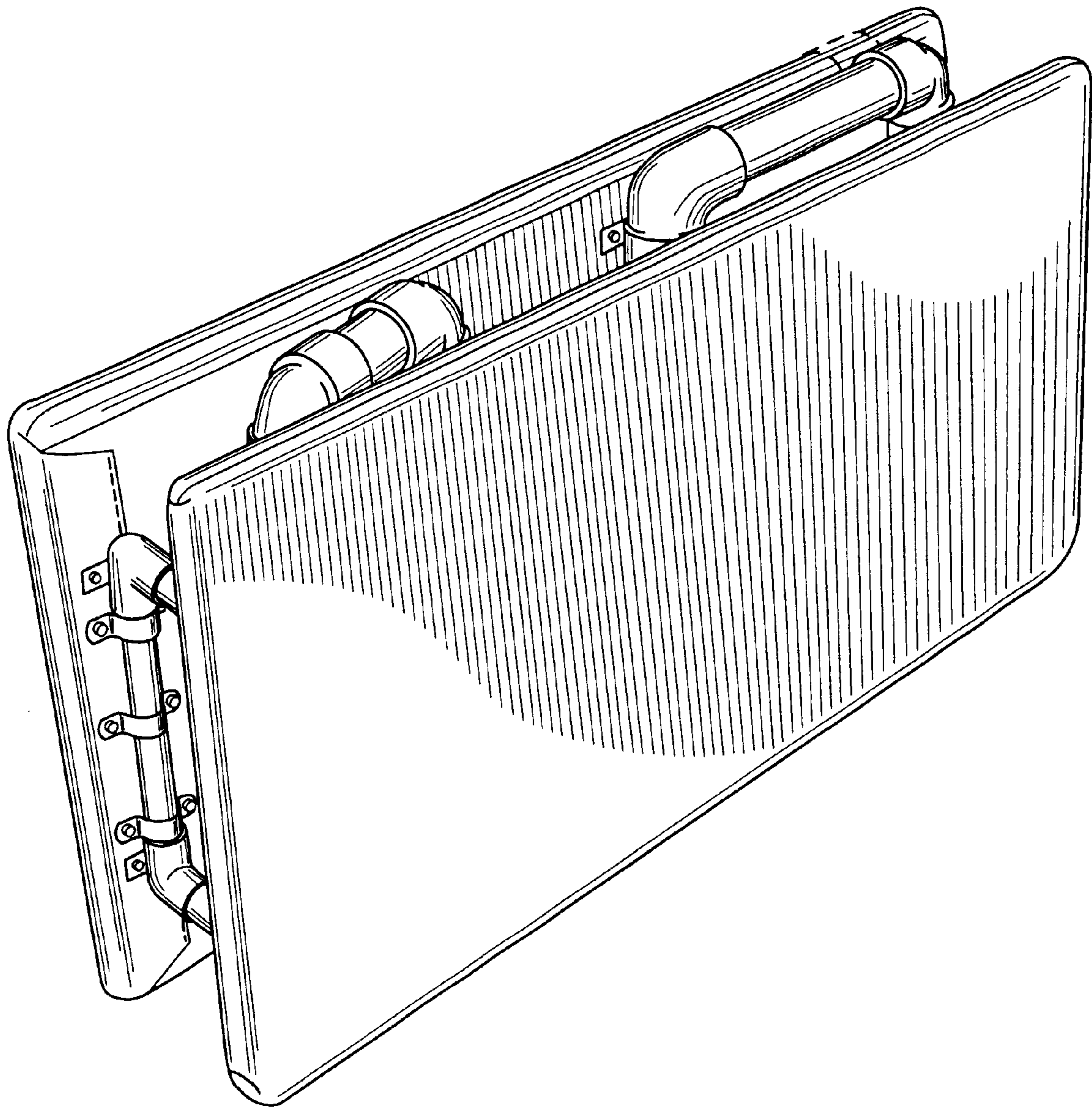


Fig. 7