

US00D522142S

(12) **United States Design Patent** (10) **Patent No.:** **US D522,142 S**
Boiten (45) **Date of Patent:** **** May 30, 2006**

(54) **KNEE JOINT FOR PROSTHESIS**
 (75) Inventor: **Herman Boiten**, Göttingen (DE)
 (73) Assignee: **Otto Bock HealthCare GmbH**,
 Duderstadt (DE)
 (**) Term: **14 Years**

(21) Appl. No.: **29/219,775**
 (22) Filed: **Dec. 22, 2004**

(30) **Foreign Application Priority Data**
 Jun. 28, 2004 (EM) 000195250
 (51) **LOC (8) Cl.** **24-03**
 (52) **U.S. Cl.** **D24/155**
 (58) **Field of Classification Search** D24/107,
 D24/155, 156, 157, 152; 606/60, 64, 69-72,
 606/74, 76, 151; 623/13.12, 18.11, 20.14-20.36,
 623/36, 39
 See application file for complete search history.

(56) **References Cited**
 U.S. PATENT DOCUMENTS
 4,911,709 A * 3/1990 Marlow et al. 623/39
 5,545,232 A * 8/1996 Van de Veen 623/39
 D383,542 S * 9/1997 Wellershaus et al. D24/155
 D402,368 S * 12/1998 Holzapfel D24/155
 D439,339 S * 3/2001 Sawatzki D24/155
 D446,304 S * 8/2001 Sawatzki et al. D24/155
 2002/0045946 A1 * 4/2002 Habecker 623/18.11

2004/0059433 A1 * 3/2004 Slemker et al. 623/39
 2005/0154473 A1 * 7/2005 Bassett 623/39
 * cited by examiner

Primary Examiner—Charles A. Rademaker
 (74) *Attorney, Agent, or Firm*—Whitman, Curtis,
 Christofferson & Cook PC

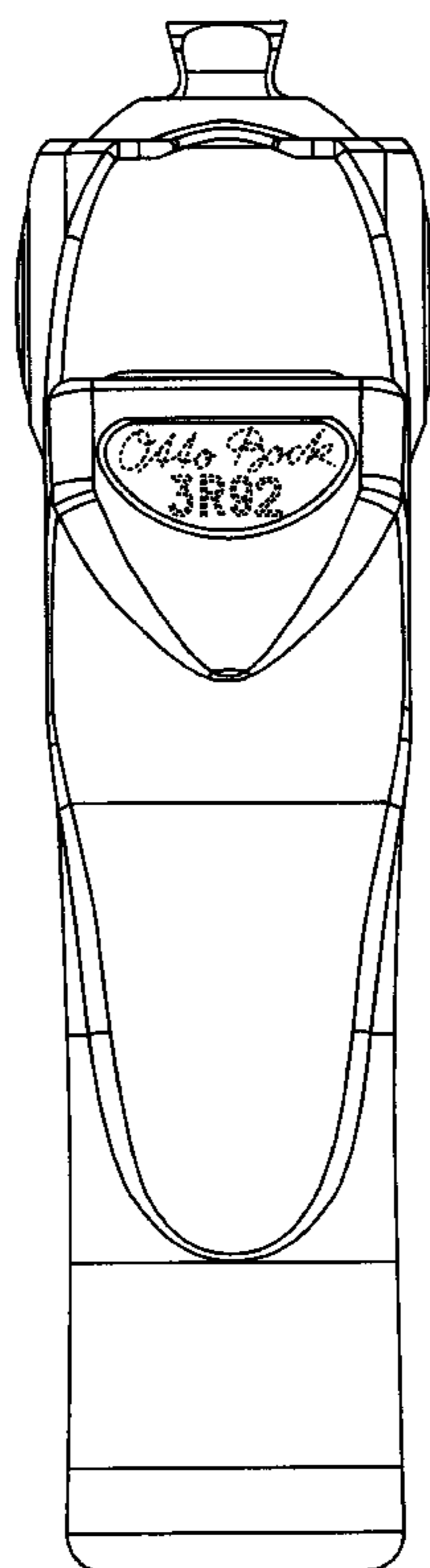
(57) **CLAIM**

I claim the ornamental design for a knee joint for prosthesis,
 as shown and described.

DESCRIPTION

FIG. 1 is a front perspective view of the knee joint for prosthesis;
 FIG. 2 is a right side perspective view of the knee joint for prosthesis;
 FIG. 3 is a back perspective view of the knee joint for prosthesis;
 FIG. 4 is a left side perspective view of the knee joint for prosthesis;
 FIG. 5 is a top perspective view of the knee joint for prosthesis;
 FIG. 6 is a bottom perspective view of the knee joint for prosthesis; and,
 FIG. 7 is an isometric view of the knee joint for prosthesis.
 The broken line showing of portions of the design is for illustrative purpose only and form no part of the claimed design.

1 Claim, 6 Drawing Sheets



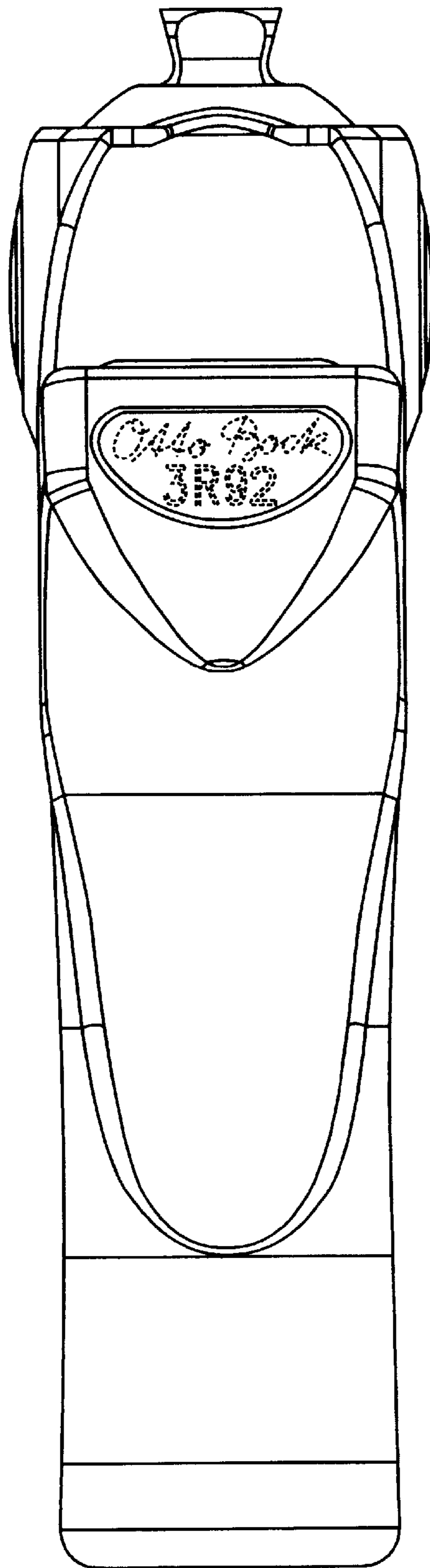


FIG. 1

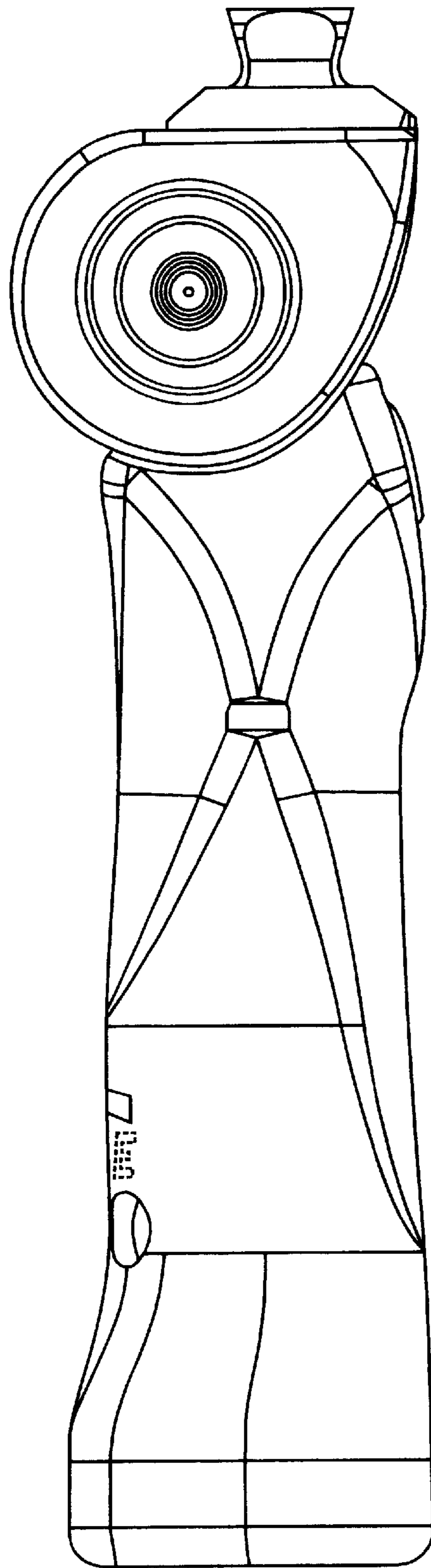


FIG. 2

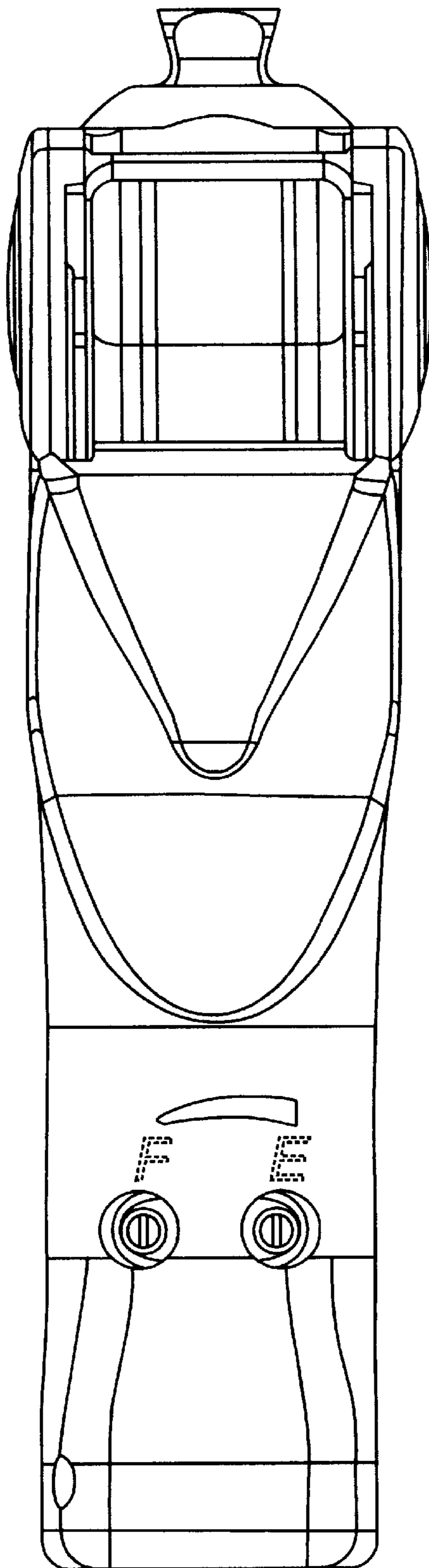


FIG. 3

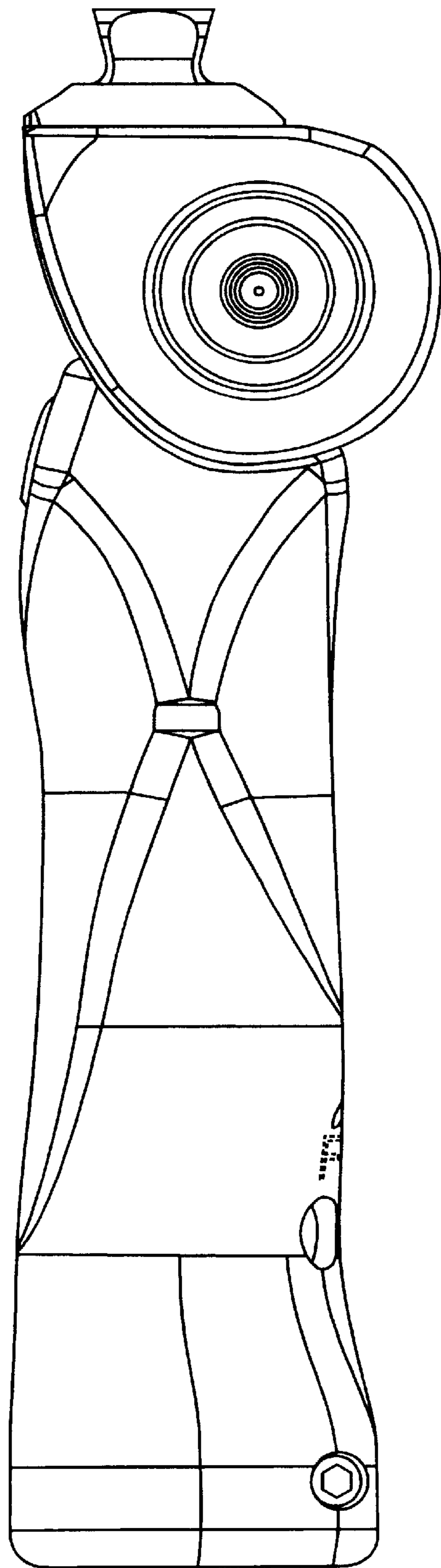


FIG. 4

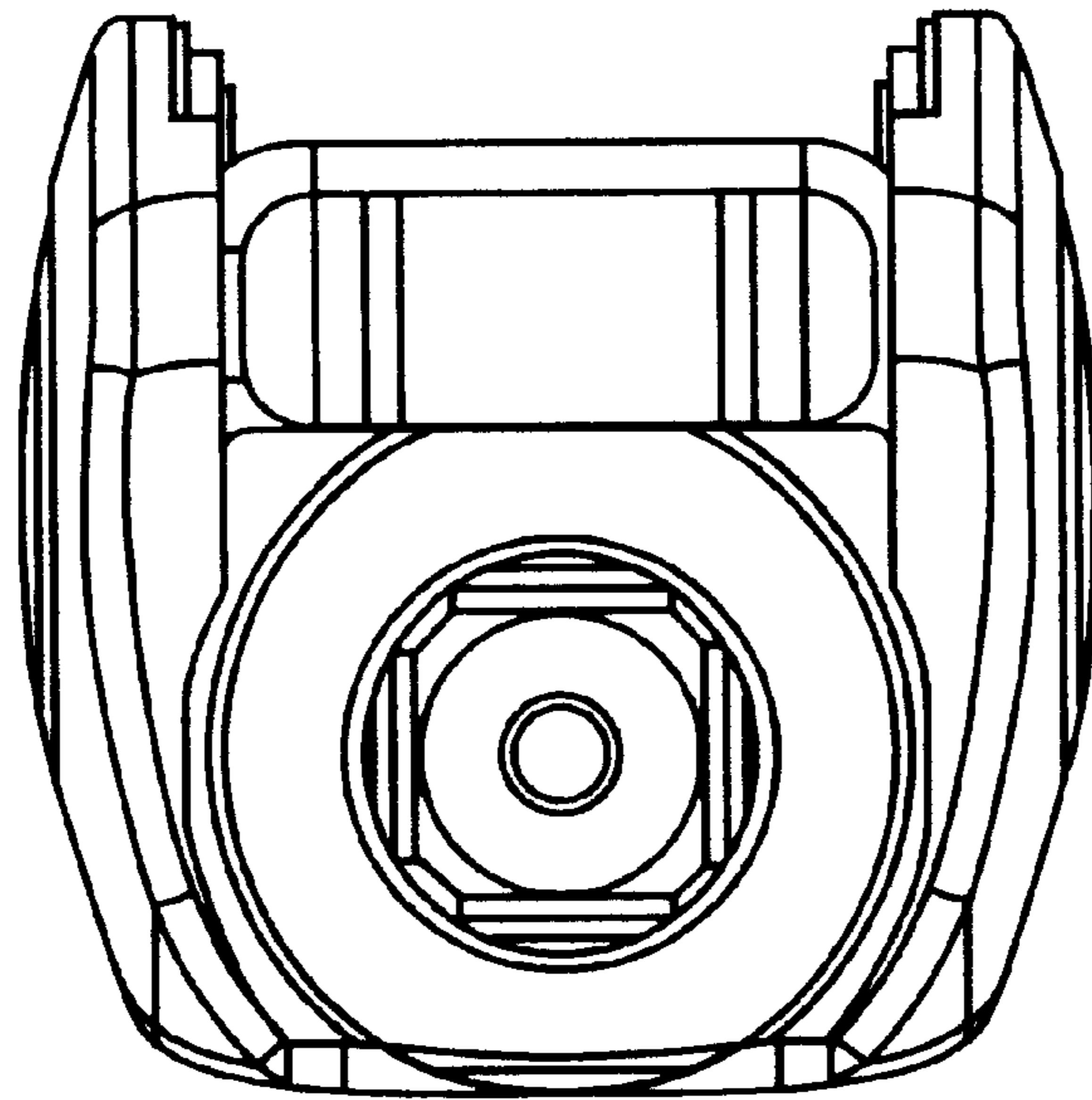


FIG. 5

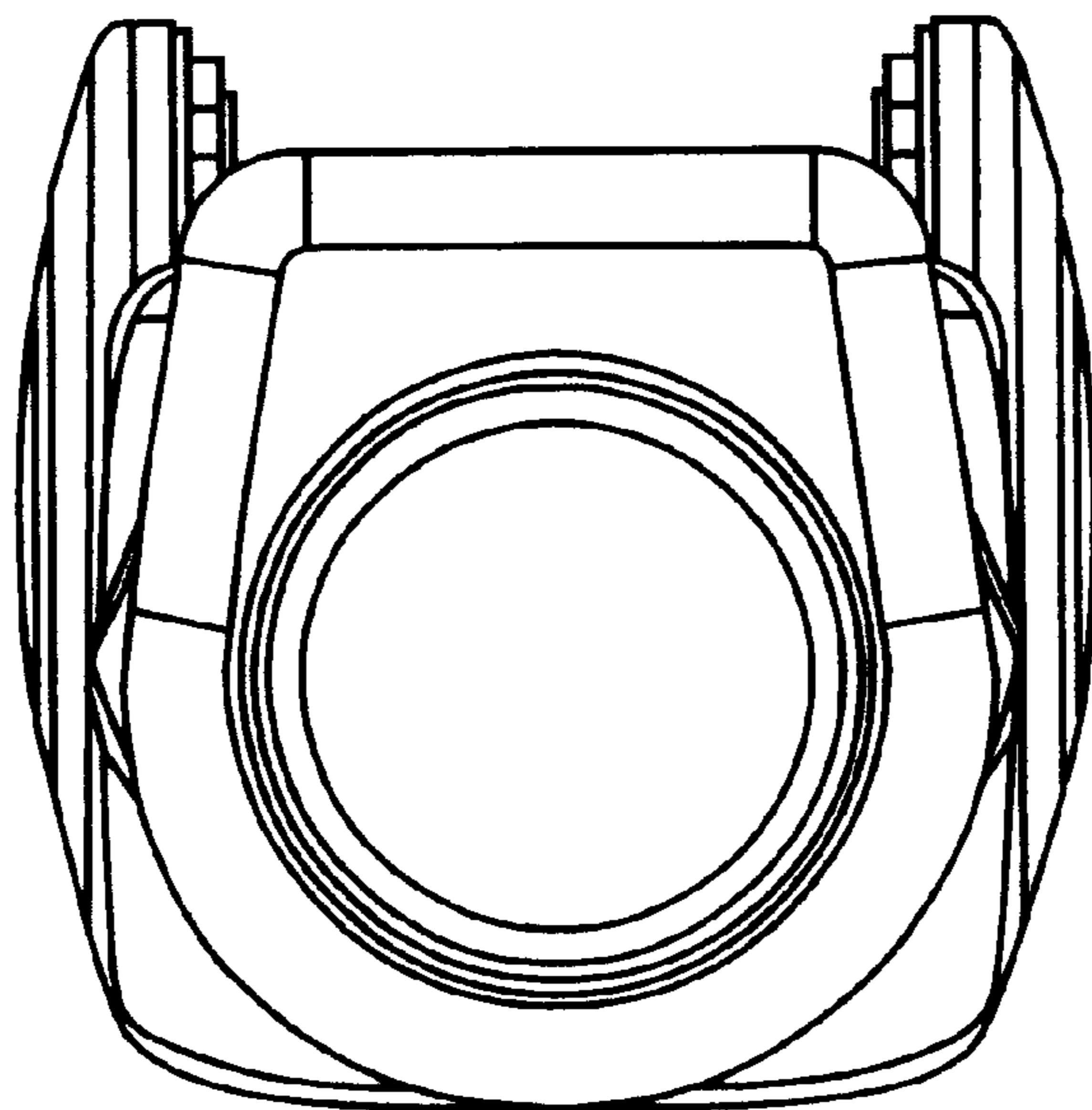


FIG. 6

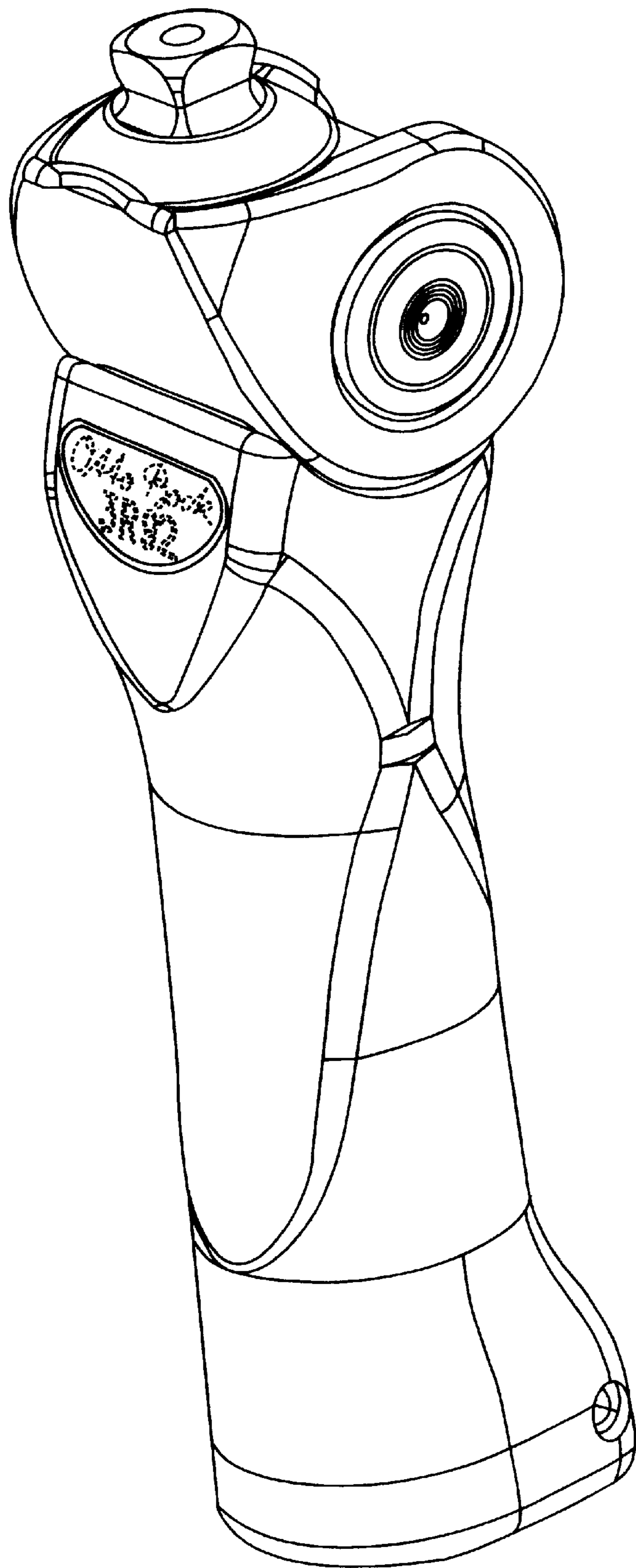


FIG. 7