



US00D522138S

(12) **United States Design Patent**  
**Ko**

(10) **Patent No.:** **US D522,138 S**

(45) **Date of Patent:** **\*\* May 30, 2006**

(54) **AIR DIFFUSER WITH MULTIPLE LAYER DISK**

(76) Inventor: **Myunghan Ko**, 107-204 Mujeegae Apt.  
Wolpyung 2-dong seu-gu, Daejon,  
Choong Chung do, 302-750 (KR)

(\*\*) Term: **14 Years**

(21) Appl. No.: **29/195,308**

(22) Filed: **Dec. 10, 2003**

(51) **LOC (8) Cl.** ..... **23-99**

(52) **U.S. Cl.** ..... **D23/499**

(58) **Field of Classification Search** ..... D23/388,  
D23/390; 454/310, 300, 284, 265, 261; D26/59  
See application file for complete search history.

(56) **References Cited**

U.S. PATENT DOCUMENTS

2,144,631	A	*	1/1939	Kurth	.....	454/310
D113,831	S	*	3/1939	Blumenthal	.....	D26/59
D120,266	S	*	4/1940	Kurth	.....	D26/59
2,199,525	A	*	5/1940	Kurth	.....	454/265
2,228,603	A	*	1/1941	Kurth	.....	454/310

2,255,850	A	*	9/1941	Kurth	.....	454/261
D139,347	S	*	11/1944	Duffner	.....	D23/390
D150,357	S	*	7/1948	Herbster	.....	D23/390
D158,672	S	*	5/1950	Koch	.....	D23/390
D166,299	S	*	4/1952	Corbett	.....	D23/390
4,884,497	A	*	12/1989	Dosmann	.....	454/300

\* cited by examiner

*Primary Examiner*—Robert M. Spear

*Assistant Examiner*—Susan Bennett Hattan

(57) **CLAIM**

The ornamental design for an air diffuser with the multiple layer disks, as shown and described.

**DESCRIPTION**

FIG. 1. is a front perspective view thereof.

FIG. 2. is a front side view thereof, the back side view being identical.

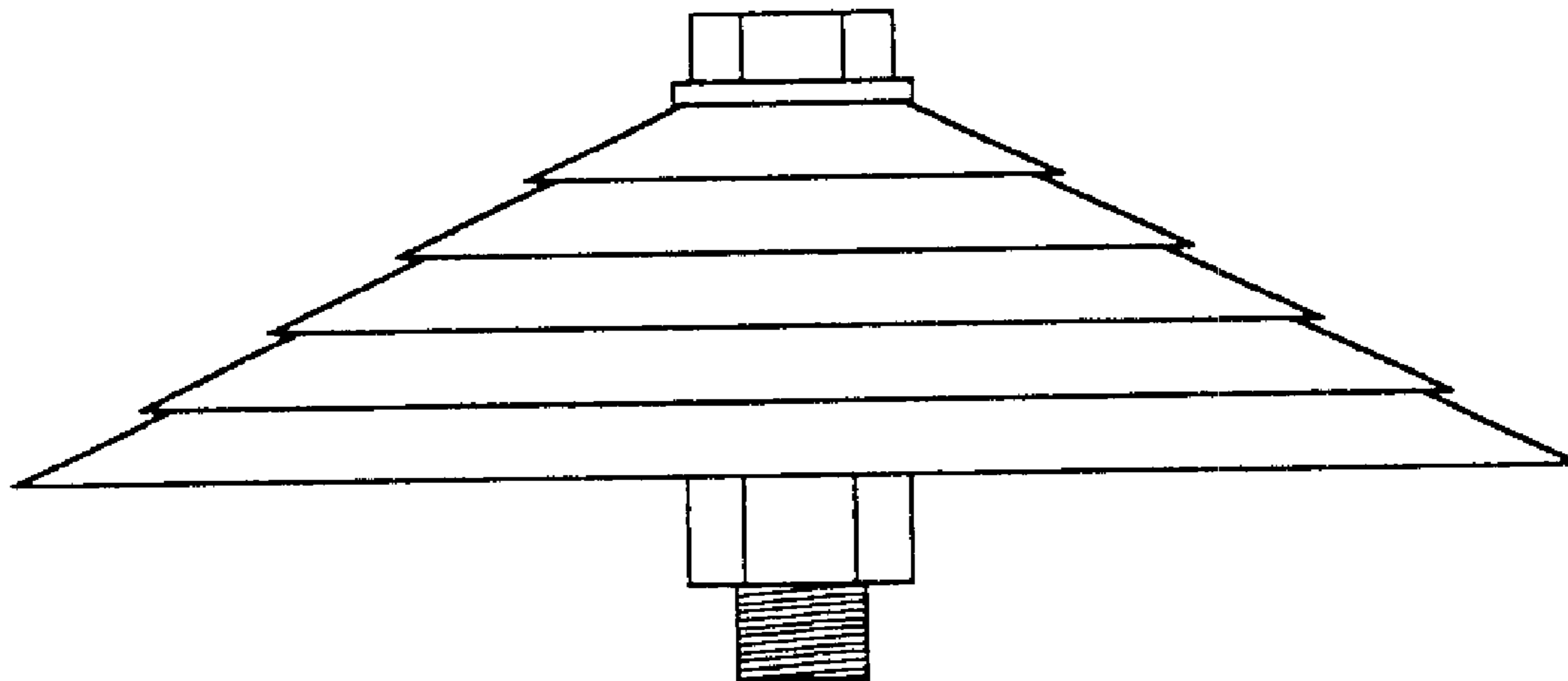
FIG. 3. is a left side view thereof, the right side view being identical.

FIG. 4 is a top plan view thereof;

FIG. 5. is a bottom plan view thereof; and,

FIG. 6. is a cross-sectional view thereof.

**1 Claim, 6 Drawing Sheets**



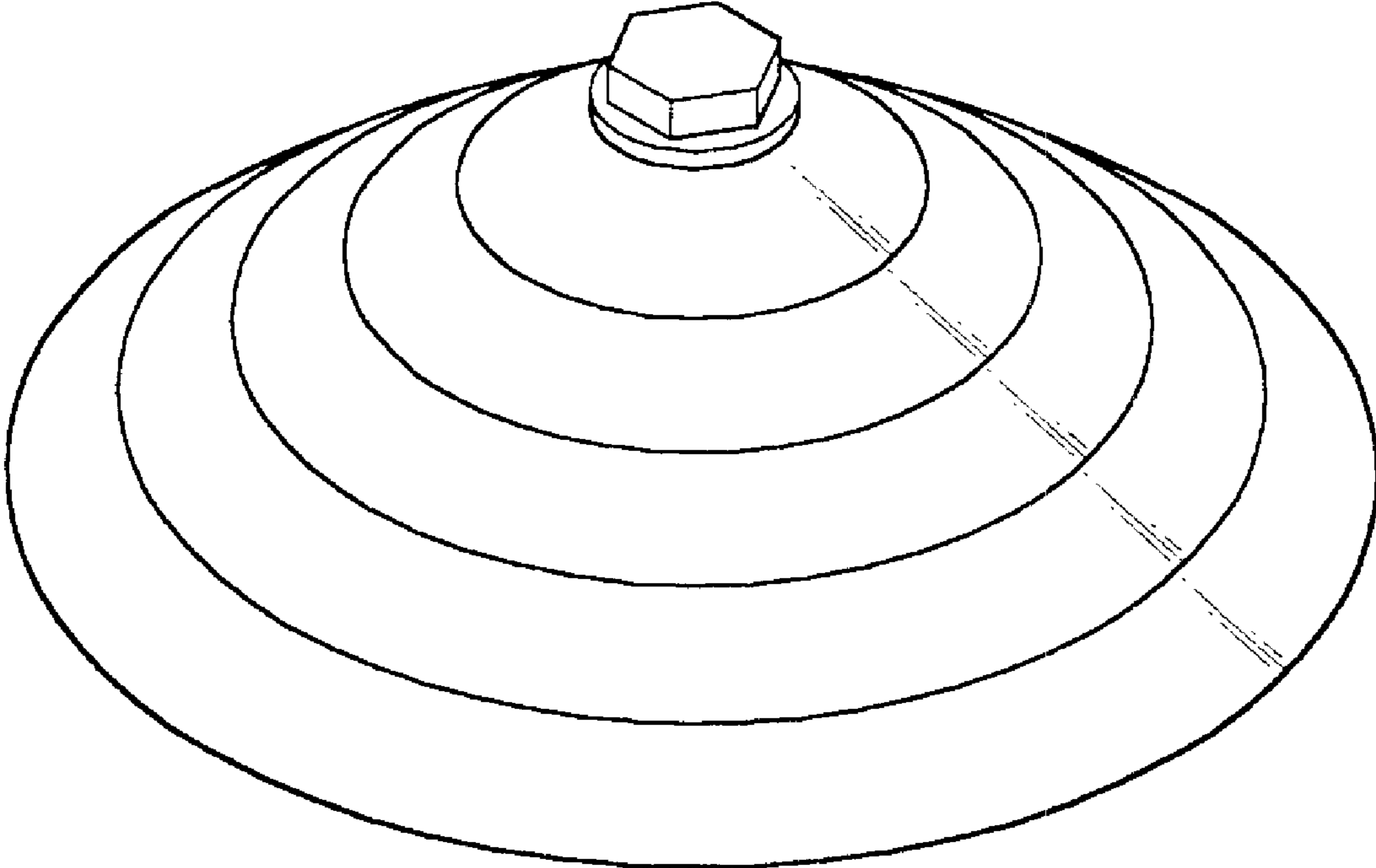


Fig. 1

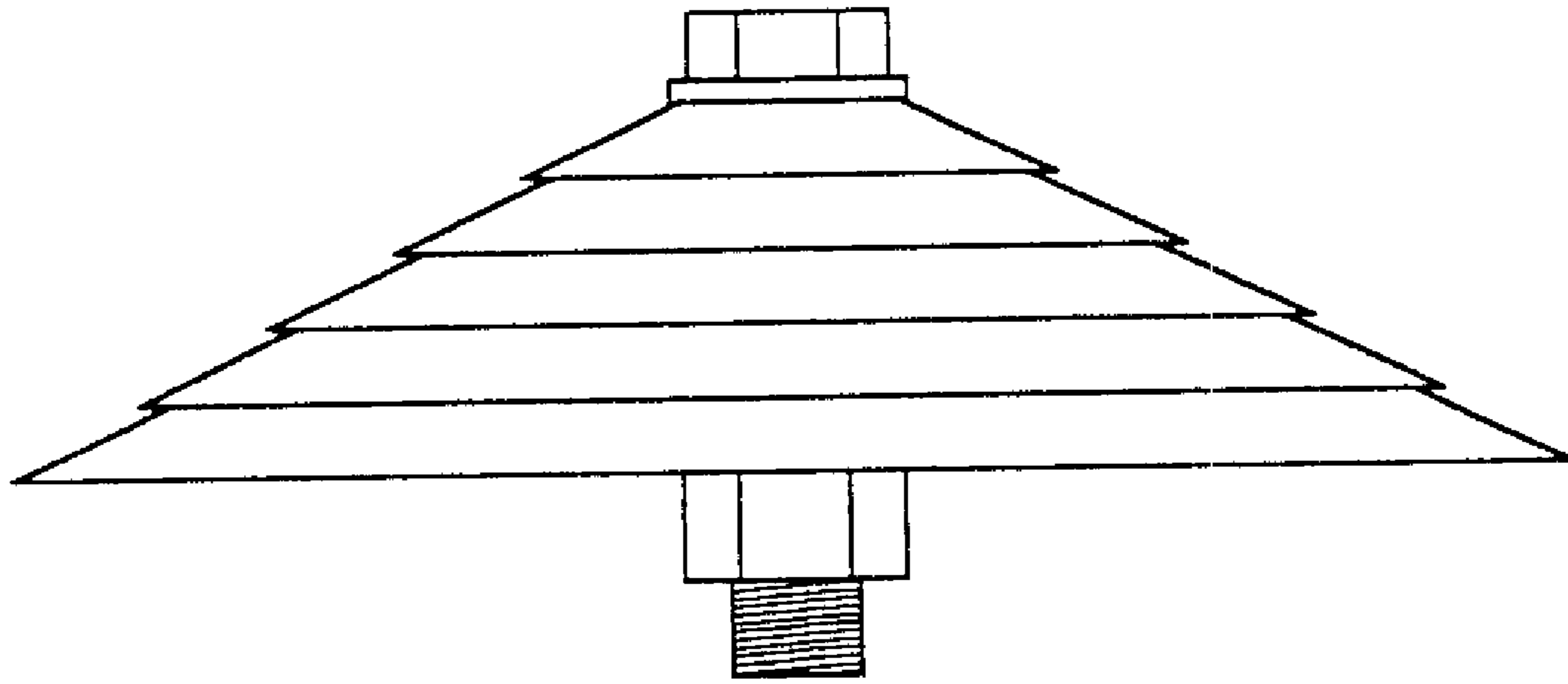


Fig. 2

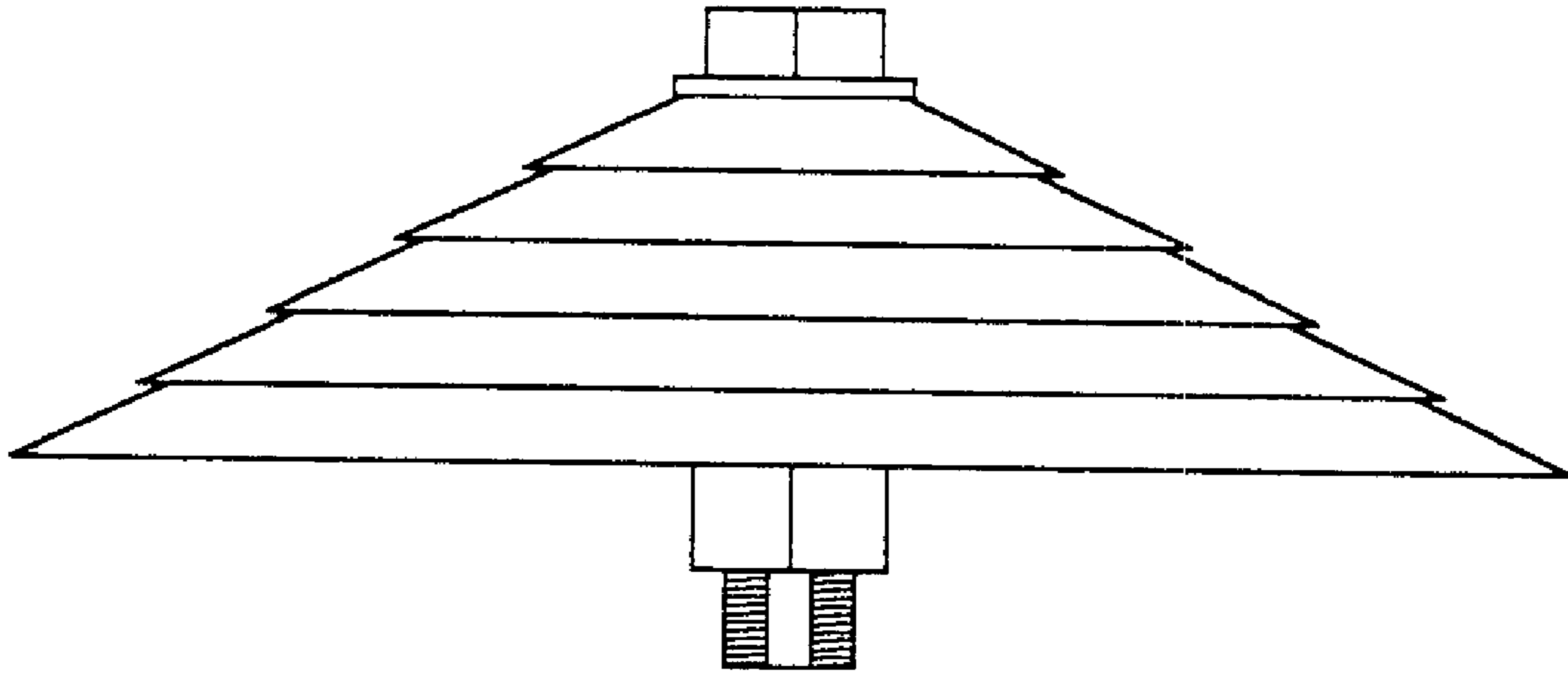


Fig. 3

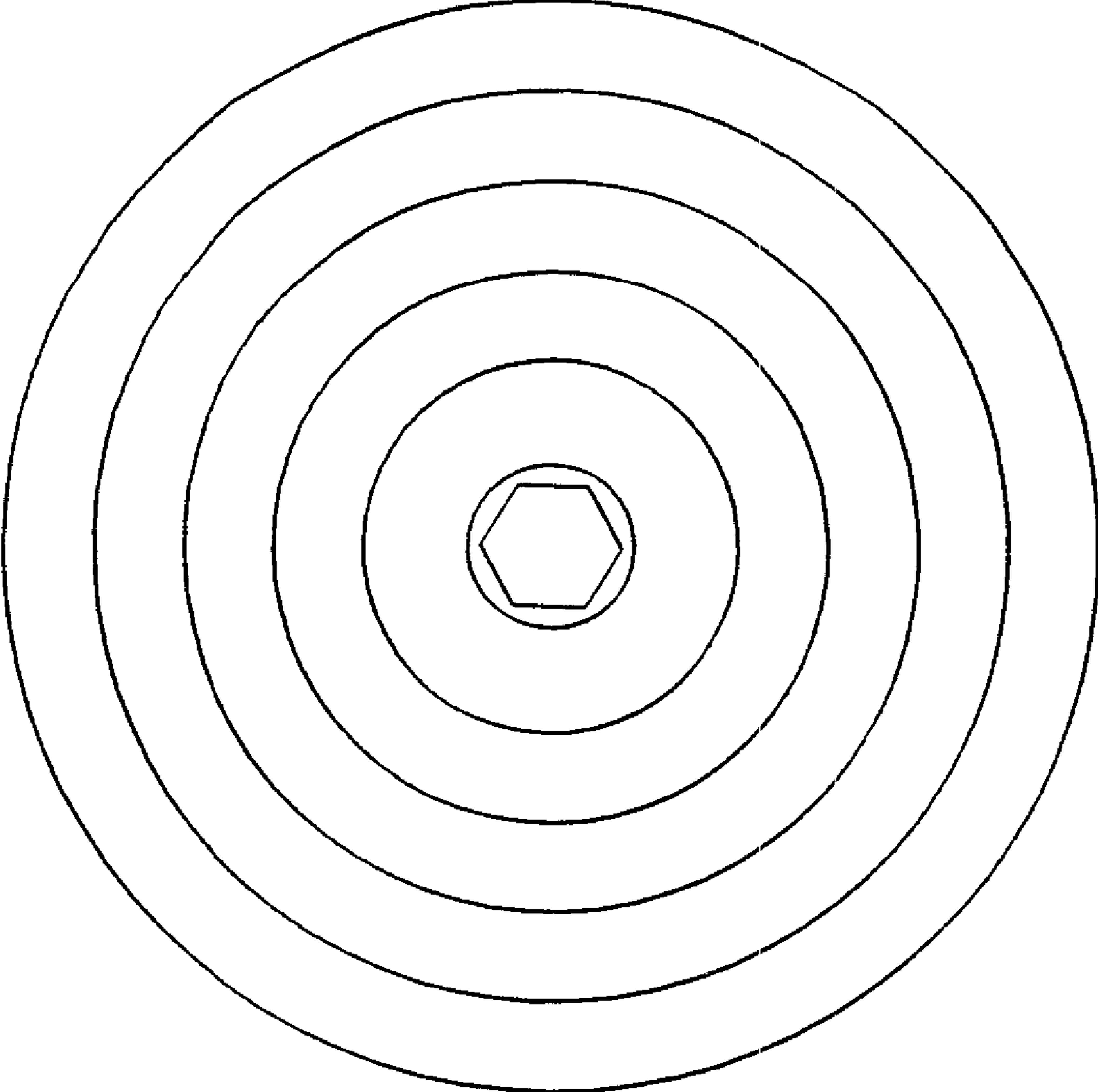


Fig. 4

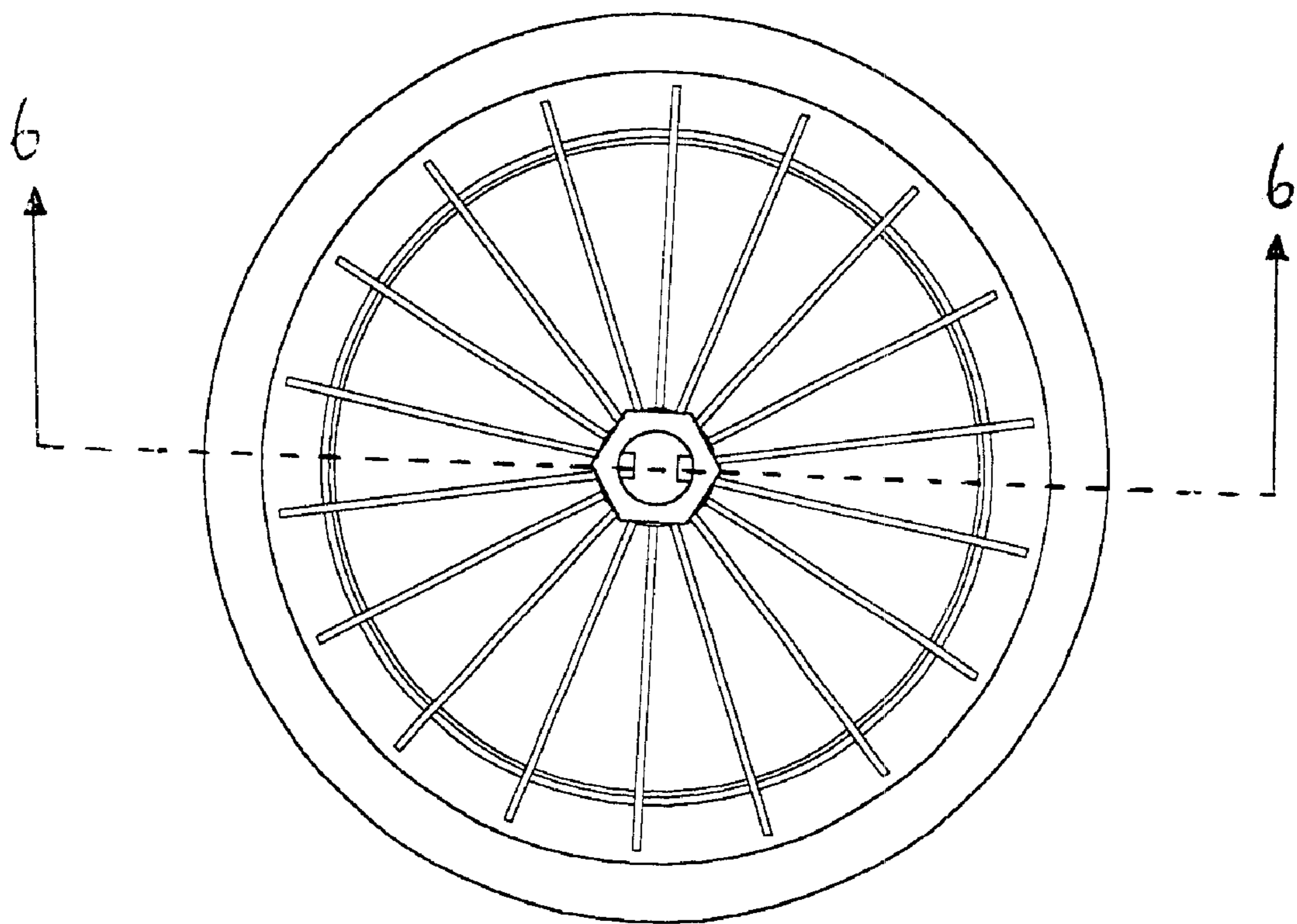


Fig. 5

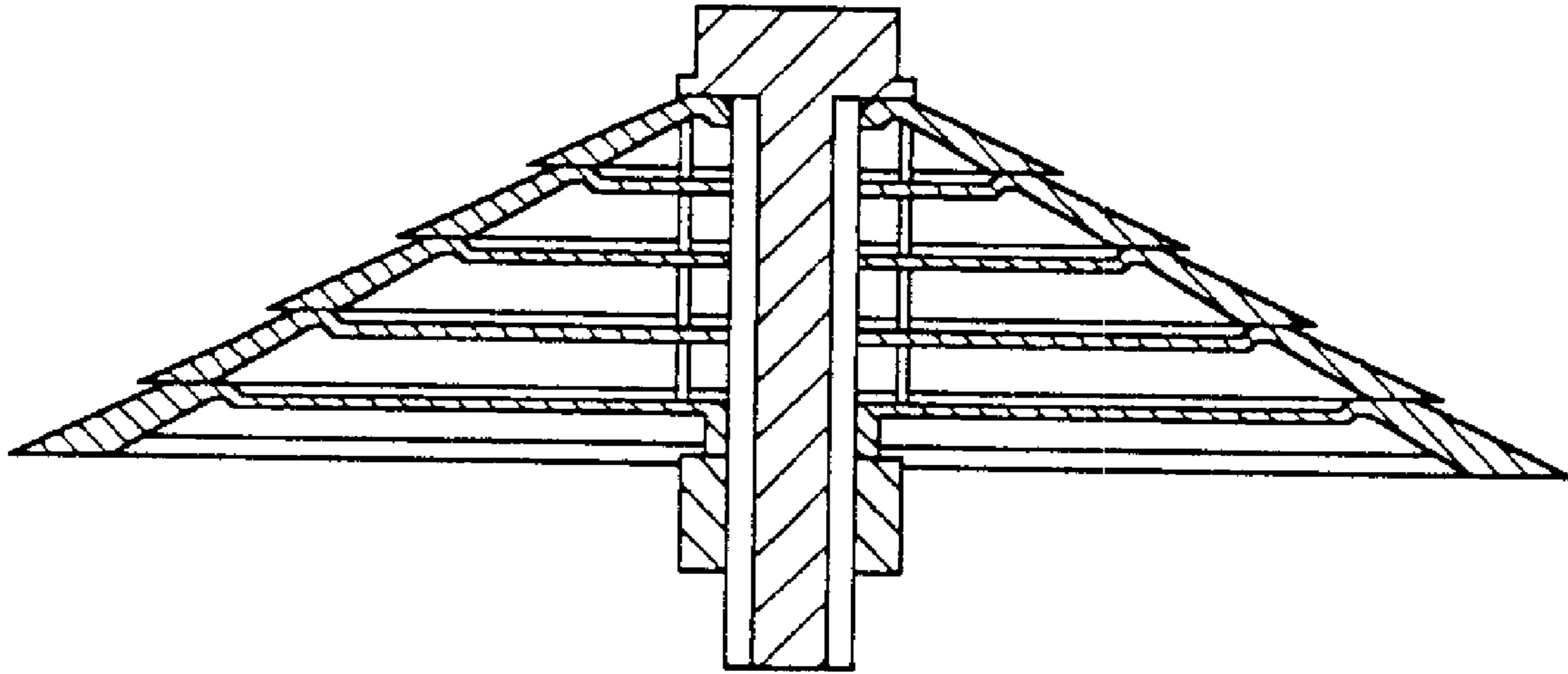


Fig. 6