



US00D522137S

(12) **United States Design Patent**
Chen

(10) **Patent No.:** **US D522,137 S**

(45) **Date of Patent:** **** May 30, 2006**

(54) **CEILING FAN MOTOR HOUSING**

D510,431 S * 10/2005 Pickett D23/411

(75) Inventor: **Ken-Tuan Chen, Tai-ping (TW)**

* cited by examiner

(73) Assignee: **Air Cool Industrial Co., Ltd.,
Taichung (TW)**

Primary Examiner—Lisa Lichtenstein

(74) *Attorney, Agent, or Firm*—Troxell Law Office, PLLC

(**) Term: **14 Years**

(57) **CLAIM**

The ornamental design for a ceiling fan motor housing, as shown and described.

(21) Appl. No.: **29/229,317**

(22) Filed: **May 6, 2005**

DESCRIPTION

(51) **LOC (8) Cl.** **23-04**

FIG. 1 is a perspective view of a ceiling fan motor housing showing my new design;

(52) **U.S. Cl.** **D23/411**

FIG. 2 is a front end elevation view thereof;

(58) **Field of Classification Search** D23/411,

FIG. 3 is a rear end elevation view thereof;

D23/377, 379, 385; 416/5

FIG. 4 is a left side elevation view thereof;

See application file for complete search history.

FIG. 5 is a right side elevation view thereof;

(56) **References Cited**

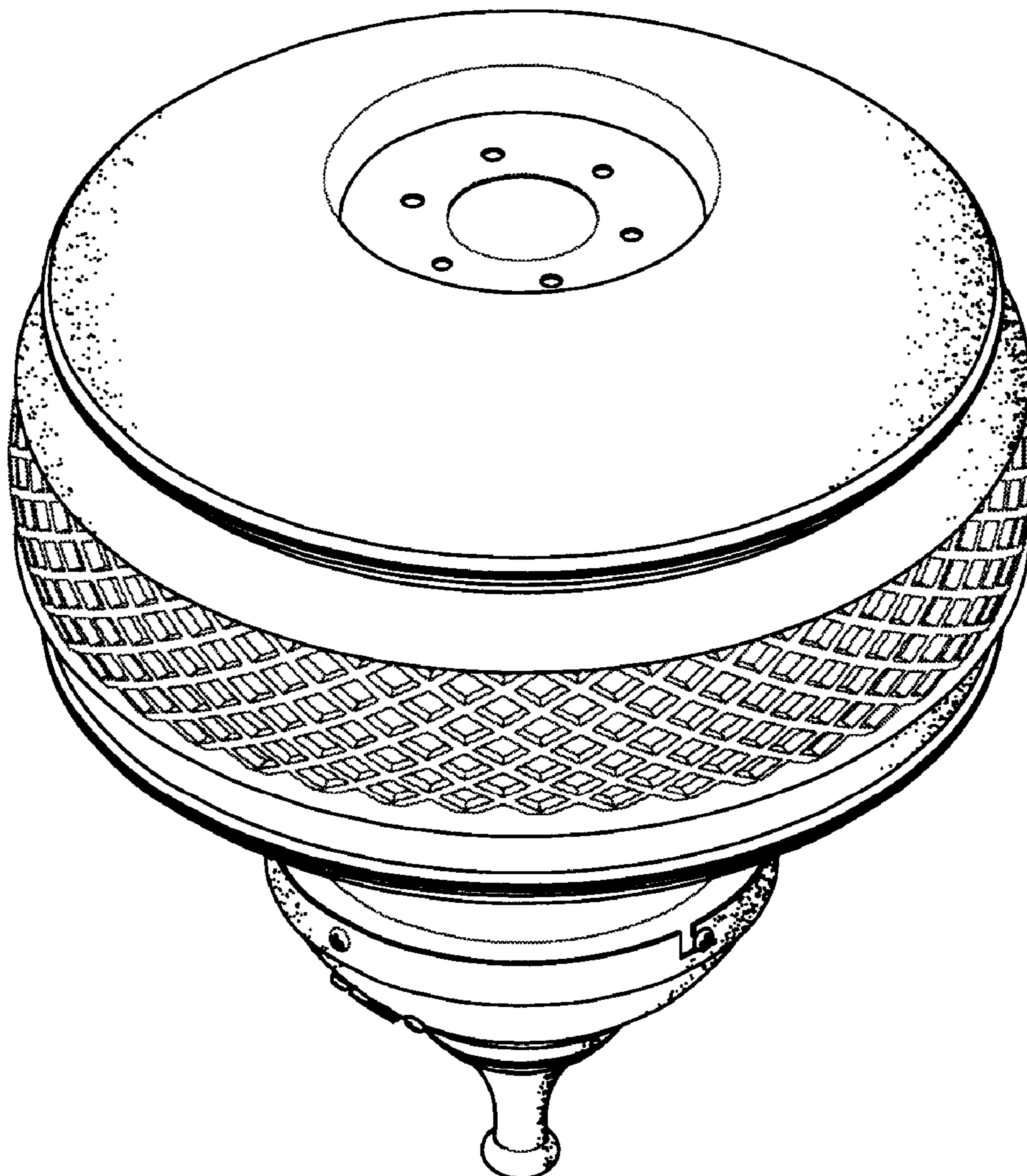
FIG. 6 is a top plan view thereof; and,

FIG. 7 is a bottom plan view thereof.

U.S. PATENT DOCUMENTS

D436,659 S * 1/2001 Campbell D23/411

1 Claim, 7 Drawing Sheets



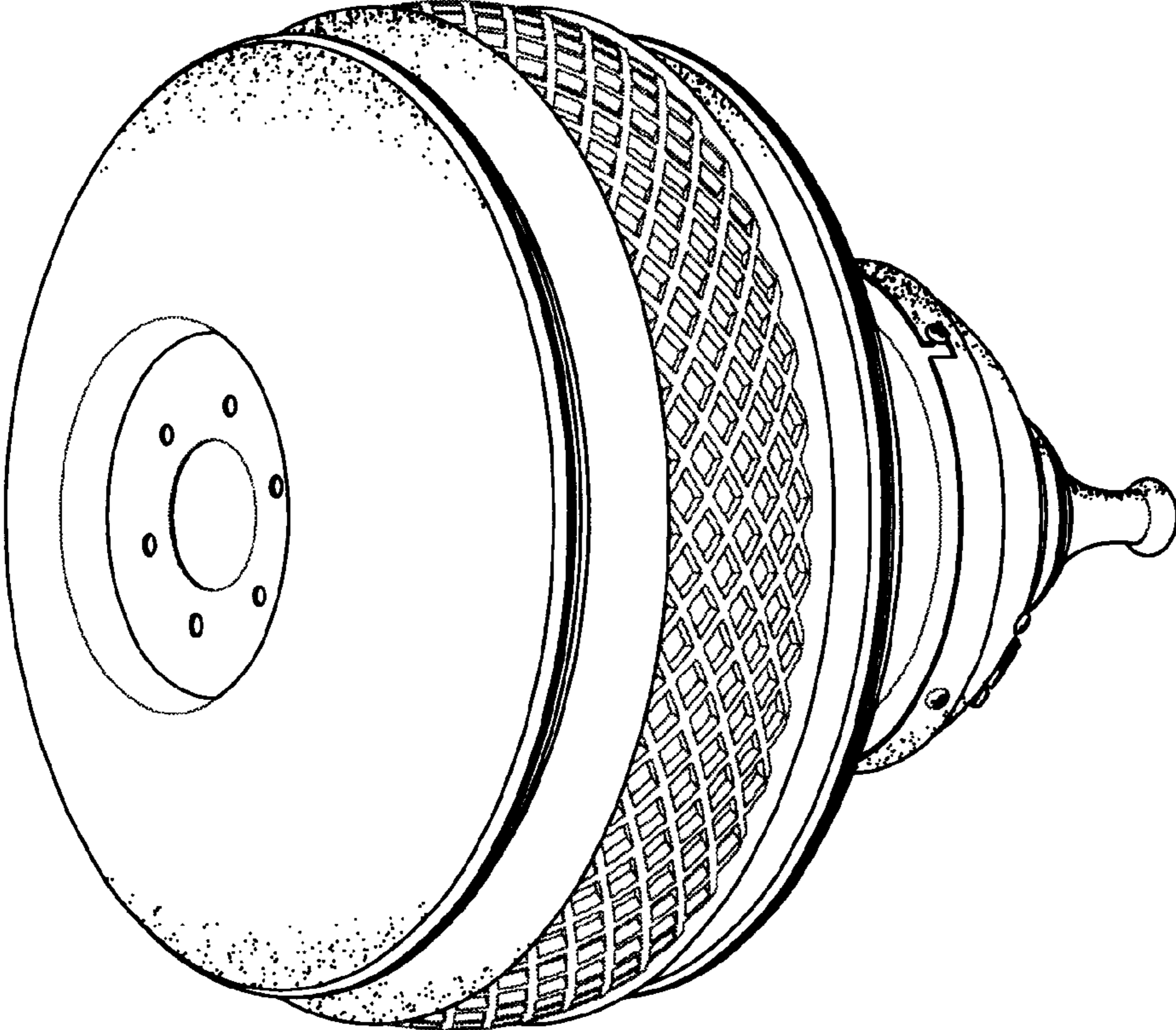


FIG. 1

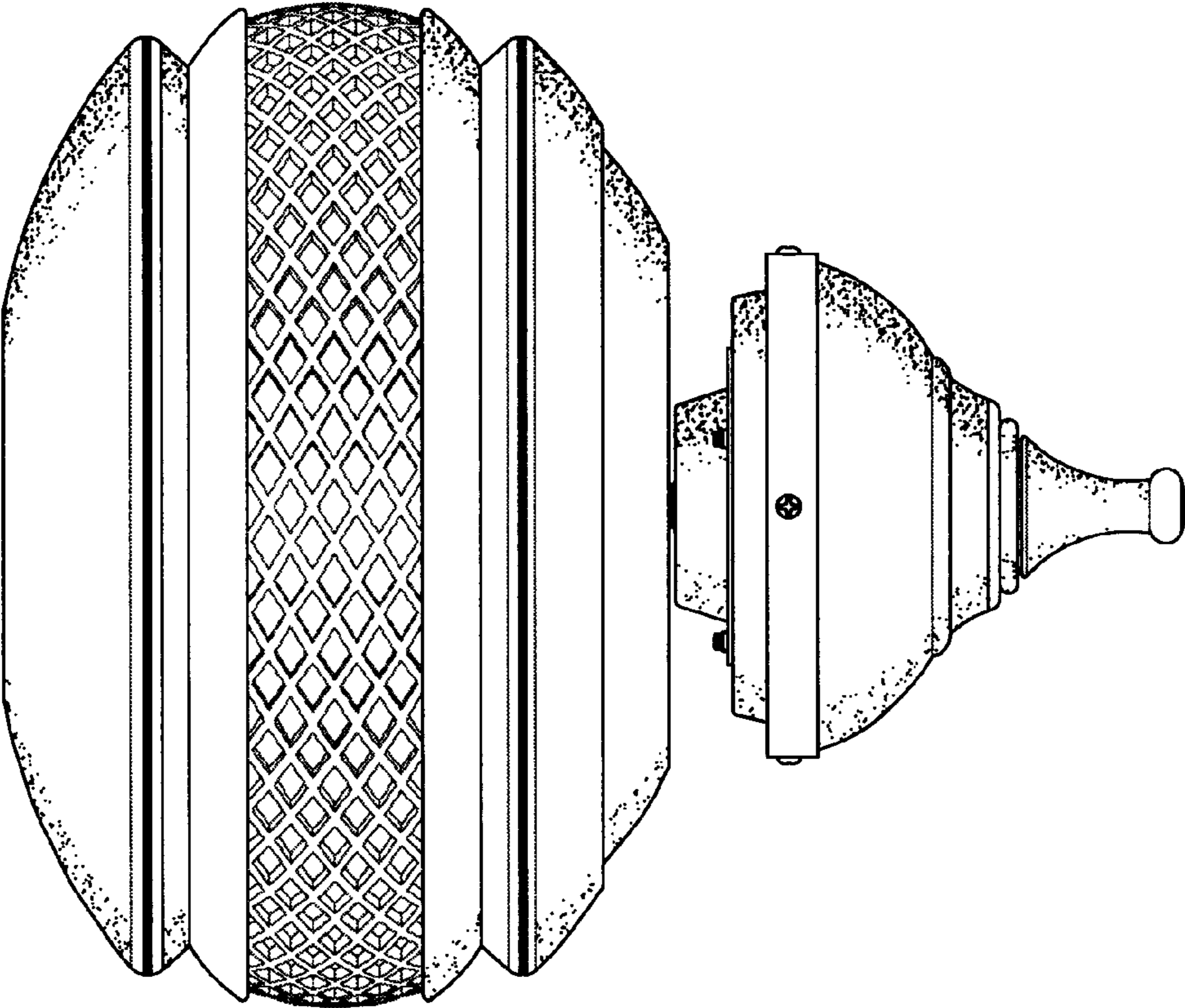


FIG. 2

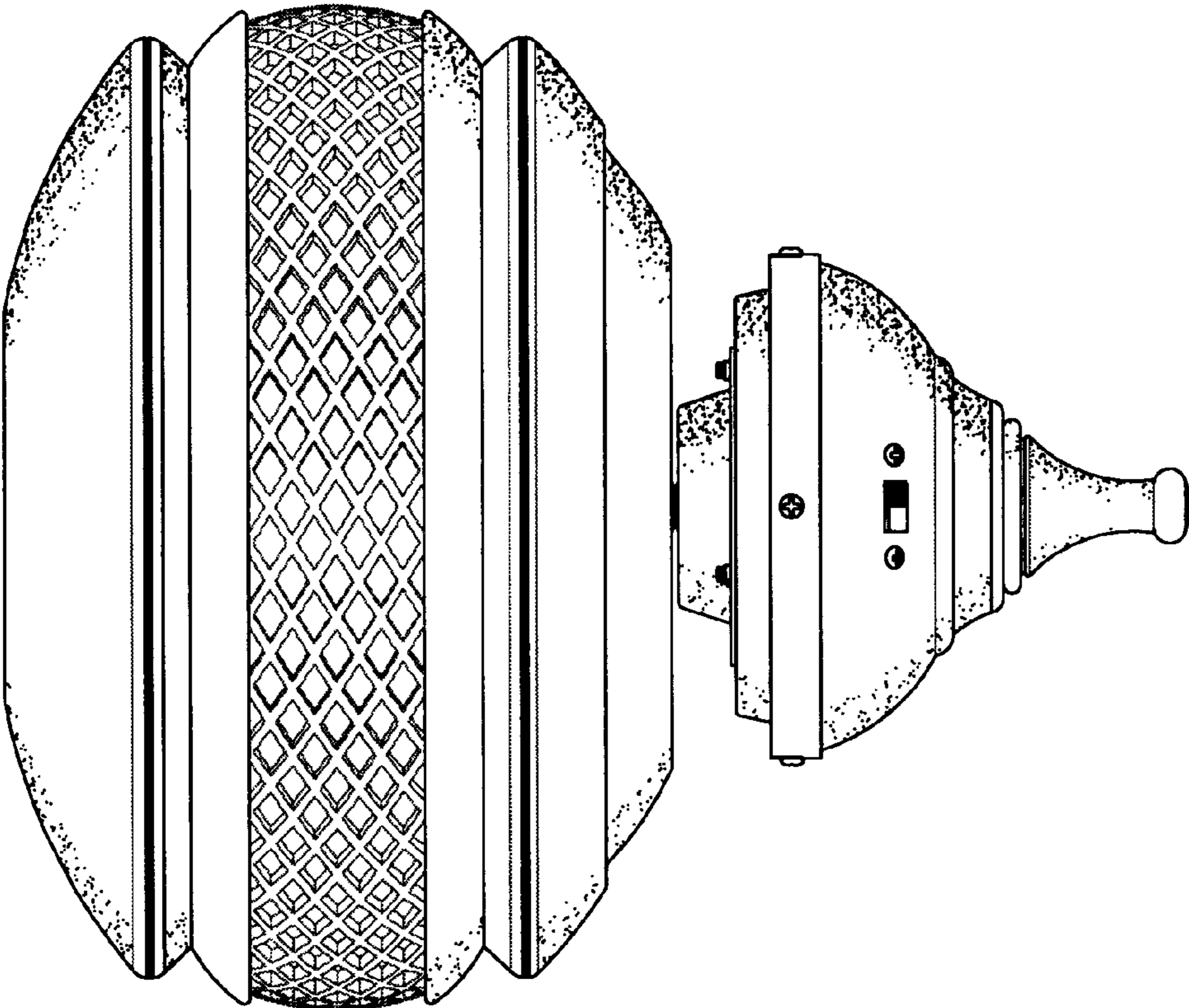


FIG. 3

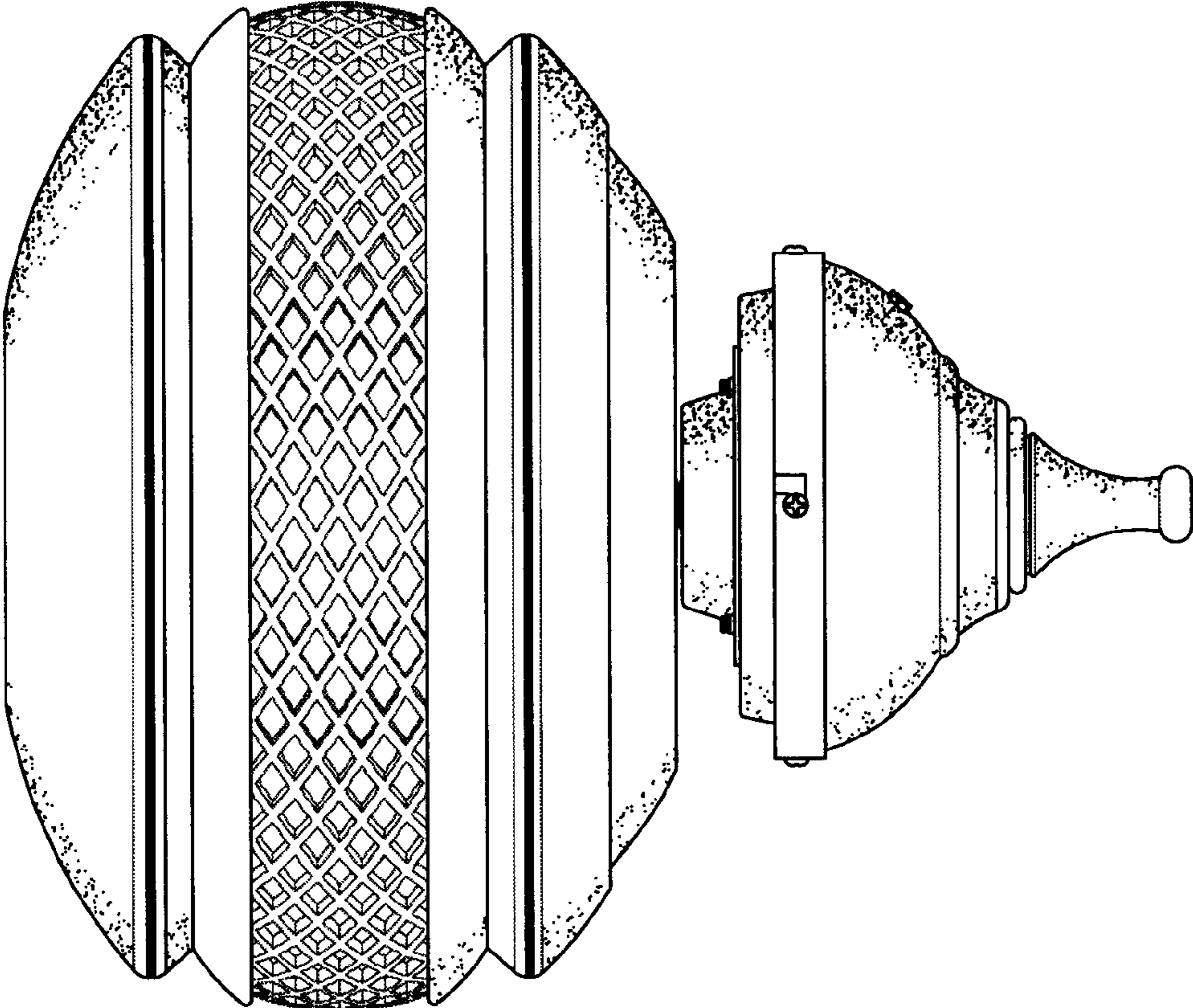


FIG. 4

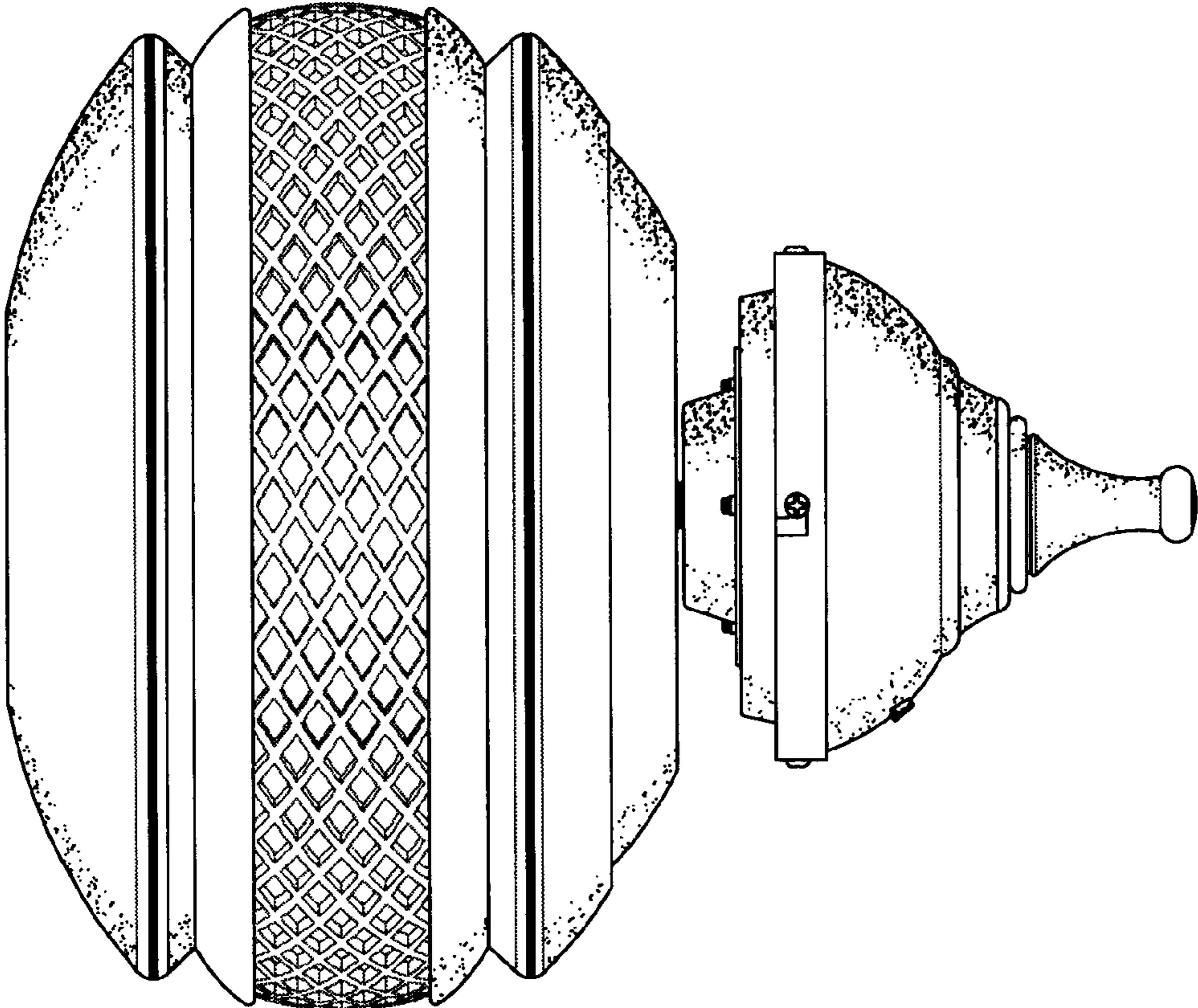


FIG. 5

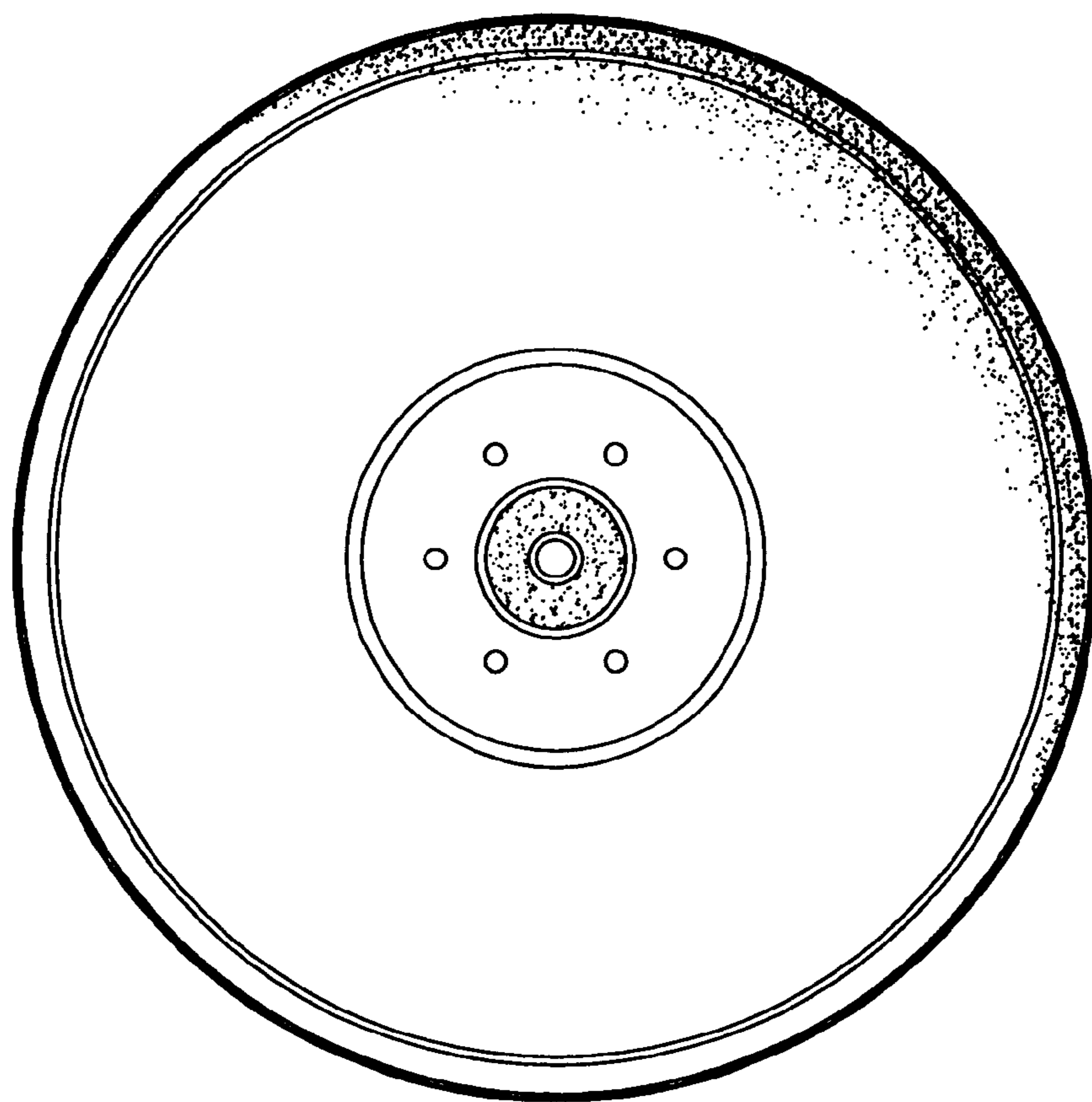


FIG. 6

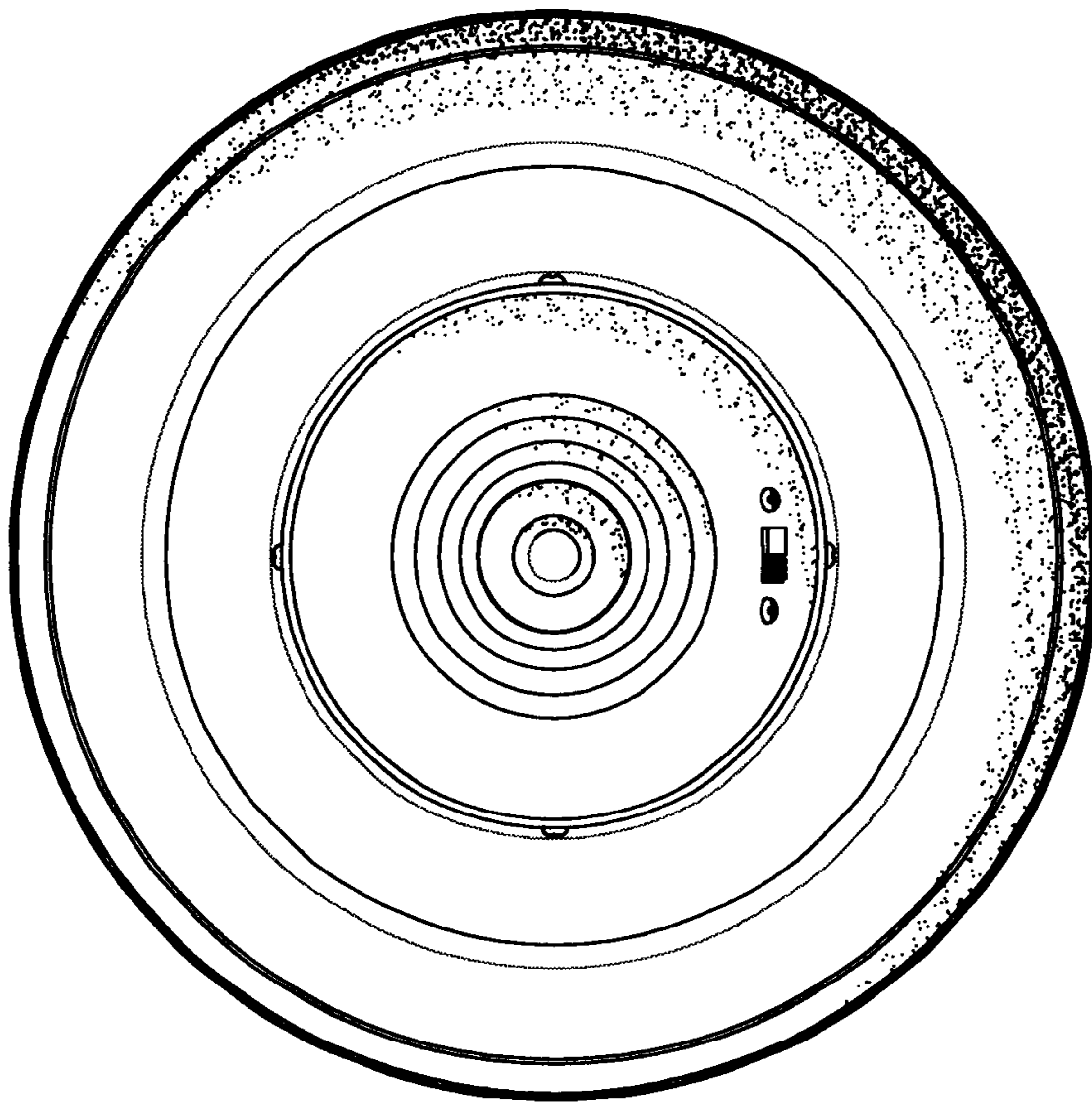


FIG. 7