

US00D522136S

(12) **United States Design Patent**
Hidalgo

(10) **Patent No.:** **US D522,136 S**

(45) **Date of Patent:** **** May 30, 2006**

(54) **CEILING MOUNT**

(75) Inventor: **Rolando Hidalgo**, Orange, CA (US)

(73) Assignee: **Minka Lighting, Inc.**, Corona, CA (US)

(**) Term: **14 Years**

(21) Appl. No.: **29/228,627**

(22) Filed: **Apr. 26, 2005**

(51) **LOC (8) Cl.** **23-04**

(52) **U.S. Cl.** **D23/411**

(58) **Field of Classification Search** D23/377,
D23/379, 385, 411, 413; 416/5; 392/364;
D26/59, 72, 81-88; 362/396

See application file for complete search history.

(56) **References Cited**

U.S. PATENT DOCUMENTS

D440,647 S	*	4/2001	Lee	D23/377
D454,630 S	*	3/2002	Hidalgo	D23/377
D484,233 S	*	12/2003	Bucher et al.	D23/377
D507,827 S	*	7/2005	Hidalgo	D23/377

OTHER PUBLICATIONS

Minka Lighting, Inc.; MinkaAire 2005 catalog; Jan. 2005; pp. 20-21; Minka Lighting, Inc.; U.S.A.
Minka Lighting, Inc.; MinkaAire 2005 catalog; Jan. 2005; pp. 48-49; Minka Lighting, Inc.; U.S.A.
Minka Lighting, Inc.; MinkaAire 2005 catalog; Jan. 2005; pp. 62-63; Minka Lighting, Inc.; U.S.A.

Minka Lighting, Inc.; MinkaAire 2005 catalog; Jan. 2005; pp. 66-67; Minka Lighting, Inc.; U.S.A.

Ellington Internet Catalog; The Neoclassic; Model #ELNCL52NC5LKRC; printed from www.fansworksoutlet.com on Apr. 20, 2005.

Monte Carlo Internet Catalog; Premier; Model #MC-5PR52FB; printed from www.hansenwholesale.com on Apr. 21, 2005.

* cited by examiner

Primary Examiner—Lisa Lichtenstein

(74) *Attorney, Agent, or Firm*—Baker & McKenzie LLP

(57) **CLAIM**

The ornamental design for a ceiling mount, as shown and described.

DESCRIPTION

FIG. 1 is a perspective view from below of a ceiling mount in accordance with my design;

FIG. 2 is an enlarged perspective view from below of the ceiling mount in accordance with my design;

FIG. 3 is an enlarged side elevation view of the ceiling mount in accordance with my design; and,

FIG. 4 is an enlarged top plan view of the ceiling mount in accordance with my design.

The broken lines showing environmental structure are for illustrative purposes and form no part of the claimed invention.

1 Claim, 2 Drawing Sheets

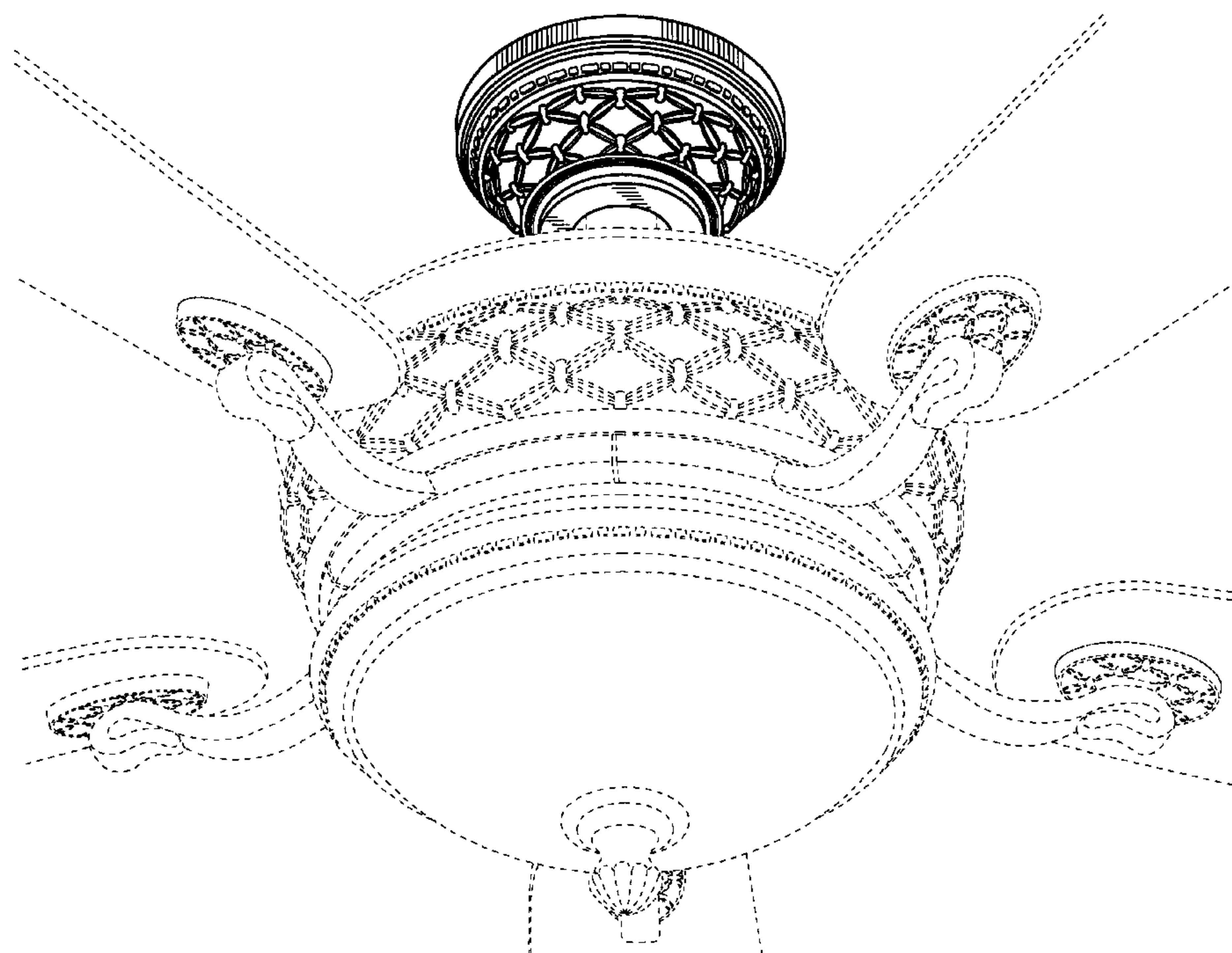
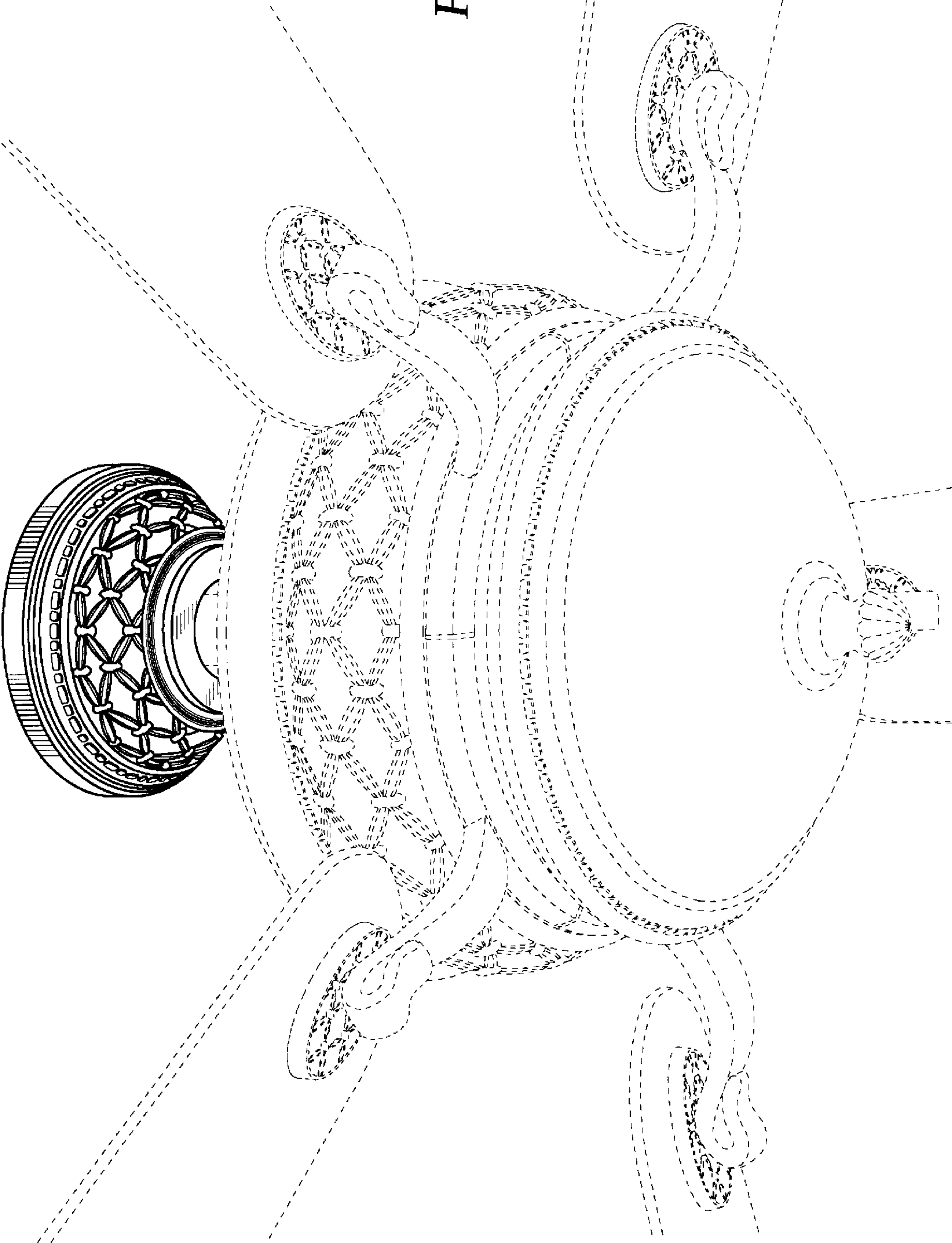


Fig.1



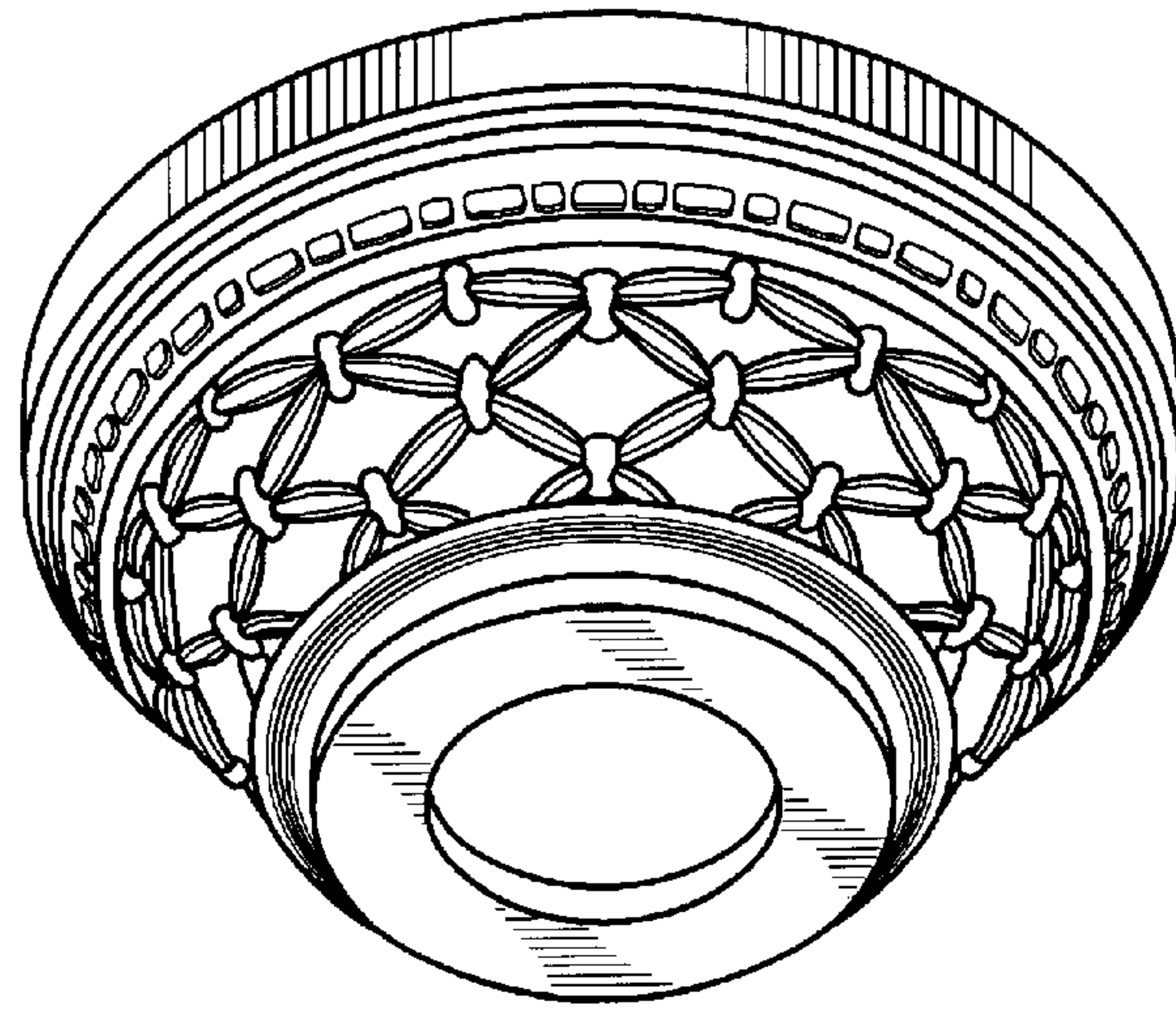


Fig. 2

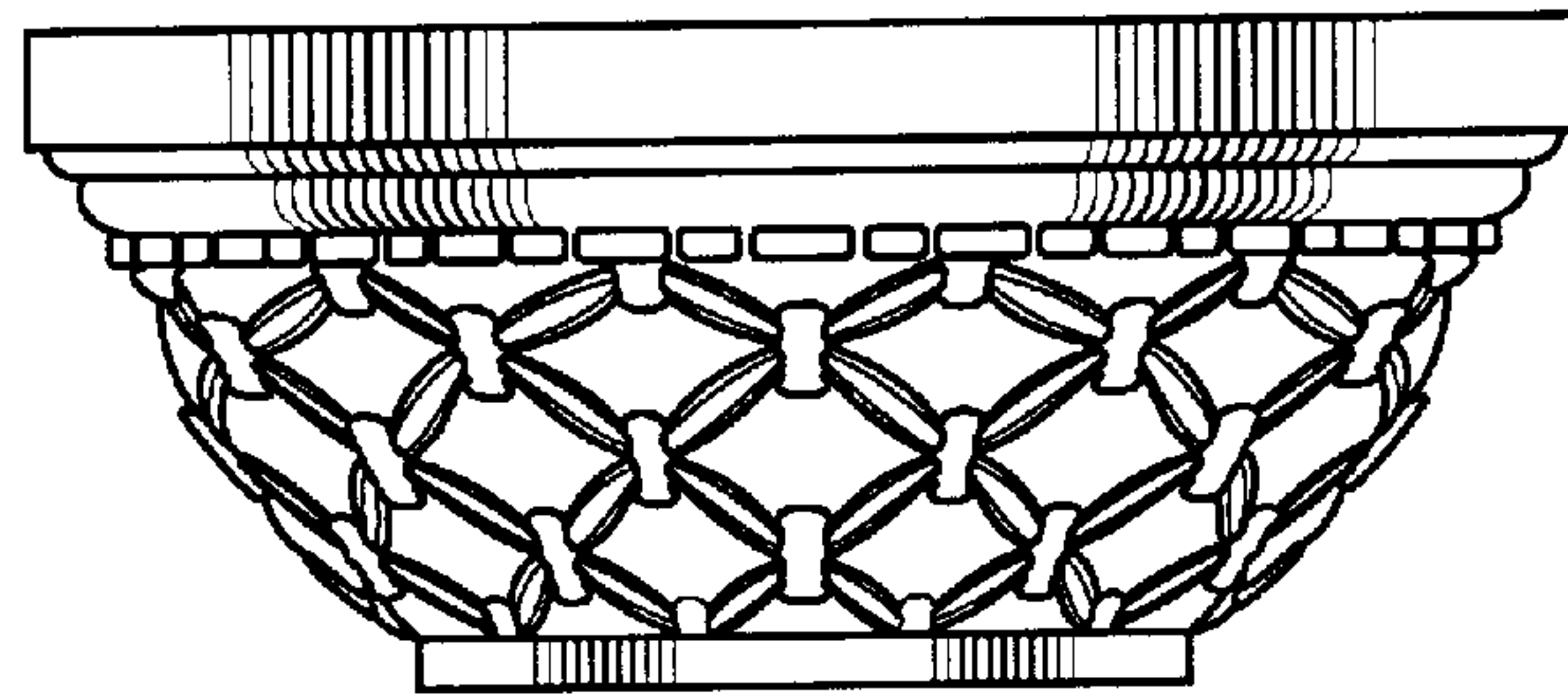


Fig. 3

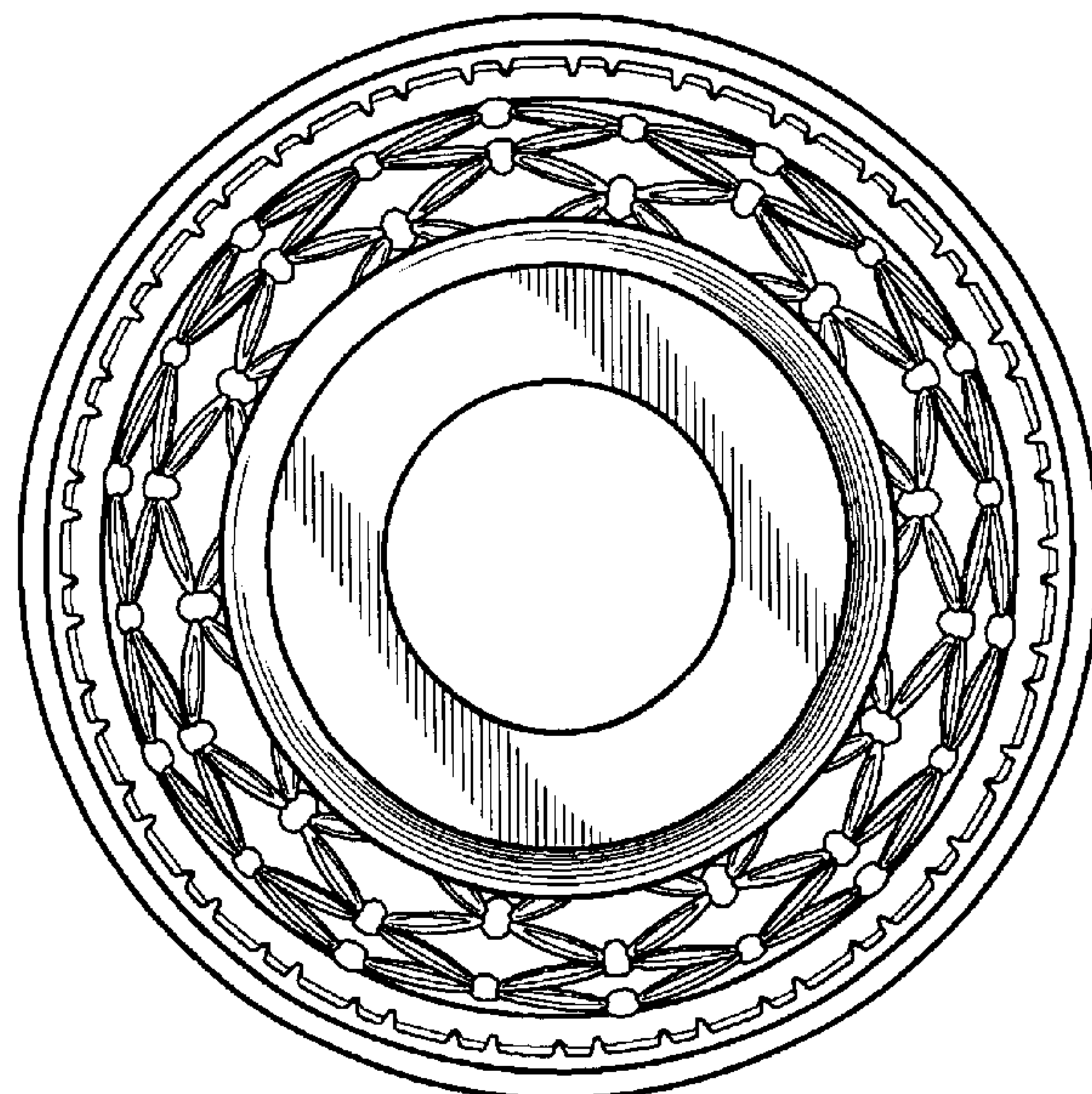


Fig. 4