



US00D522134S

(12) **United States Design Patent**  
**Florez**

(10) **Patent No.:** **US D522,134 S**

(45) **Date of Patent:** **\*\* May 30, 2006**

(54) **PORTION OF A CEILING FAN HOUSING**

(75) Inventor: **Miguel Florez**, Riverside, CA (US)

(73) Assignee: **Minka Lighting, Inc.**, Corona, CA (US)

(\*\*) Term: **14 Years**

(21) Appl. No.: **29/228,007**

(22) Filed: **Apr. 19, 2005**

(51) **LOC (8) Cl.** ..... **23-04**

(52) **U.S. Cl.** ..... **D23/411**

(58) **Field of Classification Search** ..... D23/377,  
D23/379, 385, 411, 413; 416/5; D26/59,  
D26/81-88, 72; 362/96

See application file for complete search history.

(56) **References Cited**

**U.S. PATENT DOCUMENTS**

D440,647 S	*	4/2001	Lee	.....	D23/377
D454,630 S	*	3/2002	Hidalgo	.....	D23/377
D484,233 S	*	12/2003	Bucher et al.	.....	D23/377
D507,827 S	*	7/2005	Hidalgo	.....	D23/377

**OTHER PUBLICATIONS**

Emerson Internet Catalog; Castilla; Model #KF120SCK; printed from www.fanshack.com on Apr. 20, 2005.

Ellington Internet Catalog; LaRochelle; Model #ELLR54BGD5LKWCR2; printed from www.fanswork-soutlet.com on Apr. 20, 2005.

Patio Collection Internet Catalog; Model #014255; printed from www.ceilingfansontheweb.com on Apr. 20, 2005.

Home Lighting & Accessories; Dallas Summer Market catalog; Jun. 2004; pp. 50-51; Savoy House; U.S.A.

Minka Lighting, Inc.; MinkaAire 2005 catalog; Jan. 2005; p. 20; Minka Lighting, Inc.; U.S.A.

Minka Lighting, Inc.; MinkaAire 2005 catalog; Jan. 2005; pp. 48-49; Minka Lighting, Inc.; U.S.A.

Minka Lighting, Inc.; MinkaAire 2005 catalog; Jan. 2005; pp. 24-25; Minka Lighting, Inc.; U.S.A.

Minka Lighting, Inc.; MinkaAire 2005 catalog; Jan. 2005; pp. 50-51; Minka Lighting, Inc.; U.S.A.

Minka Lighting, Inc.; MinkaAire 2005 catalog; Jan. 2005; pp. 14-15; Minka Lighting, Inc.; U.S.A.

\* cited by examiner

*Primary Examiner*—Lisa Lichtenstein

(74) *Attorney, Agent, or Firm*—Baker & McKenzie LLP

(57) **CLAIM**

The ornamental design for a portion of a ceiling fan housing, as shown and described.

**DESCRIPTION**

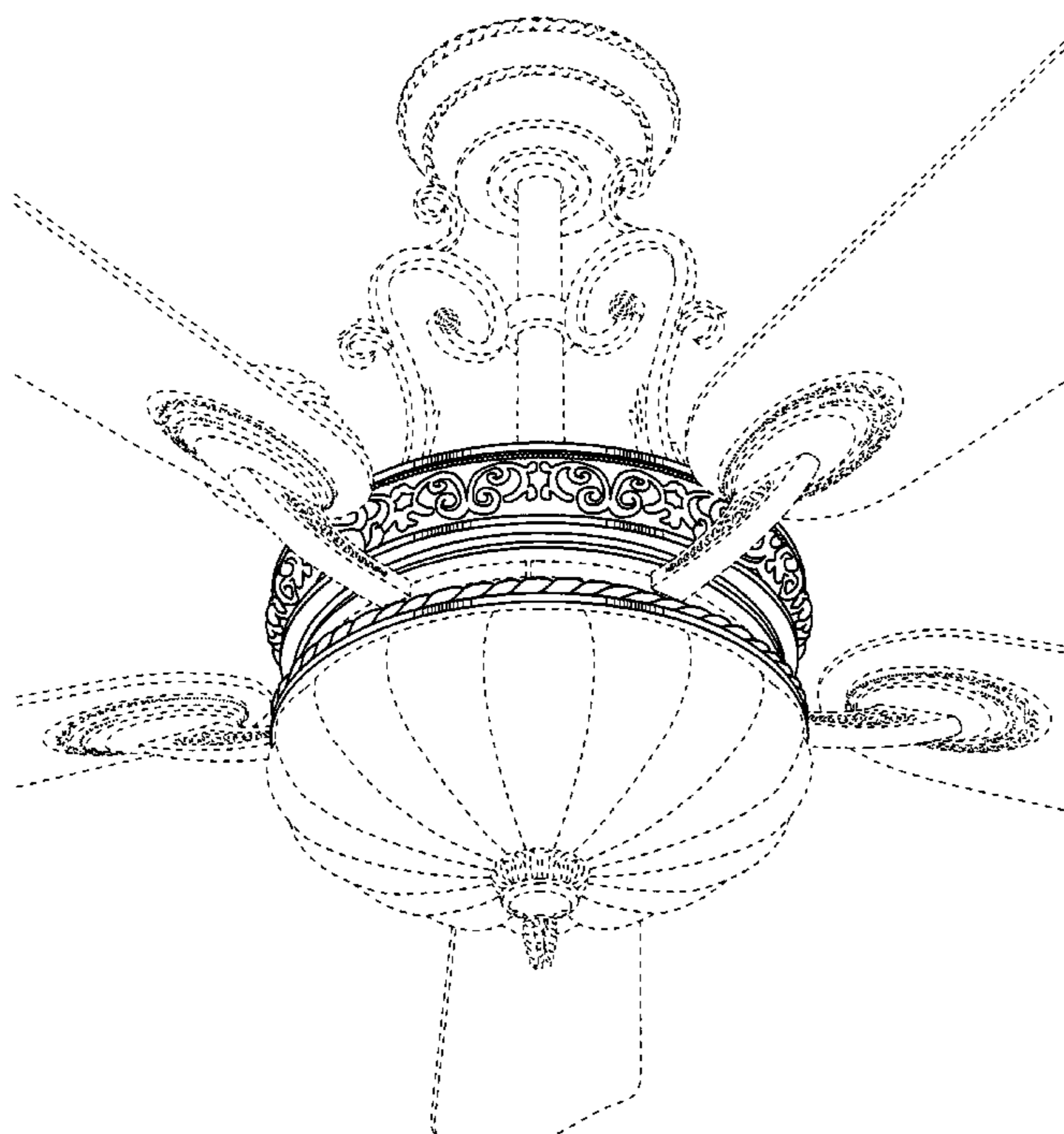
FIG. 1 is a perspective view from below of a portion of a ceiling fan housing in accordance with my design;

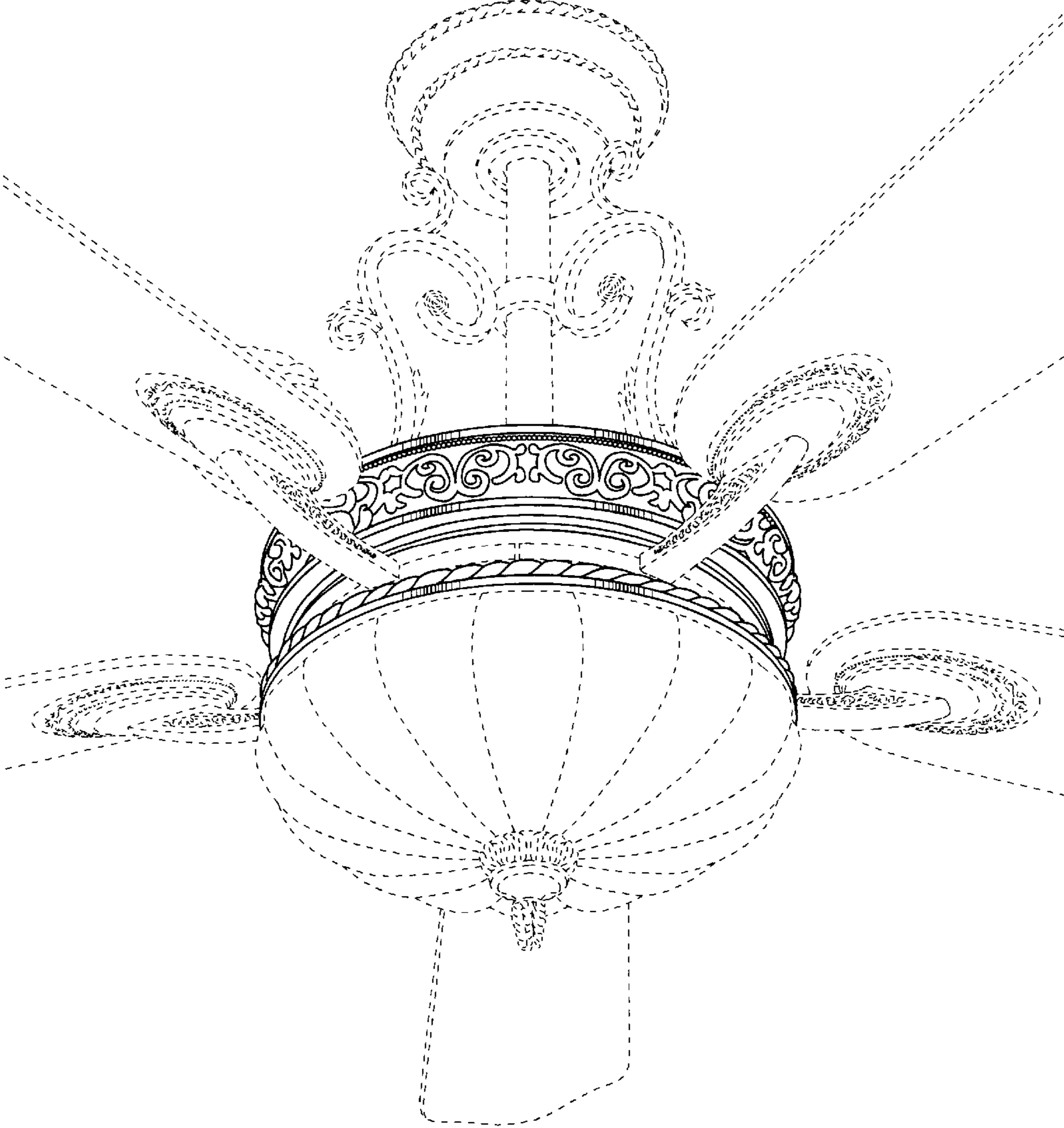
FIG. 2 is a front elevation view of the portion of a ceiling fan housing in accordance with my design; and,

FIG. 3 is a side elevation view of the portion of a ceiling fan housing in accordance with my design.

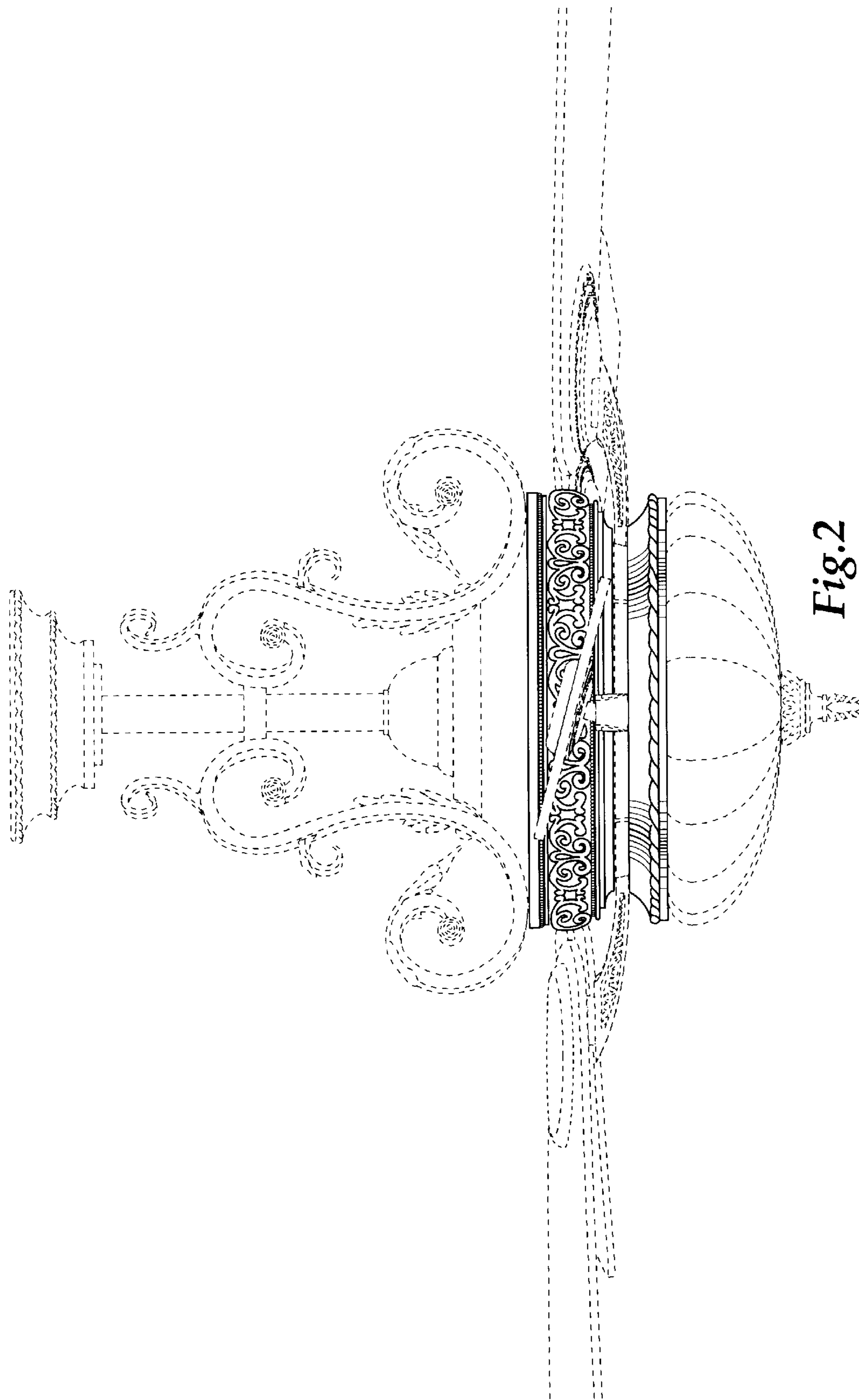
The broken lines showing environmental structure are for illustrative purposes only and form no part of the claimed design.

**1 Claim, 3 Drawing Sheets**





*Fig.1*



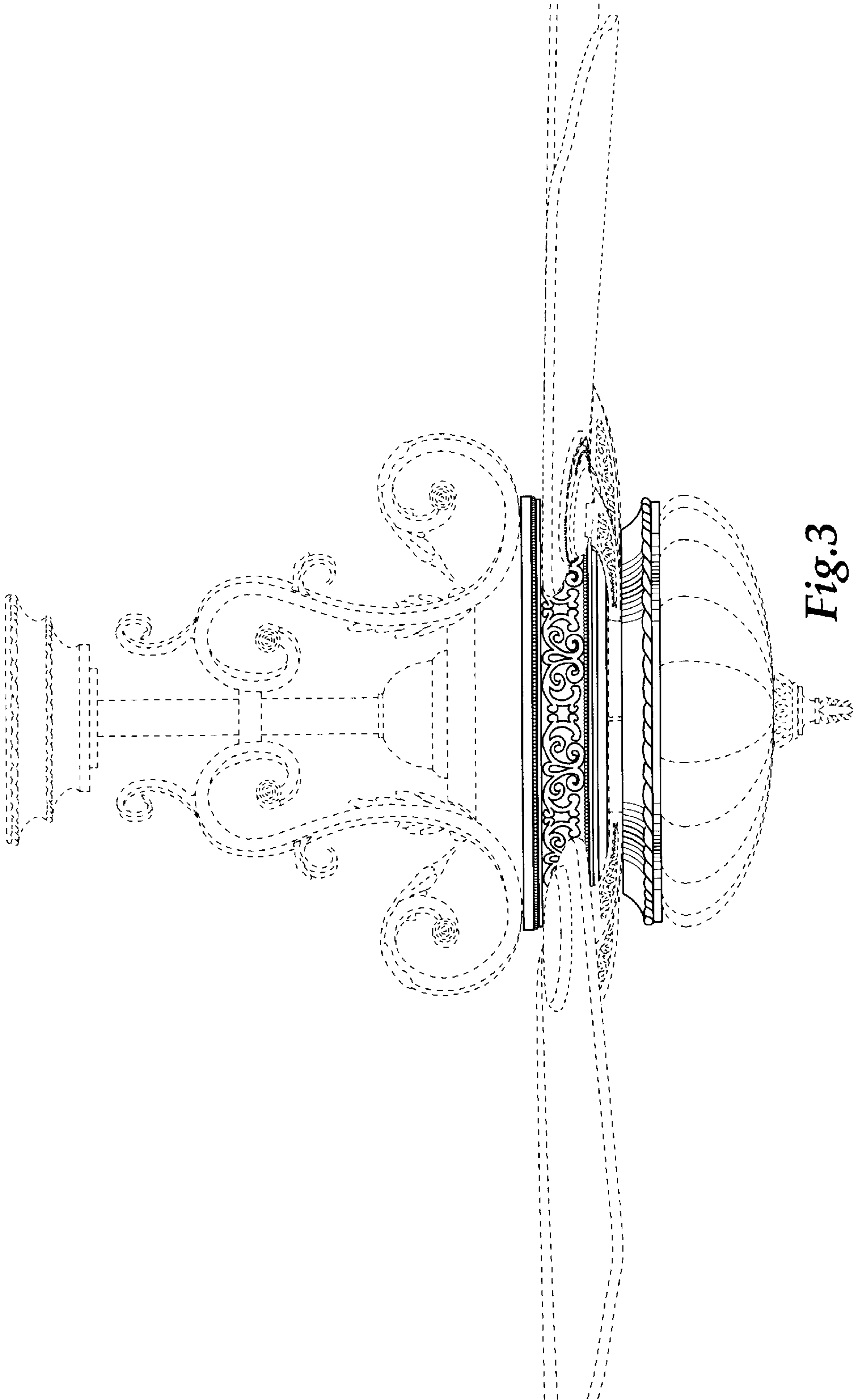


Fig.3



UNITED STATES PATENT AND TRADEMARK OFFICE  
**CERTIFICATE OF CORRECTION**

PATENT NO. : Des. 522,134 S  
APPLICATION NO. : 29/228007  
DATED : May 30, 2006  
INVENTOR(S) : Miguel Flores

Page 1 of 1

It is certified that error appears in the above-identified patent and that said Letters Patent is hereby corrected as shown below:

On Title Page Item 75 Col. 1 please change the name of the inventor "Miguel Florez"  
to --Miguel Flores--

Signed and Sealed this

Twenty-first Day of November, 2006

A handwritten signature in black ink on a light gray dotted background. The signature reads "Jon W. Dudas" in a cursive style.

JON W. DUDAS

*Director of the United States Patent and Trademark Office*