



US00D522132S

(12) **United States Design Patent**
Dye

(10) **Patent No.:** **US D522,132 S**

(45) **Date of Patent:** **** May 30, 2006**

(54) **CEILING FAN BLADE IRON**

D508,125 S * 8/2005 Curtin D23/411

(75) Inventor: **David L. Dye**, Grapevine, TX (US)

* cited by examiner

(73) Assignee: **Craftmade International, Inc.**,
Coppell, TX (US)

Primary Examiner—Lisa Lichtenstein

(74) *Attorney, Agent, or Firm*—Haynes and Boone, LLP

(**) Term: **14 Years**

(57) **CLAIM**

The ornamental design for a ceiling fan blade iron, as shown and described.

(21) Appl. No.: **29/221,175**

(22) Filed: **Jan. 11, 2005**

DESCRIPTION

(51) **LOC (8) Cl.** **23-04**

FIG. 1 is a perspective view of the ceiling fan blade iron showing my new design;

(52) **U.S. Cl.** **D23/411**

FIG. 2 is a front elevational view thereof;

(58) **Field of Classification Search** D23/377,
D23/379, 385, 411, 413; 416/5, 210 R

FIG. 3 is a right side elevational view thereof, the left side elevational view being a mirror image;

See application file for complete search history.

FIG. 4 is a bottom plan view thereof; and,

FIG. 5 is a top plan view thereof.

Any broken line illustration of environmental structure in the drawings is not part of the design sought to be patented.

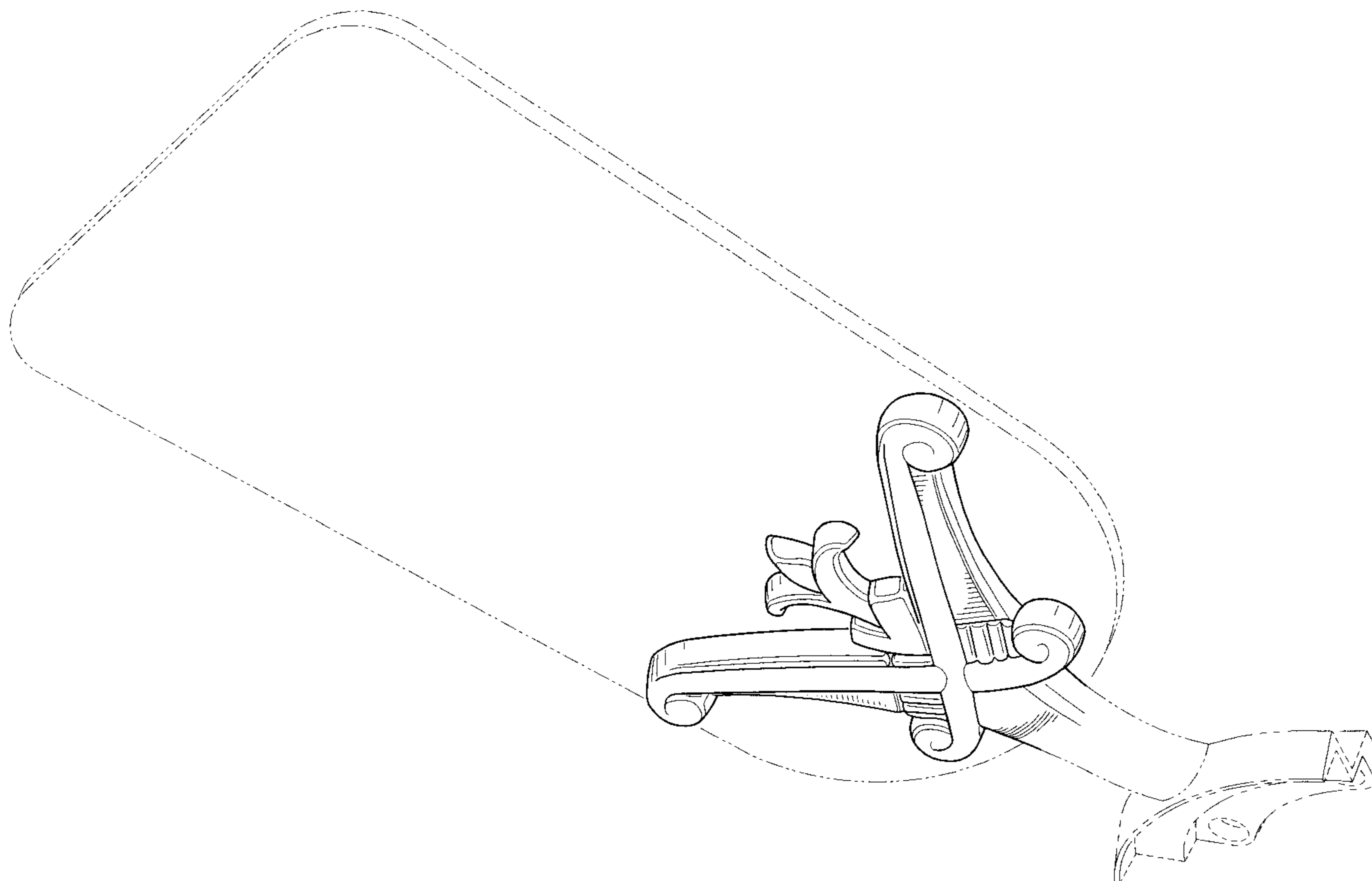
(56) **References Cited**

U.S. PATENT DOCUMENTS

D482,116 S * 11/2003 Curtin D23/411

D508,124 S * 8/2005 Young D23/411

1 Claim, 2 Drawing Sheets



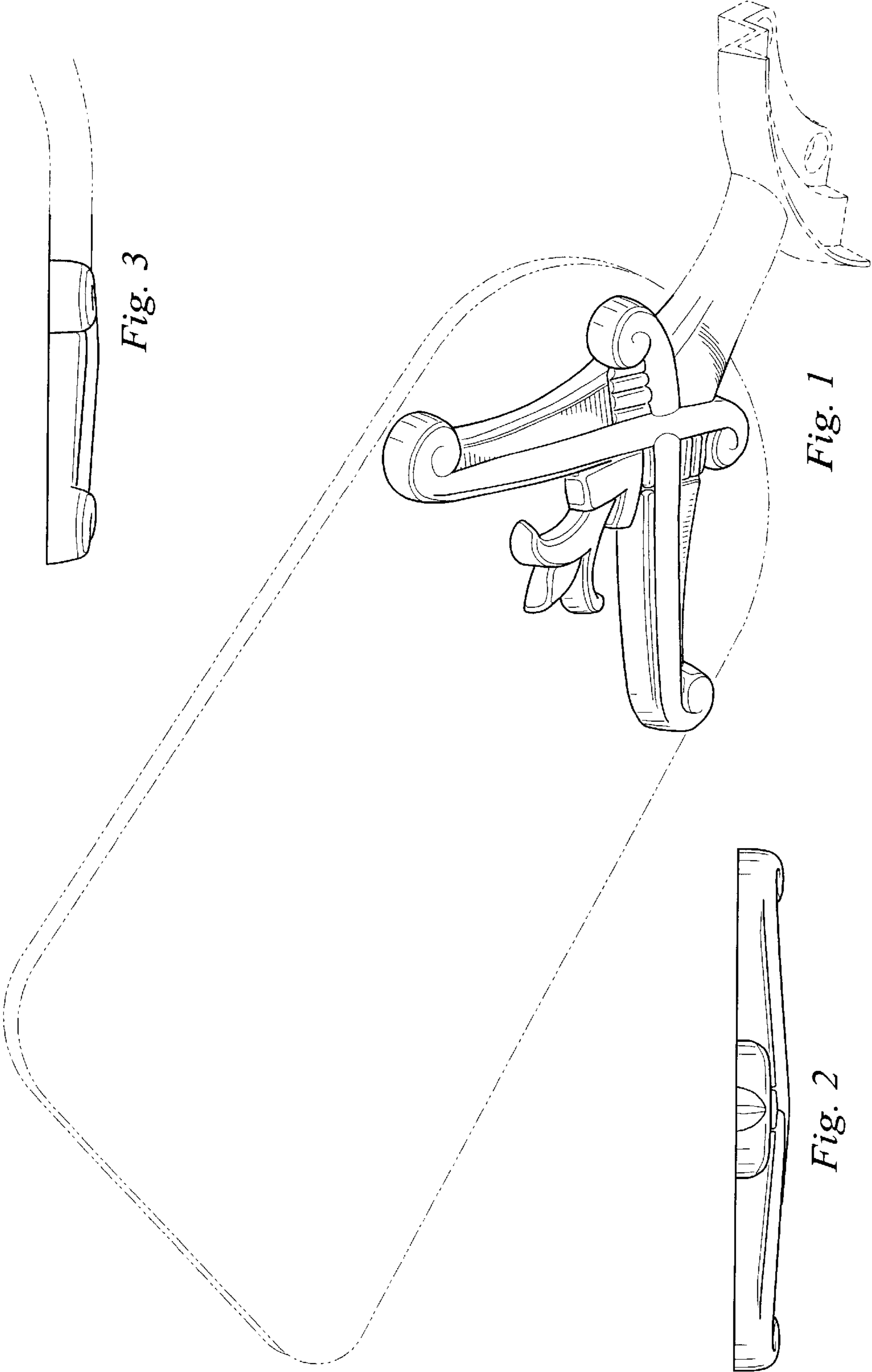


Fig. 3

Fig. 1

Fig. 2

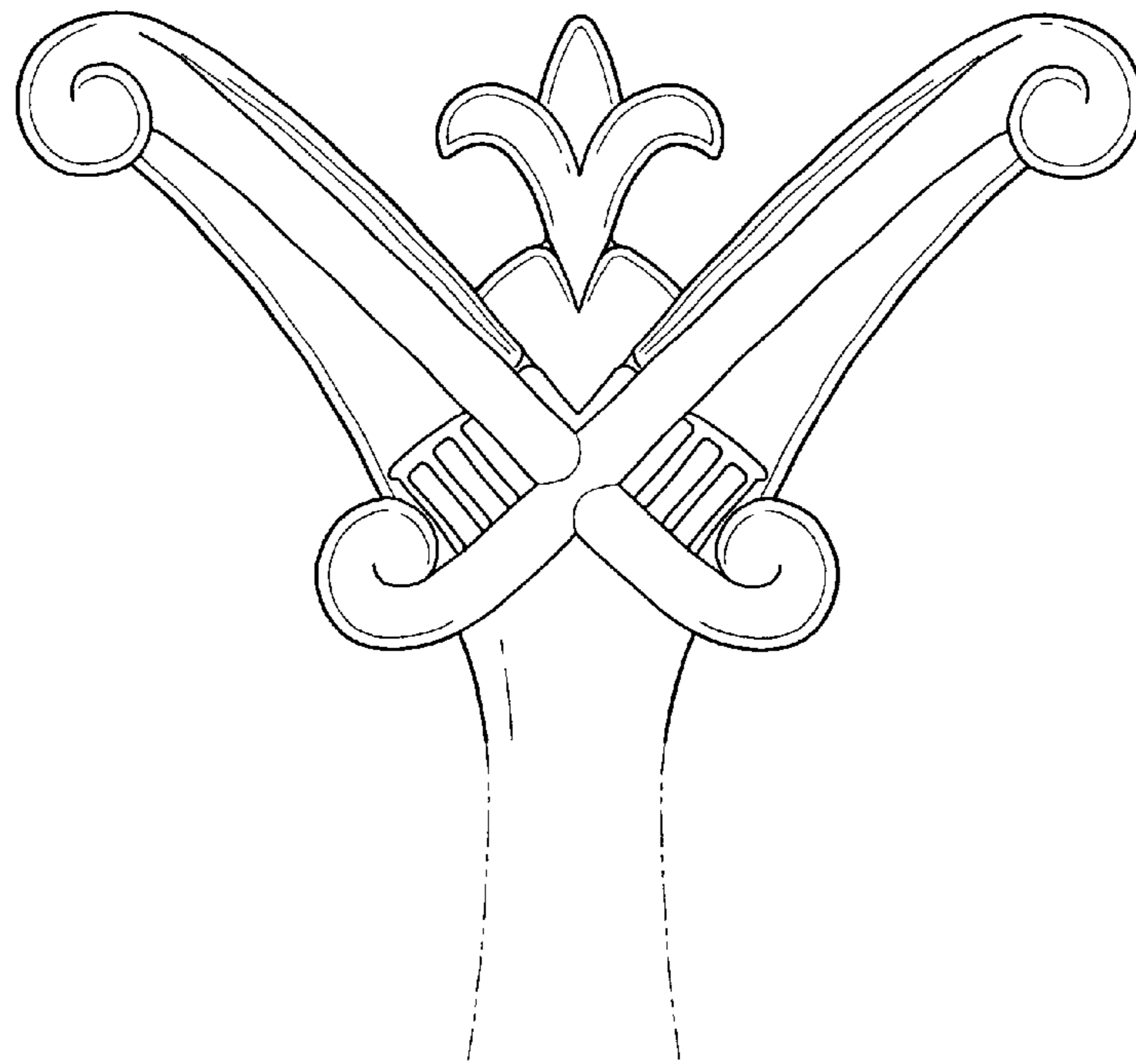


Fig. 4

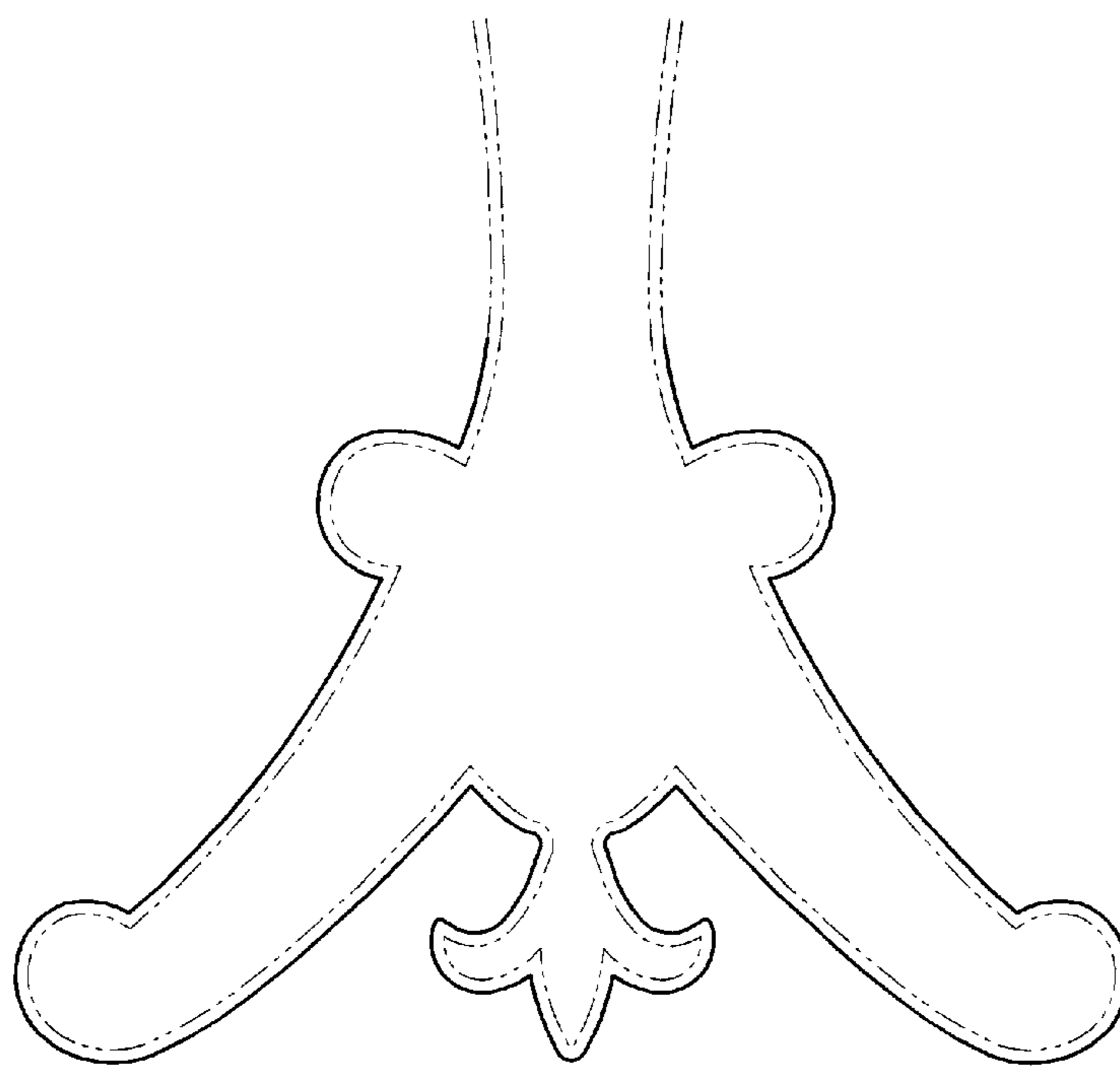


Fig. 5