



US00D522130S

(12) **United States Design Patent**
Frampton et al.

(10) **Patent No.:** **US D522,130 S**

(45) **Date of Patent:** **** May 30, 2006**

(54) **FAN ASSEMBLY**

(75) Inventors: **Thomas C. Frampton**, Zionsville, IN (US); **Keith R. Schoene**, Westfield, IN (US); **Tania N. Frampton**, Zionsville, IN (US)

(73) Assignee: **Fanimation, Inc.**, Zionsville, IN (US)

(**) Term: **14 Years**

(21) Appl. No.: **29/220,917**

(22) Filed: **Jan. 7, 2005**

(51) **LOC (8) Cl.** **23-04**

(52) **U.S. Cl.** **D23/411**

(58) **Field of Classification Search** D23/377,
D23/379, 385, 411, 413; 416/5
See application file for complete search history.

(56) **References Cited**

U.S. PATENT DOCUMENTS

D292,313 S	10/1987	Kawai	
D339,191 S	9/1993	Vieyra	
D378,404 S	3/1997	Jaspers-Fayer	
D386,257 S	* 11/1997	Liu D23/377
D392,695 S	* 3/1998	Haupt D21/476

OTHER PUBLICATIONS

2002 Fanimation, Inc. catalog, Published at least as early as 2002, forty (40) pages.

* cited by examiner

Primary Examiner—Lisa Lichtenstein

(74) *Attorney, Agent, or Firm*—Maginot Moore & Beck

(57) **CLAIM**

The ornamental design for a fan assembly, as shown and described.

DESCRIPTION

FIG. 1 is a front, bottom perspective view of a fan assembly showing our new design;

FIG. 2 is a rear elevational view showing the design for the fan assembly of FIG. 1;

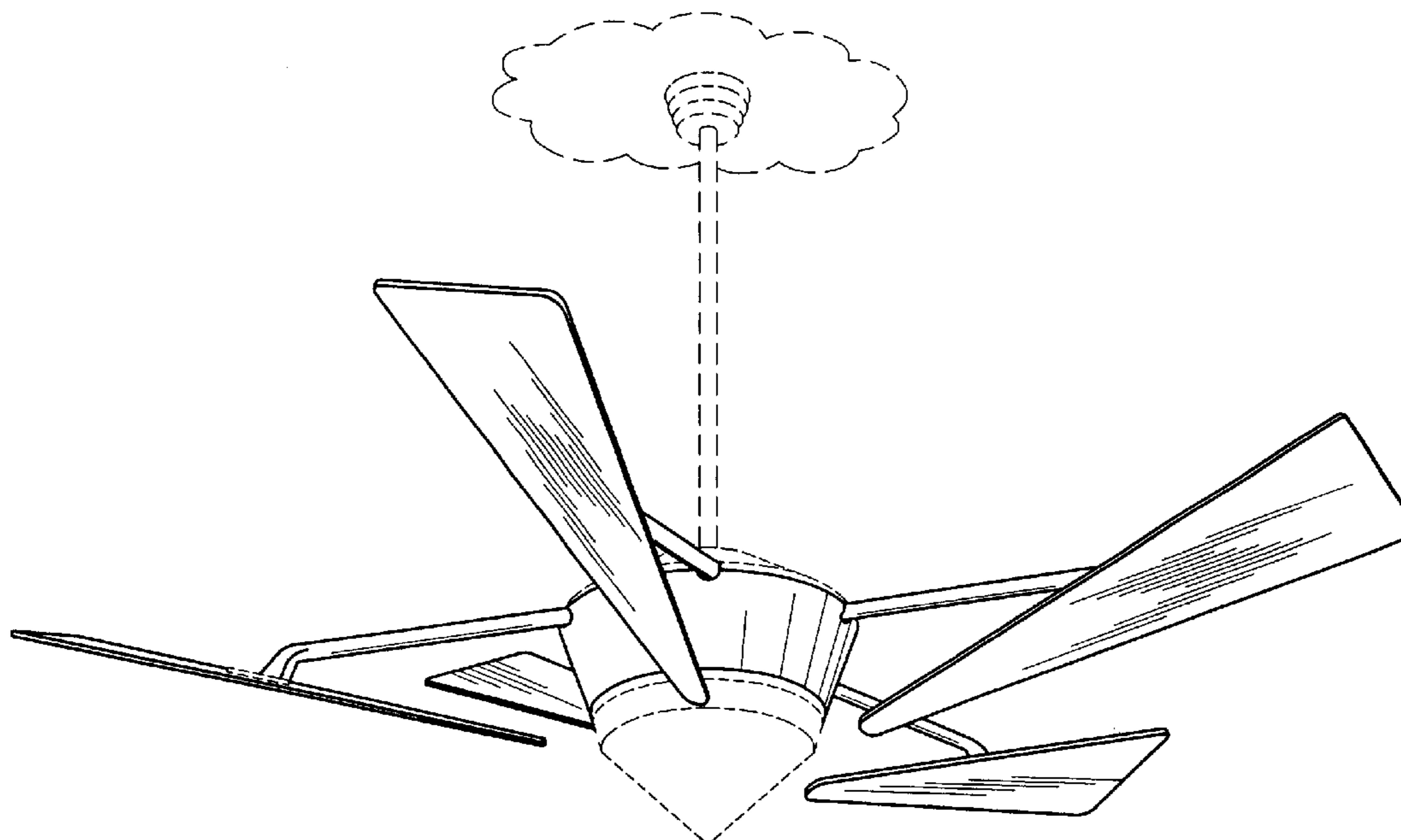
FIG. 3 is front, top perspective view showing the design for the fan assembly of FIG. 1;

FIG. 4 is a bottom plan view showing the design for the fan assembly of FIG. 1; and,

FIG. 5 is a top plan view showing the design for the fan assembly of FIG. 1.

In FIGS. 1–5, the broken line showing of various items including (i) the central vertical support member (FIGS. 1–3 and 5), (ii) a portion of the ceiling to which the central vertical support member is attached (FIG. 1), (iii) the upper motor housing portion (FIGS. 1–3 and 5), and (iv) the light cover located below the lower motor housing portion (FIGS. 1–4) is for illustrative purposes only and forms no part of the claimed design.

1 Claim, 5 Drawing Sheets



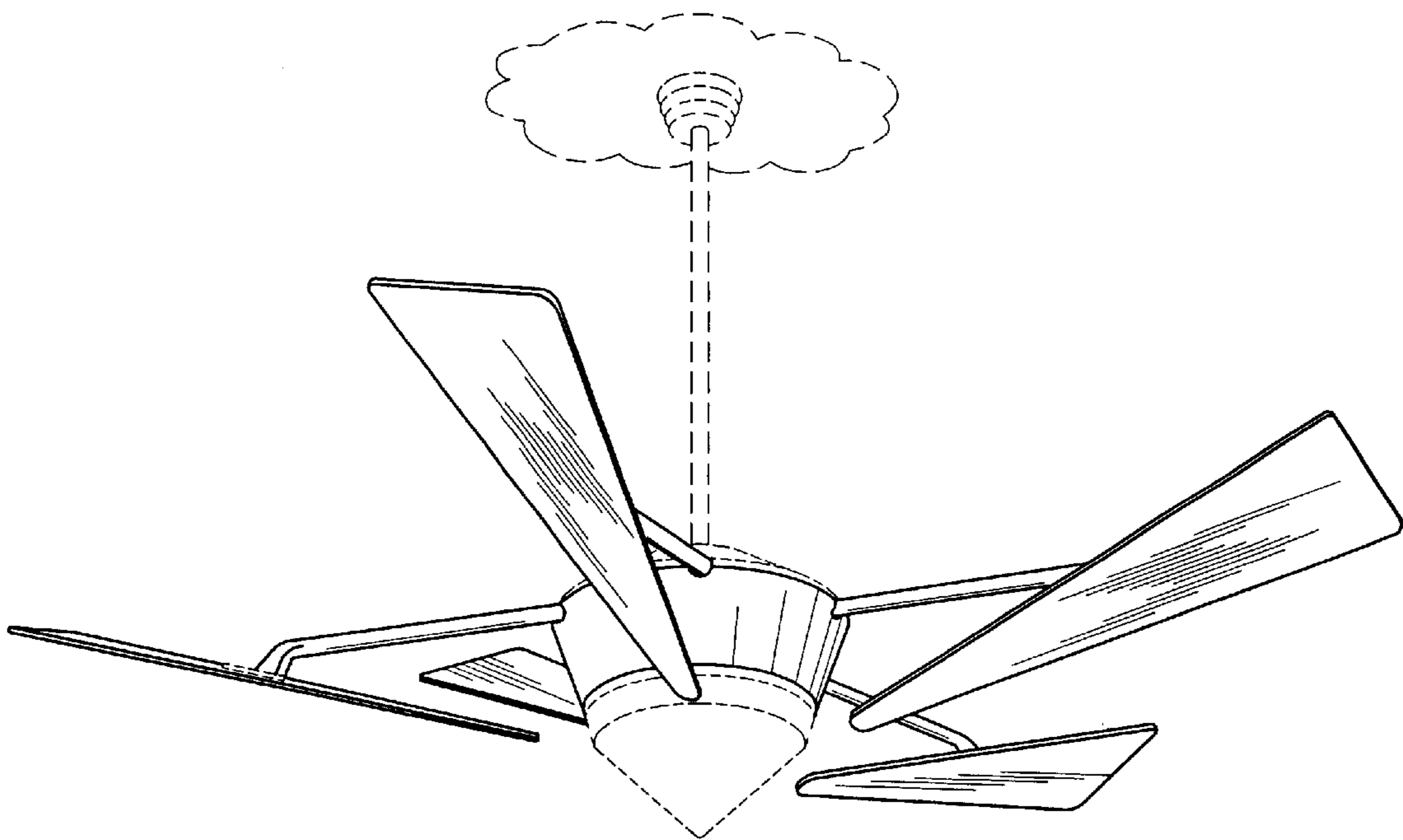


Fig. 1

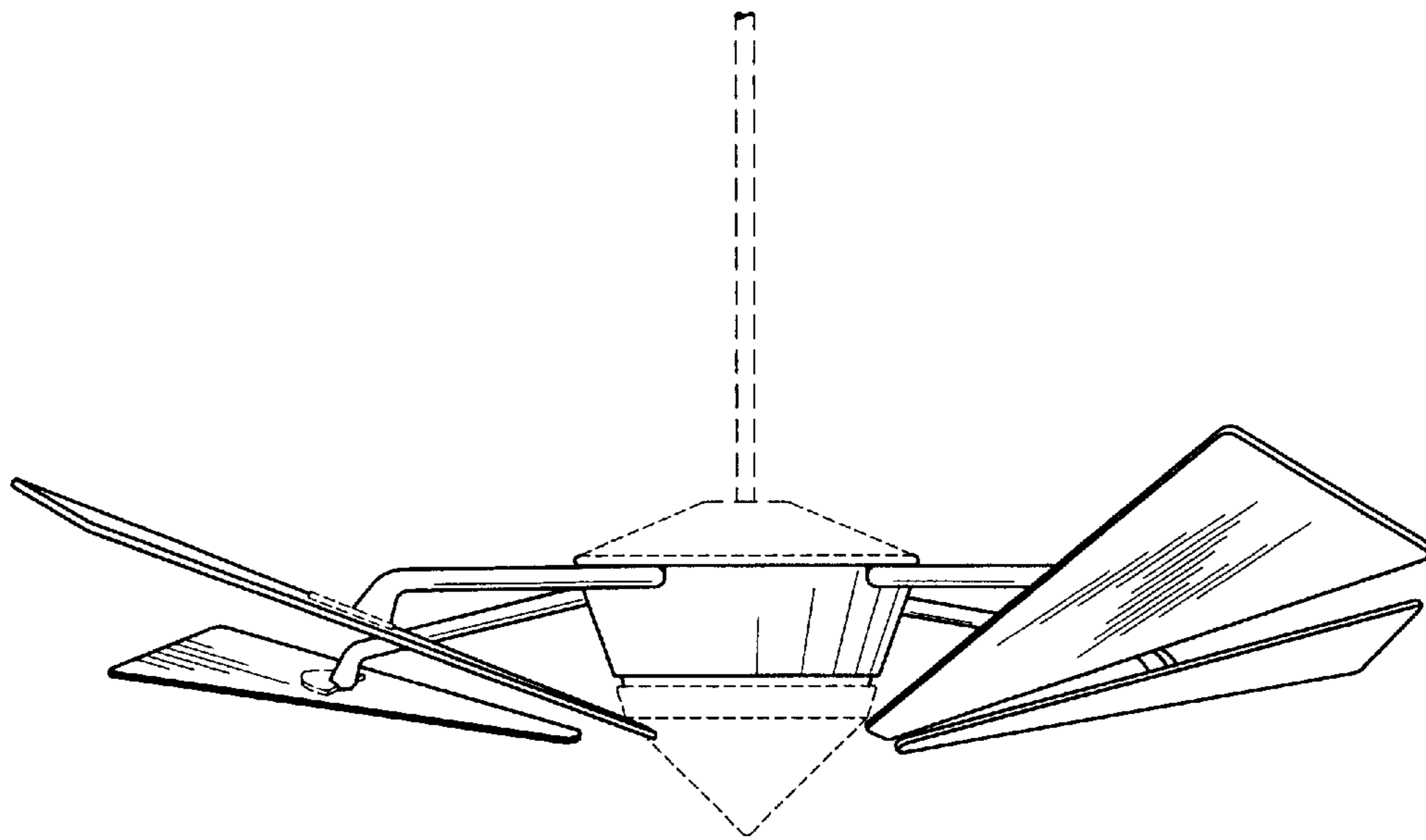


Fig. 2

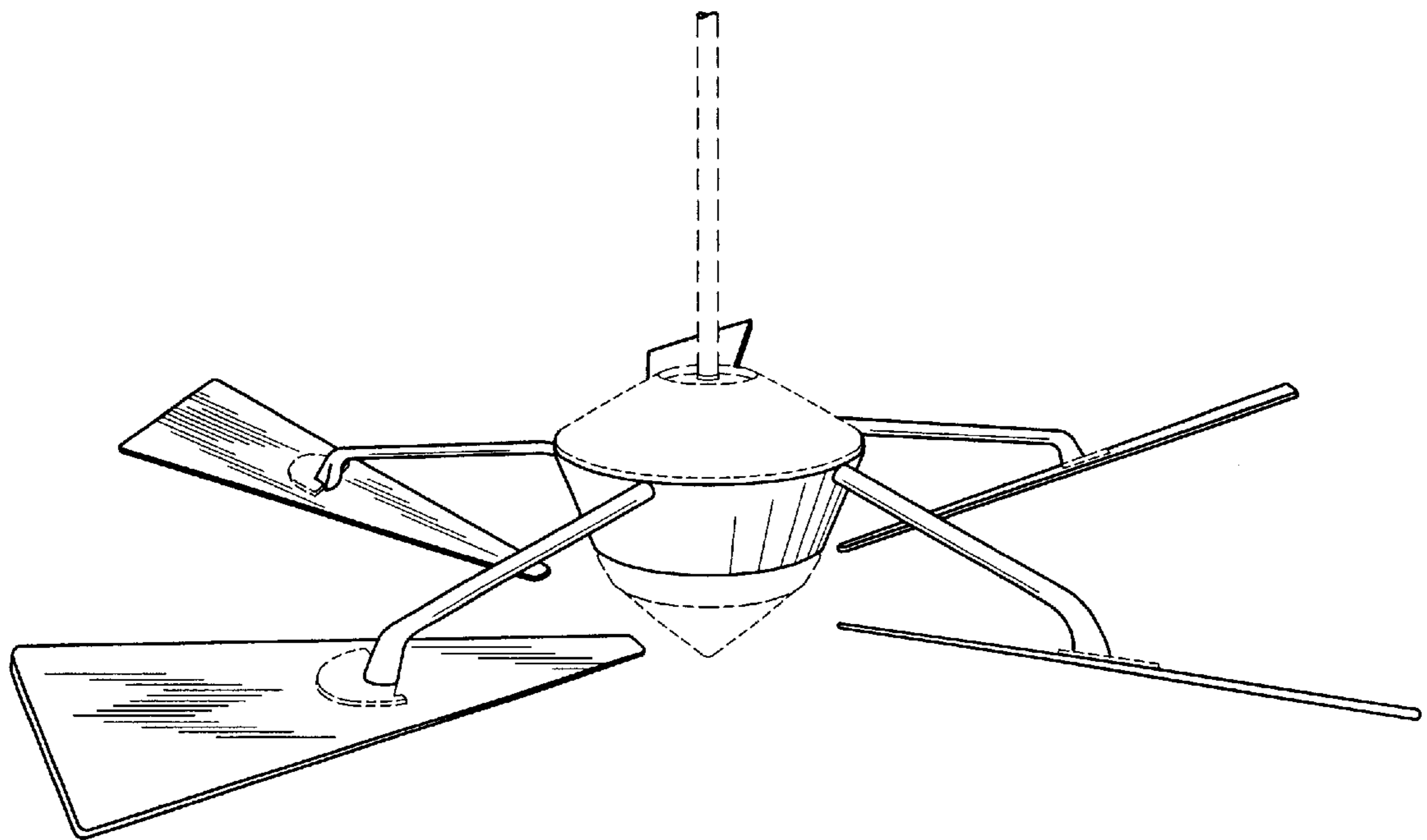


Fig. 3

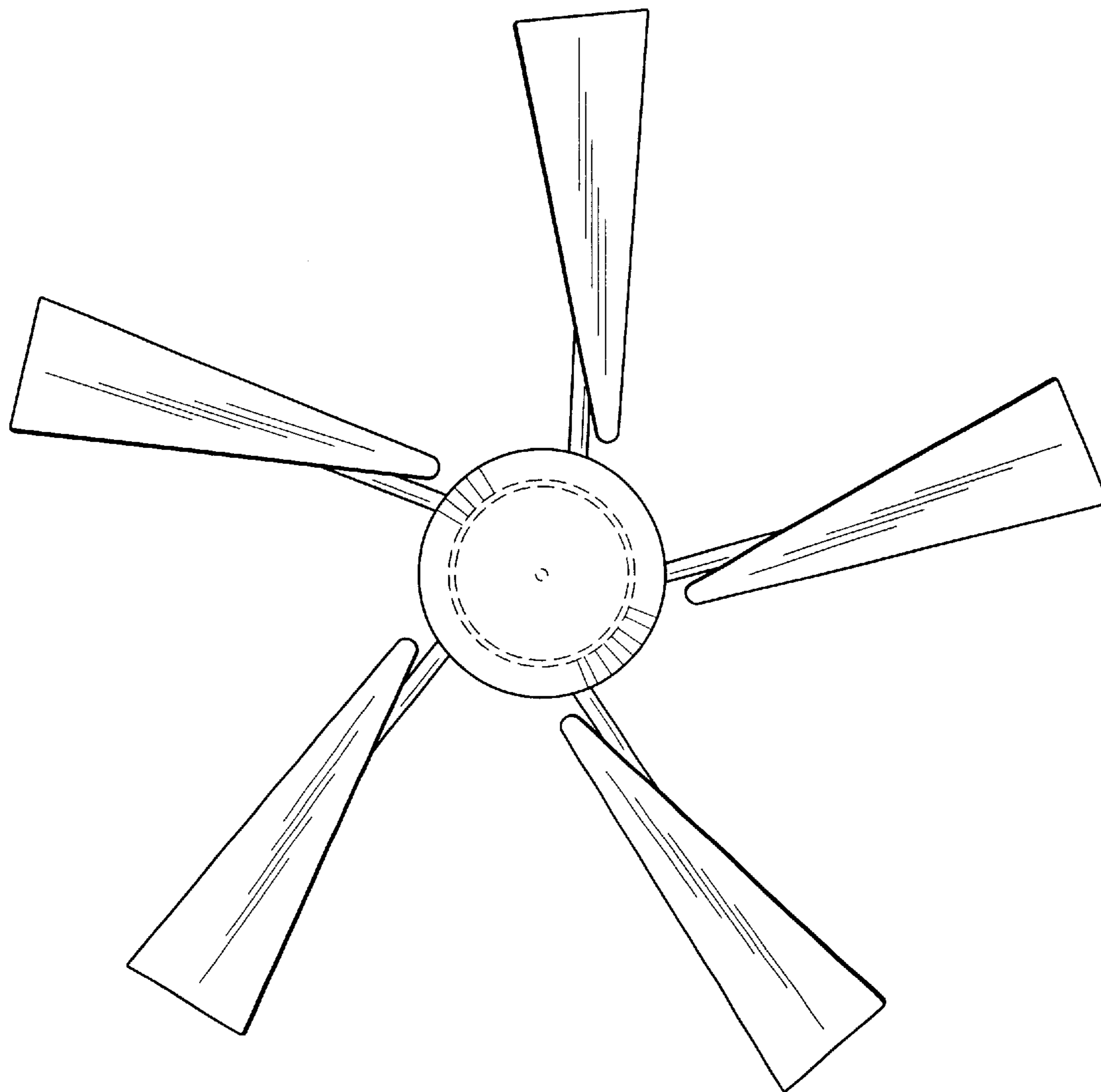


Fig. 4

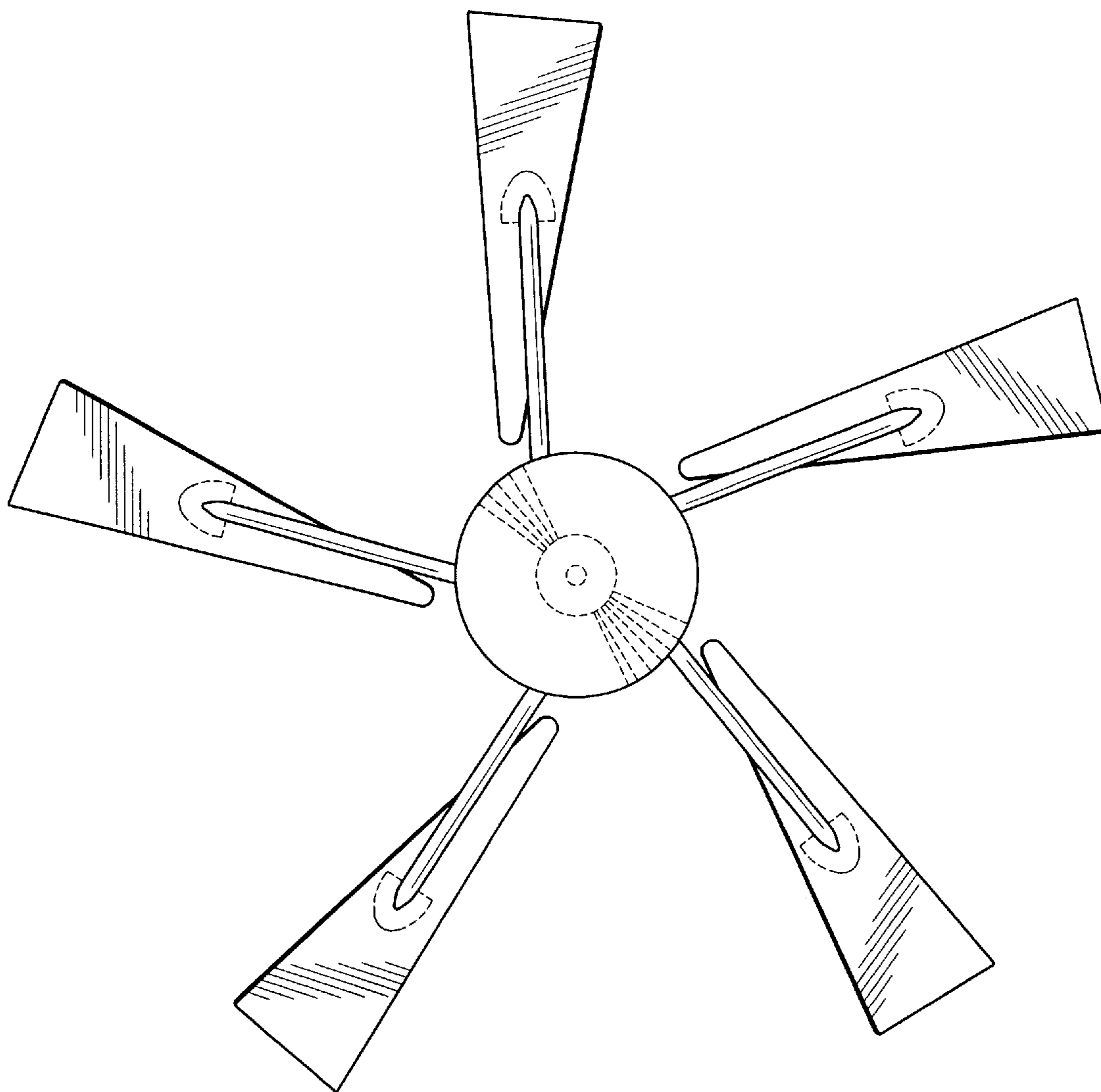


Fig. 5