



US00D522129S

(12) **United States Design Patent**
Hidalgo

(10) **Patent No.:** **US D522,129 S**

(45) **Date of Patent:** **** May 30, 2006**

(54) **CEILING FAN BLADE IRON**

(75) Inventor: **Rolando Hidalgo**, Orange, CA (US)

(73) Assignee: **Minka-Lighting, Inc.**, Corona, CA (US)

(**) Term: **14 Years**

(21) Appl. No.: **29/207,134**

(22) Filed: **Jun. 8, 2004**

(51) **LOC (8) Cl.** **23-04**

(52) **U.S. Cl.** **D23/411**

(58) **Field of Classification Search** D23/377,
D23/379, 385, 411, 413; 416/5, 210 R; 392/364
See application file for complete search history.

(56) **References Cited**

U.S. PATENT DOCUMENTS

D367,321 S * 2/1996 Holbrook D23/411
D382,955 S * 8/1997 Liu D23/411

OTHER PUBLICATIONS

Minka Aire 2004; pp. 16–17, Jan. 2004, Minka Lighting, Inc. USA.

* cited by examiner

Primary Examiner—Lisa Lichtenstein

(74) *Attorney, Agent, or Firm*—Baker & McKenzie LLP

(57) **CLAIM**

The ornamental design for the ceiling fan blade iron, as shown and described.

DESCRIPTION

FIG. 1 is a perspective view from below of a ceiling fan blade iron in accordance with my design, including the environment thereof;

FIG. 2 is an enlarged perspective view from below of a ceiling fan blade iron in accordance with my design;

FIG. 3 is an enlarged top plan view of the ceiling fan blade iron in accordance with my design;

FIG. 4 is an enlarged bottom plan view of the ceiling fan blade iron in accordance with my design;

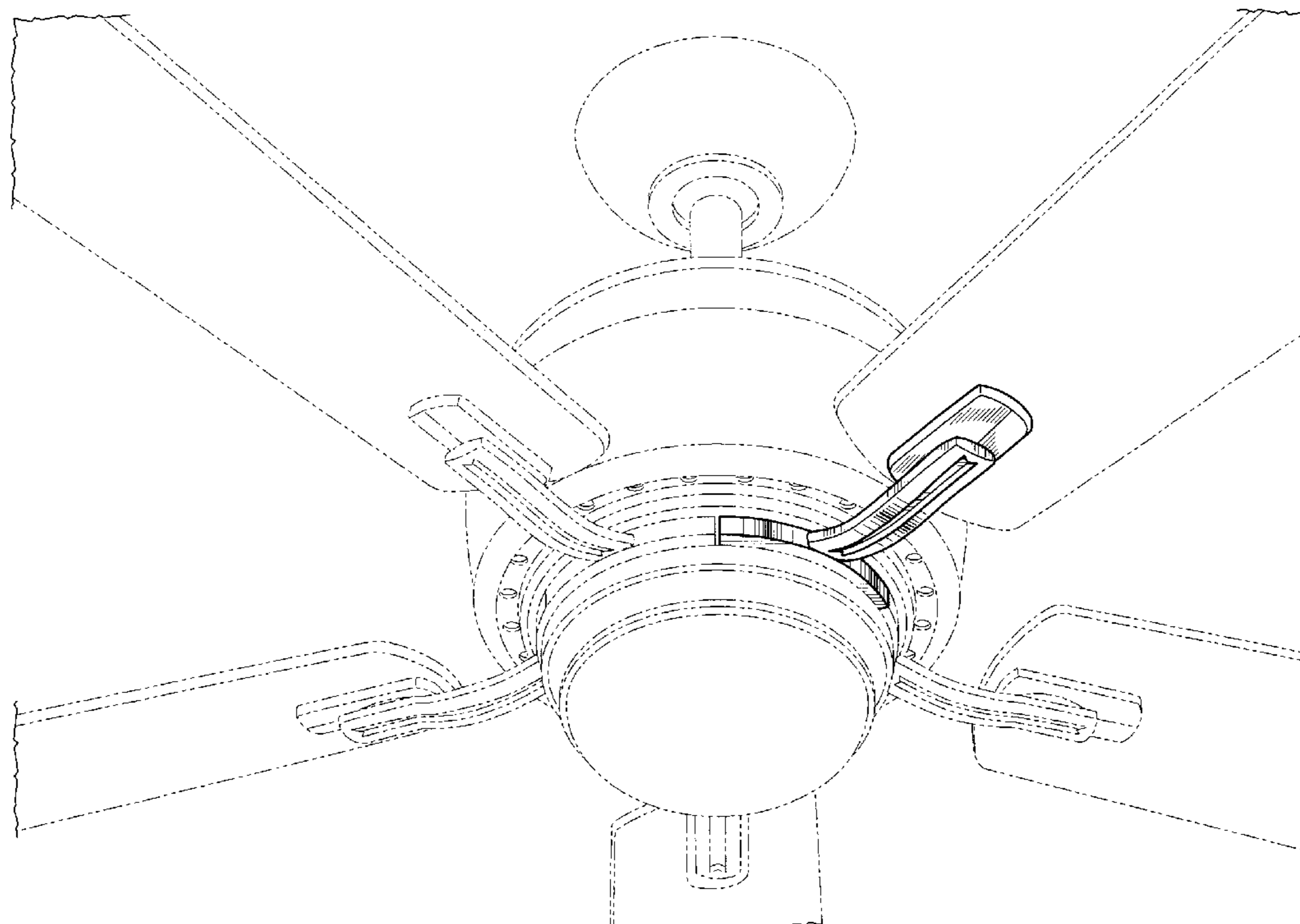
FIG. 5 is an enlarged proximal view of the ceiling fan blade iron in accordance with my design;

FIG. 6 is an enlarged distal view of the ceiling fan blade iron in accordance with my design; and,

FIG. 7 is an enlarged side elevation view of the ceiling fan blade iron in accordance with my design the opposite side being a mirror image of that shown.

The broken lines showing environmental structure are for illustrative purposes and form no part of the claimed design.

1 Claim, 3 Drawing Sheets



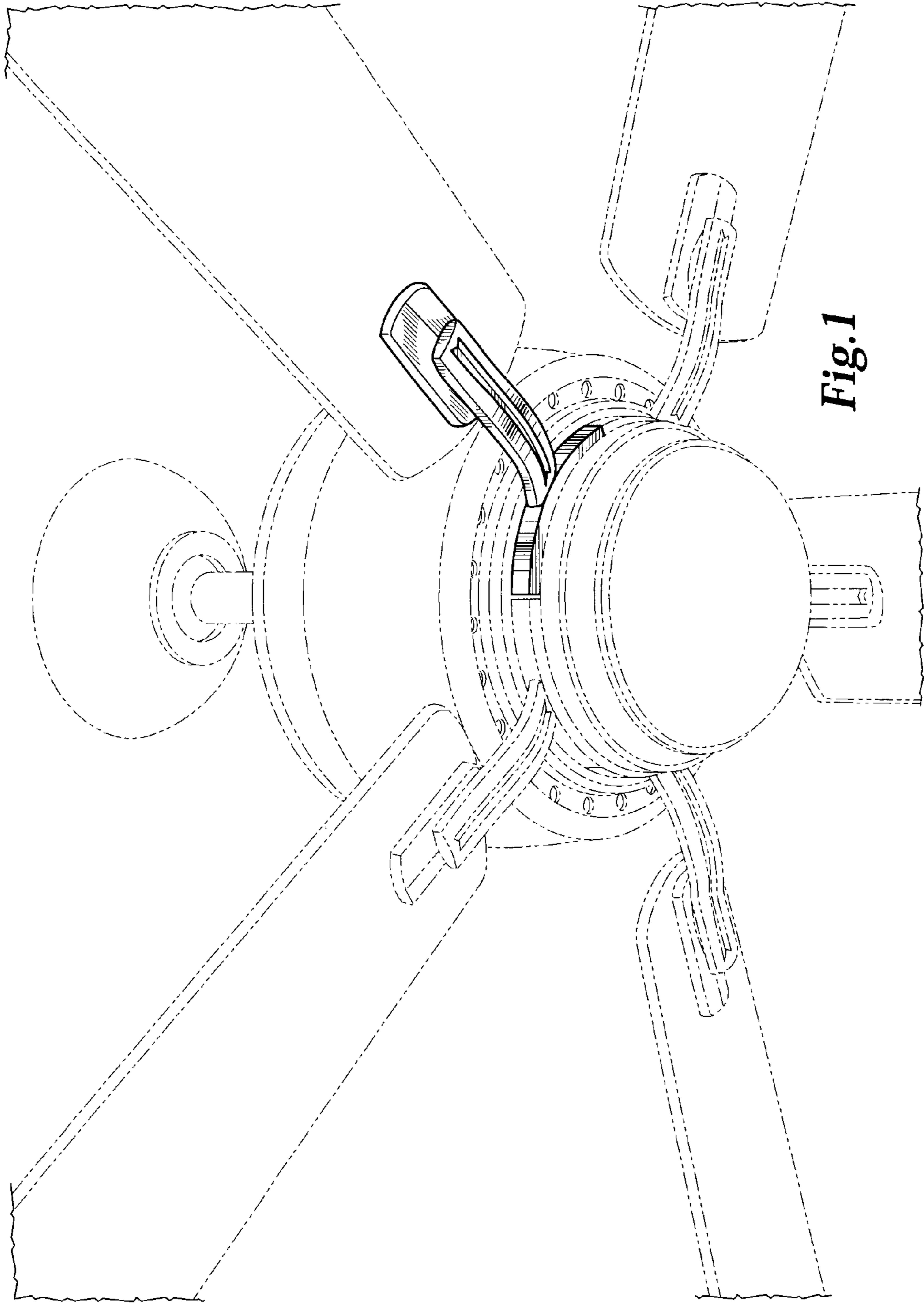


Fig. 1

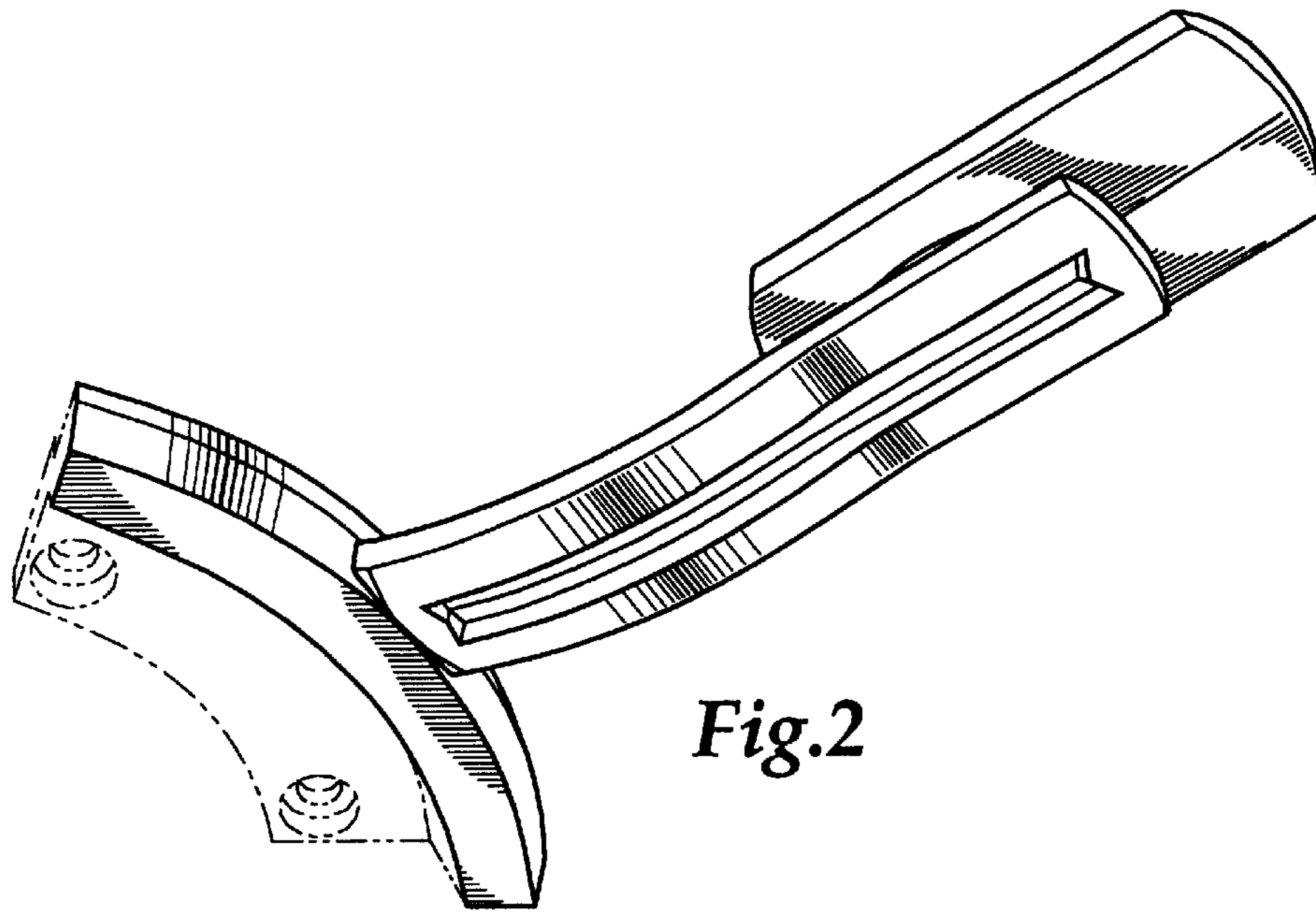


Fig.2

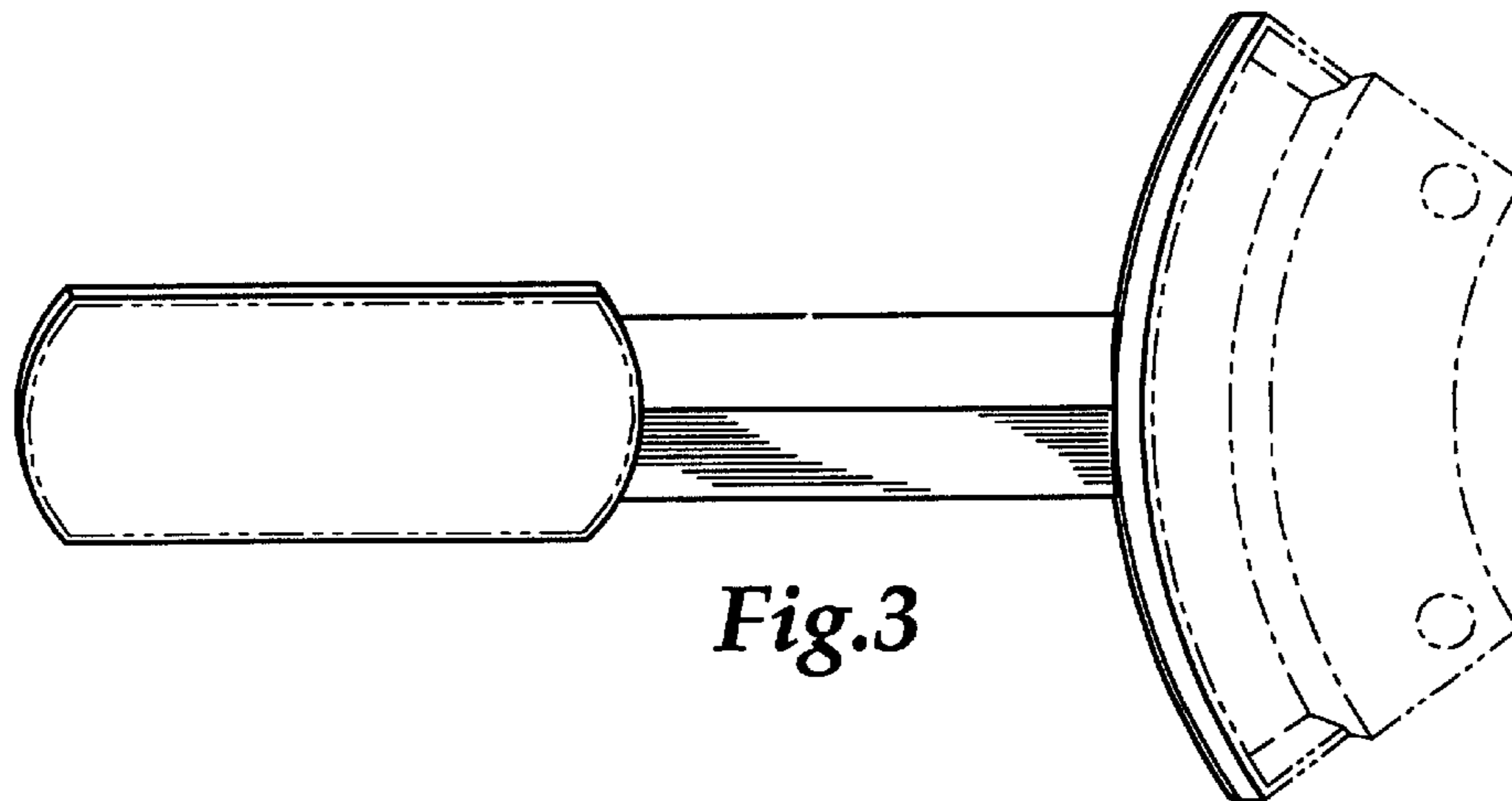


Fig.3

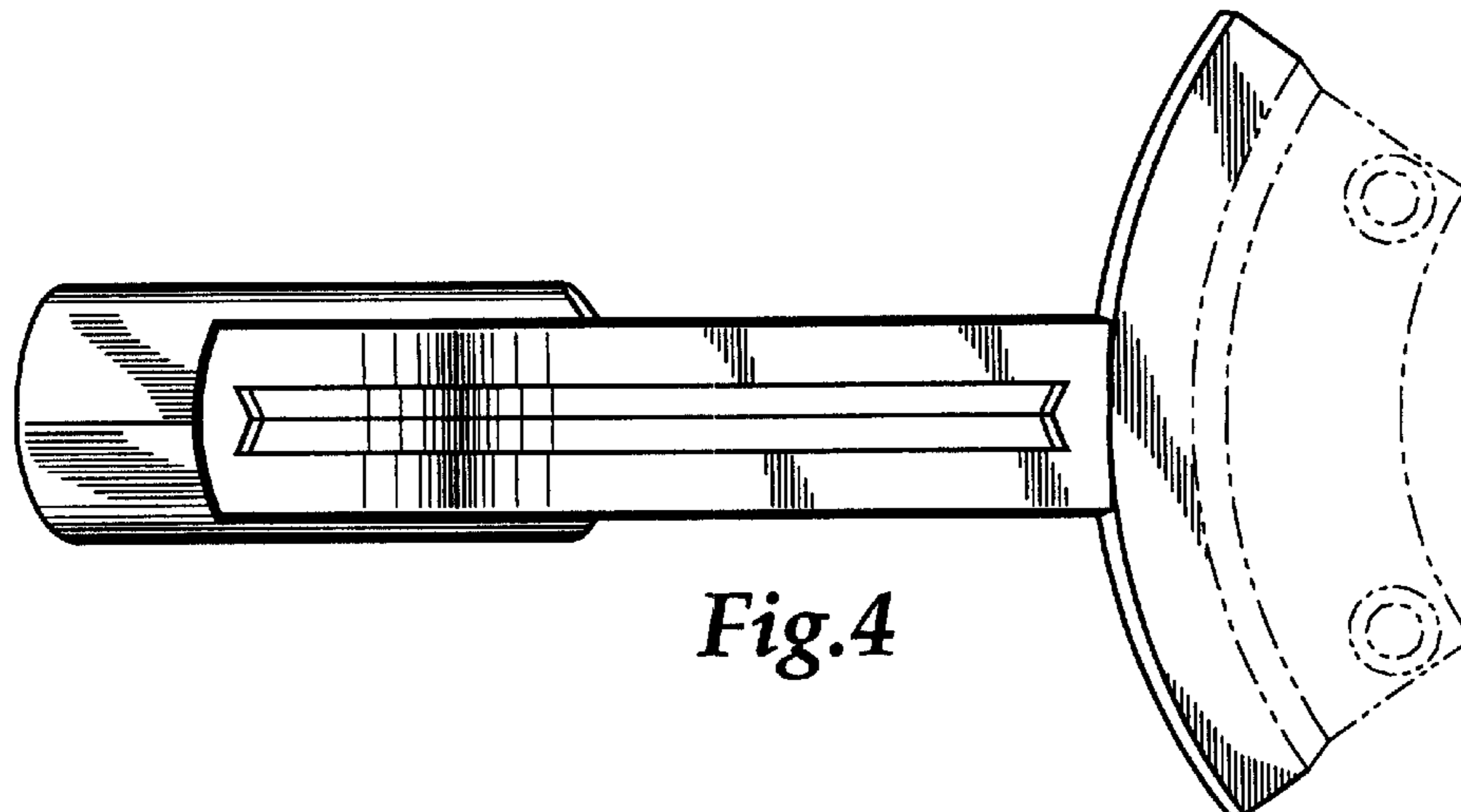


Fig.4

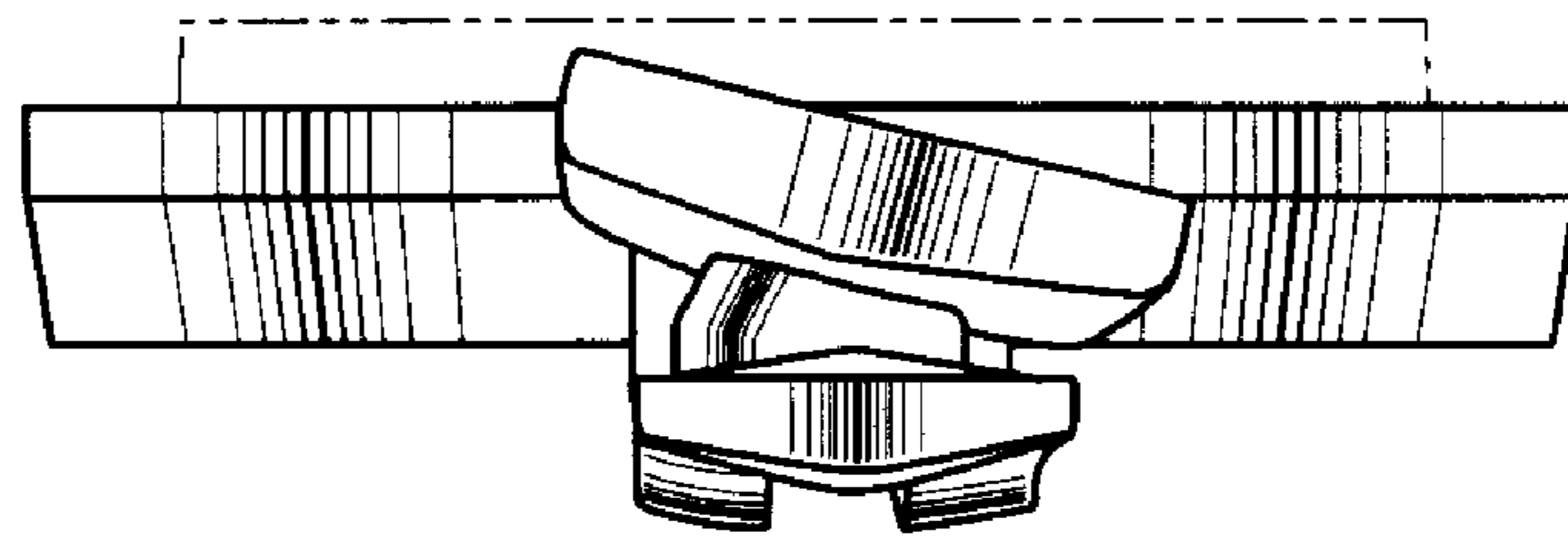


Fig. 5

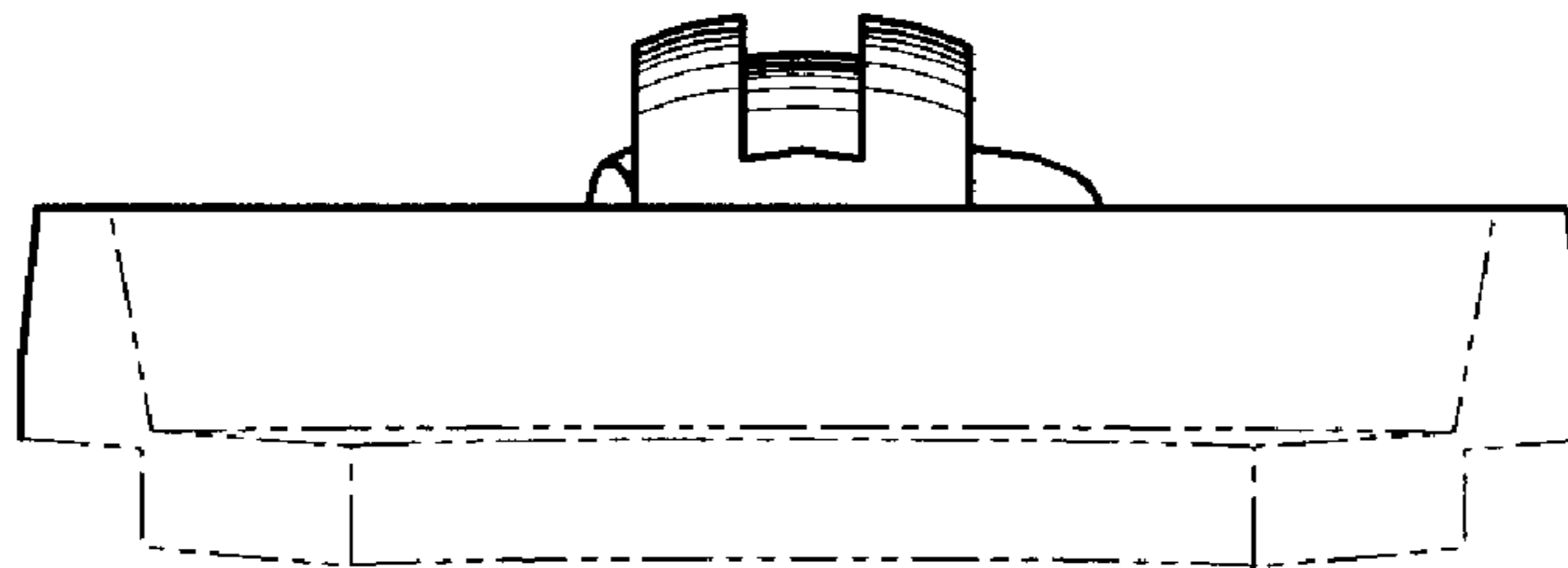


Fig. 6



Fig. 7