



US00D522128S

(12) **United States Design Patent**  
**Young**

(10) **Patent No.:** **US D522,128 S**

(45) **Date of Patent:** **\*\* May 30, 2006**

(54) **CEILING FAN HOUSING**

(75) Inventor: **Stanfield Young**, Garden Grove, CA  
(US)

(73) Assignee: **Minka Lighting, Inc.**, Corona, CA  
(US)

(\*\*) Term: **14 Years**

(21) Appl. No.: **29/203,969**

(22) Filed: **Apr. 22, 2004**

(51) **LOC (8) Cl.** ..... **23-04**

(52) **U.S. Cl.** ..... **D23/411**

(58) **Field of Classification Search** ..... D23/411,  
D23/377, 379, 385; 416/5  
See application file for complete search history.

(56) **References Cited**

**U.S. PATENT DOCUMENTS**

D393,902 S \* 4/1998 Pickett ..... D23/377  
D435,289 S \* 12/2000 Liu ..... D23/411

**OTHER PUBLICATIONS**

Hampton Bay Ceiling Fans; vol. 1; Spring/Summer 2004; p.  
38, Mar. 2004, Home Depot, Inc., U.S.A.

Minka Aire 2004; pp. 52–53, Jan. 2004, Minka Lighting,  
Inc. USA.

Lamps Plus Internet Catalog; Casablanca Ventura II, Model  
# 89125–57276; www.lampplus.com, May 14, 2004, Casa-  
blanca Fans.

Casablanca Internet Catalog; Avalon Blade System; Model  
# B31B; www.casablancafanco.com, May 14, 2004, Casa-  
blanca Fans.

Casablanca Internet Catalog; Malibu Star; Model # 23B002;  
www.casablancafanco.com, May 14, 2004, Casablanca  
Fans.

Monte Carlo Internet Catalog; Vera Cruz; Model # VC5B06,  
5VC0P, 5VC0C, 5VCWH, 5VCFB, May 25, 2004, Monte  
Carlo Fans.

Fanimation Internet Catalog; The Islander; Model #ISC4;  
printed from www.fansworkoutlet.com on Aug. 19, 2005.

Emerson Internet Catalog; Model #EMB30LH; printed from  
www.fansworkoutlet.com on Aug. 19, 2005.

\* cited by examiner

*Primary Examiner*—Lisa Lichtenstein

(74) *Attorney, Agent, or Firm*—Baker & McKenzie LLP

(57) **CLAIM**

The ornamental design for the ceiling fan housing, as shown  
and described.

**DESCRIPTION**

FIG. 1 is a side elevation view of a ceiling fan housing in  
accordance with my design, including the environment  
thereof;

FIG. 2 is an enlarged perspective view from below of the  
ceiling fan housing in accordance with my design, including  
the environment thereof;

FIG. 3 is an enlarged front elevation view of the ceiling fan  
housing in accordance with my design, including the envi-  
ronment thereof;

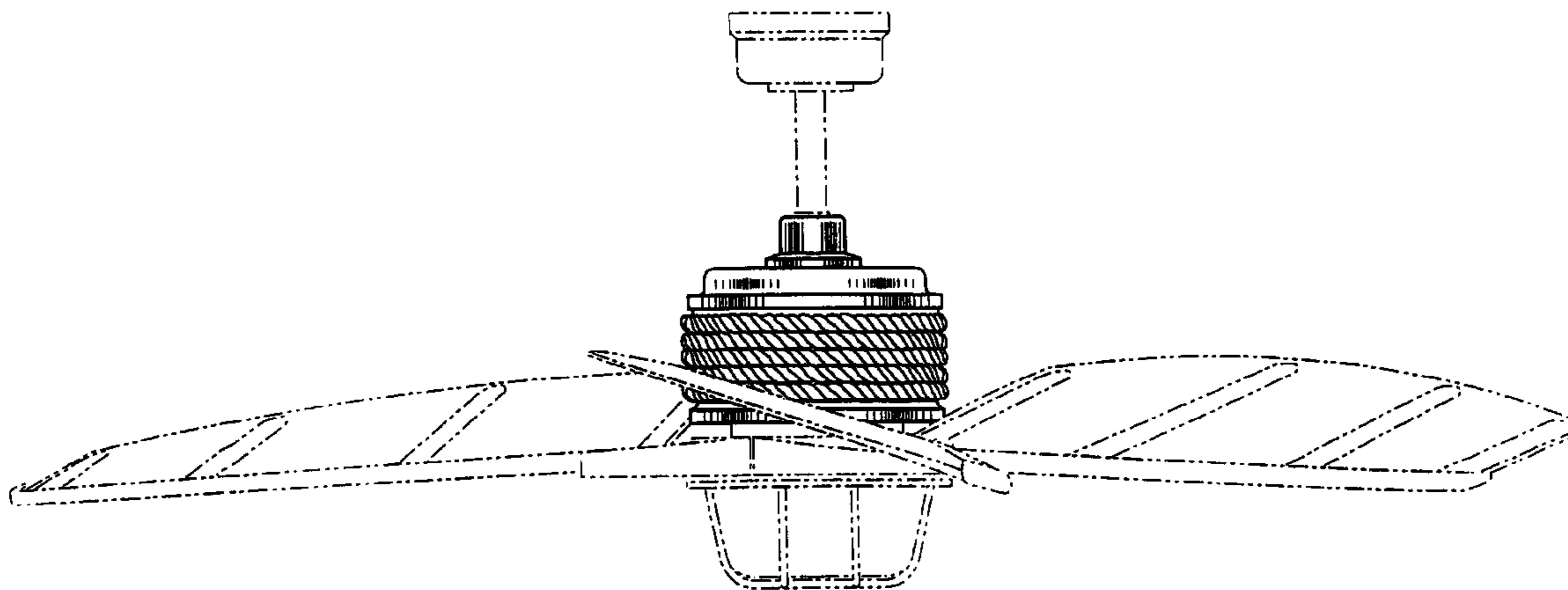
FIG. 4 is a reduced top plan view of the ceiling fan housing  
in accordance with my design, including the environment  
thereof; and,

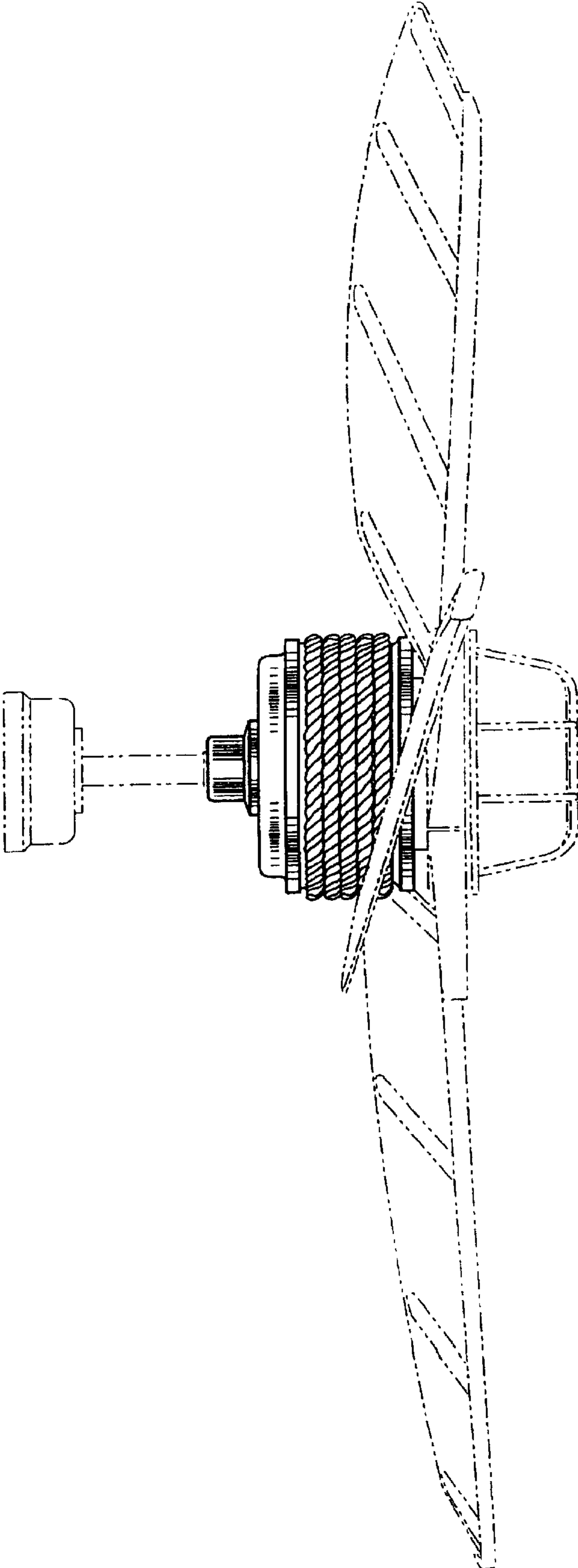
FIG. 5 is a reduced bottom plan view of ceiling fan housing  
in accordance with my design, including the environmental  
thereof.

The broken lines showing environmental structure are for  
illustrative purposes and form no part of the claimed design.  
In FIGS. 2 and 3, the fan blades are shown broken away to  
indicate indeterminate length.

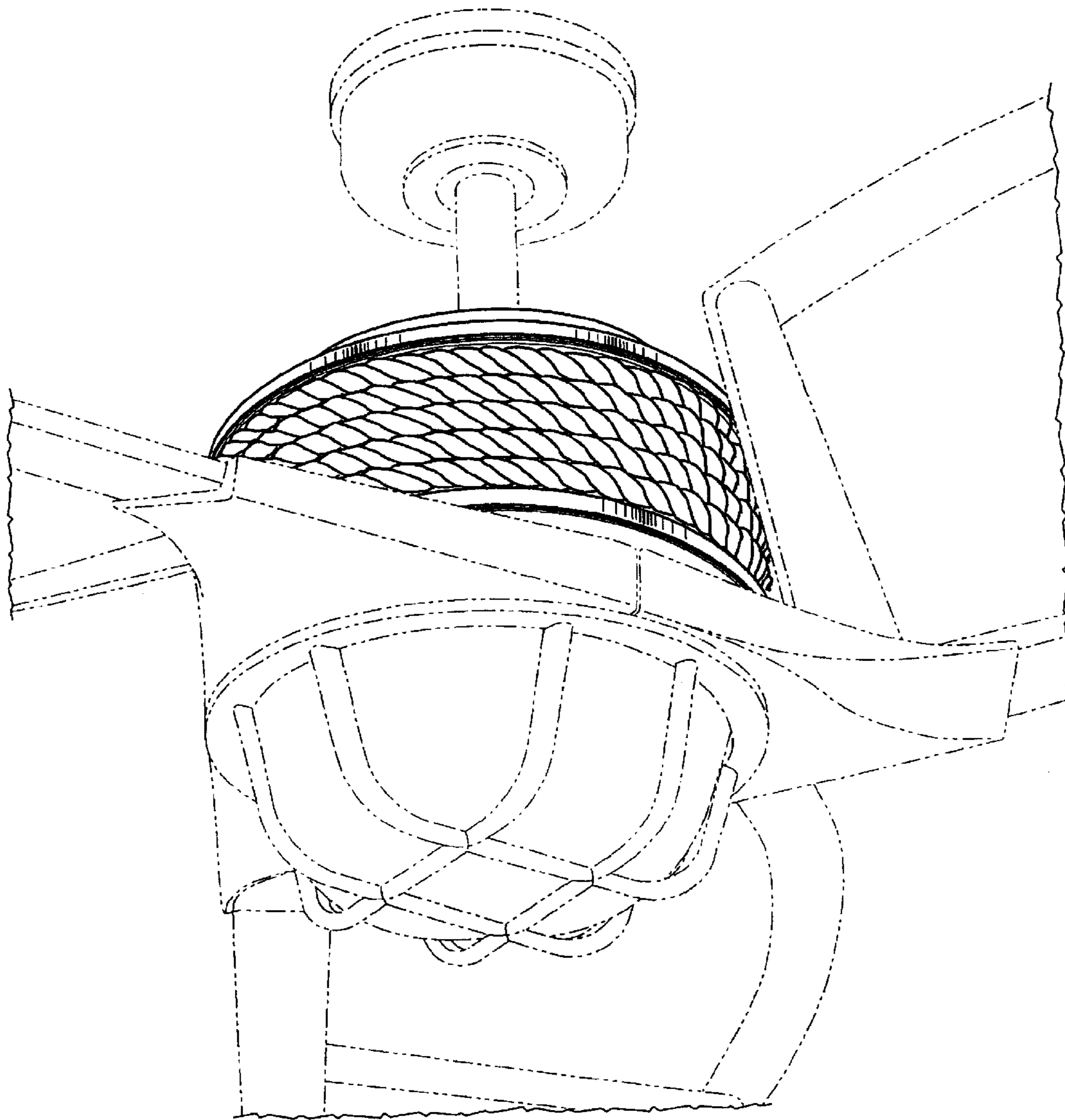
All the sides are substantially identical except for the  
position of the fan blades.

**1 Claim, 5 Drawing Sheets**

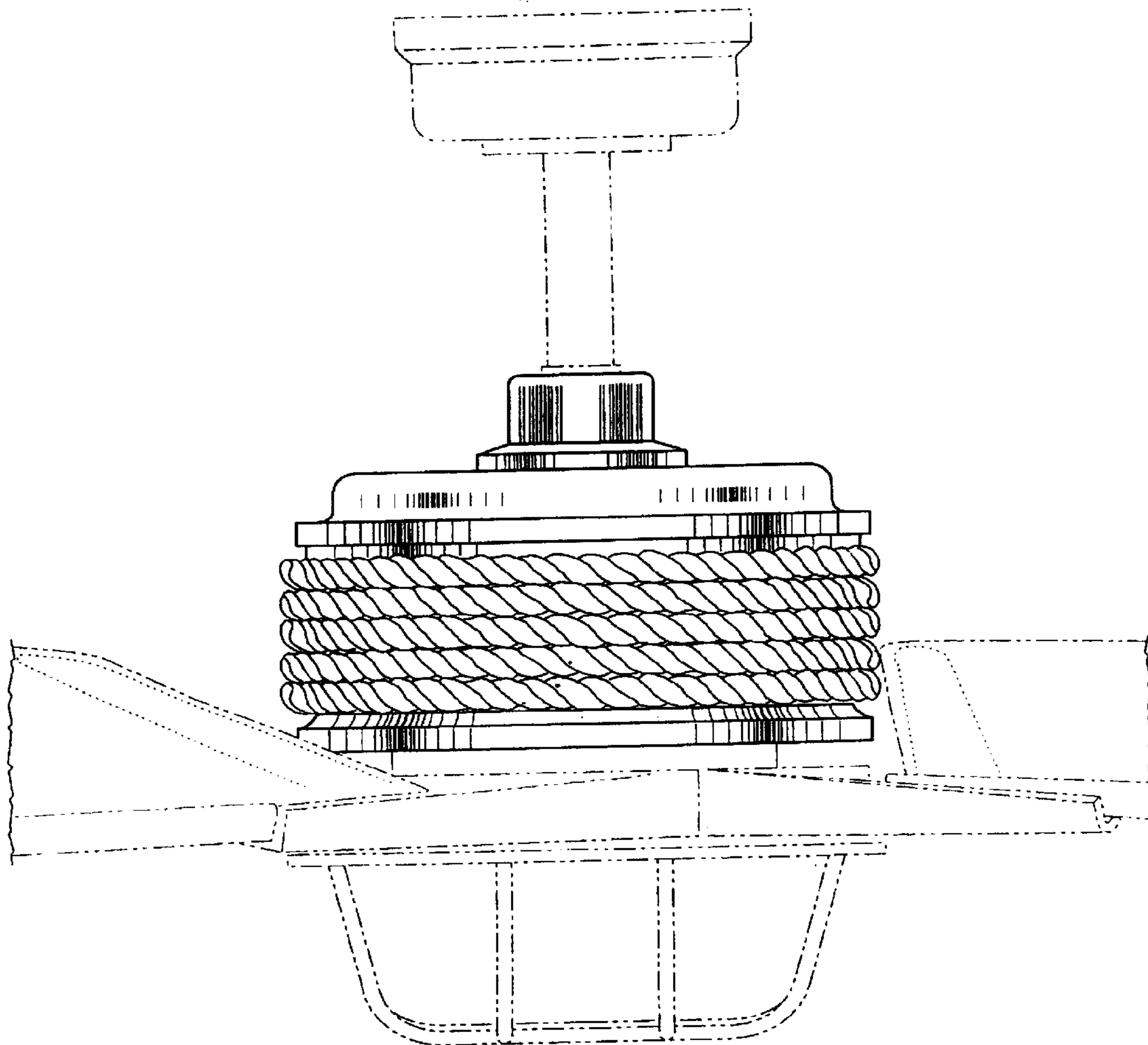




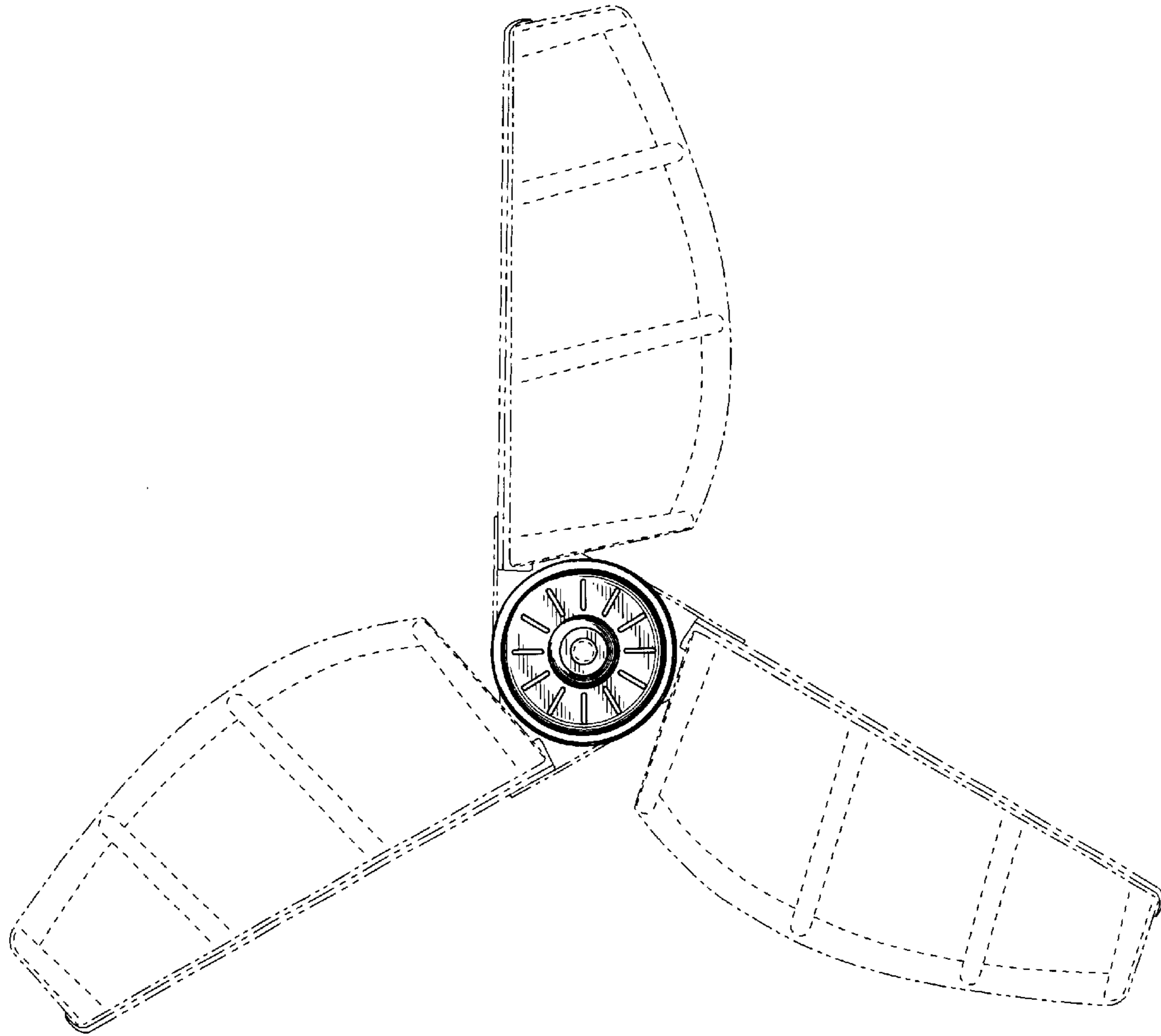
**Fig. 1**



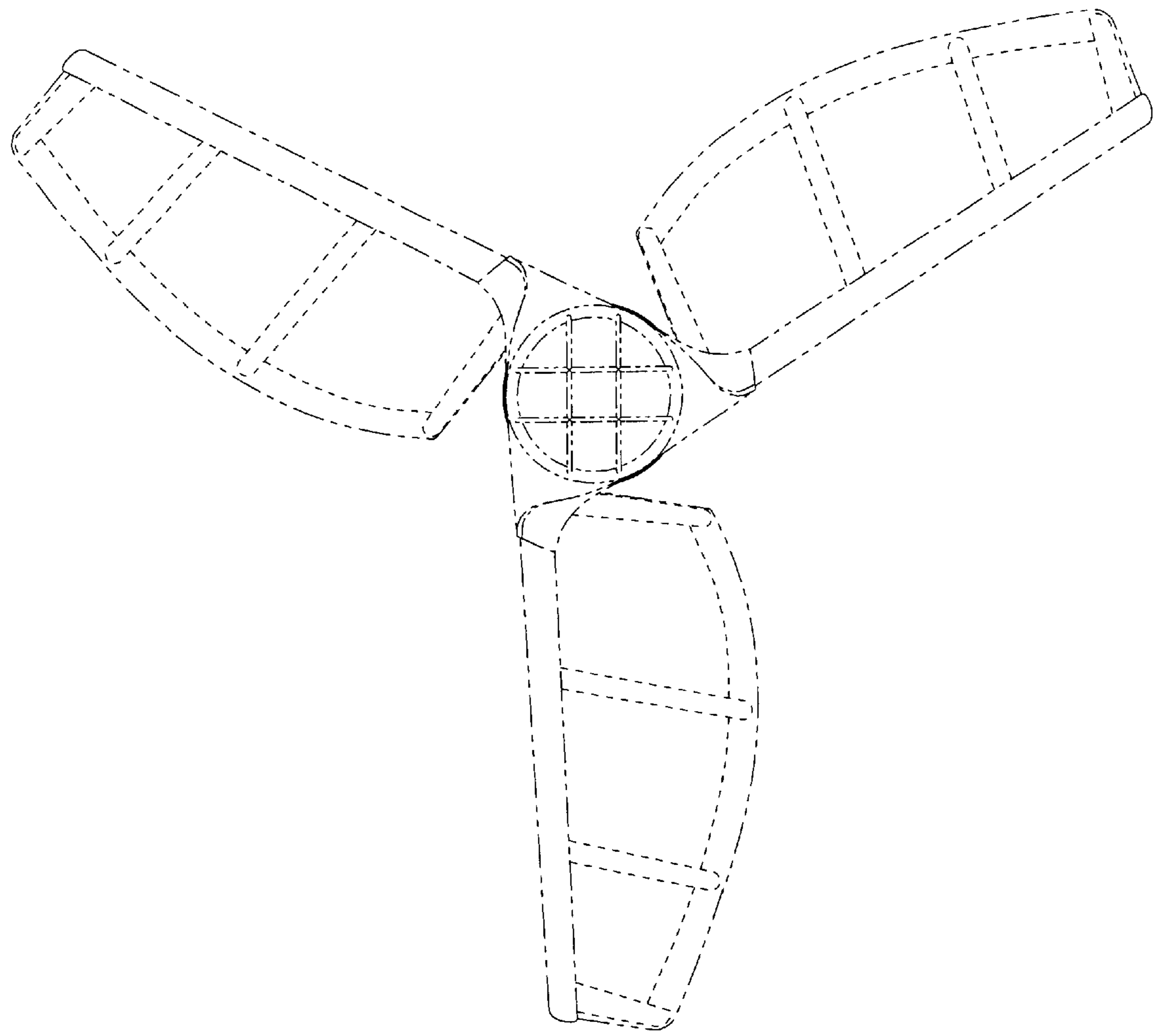
*Fig.2*



*Fig.3*



*Fig.4*



*Fig.5*