



US00D522123S

(12) **United States Design Patent**  
**Tinen**

(10) **Patent No.:** **US D522,123 S**

(45) **Date of Patent:** **\*\* May 30, 2006**

(54) **CEILING FAN HOUSING**

(75) Inventor: **William J. Tinen**, Trabuco Canyon, CA (US)

(73) Assignee: **Minka Lighting, Inc.**, Corona, CA (US)

(\*\*) Term: **14 Years**

(21) Appl. No.: **29/215,859**

(22) Filed: **Oct. 26, 2004**

(51) **LOC (8) Cl.** ..... **23-04**

(52) **U.S. Cl.** ..... **D23/377; D23/379**

(58) **Field of Classification Search** ..... D23/379,  
D23/377, 385, 411, 413; 416/5; D26/59,  
D26/72, 81-88; 362/96

See application file for complete search history.

(56) **References Cited**

**U.S. PATENT DOCUMENTS**

D481,453 S 10/2003 Dye  
D485,348 S \* 1/2004 Stauffer ..... D23/411

**OTHER PUBLICATIONS**

Casablanca Internet Catalog; The Wilderness, Model # 89U89M; printed from www.ceilingfan.com; Aug. 30, 2004; The Wilderness Model; Casablanca Fan Company. 2003 New Products January Update; Craftmade International, Inc.; Jan. 2003; Frontier Model; p. 2.

The Art of Air Management—MinkaAire 2004; Minka Lighting, Inc., U.S.A.; Jan. 2004; Taos Model; p. 32.

Casablanca Fan Company Internet Catalog, The Wilderness Collection, printed from www.casablancafanco.com on Sep. 6, 2005.

\* cited by examiner

*Primary Examiner*—Lisa Lichtenstein

(74) *Attorney, Agent, or Firm*—Baker & McKenzie LLP

(57) **CLAIM**

The ornamental design for a ceiling fan housing, as shown and described.

**DESCRIPTION**

FIG. 1 is a perspective view from below of a ceiling fan housing in accordance with my design shown in its environment;

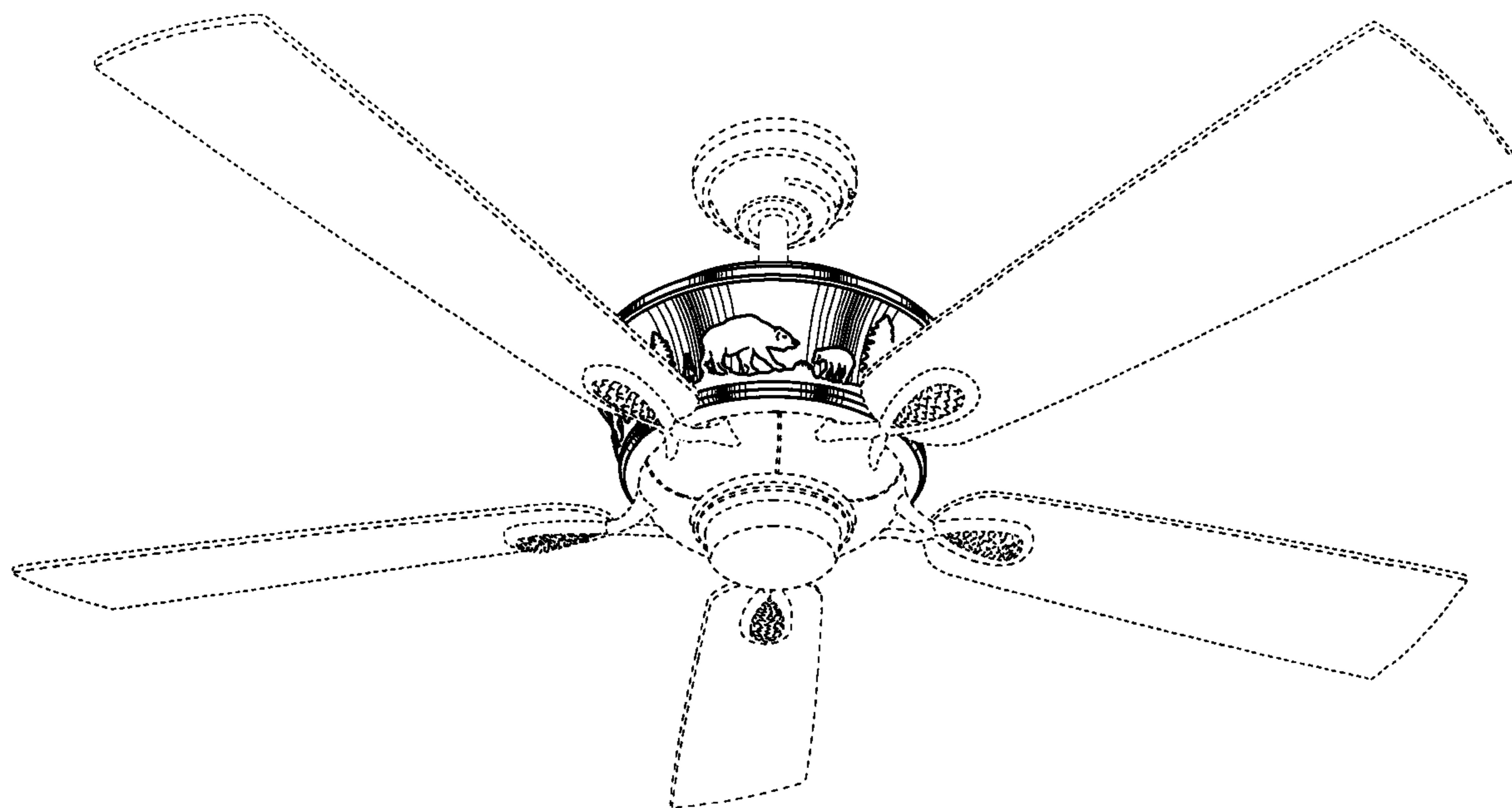
FIG. 2 is an enlarged perspective view from below of the ceiling fan housing in accordance with my design shown in its environment;

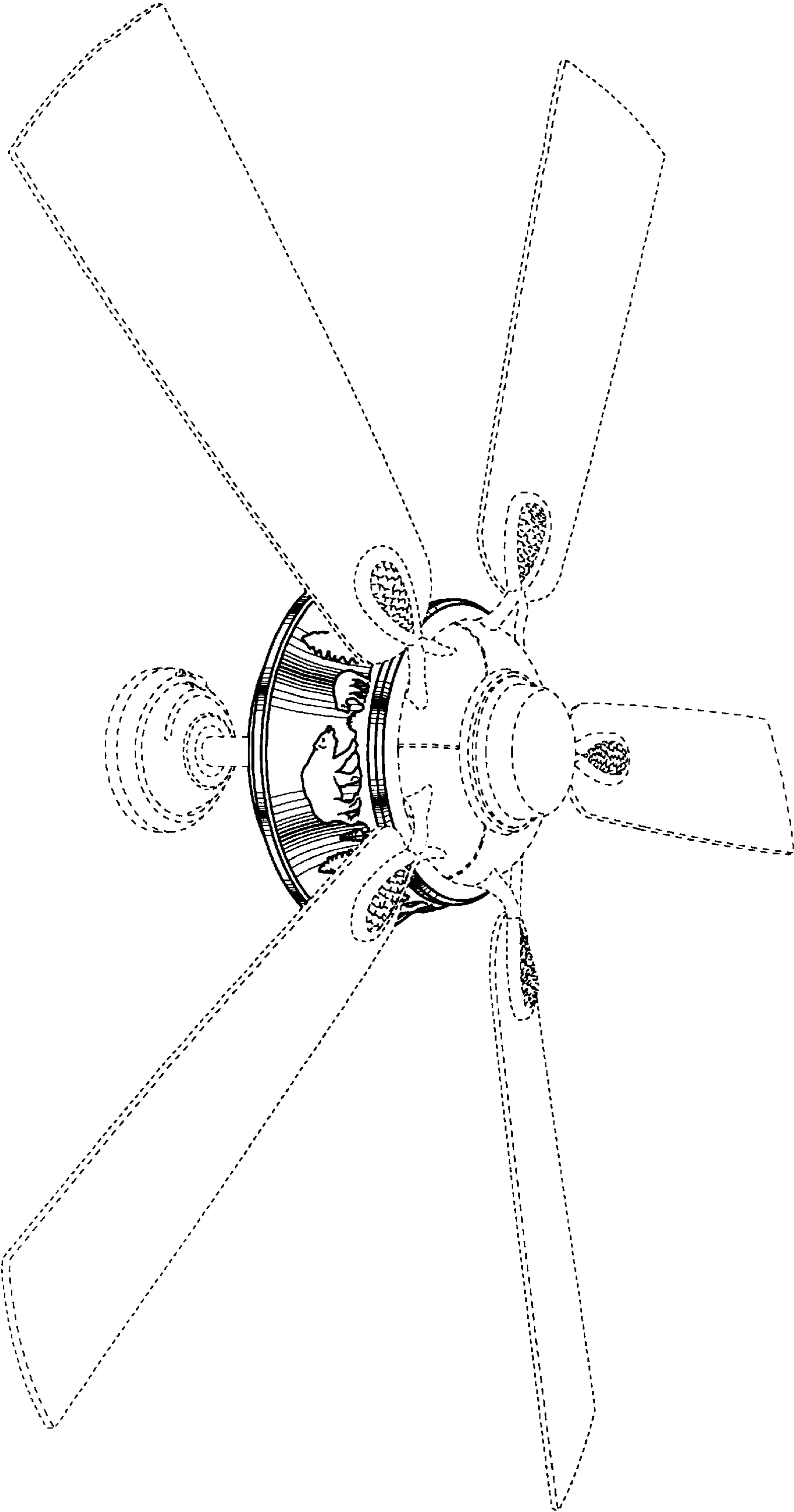
FIG. 3 is a greatly enlarged front elevation view of the ceiling fan housing in accordance with my design shown in its environment; and,

FIG. 4 is a greatly enlarged side elevation view of the ceiling fan housing in accordance with my design shown in its environment.

The broken lines showing environmental structure are for illustrative purposes and form no part of the claimed design.

**1 Claim, 4 Drawing Sheets**





*Fig. 1*

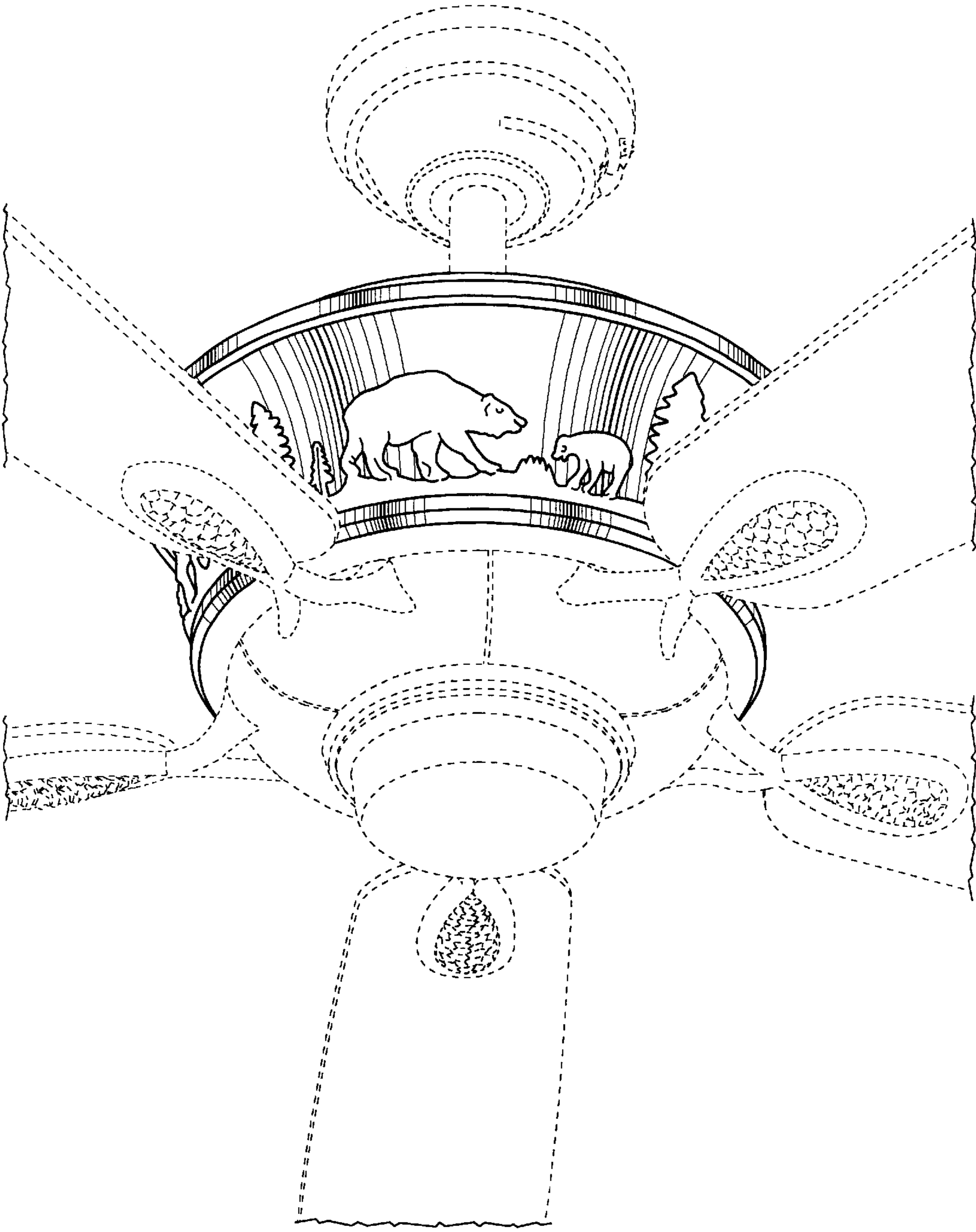


Fig.2

