



US00D522115S

(12) **United States Design Patent**  
**Chen**

(10) **Patent No.:** **US D522,115 S**

(45) **Date of Patent:** **\*\* \*May 30, 2006**

(54) **AIR PURIFIER**

6,852,151 B1 \* 2/2005 Bloomer ..... 96/386  
D503,787 S \* 4/2005 Koike ..... D23/364

(75) Inventor: **Xiao Fei Chen**, Shanghai (CN)

\* cited by examiner

(73) Assignee: **Shanghai Neo Tec Electron Co., Ltd.**,  
Da An (CN)

*Primary Examiner*—Robin Webster

(74) *Attorney, Agent, or Firm*—Brinks Hofer Gilson &  
Lione

(\* ) Notice: This patent is subject to a terminal dis-  
claimer.

(57) **CLAIM**

(\*\* ) Term: **14 Years**

I claim the ornamental design for an air purifier, as shown  
and described.

(21) Appl. No.: **29/213,187**

**DESCRIPTION**

(22) Filed: **Sep. 14, 2004**

FIG. 1 is a perspective view of an air purifier of the present  
invention;

(51) **LOC (8) Cl.** ..... **23-04**

FIG. 2 is a front view thereof;

(52) **U.S. Cl.** ..... **D23/364**

FIG. 3 is a top view thereof;

(58) **Field of Classification Search** ..... D23/355,  
D23/364, 365; 55/467, 471, 472

FIG. 4 is a right side view thereof, wherein the left side view  
is a mirror image of the right side view with respect to plane  
A that extends perpendicular to the page of FIG. 4;

See application file for complete search history.

FIG. 5 is a back view thereof; and,

(56) **References Cited**

FIG. 6 is a bottom view thereof.

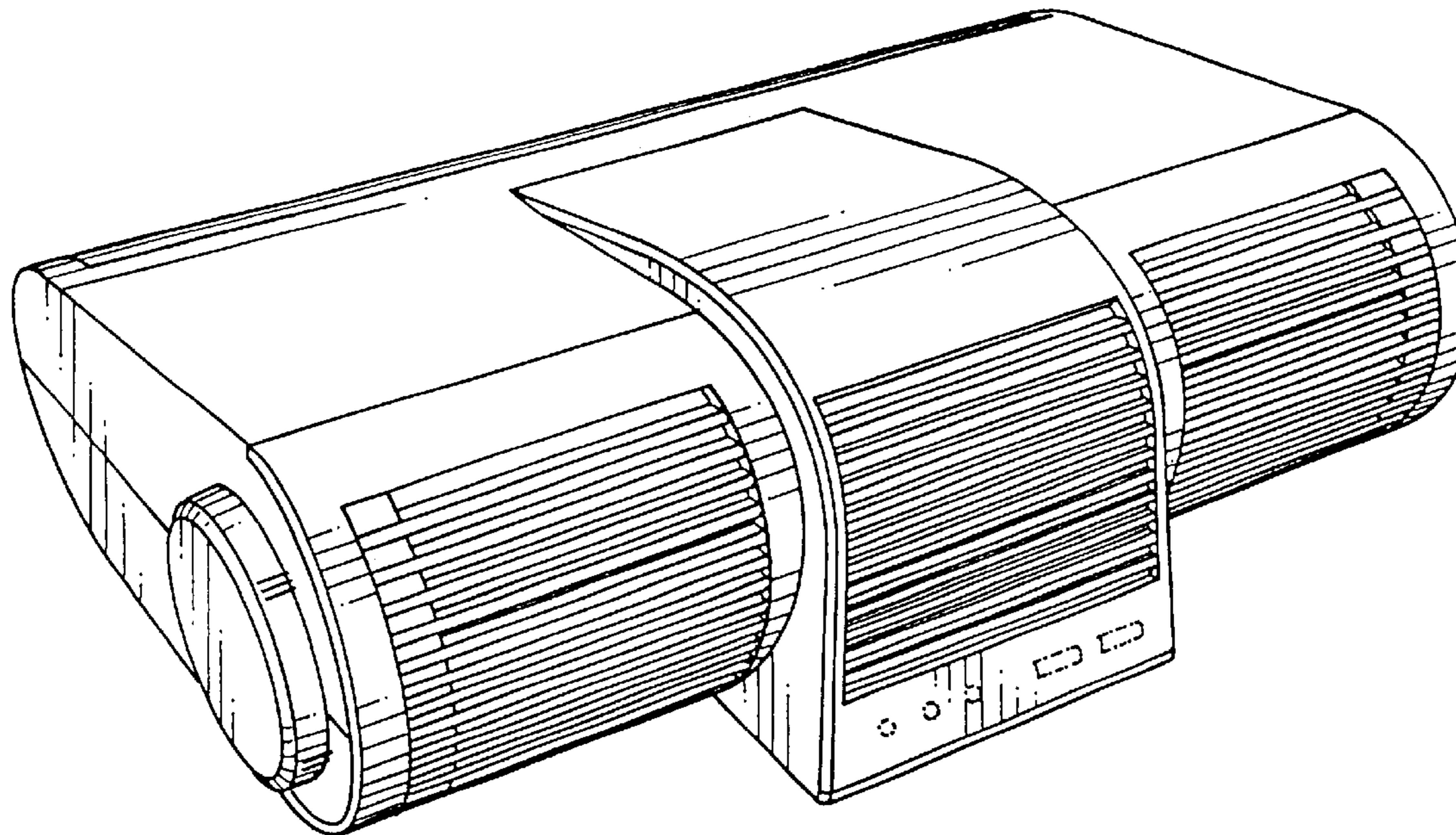
**U.S. PATENT DOCUMENTS**

Any broken lines in the drawings are for illustrative pur-  
poses only and form no part of the claimed design.

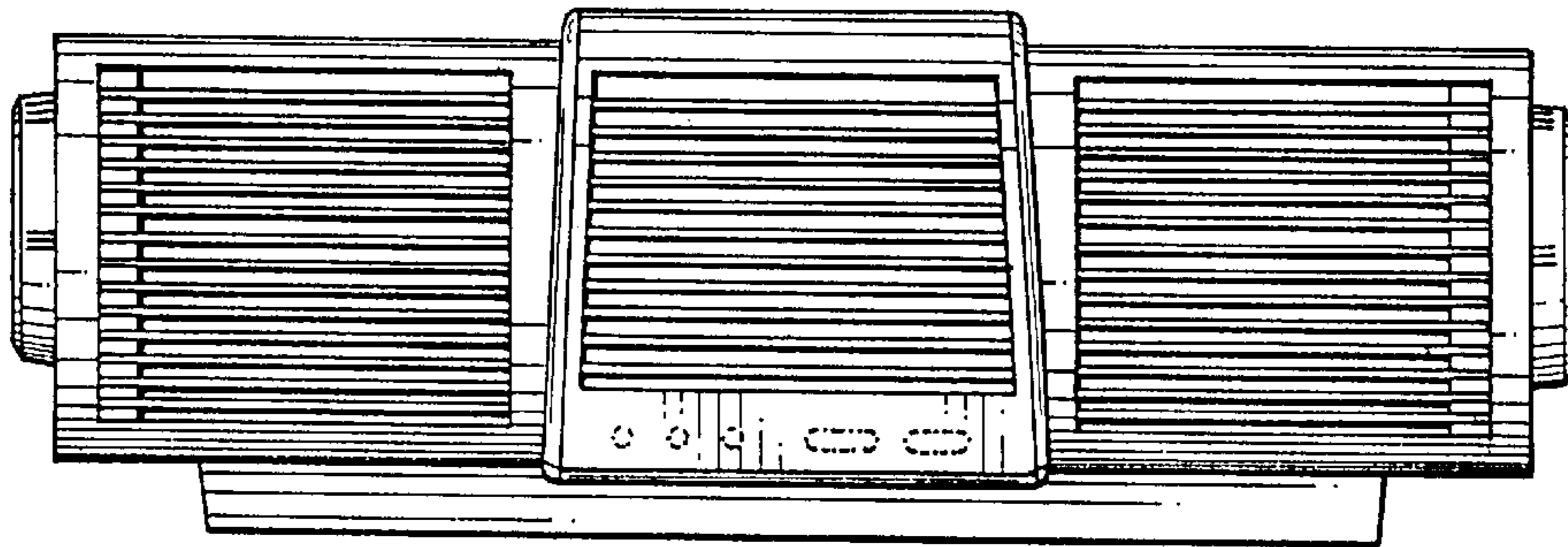
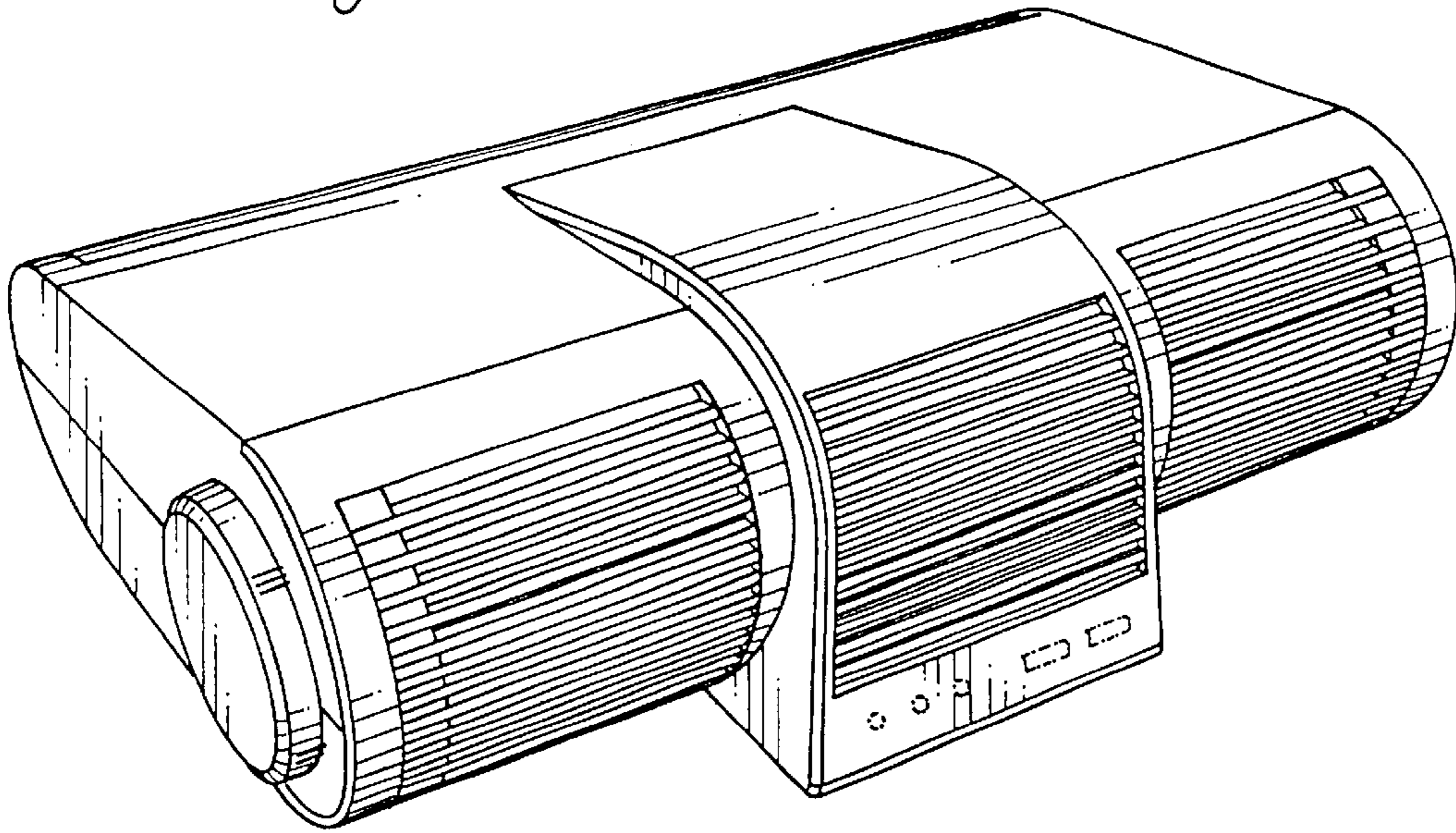
D492,759 S \* 7/2004 Yoshida ..... D23/364

D496,991 S \* 10/2004 Yang ..... D23/355

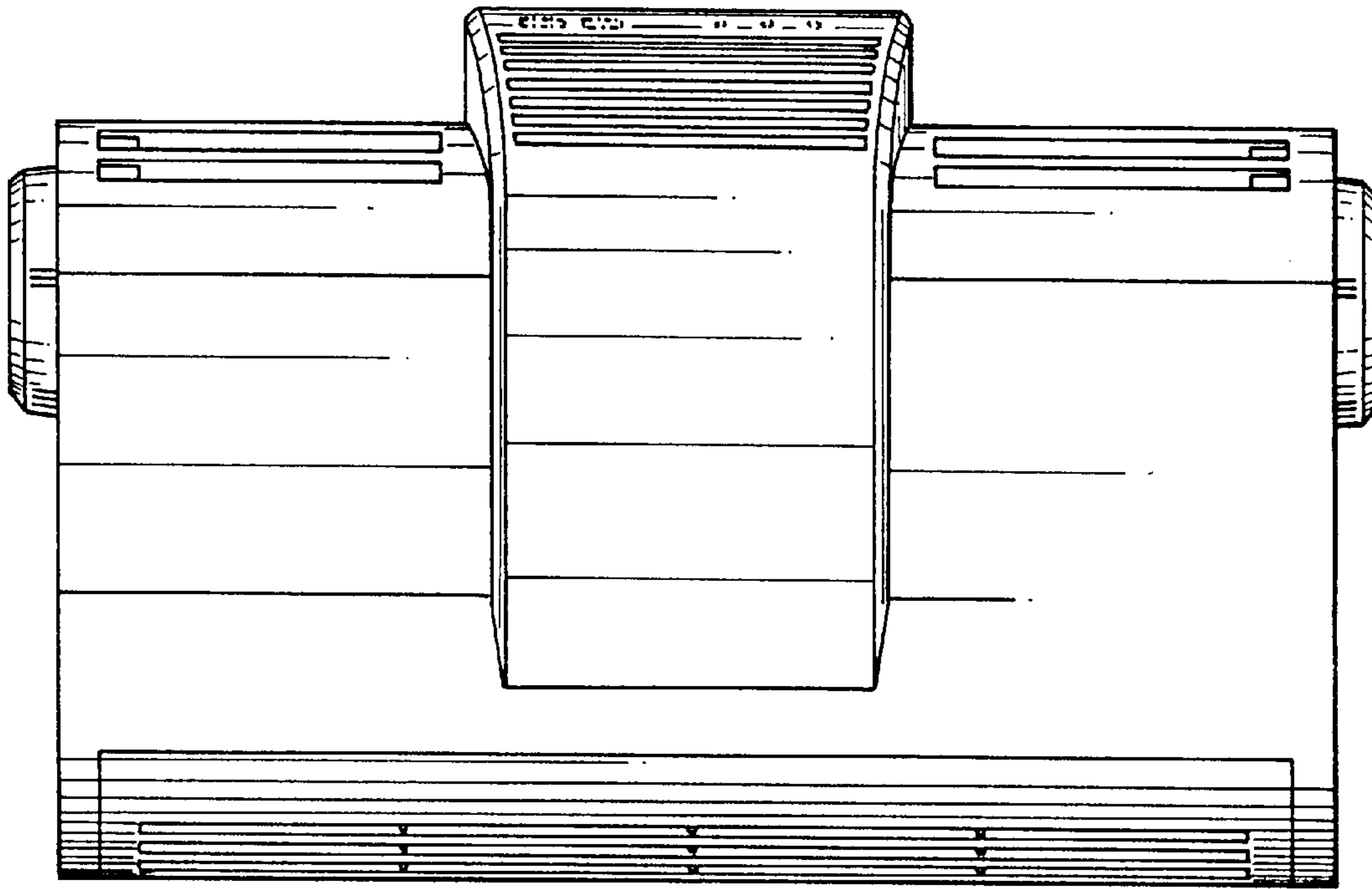
**1 Claim, 3 Drawing Sheets**



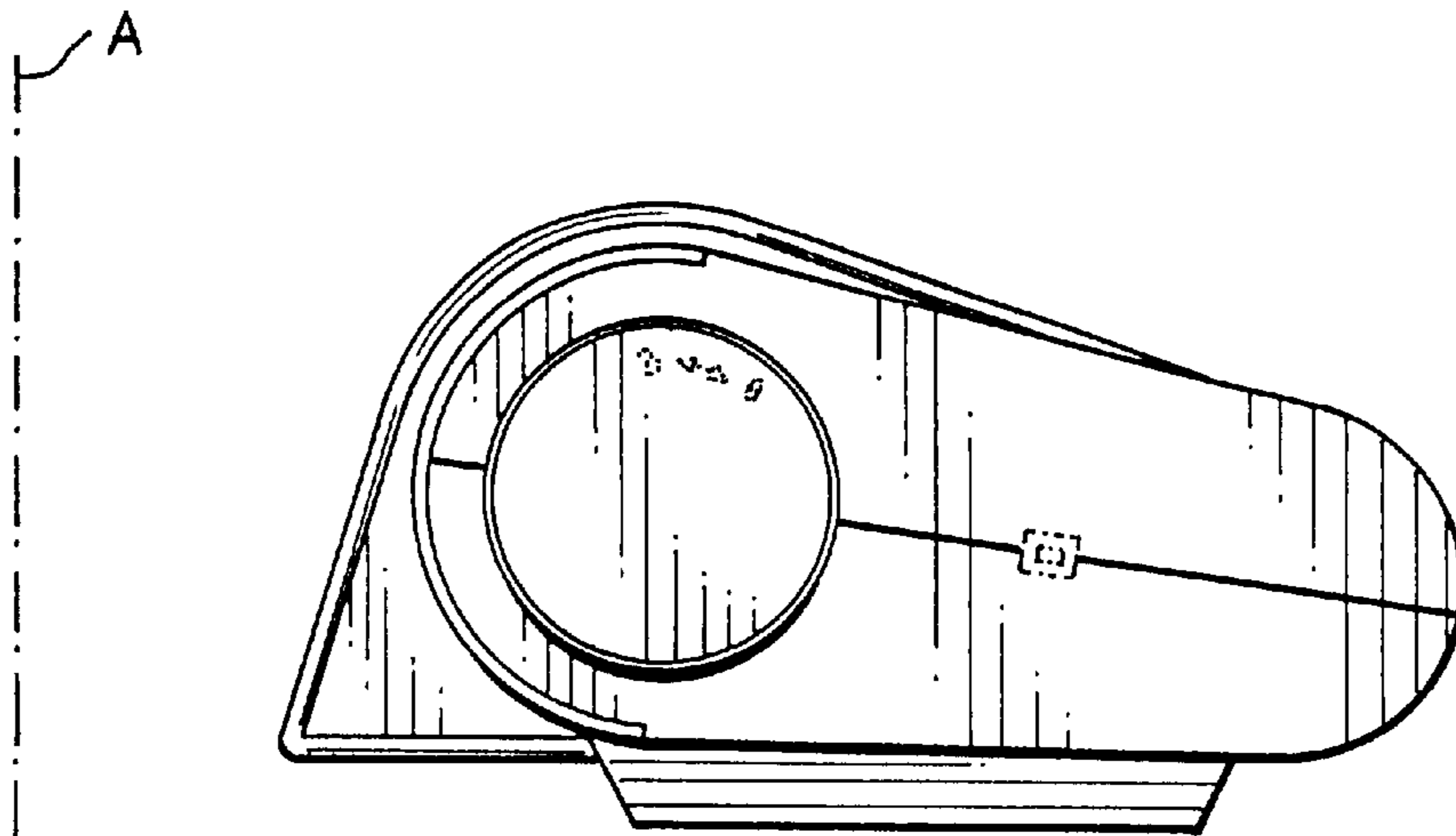
*Fig. 1*



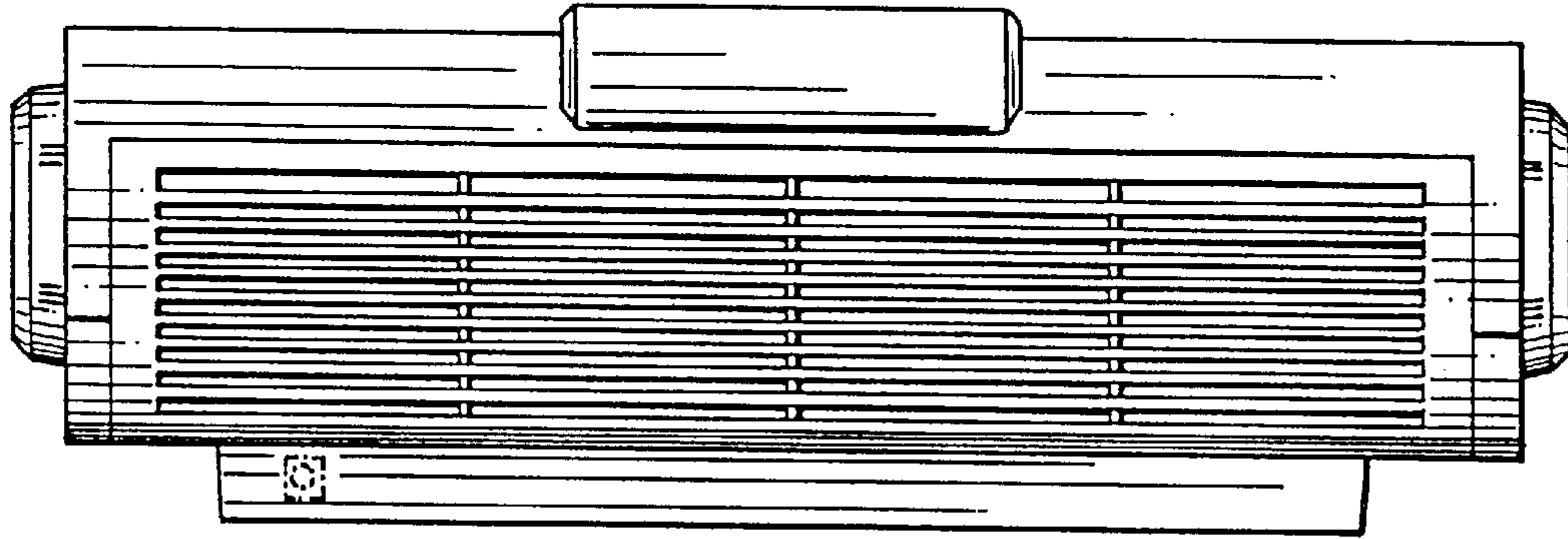
*Fig. 2*



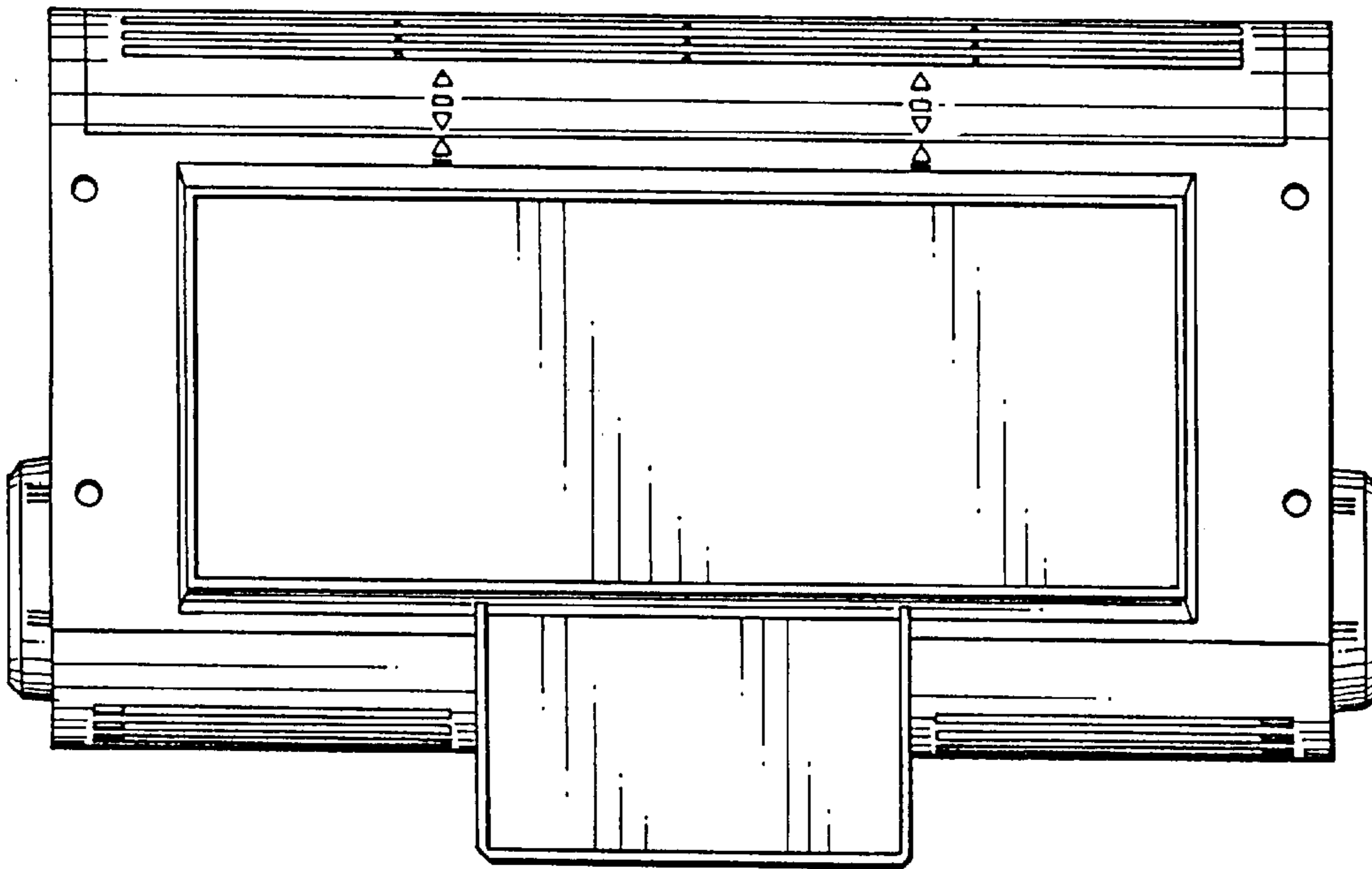
*Fig. 3*



*Fig. 4*



*Fig. 5*



*Fig. 6*