



US00D522114S

(12) **United States Design Patent**
Otaki

(10) **Patent No.:** **US D522,114 S**
(45) **Date of Patent:** **** May 30, 2006**

(54) **AIR DRYER**

D503,785 S 4/2005 Otaki
D503,786 S 4/2005 Otaki
D503,971 S 4/2005 Otaki

(75) Inventor: **Satoshi Otaki**, Tsukuba (JP)

(73) Assignee: **SMS Kabushiki Kaisha**, Tokyo (JP)

(**) Term: **14 Years**

(21) Appl. No.: **29/224,345**

(22) Filed: **Feb. 28, 2005**

(30) **Foreign Application Priority Data**

Sep. 1, 2004 (JP) 2004-026493

(51) **LOC (8) Cl.** **23-04**

(52) **U.S. Cl.** **D23/355; D15/79**

(58) **Field of Classification Search** D23/355,
D23/364, 365, 359; 55/338, 472; 95/90, 288;
96/108

See application file for complete search history.

(56) **References Cited**

U.S. PATENT DOCUMENTS

D258,686 S * 3/1981 Johnson D23/364
5,443,624 A * 8/1995 Claesson 95/113
D395,703 S * 6/1998 Jane et al. D23/364
D416,614 S * 11/1999 Bellil et al. D23/364
D440,644 S * 4/2001 Potnis et al. D23/359

FOREIGN PATENT DOCUMENTS

JP 1207876 S 6/2004

* cited by examiner

Primary Examiner—Robin Webster

(74) *Attorney, Agent, or Firm*—Frishauf, Holtz, Goodman & Chick, P.C.

(57) **CLAIM**

The ornamental design for a air dryer, as shown.

DESCRIPTION

FIG. 1 is a top, front and right-side perspective view of a air dryer showing my new design;
FIG. 2 is a top, rear and left-side perspective view of a air dryer showing my new design;
FIG. 3 is a front view thereof;
FIG. 4 is a rear view thereof;
FIG. 5 is a top plan view thereof;
FIG. 6 is a bottom plan view thereof;
FIG. 7 is a right side view thereof; and,
FIG. 8 is a left side view thereof.

1 Claim, 6 Drawing Sheets

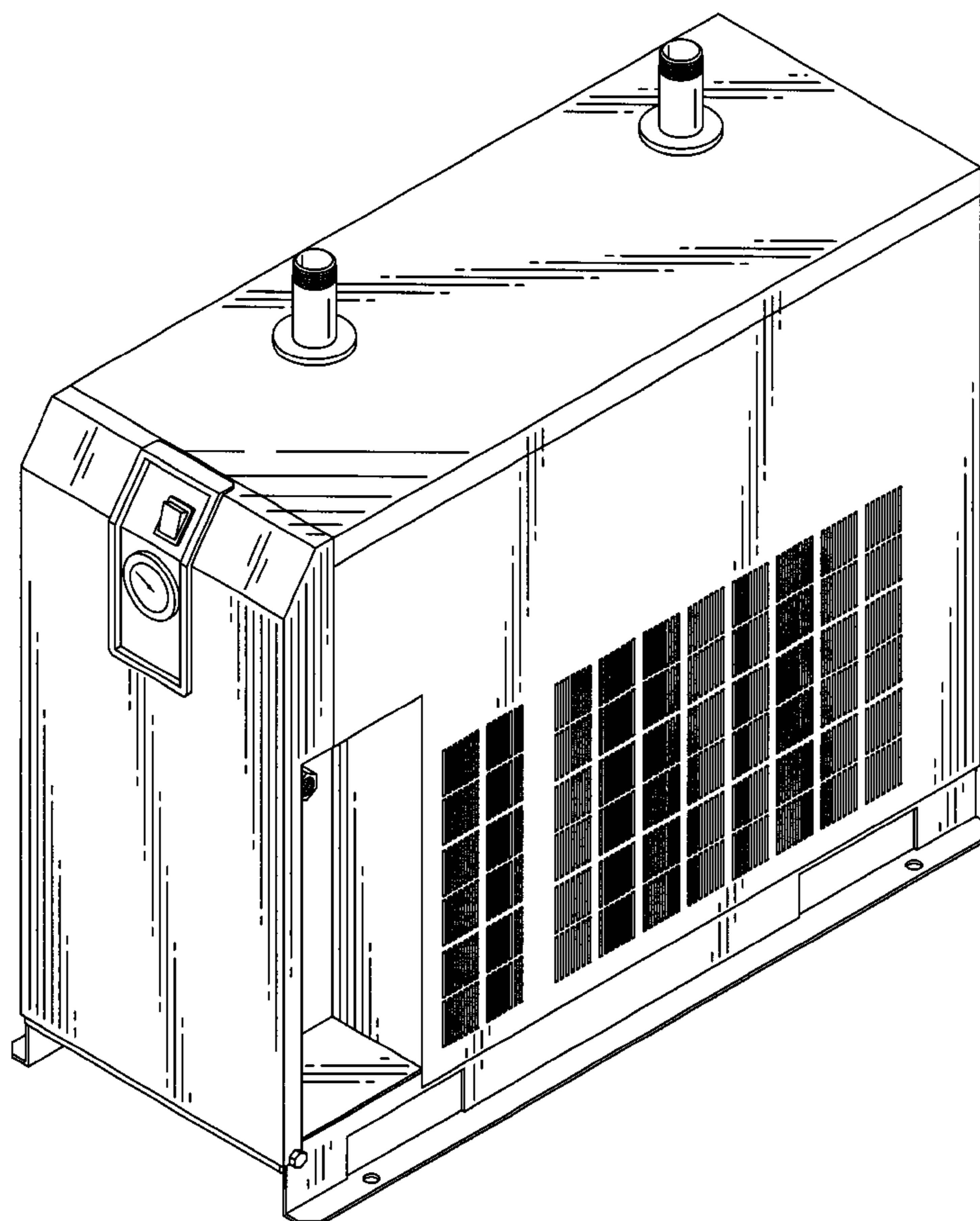


FIG. 1

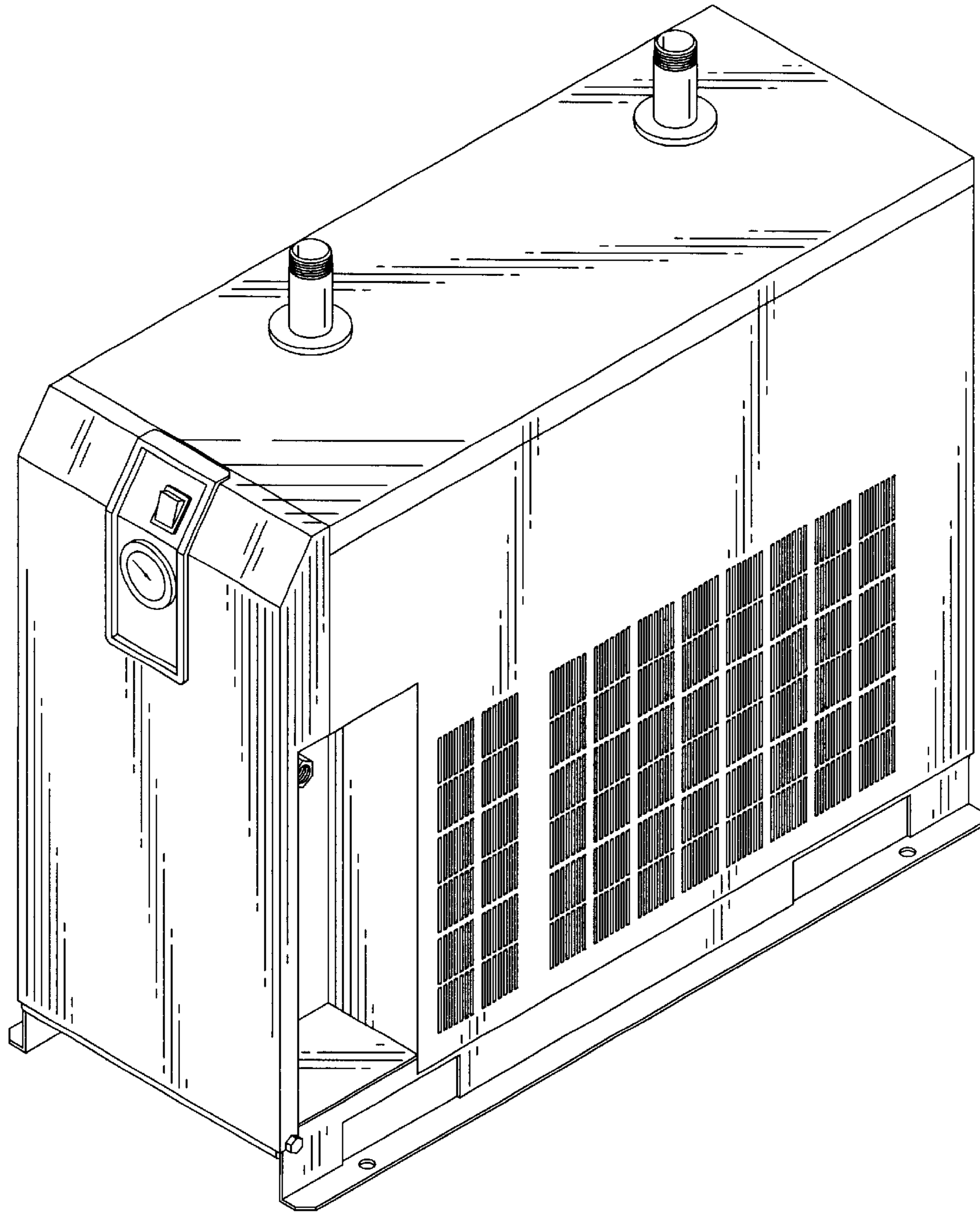


FIG. 2

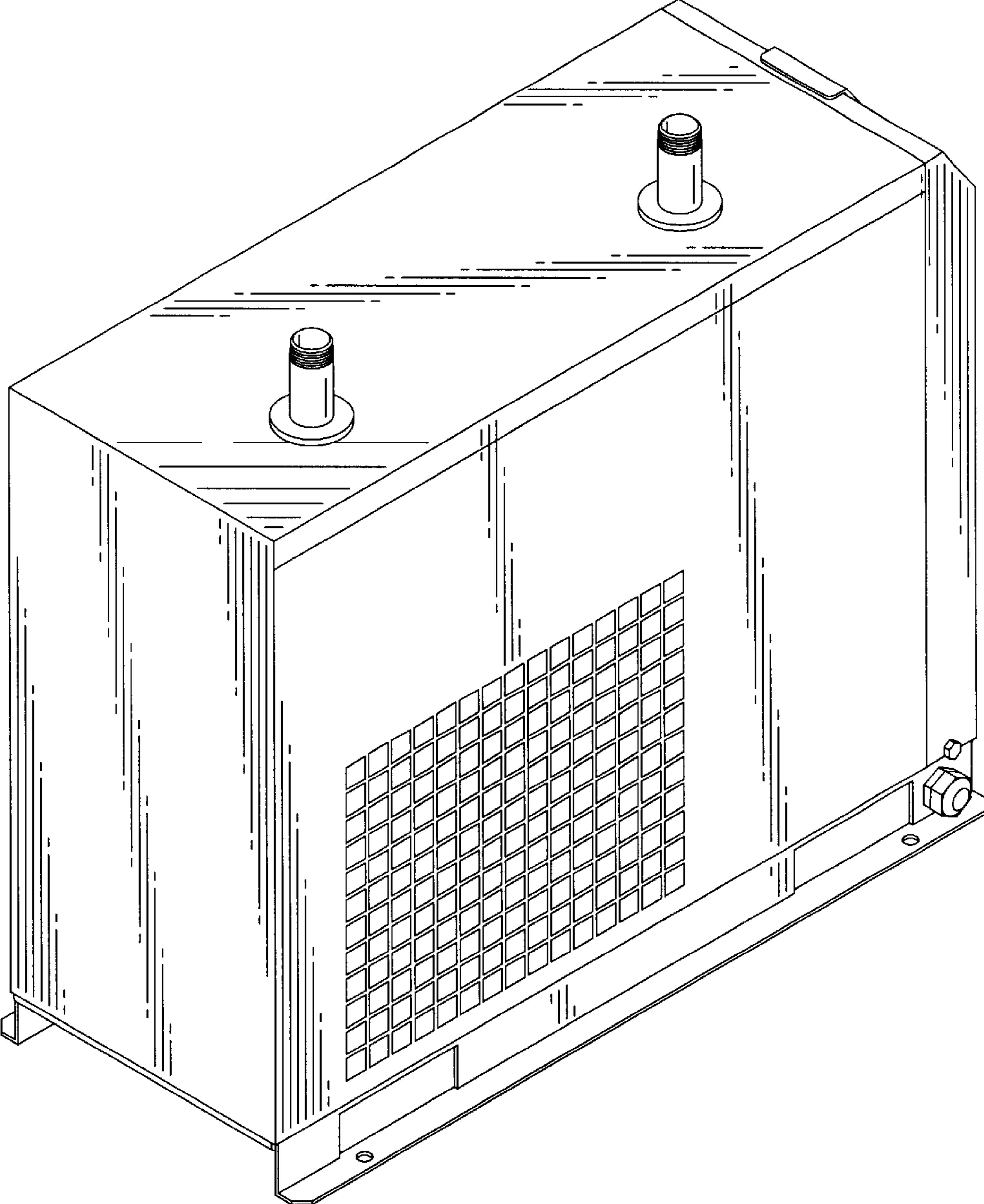


FIG. 3

FIG. 4

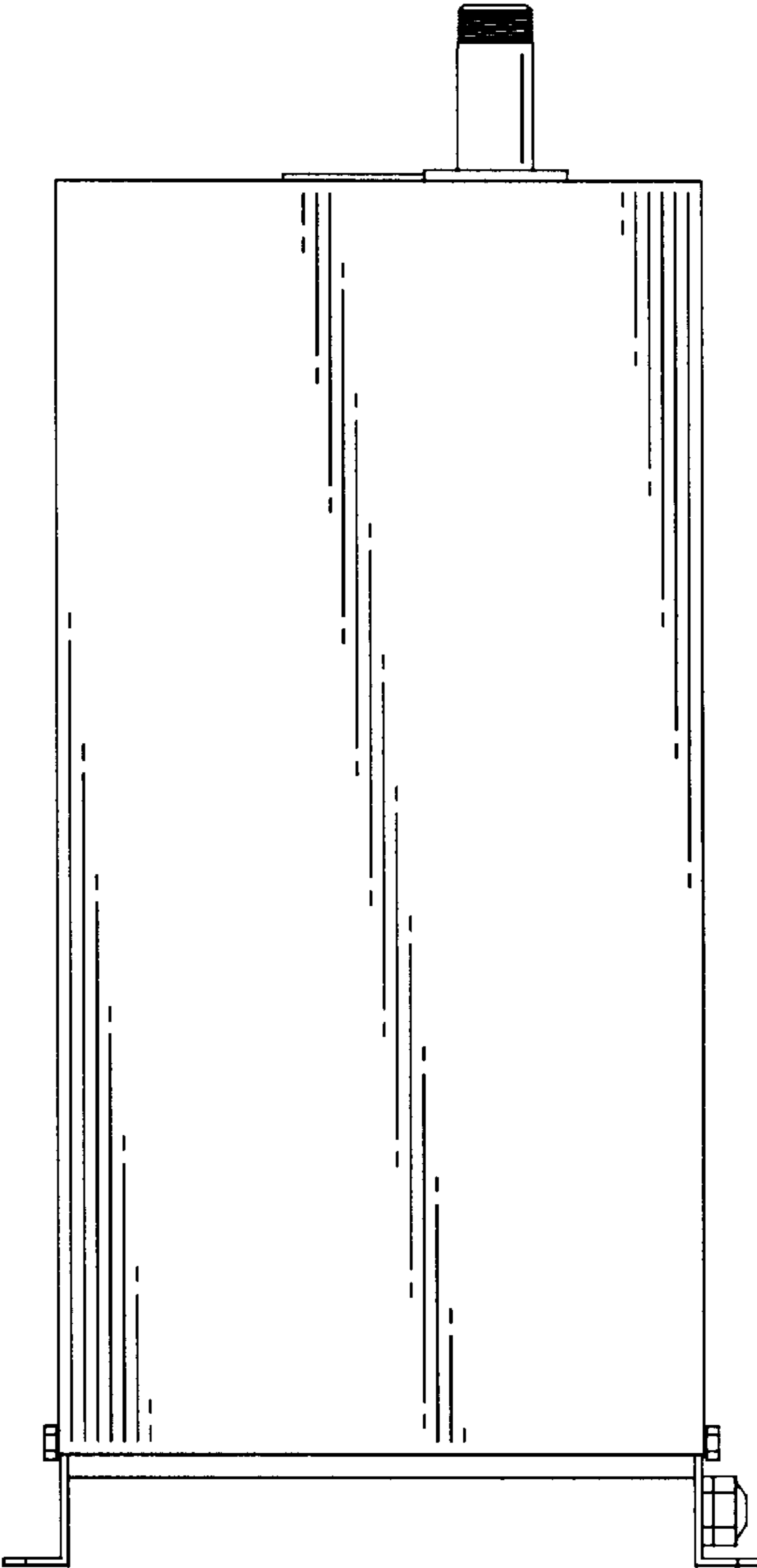
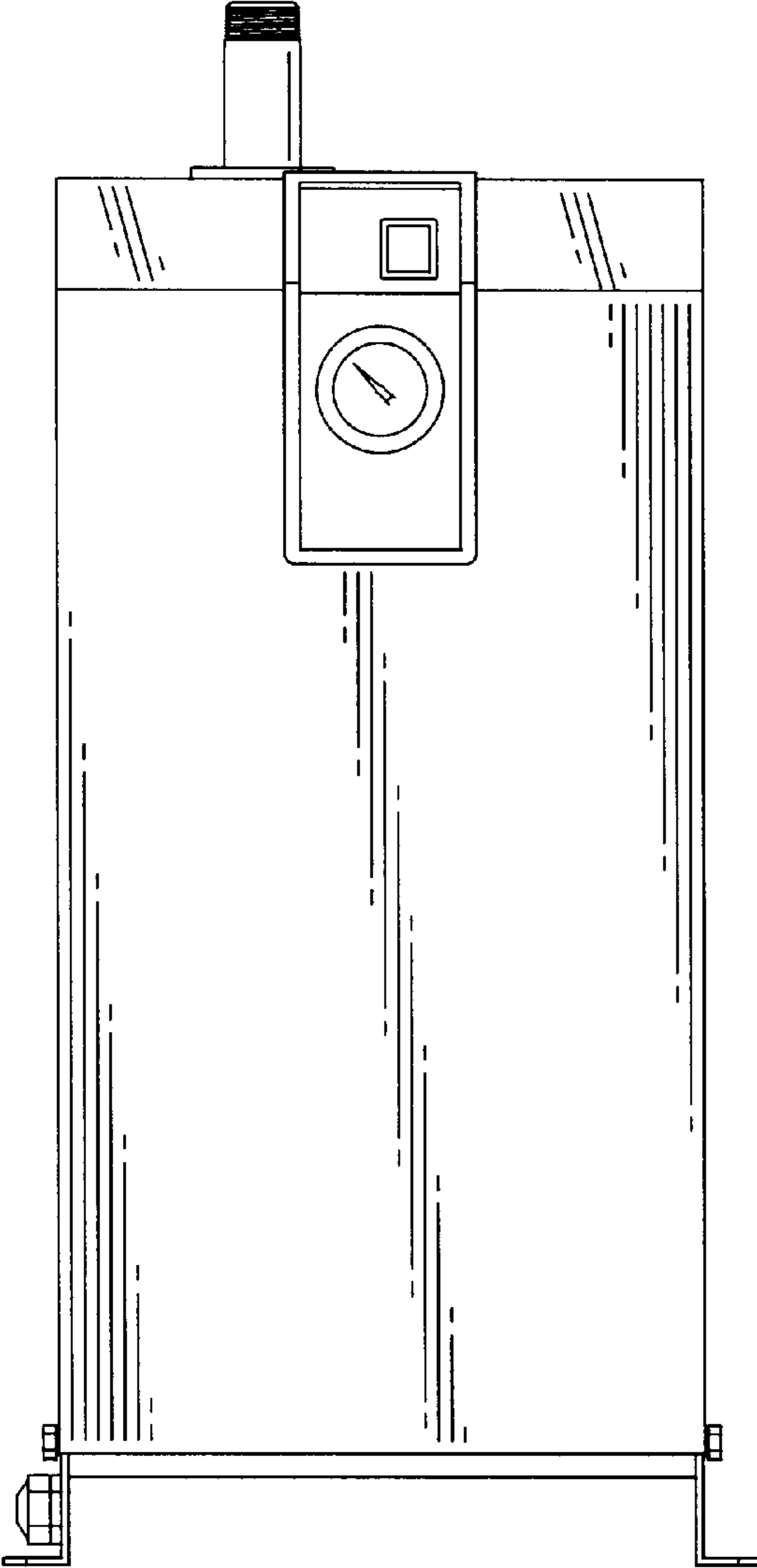


FIG. 5

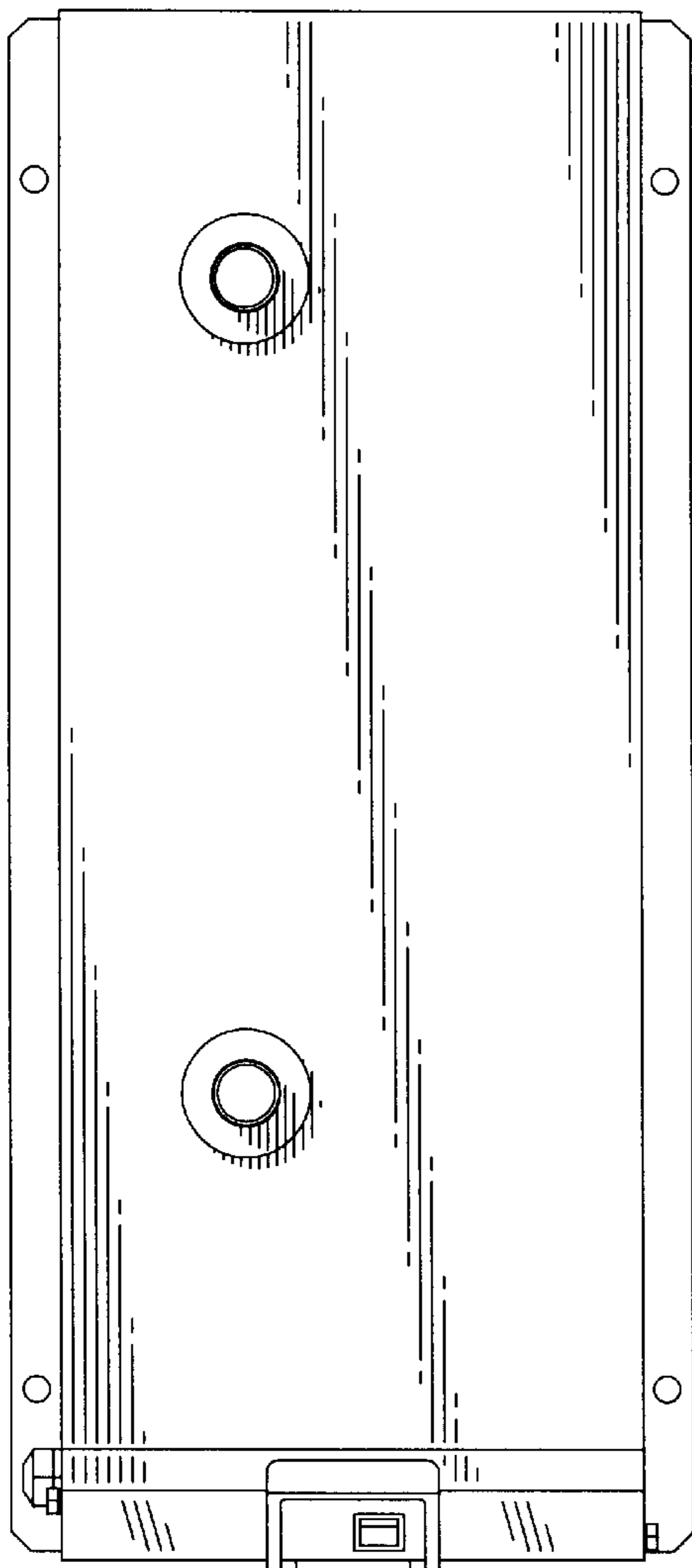


FIG. 6

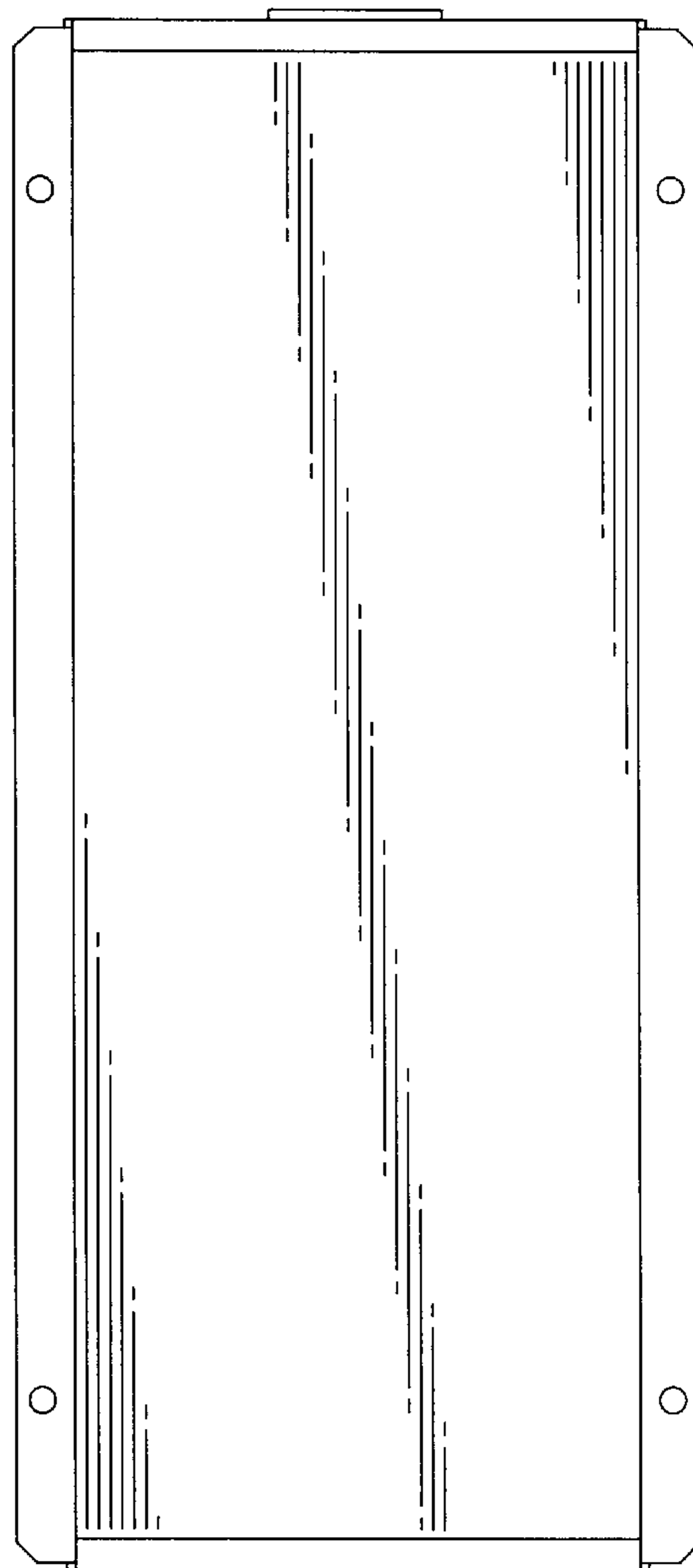


FIG. 7

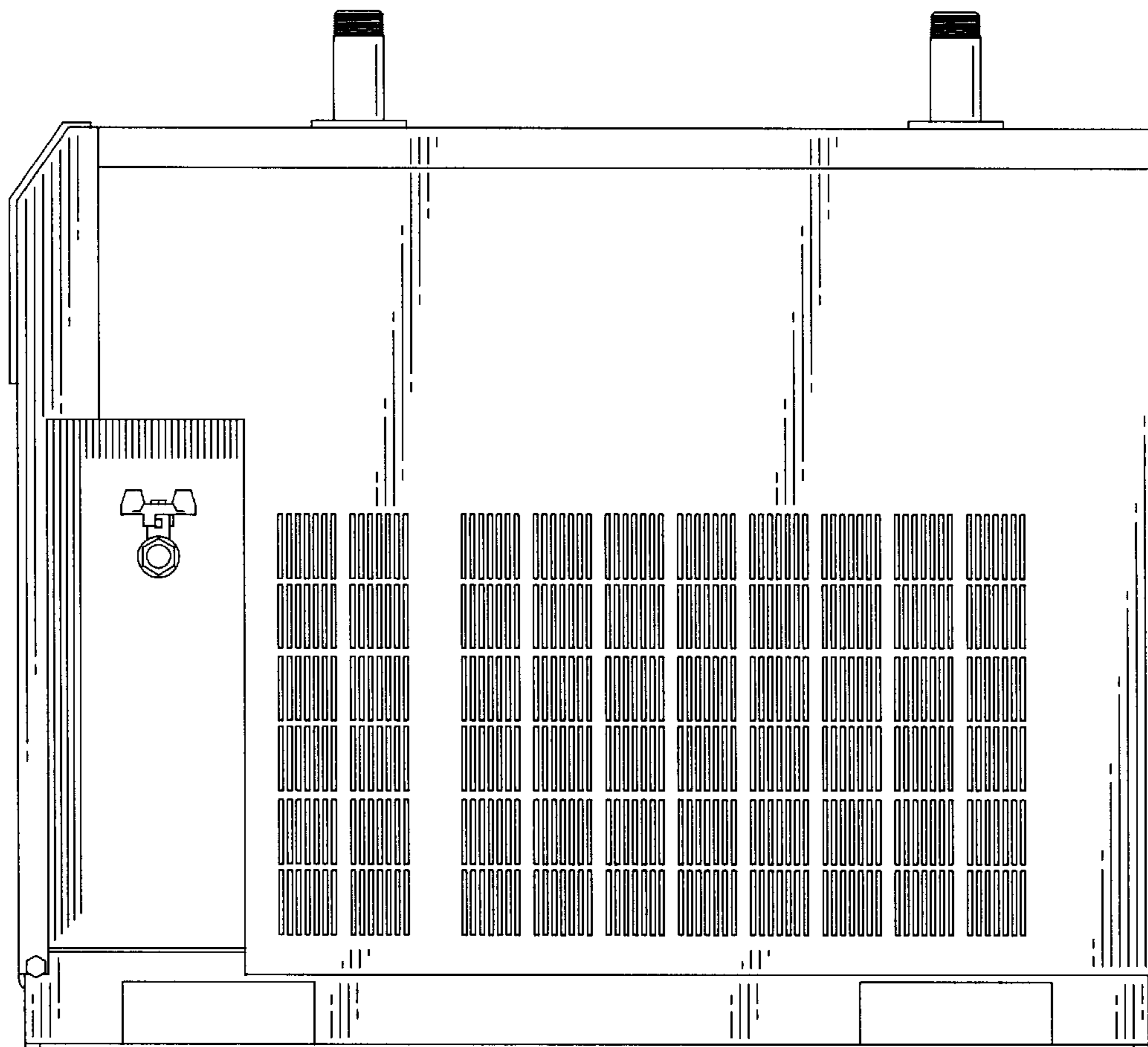
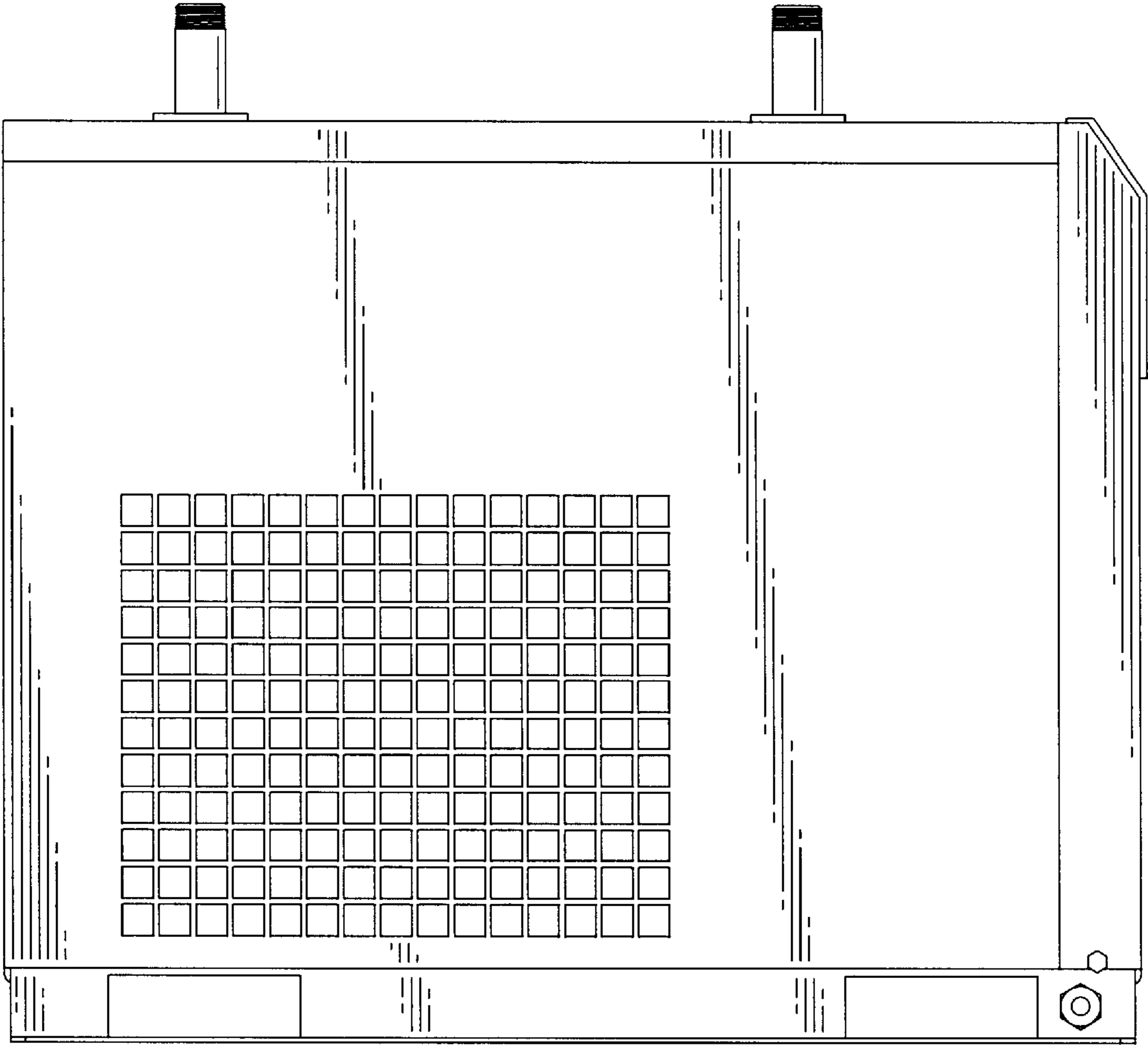


FIG. 8



UNITED STATES PATENT AND TRADEMARK OFFICE
CERTIFICATE OF CORRECTION

PATENT NO. : Des. 522,114 S
APPLICATION NO. : 29/224345
DATED : May 30, 2006
INVENTOR(S) : Satoshi Otaki

Page 1 of 1

It is certified that error appears in the above-identified patent and that said Letters Patent is hereby corrected as shown below:


In the Title Page:

Below Item (73) Assignee,

change "SMS Kabushiki Kaisha, Tokyo (JP)" to
-- SMC Kabushiki Kaisha, Tokyo (JP) --.

Signed and Sealed this

Twenty-eighth Day of August, 2007

A handwritten signature in black ink on a dotted background. The signature reads "Jon W. Dudas" in a cursive style.

JON W. DUDAS

Director of the United States Patent and Trademark Office

UNITED STATES PATENT AND TRADEMARK OFFICE
CERTIFICATE OF CORRECTION

PATENT NO. : Des. 522,114 S
APPLICATION NO. : 29/224345
DATED : May 30, 2006
INVENTOR(S) : Satoshi Otaki

Page 1 of 1

It is certified that error appears in the above-identified patent and that said Letters Patent is hereby corrected as shown below:


In the Title Page :

Below Item (73) Assignee,

change " SMS Kabushiki Kaisha, Tokyo (JP) " to
-- SMC Kabushiki Kaisha, Tokyo (JP) -- .

Signed and Sealed this

Eleventh Day of September, 2007

A handwritten signature in black ink on a dotted background. The signature reads "Jon W. Dudas" in a cursive style.

JON W. DUDAS

Director of the United States Patent and Trademark Office