

US00D522112S

(12) **United States Design Patent**
Grohe

(10) **Patent No.:** **US D522,112 S**

(45) **Date of Patent:** **** May 30, 2006**

(54) **WALLBAR WITH SHOWER**

(75) Inventor: **Klaus Grohe**, Schiltach (DE)

(73) Assignee: **Hansgrohe AG** (DE)

(**) Term: **14 Years**

(21) Appl. No.: **29/209,201**

(22) Filed: **Jul. 12, 2004**

(30) **Foreign Application Priority Data**

Jan. 14, 2004 (EM) 125026-0003

(51) **LOC (8) Cl.** **23-02**

(52) **U.S. Cl.** **D23/304**

(58) **Field of Classification Search** D23/270–271,
D23/275, 283, 303–304, 213, 266, 228–229;
4/546, 552, 605, 596–597, 615, 617, 601;
D8/354–356, 373; 248/229.1

See application file for complete search history.

(56) **References Cited**

U.S. PATENT DOCUMENTS

D456,496 S * 4/2002 Warshawsky D23/283

D498,294 S * 11/2004 Duser D23/304

* cited by examiner

Primary Examiner—Robert A. Delehanty

(74) *Attorney, Agent, or Firm*—Kwadjo Adusei-Poku;
Lloyd D. Doigan

(57) **CLAIM**

The ornamental design for a wallbar with shower, as shown and described.

DESCRIPTION

FIG. 1 is a front perspective view of a wallbar with shower showing my new design;

FIG. 2 is a rear perspective view thereof;

FIG. 3 is a front elevational view thereof;

FIG. 4 is a right side elevational view thereof;

FIG. 5 is a left side elevational view thereof;

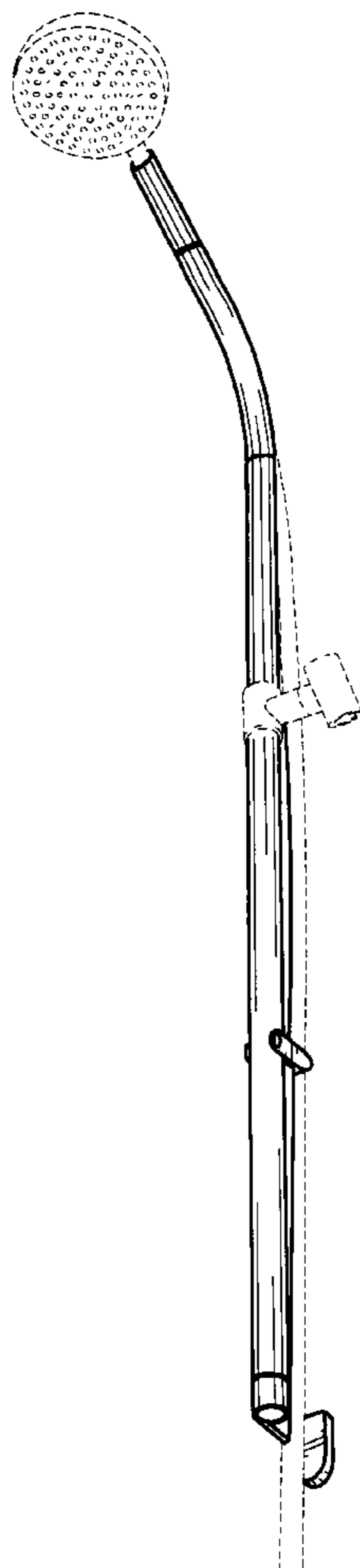
FIG. 6 is a rear elevational view thereof;

FIG. 7 is a top plan view thereof; and,

FIG. 8 is a bottom plan view thereof.

The broken line showing of a hose, brackets and showerhead is for illustrative purposes only and forms no part of the claimed design.

1 Claim, 4 Drawing Sheets



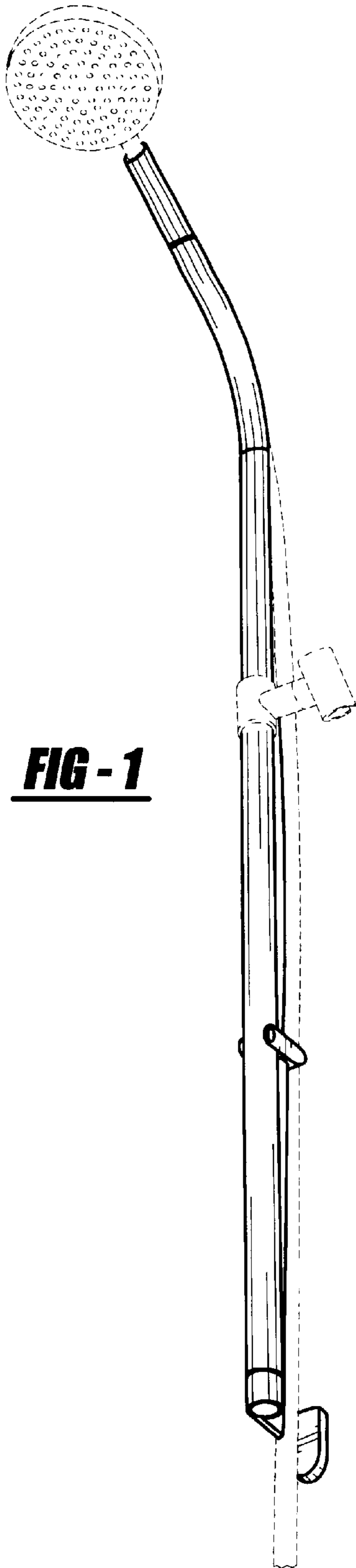


FIG - 1

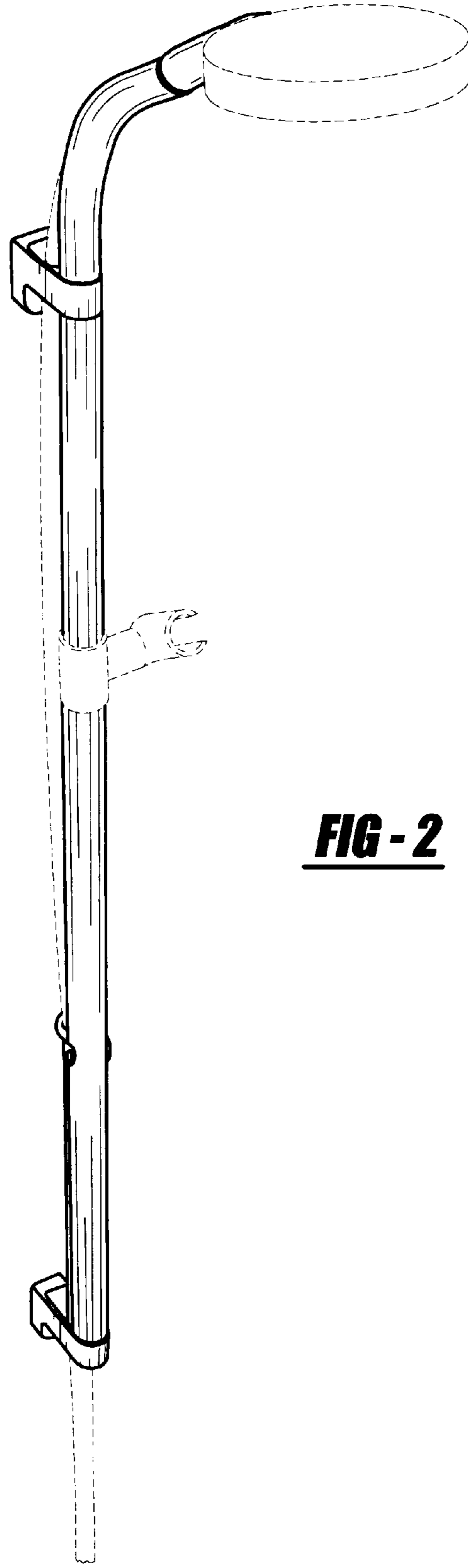


FIG - 2

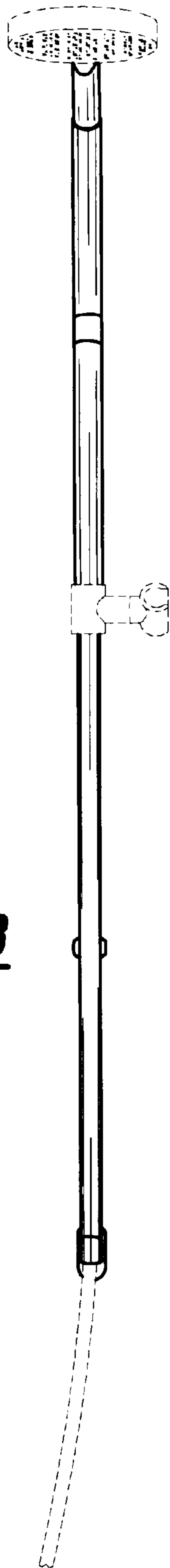


FIG - 3

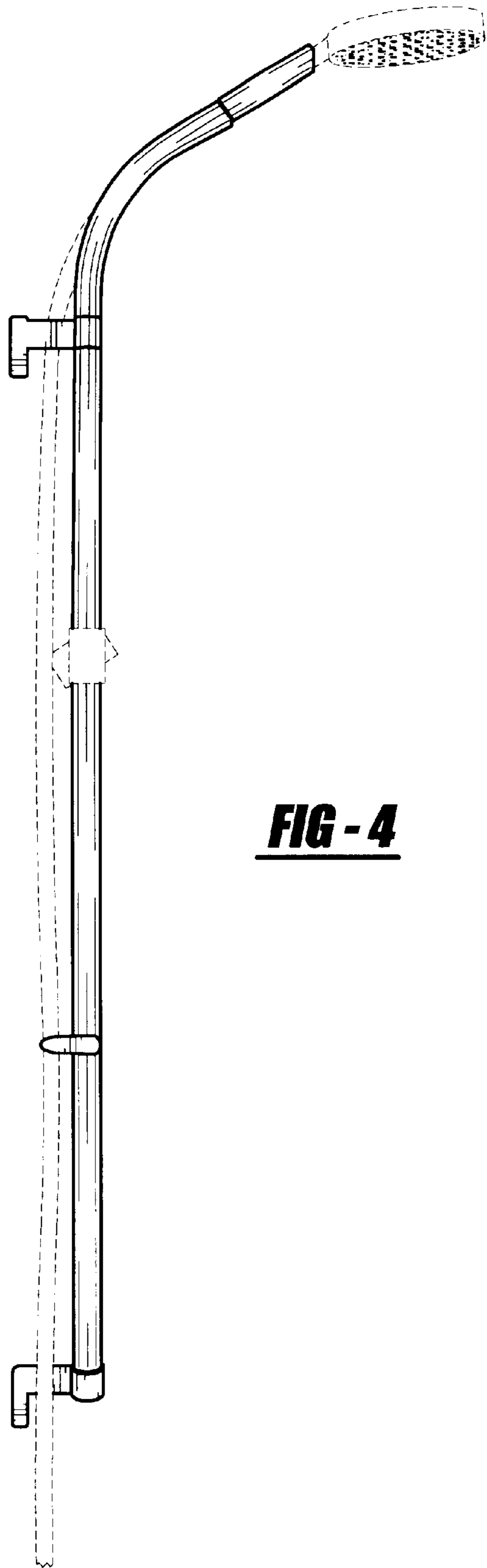


FIG - 4

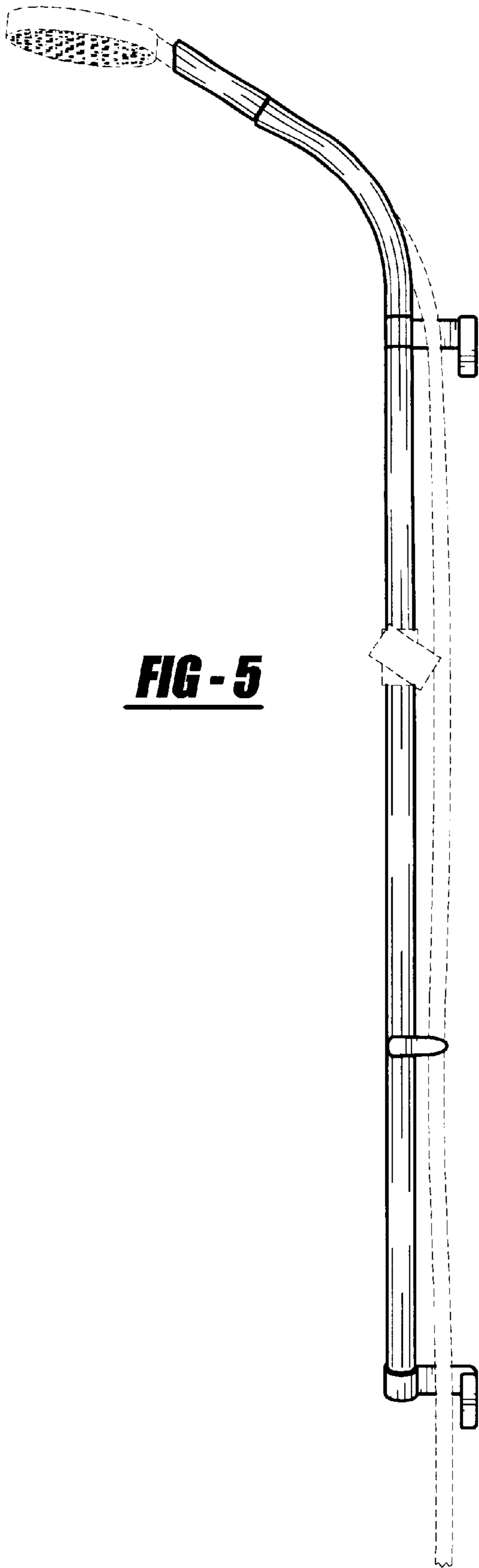


FIG - 5

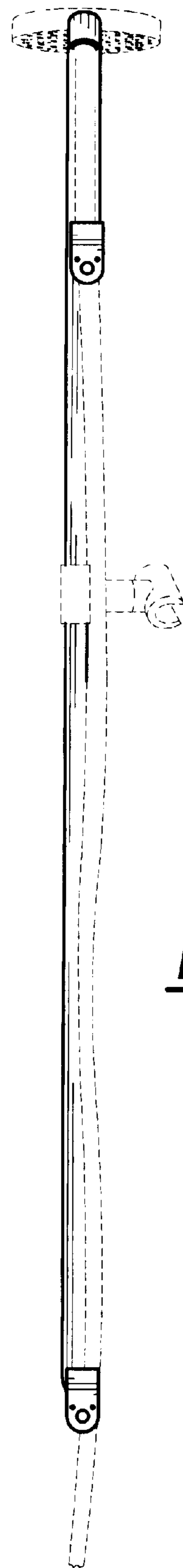


FIG - 6

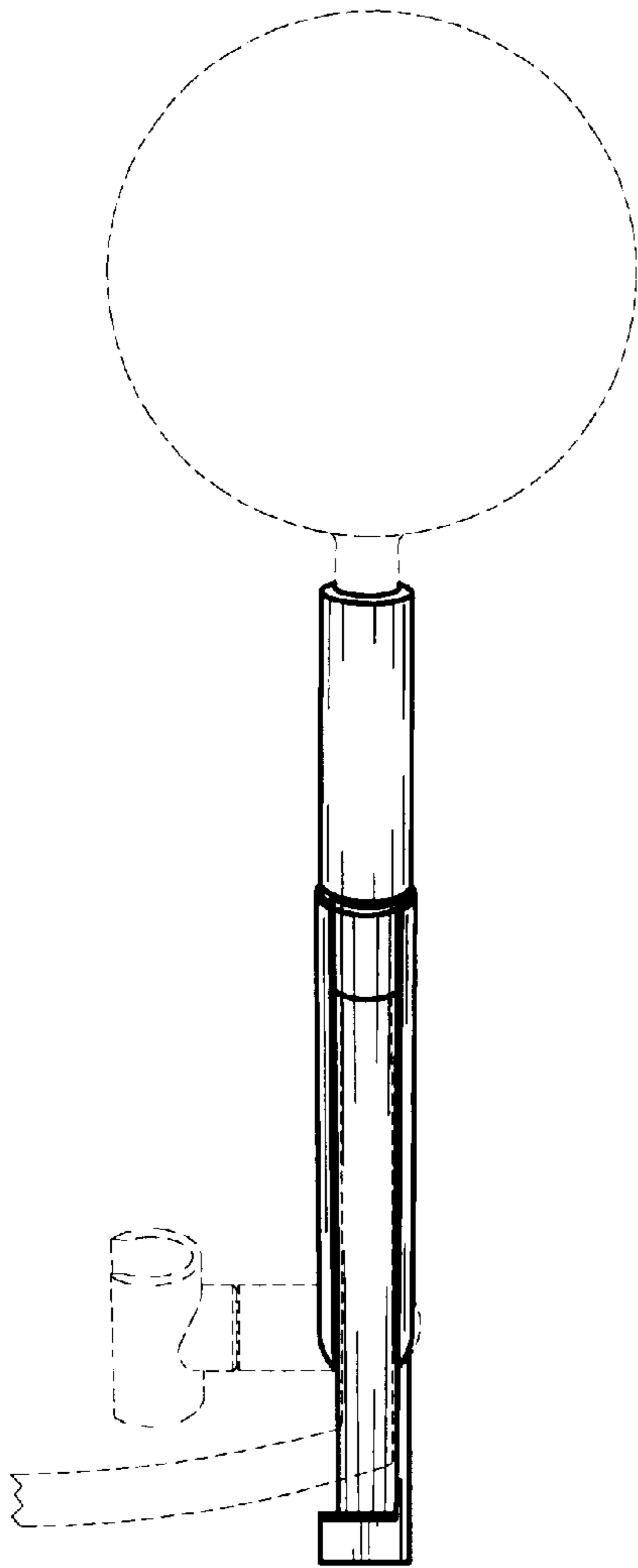


FIG - 7

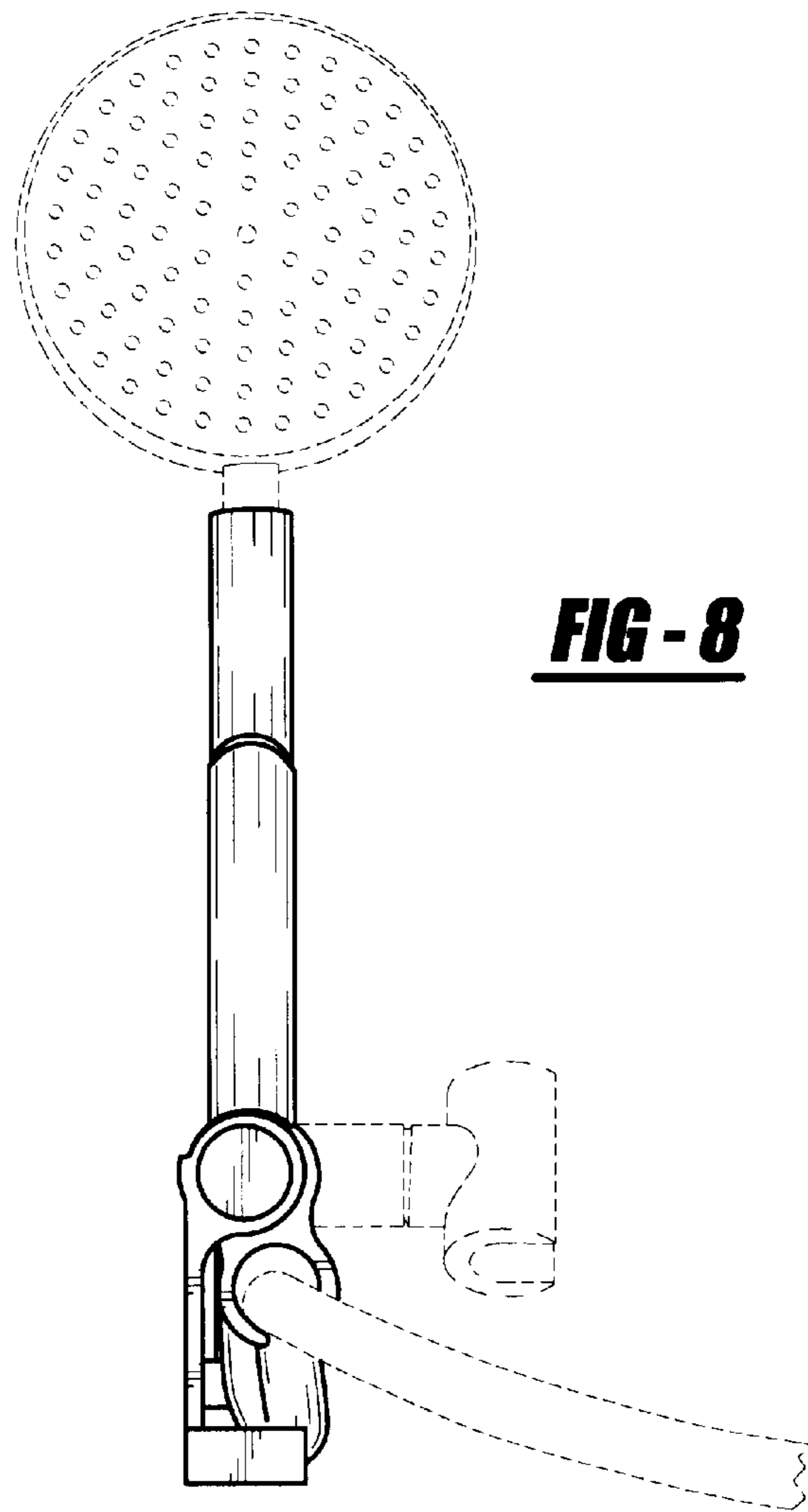


FIG - 8