



US00D522110S

(12) **United States Design Patent** (10) **Patent No.:** **US D522,110 S**  
**Lanius** (45) **Date of Patent:** **\*\* May 30, 2006**

(54) **PLUMBING ENCLOSURE**  
(75) Inventor: **Jason T. Lanius**, Sheboygan, WI (US)  
(73) Assignee: **Kohler Co.**, Kohler, WI (US)  
(\*\*) Term: **14 Years**

(21) Appl. No.: **29/197,355**  
(22) Filed: **Jan. 14, 2004**

(51) **LOC (8) Cl.** ..... **23-02**  
(52) **U.S. Cl.** ..... **D23/283**  
(58) **Field of Classification Search** ..... D23/273,  
D23/275, 283, 303-304; 4/596-597, 612,  
4/614, DIG. 15  
See application file for complete search history.

(56) **References Cited**

**U.S. PATENT DOCUMENTS**

D345,783 S \* 4/1994 Kohler, Jr. .... D23/275  
D379,649 S \* 6/1997 Eeckhoudt ..... D23/283

**OTHER PUBLICATIONS**

1993 Sterling catalog ad, p. 17, showing a shower enclosure with a neo-angle base.  
Undated Swan catalog ad showing a shower enclosure with a neo-angle base.  
Undated Eljar catalog ad, p. 1.47, showing a "Capelli" neo-angle shower.  
1993 Sterling catalog ad, p. 10, showing a neo-angle shower.

2000 Kohler catalog ad, p. 10.19, showing a K-9542 "Memoirs" receptor.  
2002 Kohler catalog ad, p. 9.29, showing a "Devonshire" bath.  
\* cited by examiner

*Primary Examiner*—Robert A. Delehanty  
(74) *Attorney, Agent, or Firm*—Quarles & Brady LLP

(57) **CLAIM**

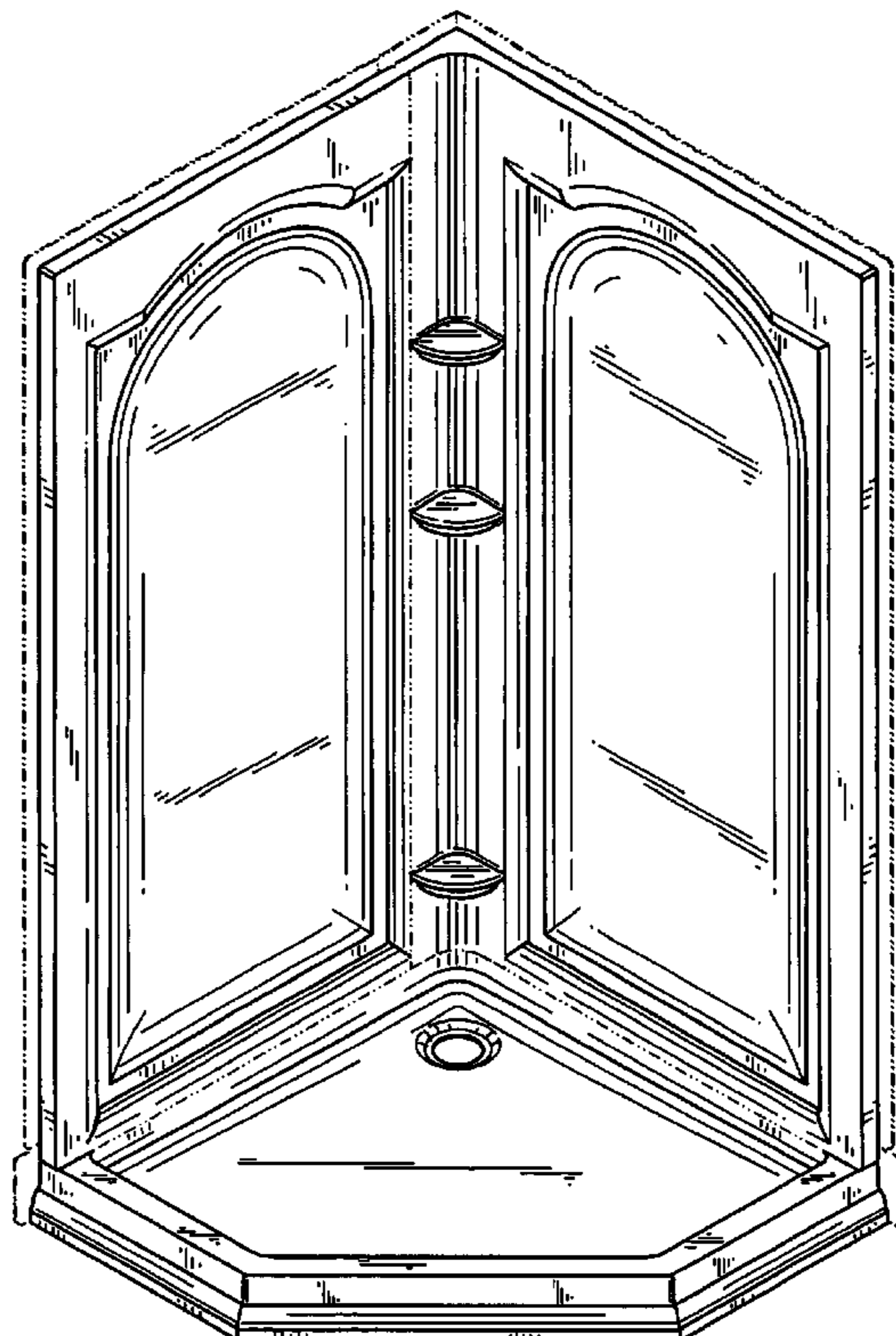
The ornamental design for a plumbing enclosure, as shown and described.

**DESCRIPTION**

In a preferred embodiment, the nature of this product is as a plumbing fixture in the form of a shower enclosure which is primarily useful for washing the body parts of humans. FIG. 1 is a right, top, front perspective view of a plumbing enclosure embodying my new design; FIG. 2 is a front elevational view thereof; FIG. 3 is a right side elevational view thereof; FIG. 4 is a top plan view thereof; FIG. 5 is a left side elevational view thereof; FIG. 6 is a rear elevational view thereof; and, FIG. 7 is a bottom plan view thereof.

The broken line representations of a flange in FIGS. 1-4 and 7, and of seams in FIGS. 1 and 3, are for the purpose of illustration only, and form no part of the claimed design.

**1 Claim, 6 Drawing Sheets**



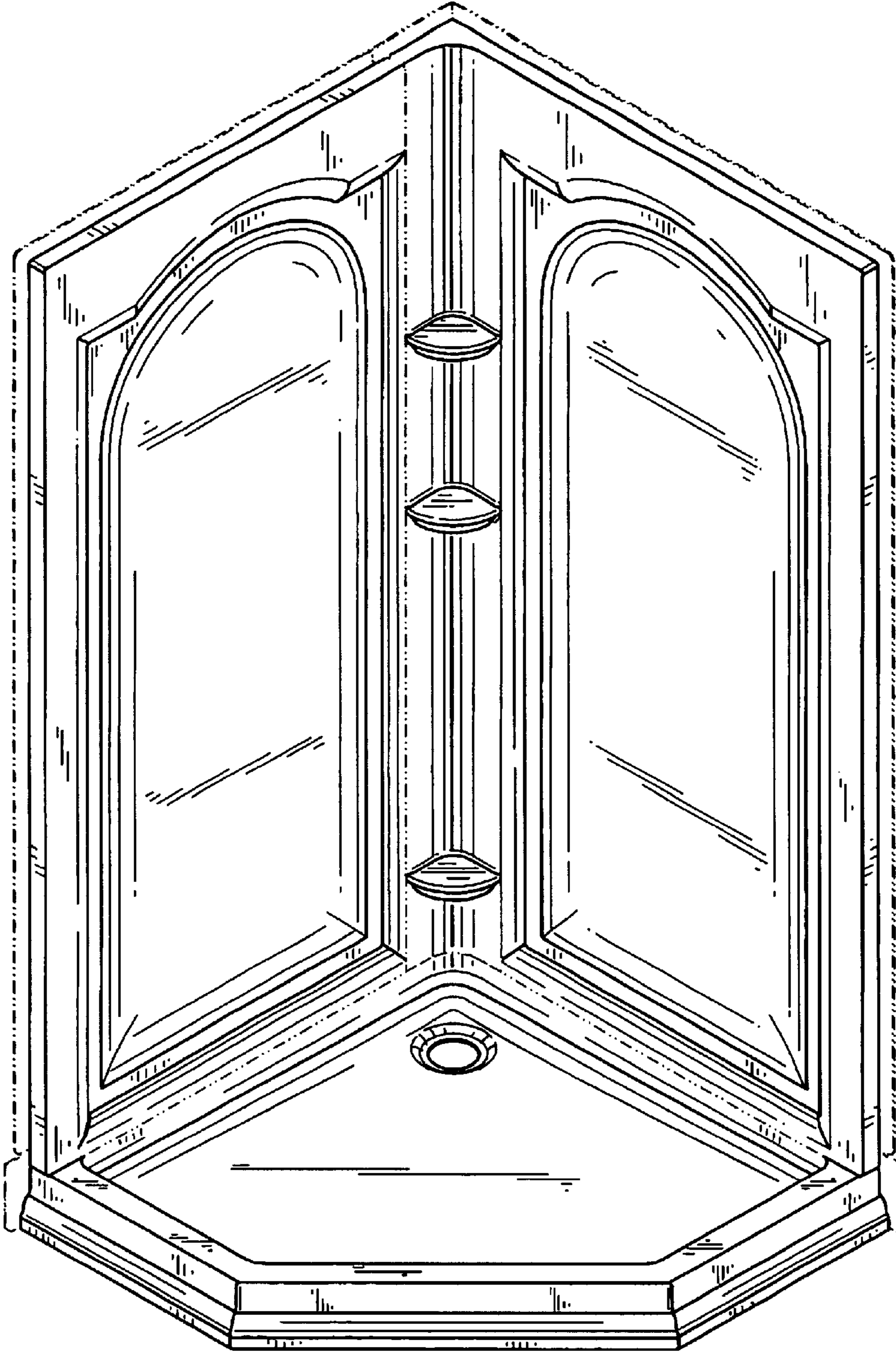


FIG. 1

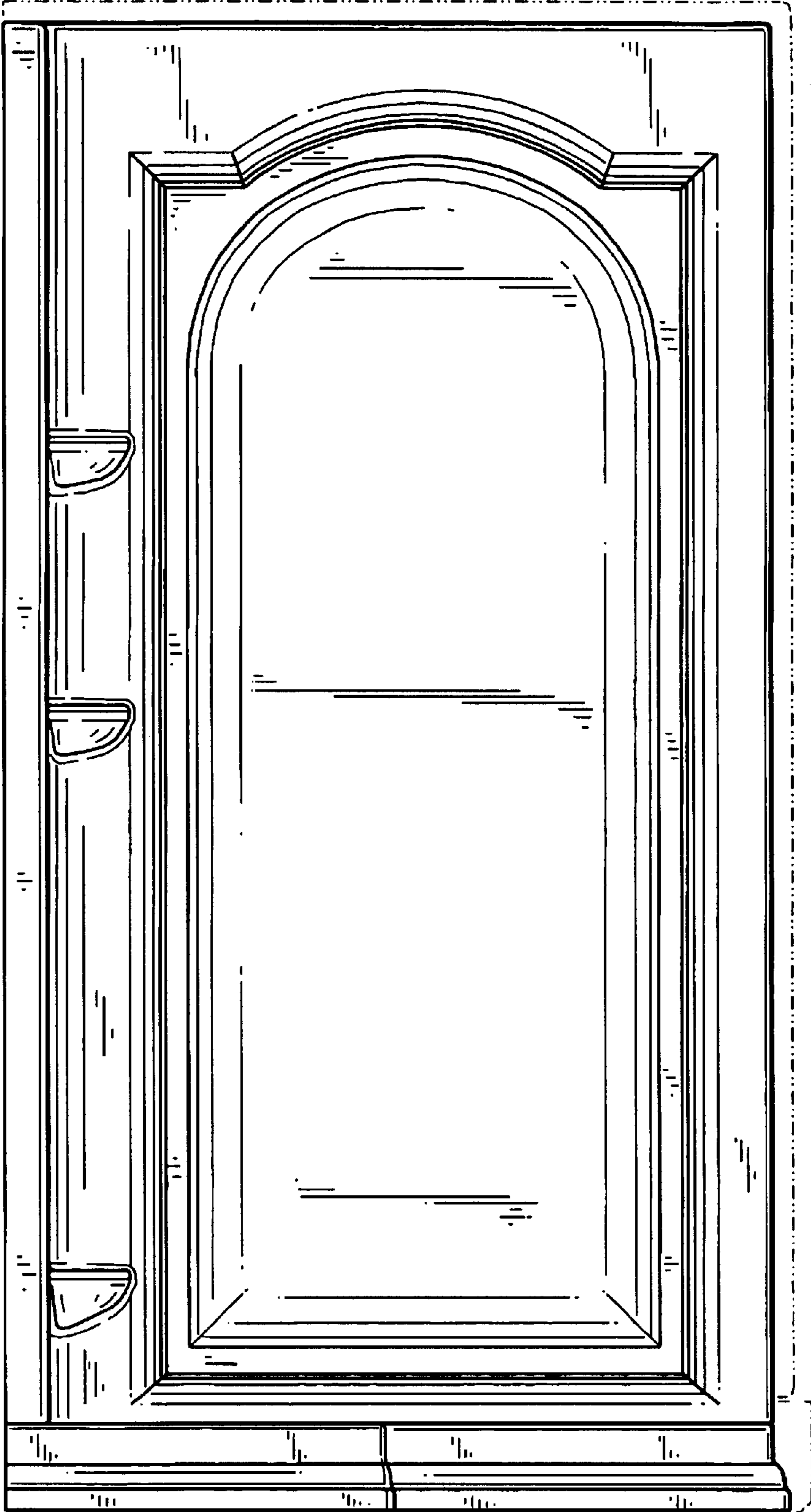


FIG. 2

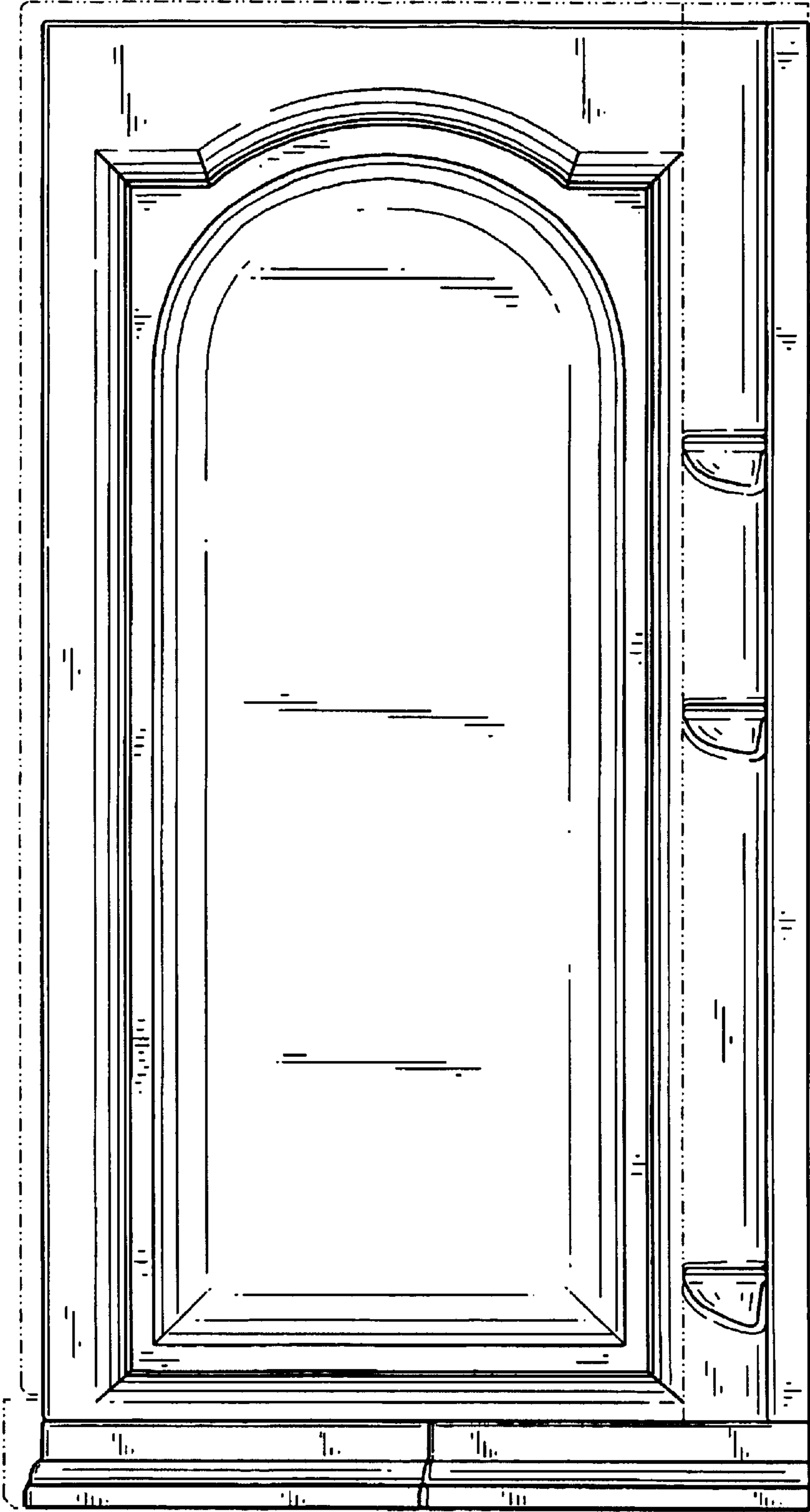


FIG. 3

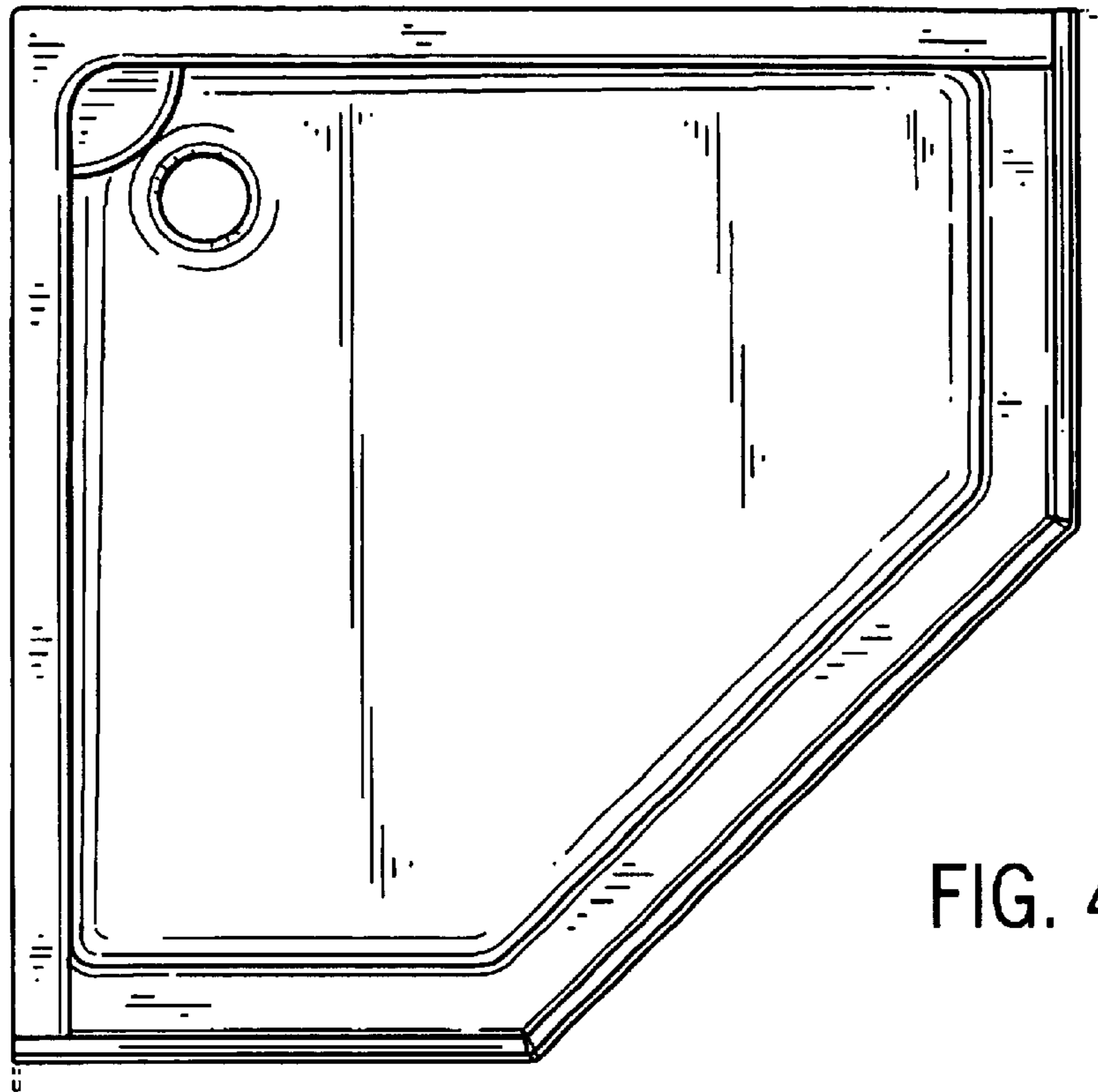


FIG. 4

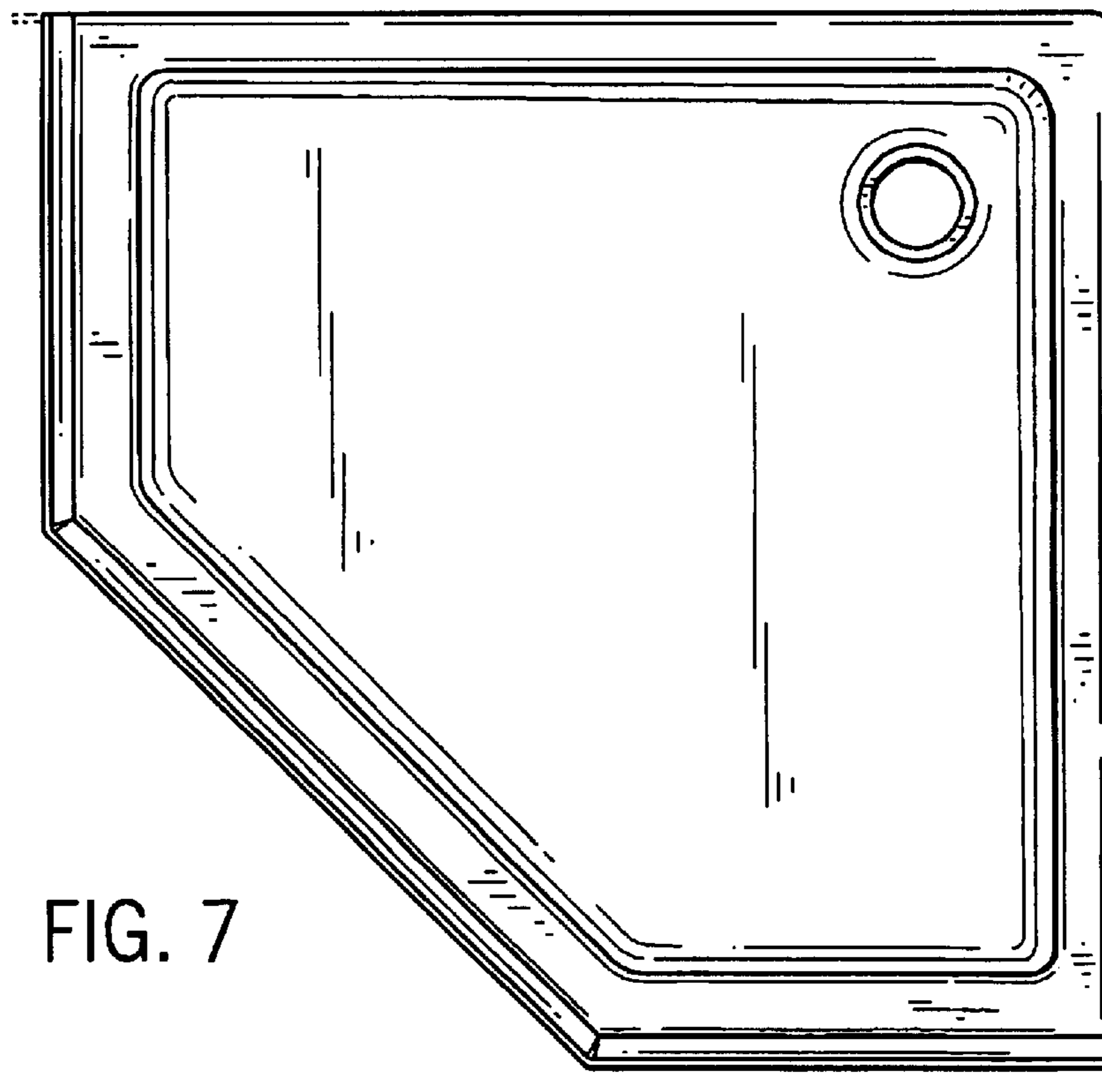


FIG. 7

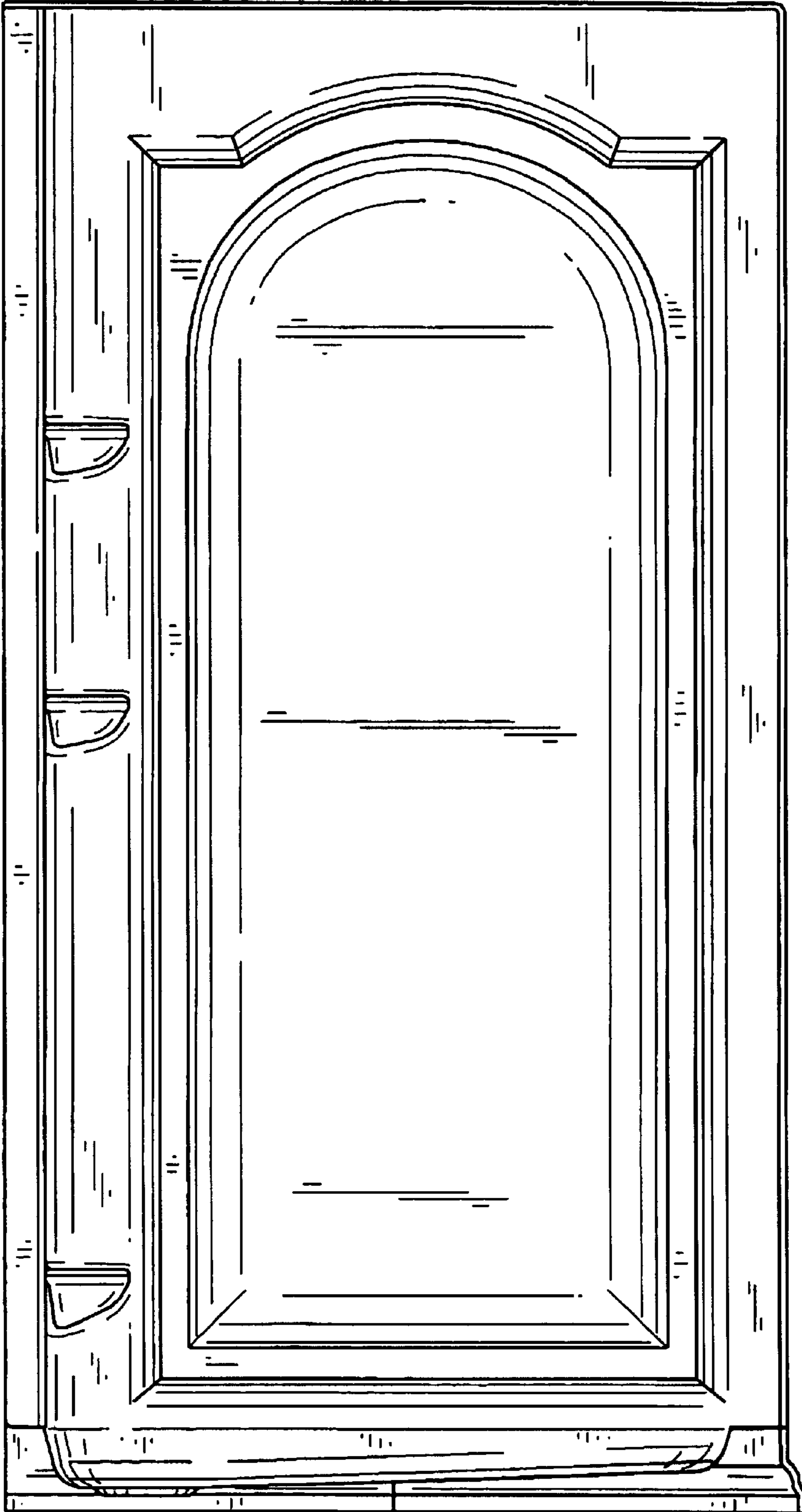


FIG. 5

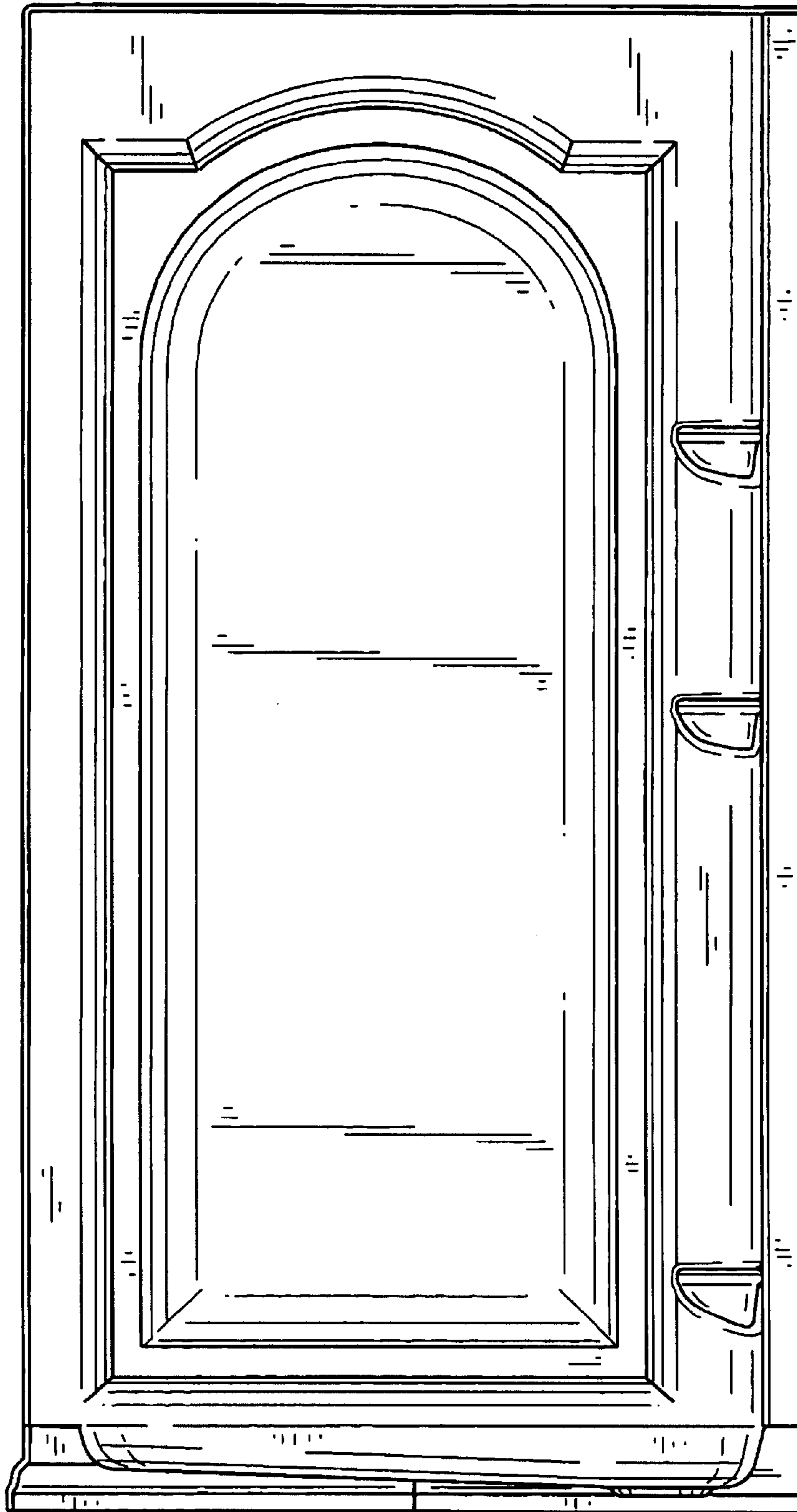


FIG. 6