

US00D522109S

(12) **United States Design Patent**  
**White et al.**

(10) **Patent No.:** **US D522,109 S**  
(45) **Date of Patent:** **\*\* May 30, 2006**

(54) **CONNECTOR**

**DESCRIPTION**

(75) Inventors: **Craig Karl White**, Auckland (NZ);  
**Jason Peter Van Beurden**, Auckland (NZ)

(73) Assignee: **Fisher & Paykel Healthcare Limited**,  
Auckland (NZ)

(\*\*) Term: **14 Years**

(21) Appl. No.: **29/214,730**

(22) Filed: **Oct. 7, 2004**

(51) **LOC (8) Cl.** ..... **23-01**

(52) **U.S. Cl.** ..... **D23/262**

(58) **Field of Classification Search** ..... D23/259,  
D23/262; 285/305, 275, 277, 381, 353, 253,  
285/257, 377; 251/150, 149.1

See application file for complete search history.

(56) **References Cited**

**U.S. PATENT DOCUMENTS**

626,932	A	6/1899	Reed et al.	
2,388,562	A	* 11/1945	Neal et al.	524/99
4,913,471	A	4/1990	Huneke	
D384,731	S	* 10/1997	Ramacier et al.	D23/262
6,015,171	A	* 1/2000	Schorn	285/362
6,168,212	B1	* 1/2001	Finley	285/377
6,491,034	B1	12/2002	Gunaratnam et al.	
6,540,263	B1	* 4/2003	Sausner	285/305

\* cited by examiner

*Primary Examiner*—Robin Webster

(74) *Attorney, Agent, or Firm*—Trexler, Bushnell,  
Giangiorgi, Blackstone & Marr, Ltd

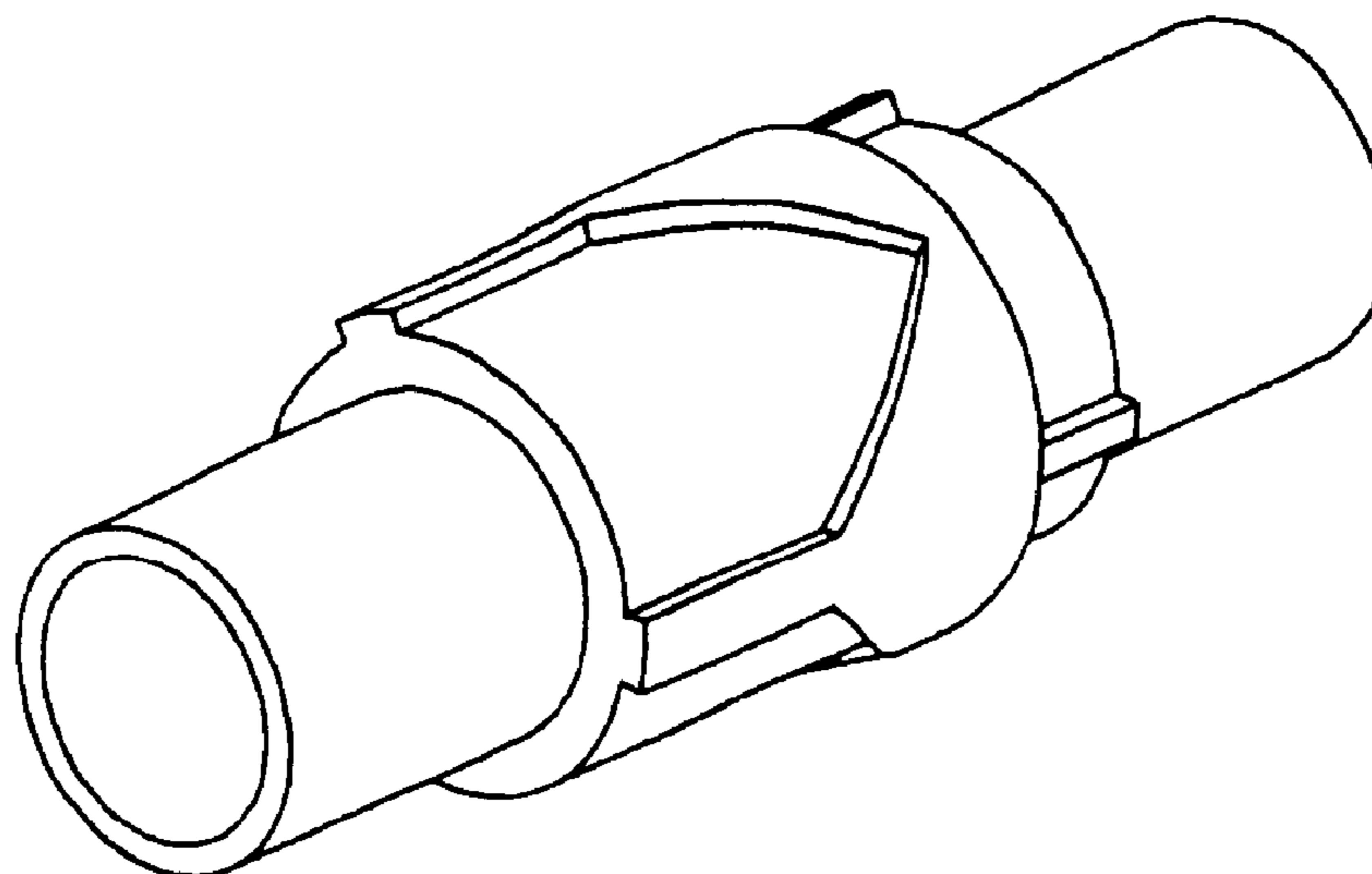
(57) **CLAIM**

The ornamental design for a connector, as shown and described.

FIG. 1 is a perspective view of the connector in accordance with our design;  
 FIG. 2 is a top plan view of the connector;  
 FIG. 3 is a right side elevational view of the connector;  
 FIG. 4 is a left side elevational view of the connector;  
 FIG. 5 is a bottom plan view of the connector;  
 FIG. 6 is a front elevational view of the connector;  
 FIG. 7 is a rear elevational view of the connector;  
 FIG. 8 is a perspective view of a first part of the connector in accordance with our design;  
 FIG. 9 is a top plan view of the first part of the connector;  
 FIG. 10 is a right side elevational view of the first part of the connector;  
 FIG. 11 is a left side elevational view of the first part of the connector;  
 FIG. 12 is a bottom plan view of the first part of the connector;  
 FIG. 13 is a front elevational view of the first part of the connector;  
 FIG. 14 is a rear elevational view of the first part of the connector;  
 FIG. 15 is a perspective view of a second part of the connector in accordance with our design;  
 FIG. 16 is a top plan view of the second part of the connector;  
 FIG. 17 is a right side elevational view of the second part of the connector;  
 FIG. 18 is a left side elevational view of the second part of the connector;  
 FIG. 19 is a bottom plan view of the second part of the connector;  
 FIG. 20 is a front elevational view of the second part of the connector; and,  
 FIG. 21 is a rear elevational view of the second part of the connector.

The parts of the connector are shown separately for clarity of illustration.

**1 Claim, 3 Drawing Sheets**



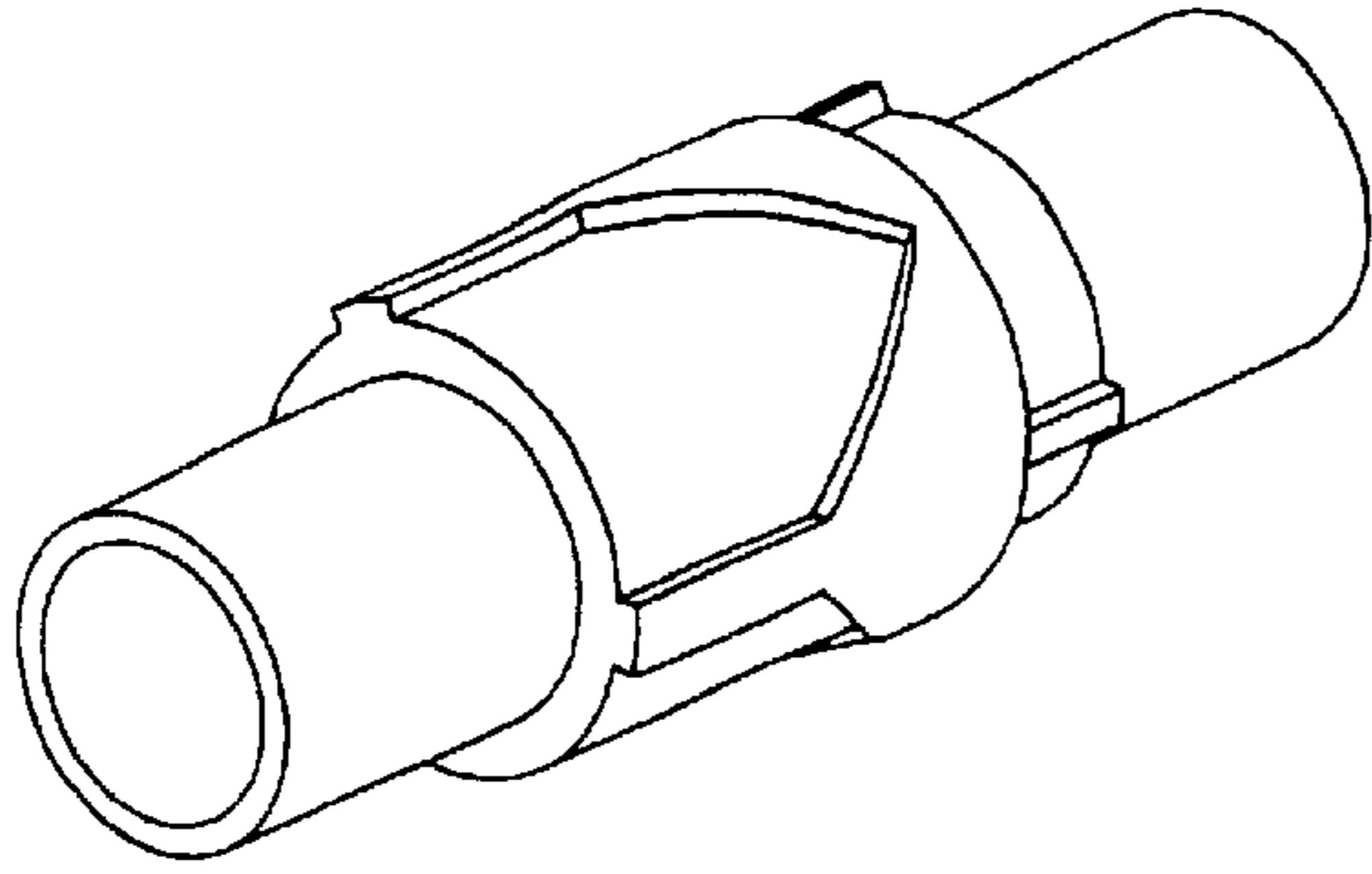


FIG. 1

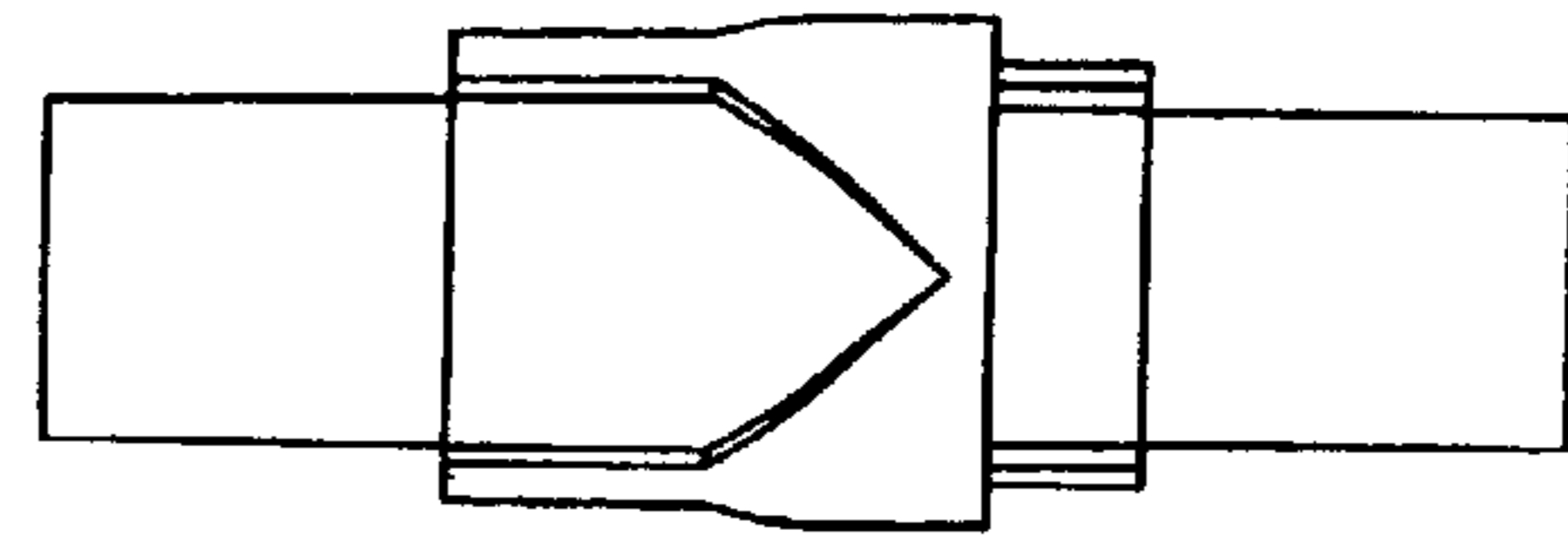


FIG. 2

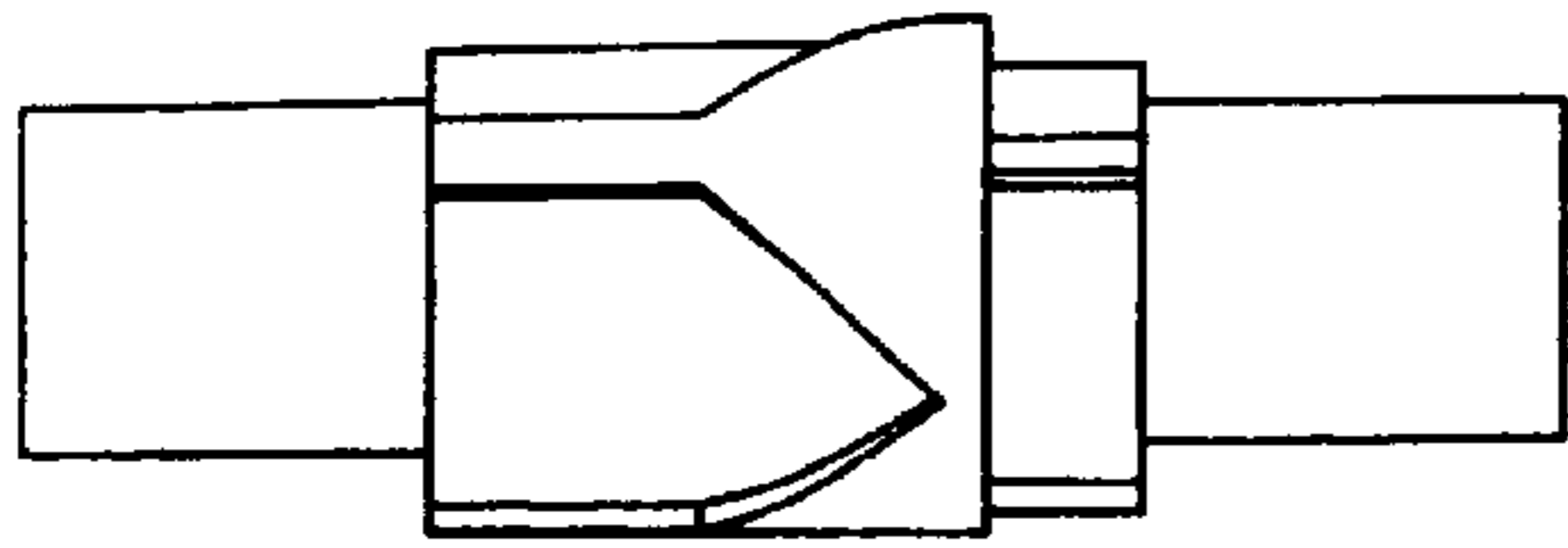


FIG. 3

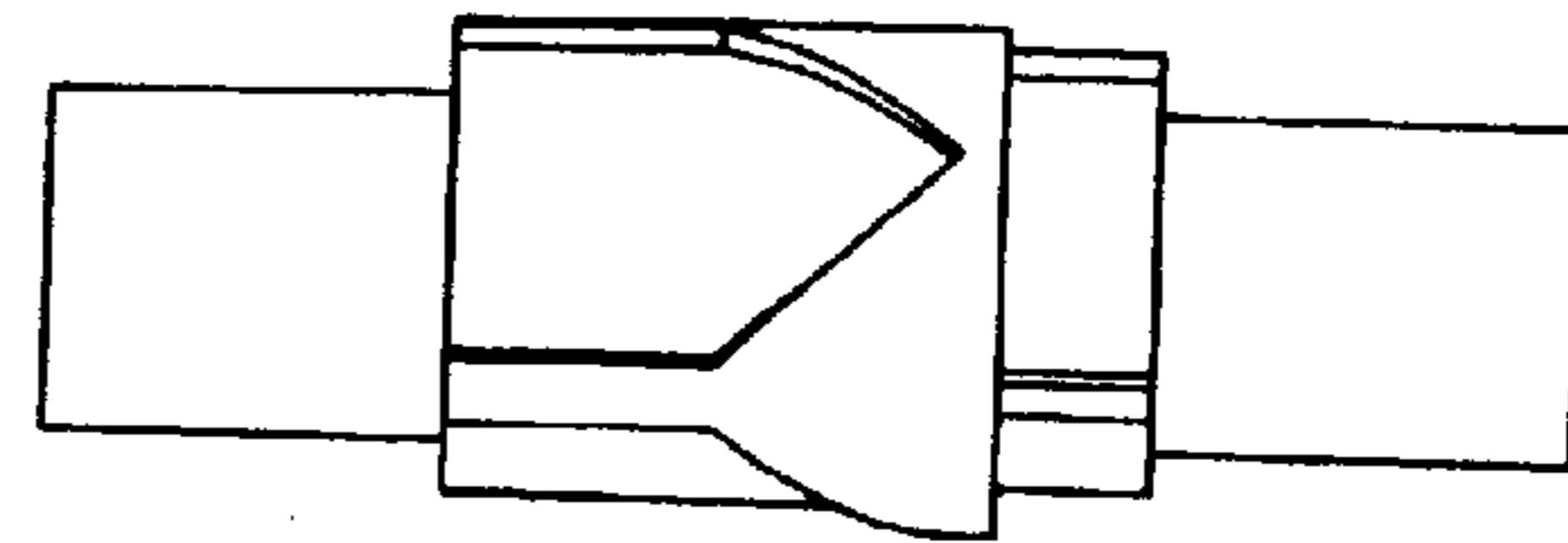


FIG. 4

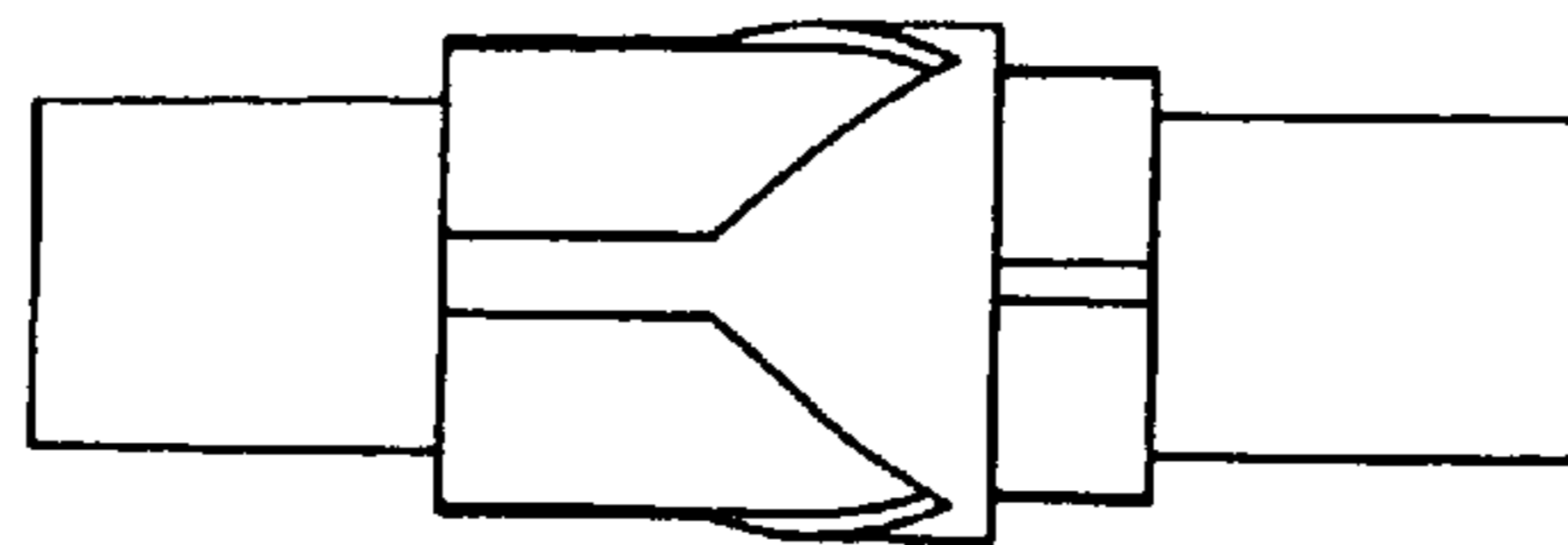


FIG. 5

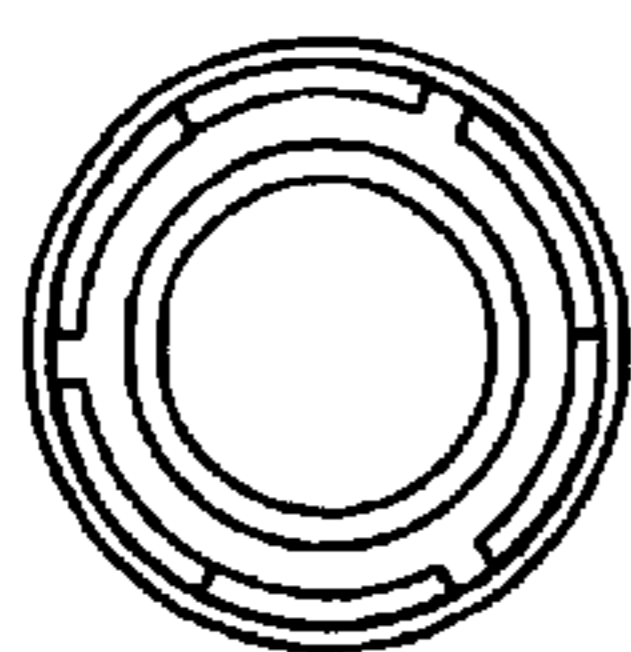


FIG. 6

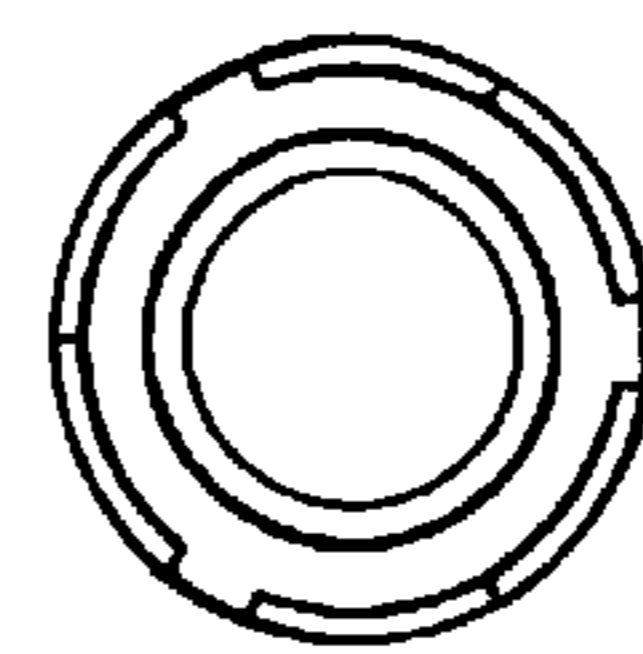


FIG. 7

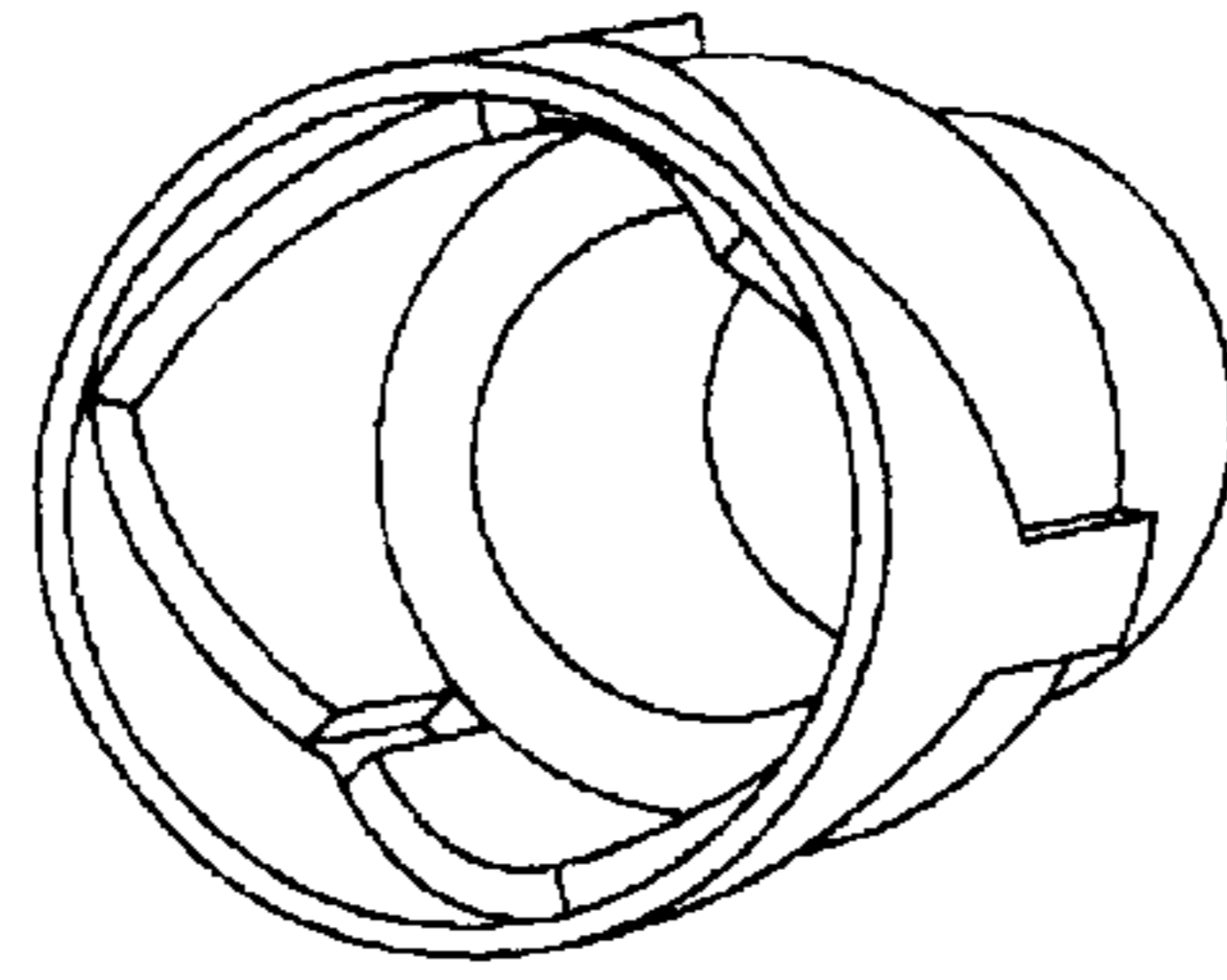


FIG. 8

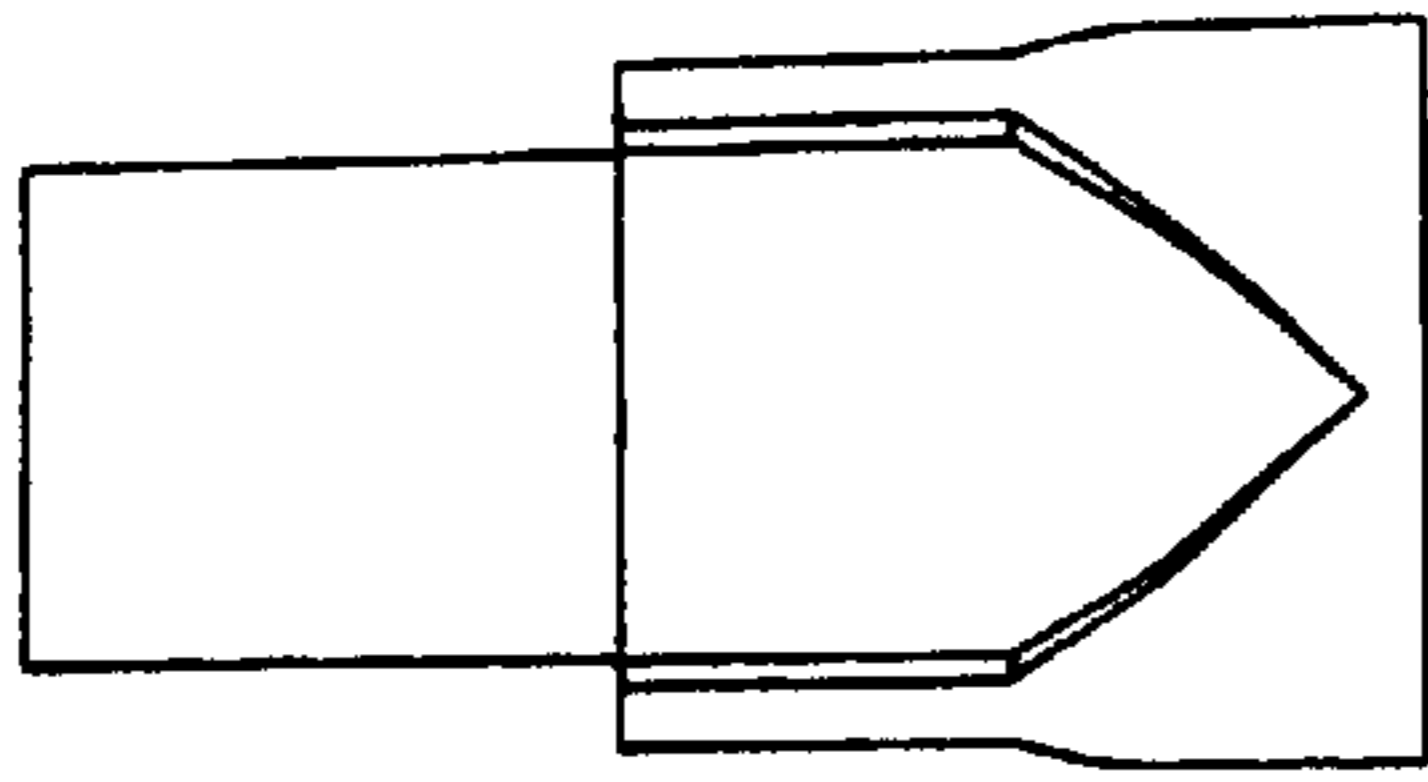


FIG. 9

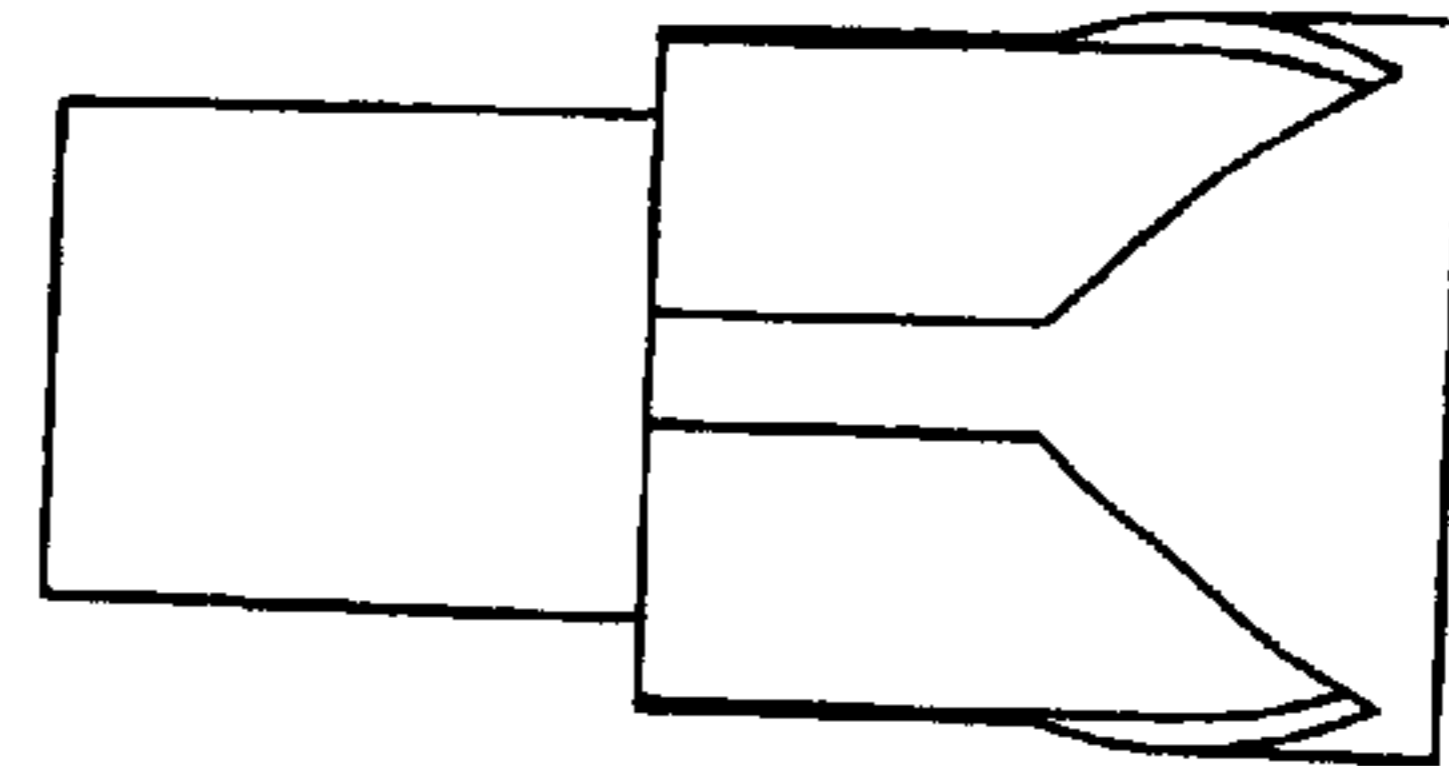


FIG. 12

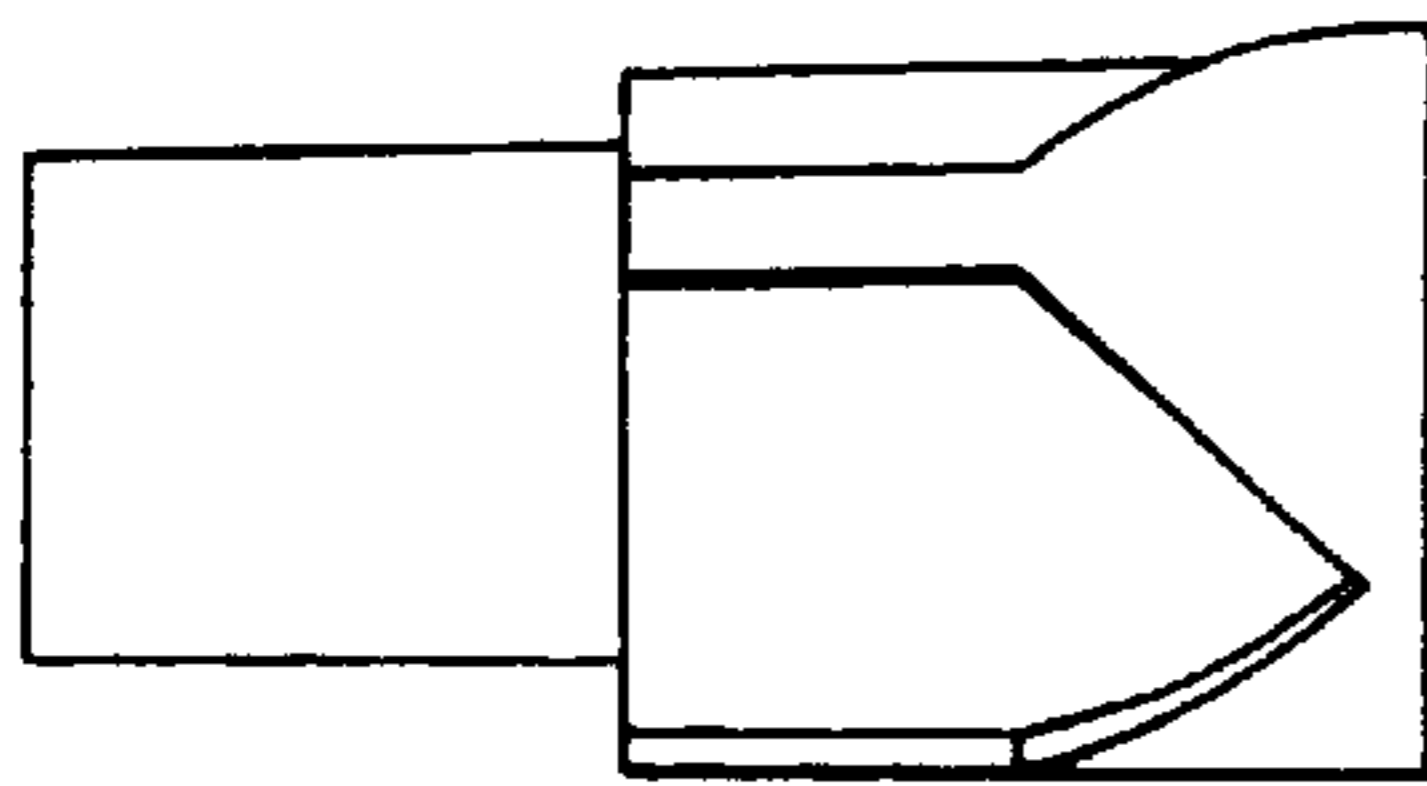


FIG. 10

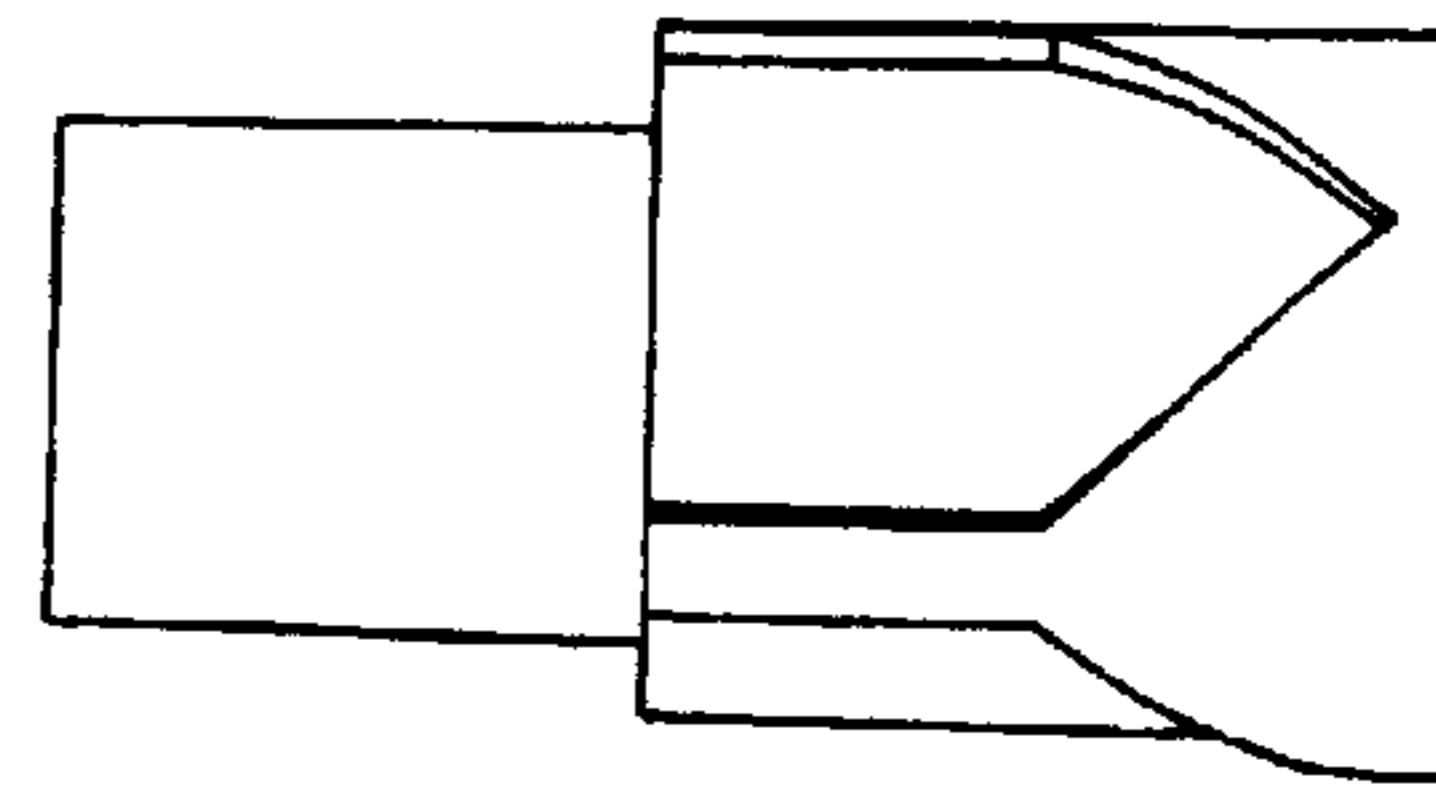


FIG. 11

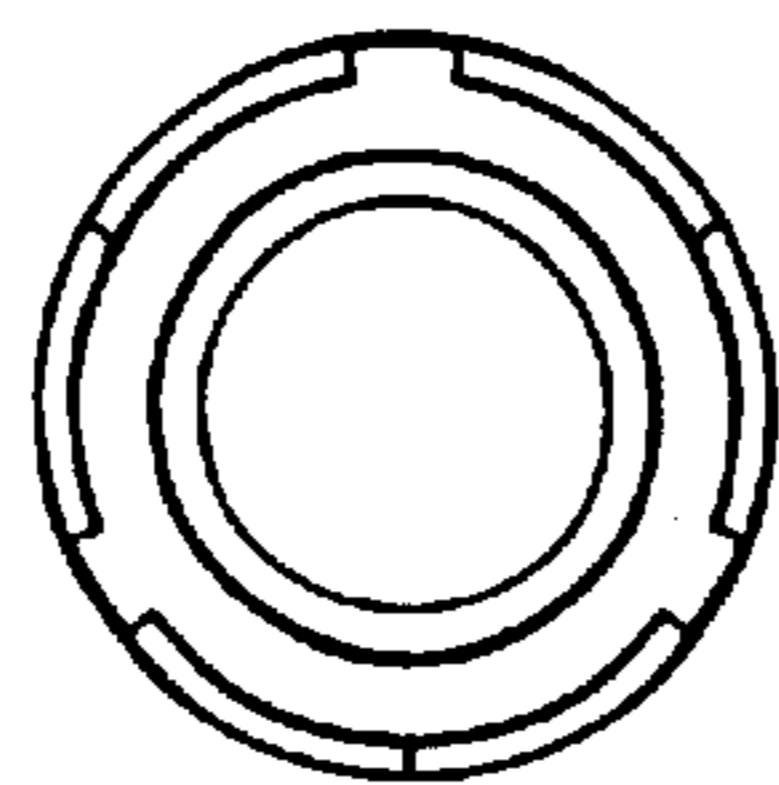


FIG. 13

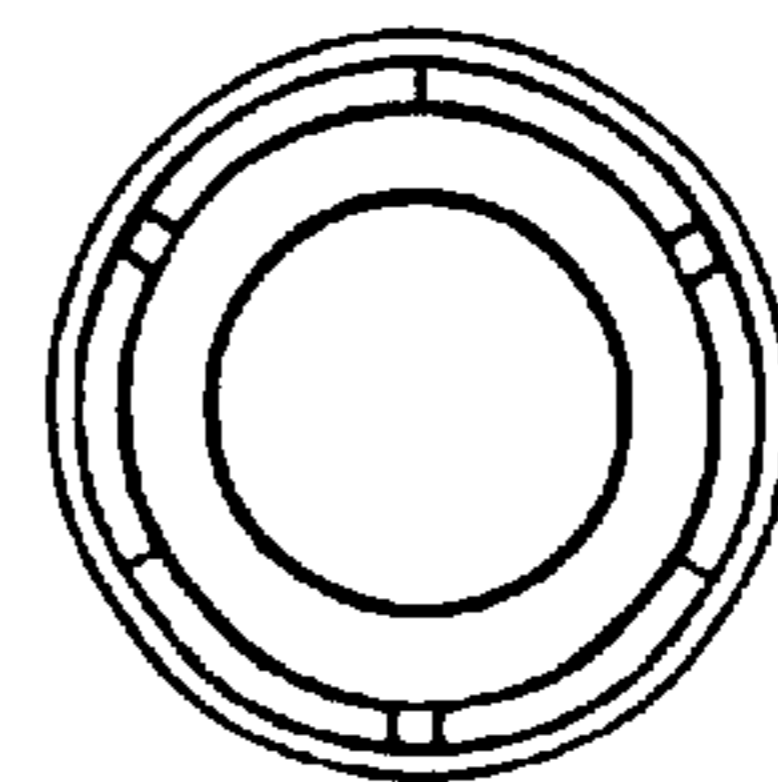


FIG. 14

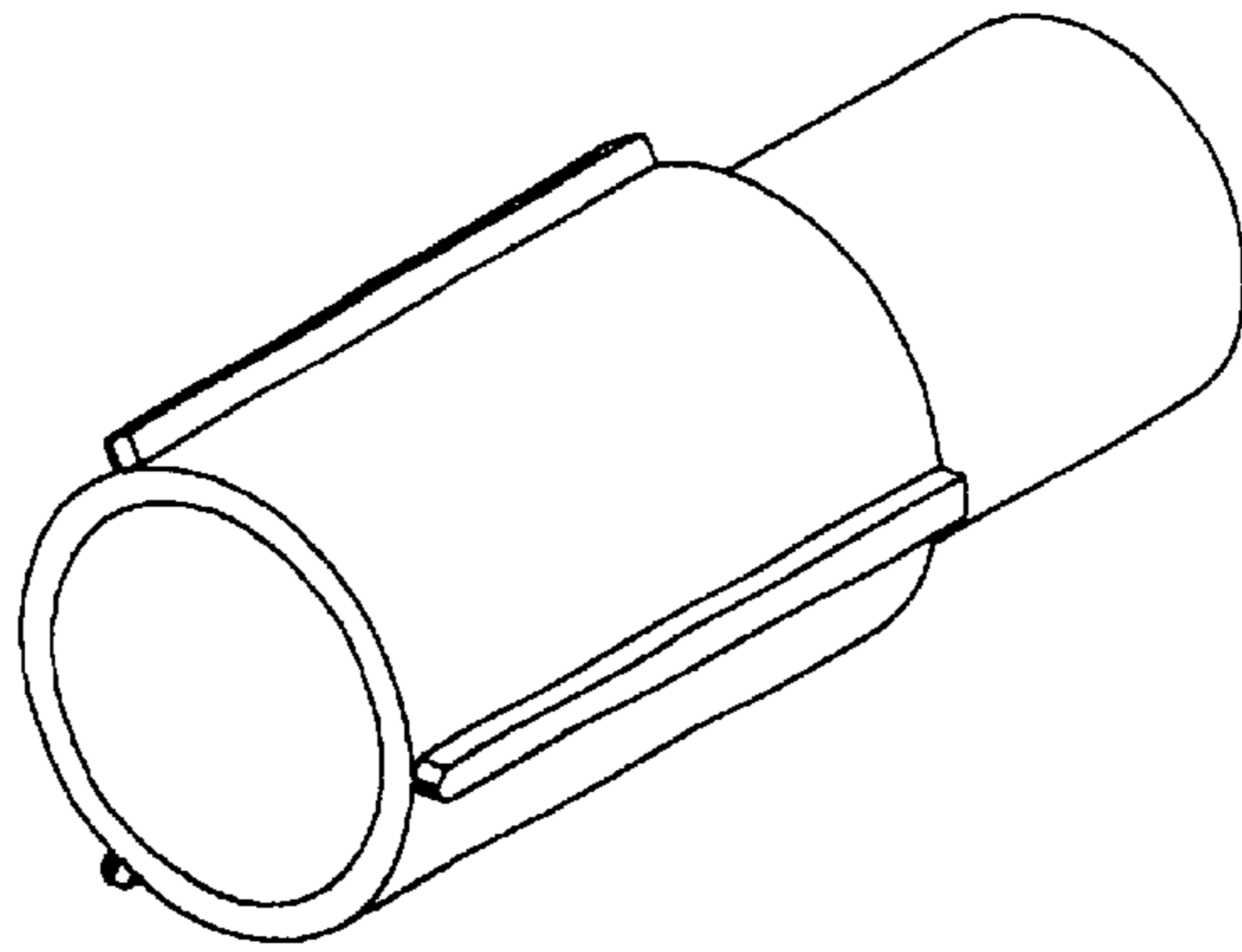


FIG. 15

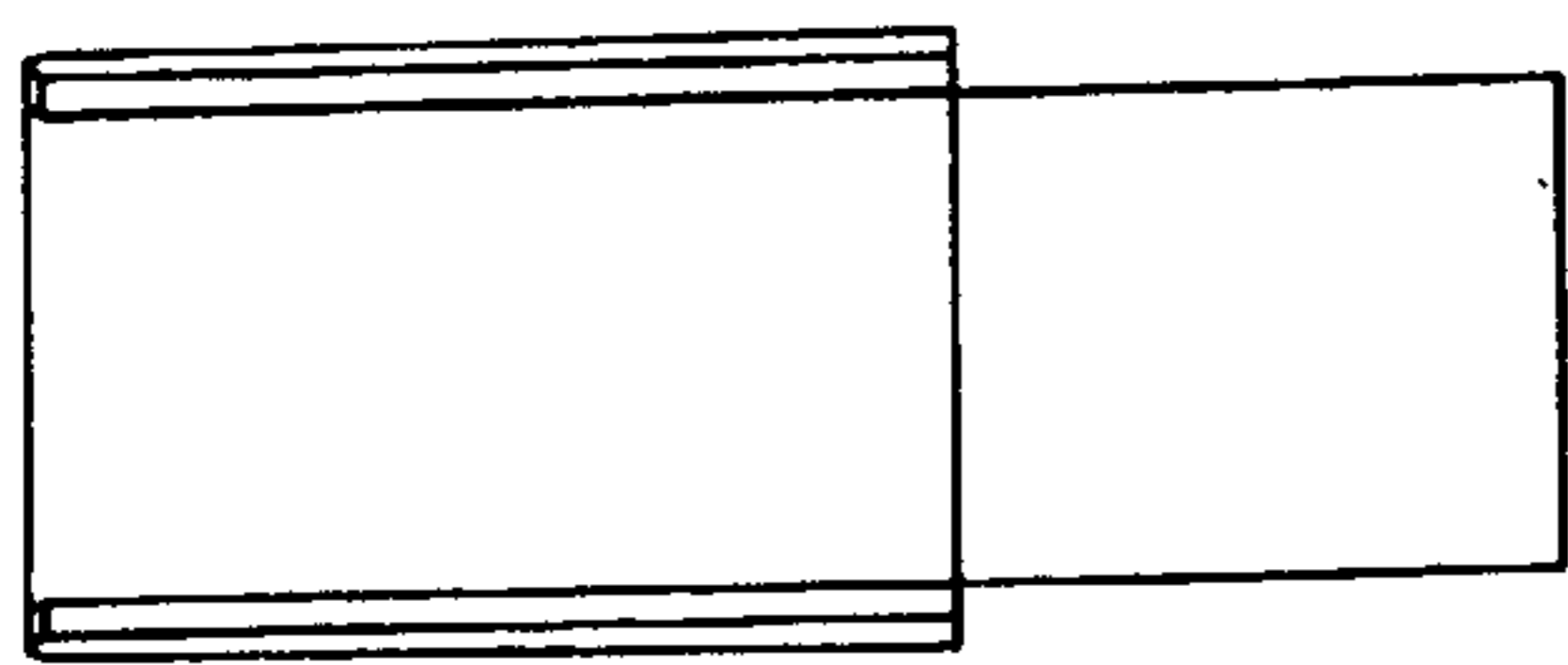


FIG. 16

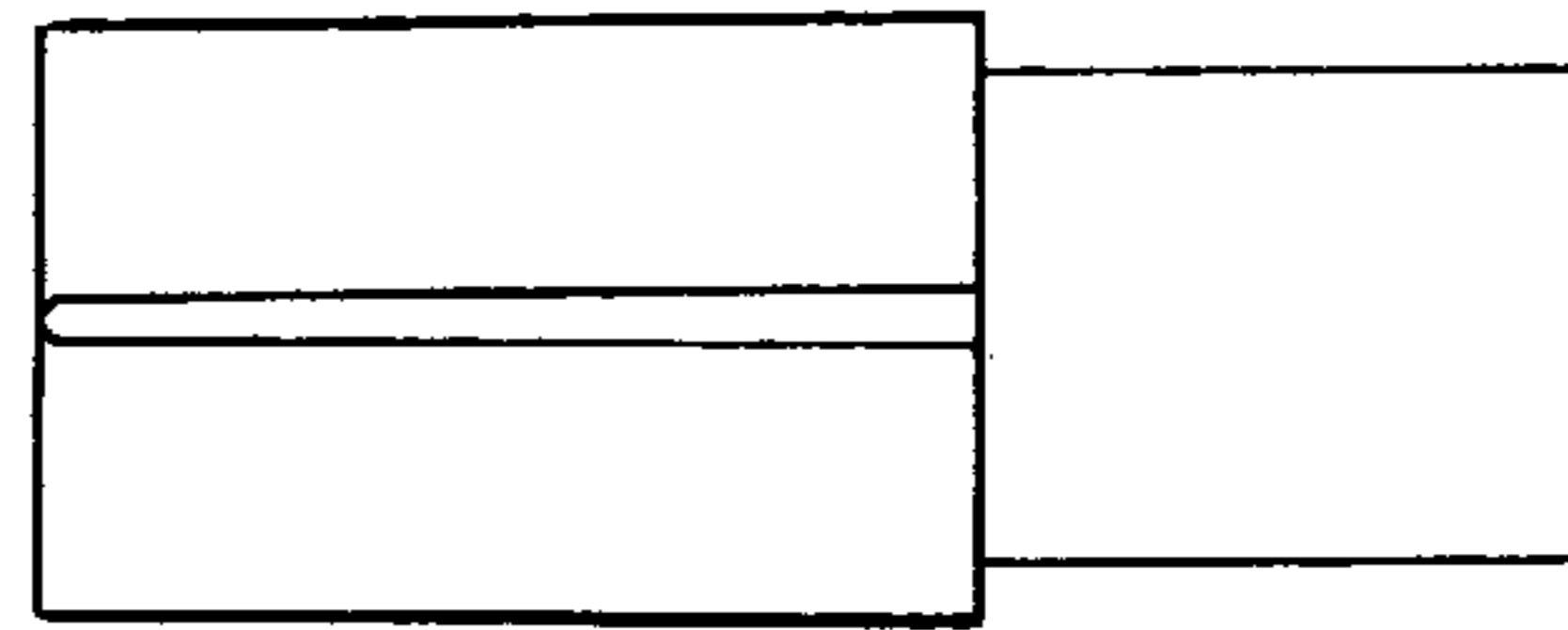


FIG. 19

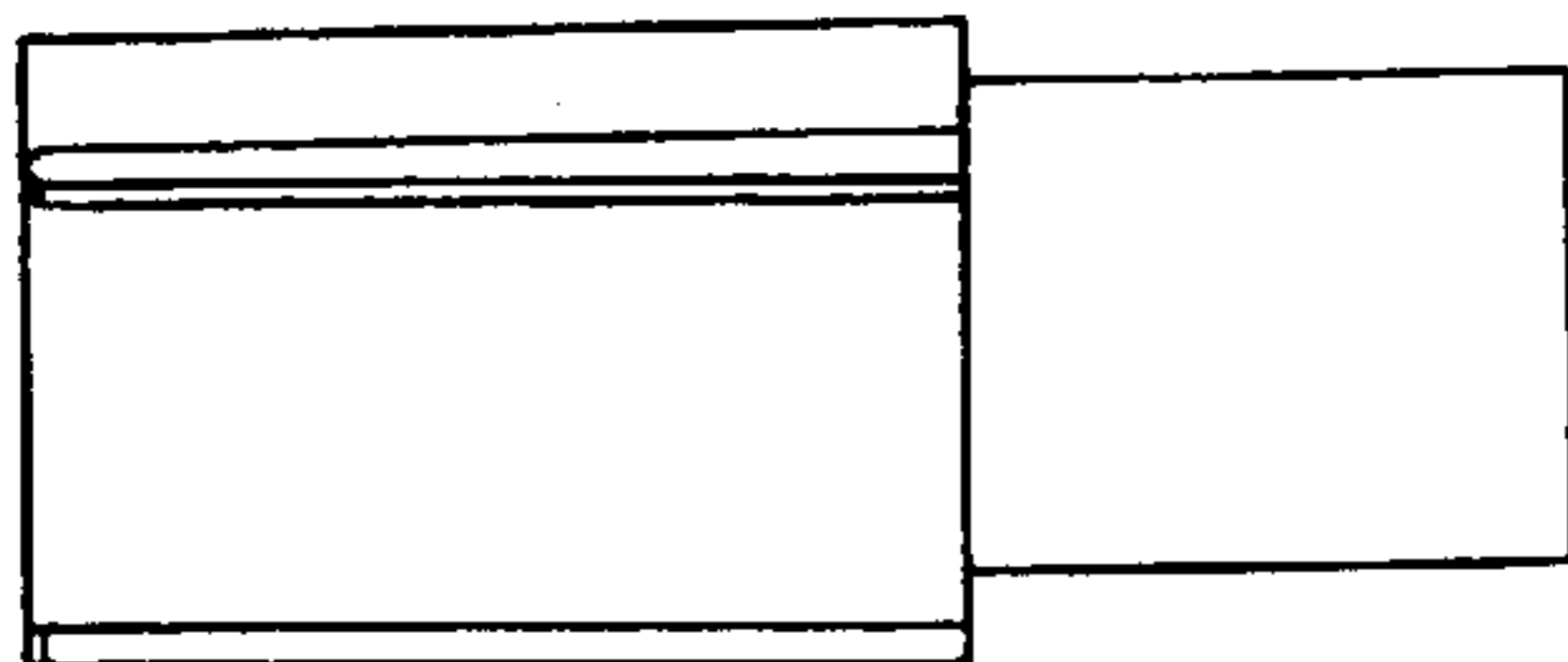


FIG. 17

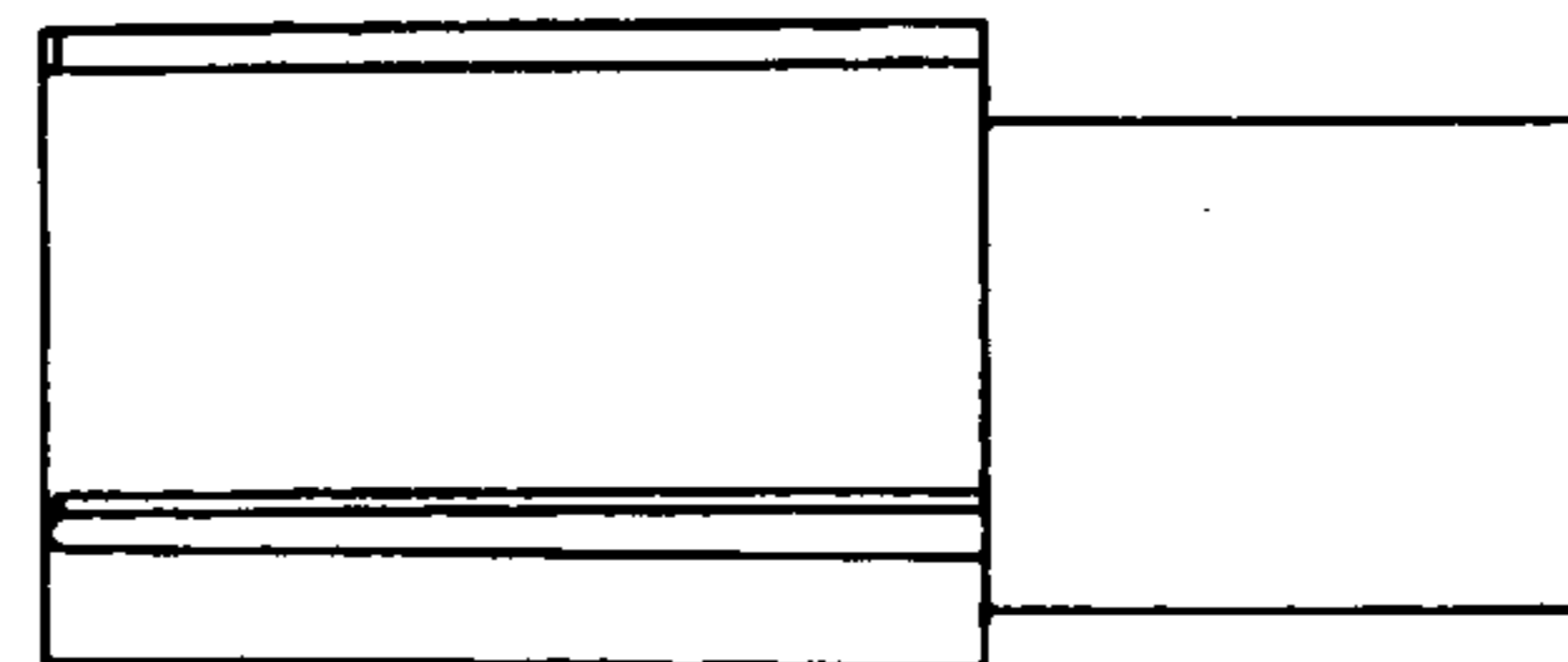


FIG. 18

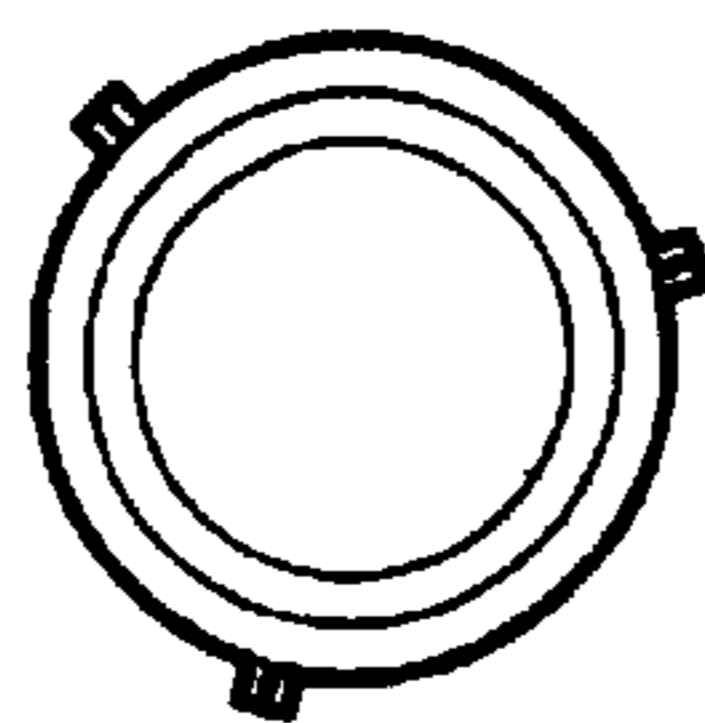


FIG. 20

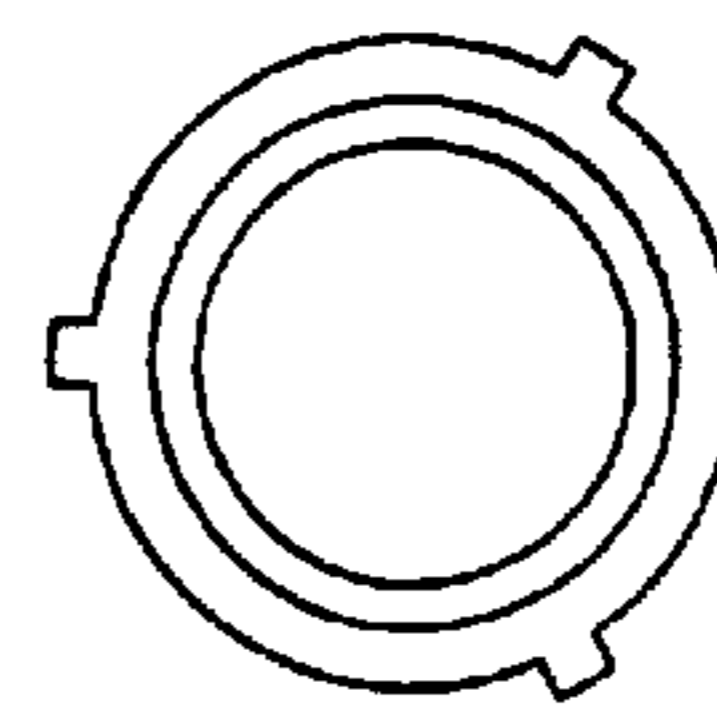


FIG. 21