

US00D522099S

(12) **United States Design Patent**  
**Fritz**

(10) **Patent No.:** **US D522,099 S**

(45) **Date of Patent:** **\*\* May 30, 2006**

(54) **FAUCET HANDLE**

(75) Inventor: **Seth A. Fritz**, Kendallville, IN (US)

(73) Assignee: **Masco Corporation of Indiana**,  
Indianapolis, IN (US)

(\*\*) Term: **14 Years**

(21) Appl. No.: **29/220,031**

(22) Filed: **Dec. 26, 2004**

(51) **LOC (8) Cl.** ..... **23-01**

(52) **U.S. Cl.** ..... **D23/252**

(58) **Field of Classification Search** ..... D23/238-257;  
D8/250-257, 300-322, DIG. 3; 16/110.1;  
4/675-678; 137/801

See application file for complete search history.

(56) **References Cited**

**U.S. PATENT DOCUMENTS**

D248,564 S \* 7/1978 Doman ..... D23/257  
D364,216 S \* 11/1995 Hill et al. .... D23/252  
D438,937 S \* 3/2001 Tolosa ..... D23/252

D484,574 S \* 12/2003 Spangler ..... D23/252  
D505,995 S \* 6/2005 Kulig et al. .... D23/252  
D510,128 S \* 9/2005 Gilbert ..... D23/252

\* cited by examiner

*Primary Examiner*—Louis S. Zarfes

*Assistant Examiner*—G. Andoll

(74) *Attorney, Agent, or Firm*—Kwadjo Adueai-Poku;  
Lloyd D. Doigan

(57) **CLAIM**

The ornamental design for a faucet handle, as shown and described.

**DESCRIPTION**

FIG. 1 is a front perspective view of a faucet handle showing my design;

FIG. 2 is a right side elevational view thereof, the left side elevational view being a mirror image thereof;

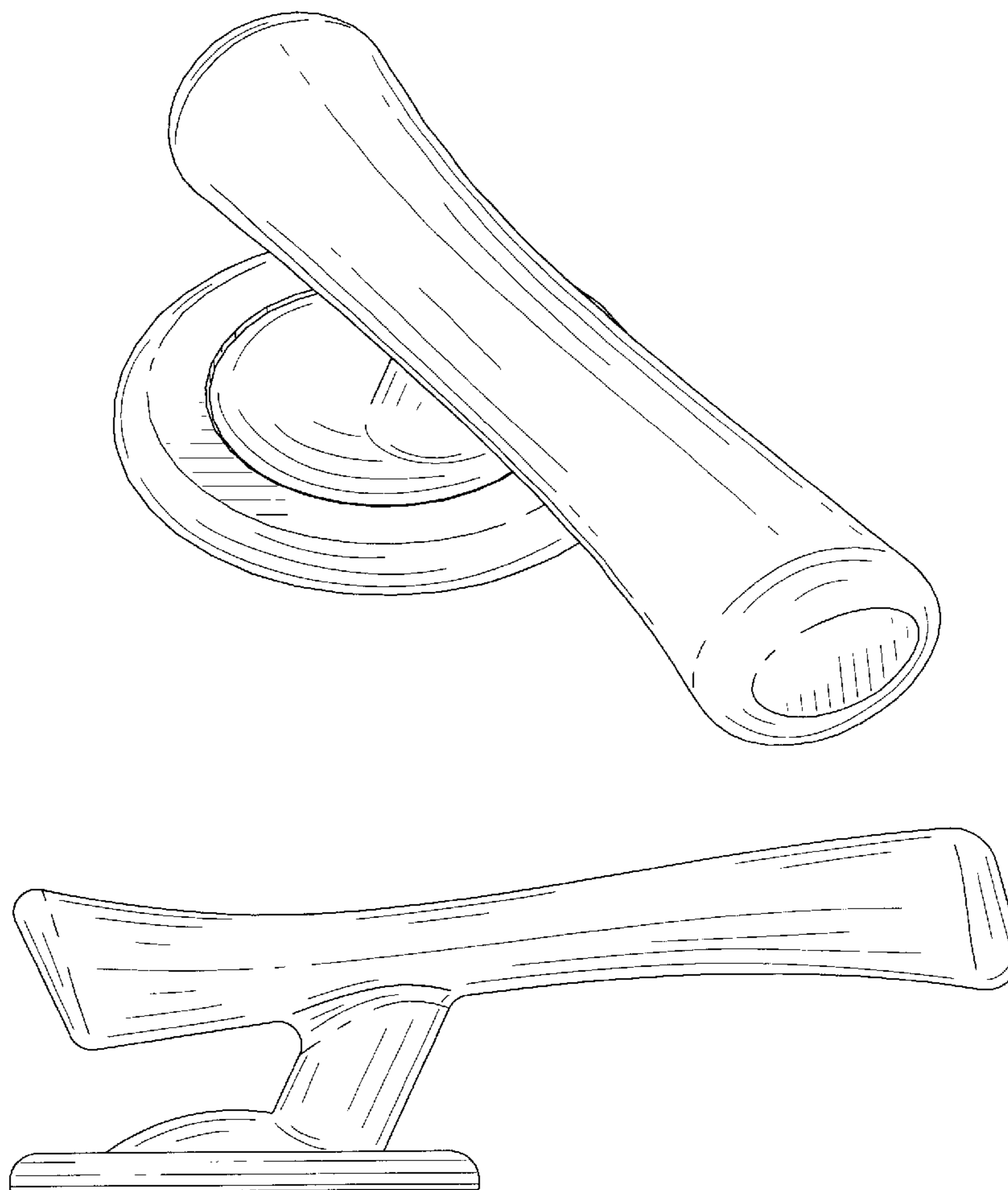
FIG. 3 is a front elevational view thereof;

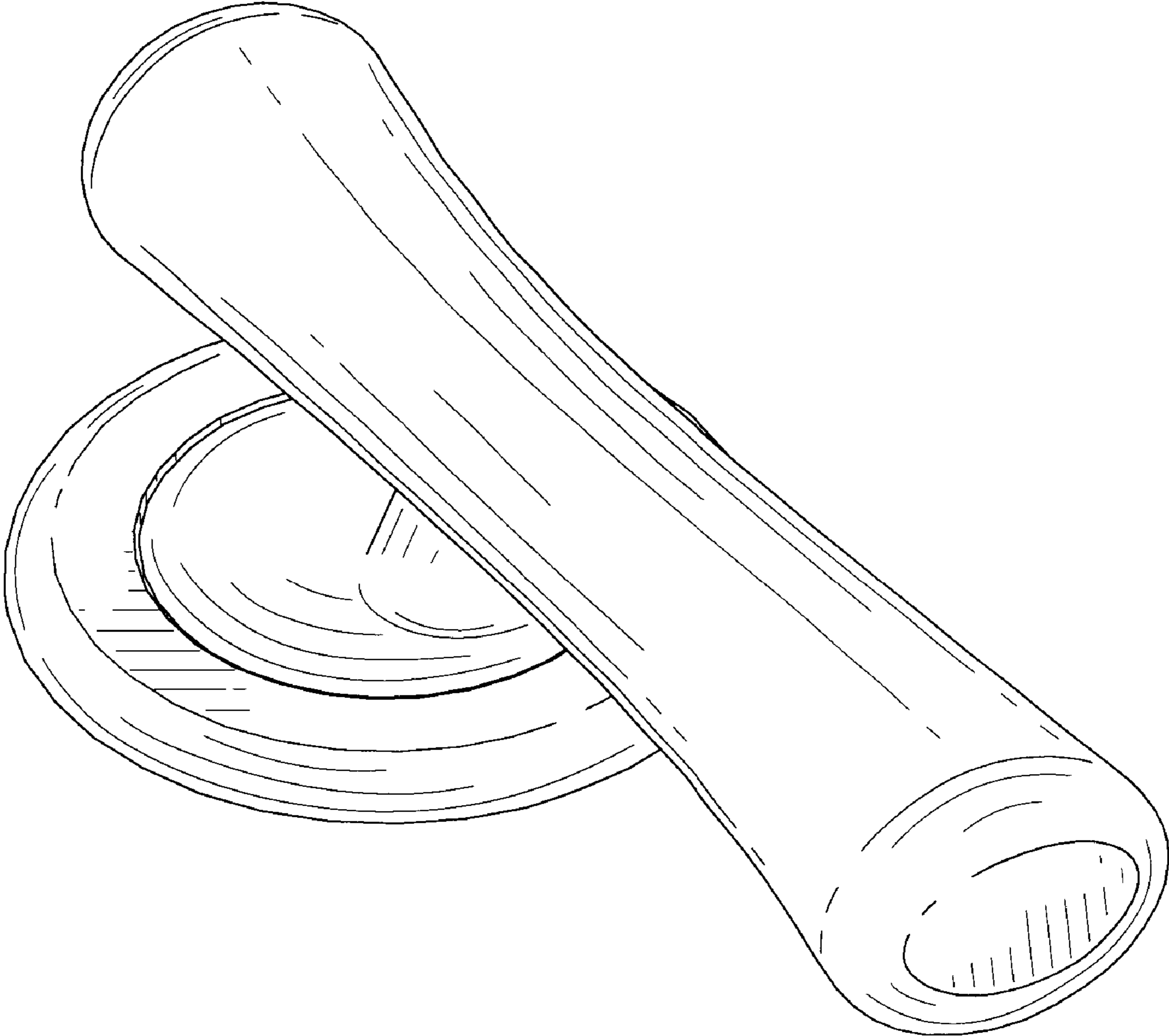
FIG. 4 is a rear elevational view thereof;

FIG. 5 is a top plan view thereof; and,

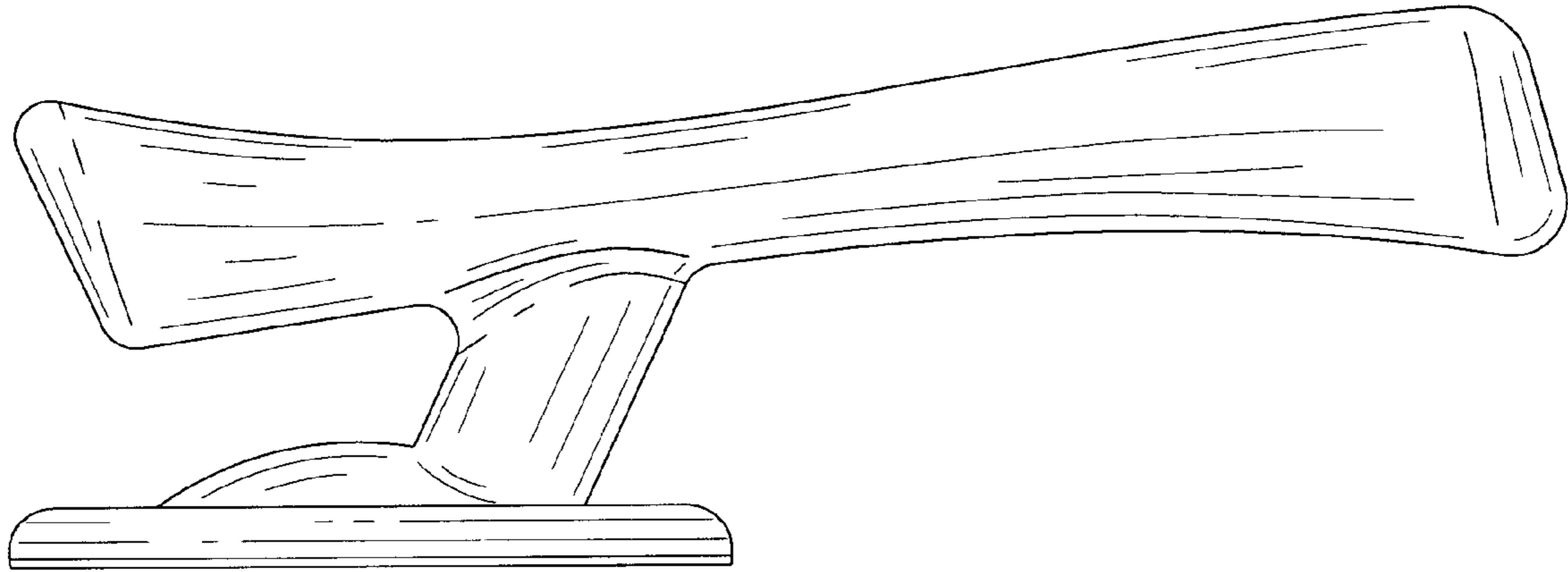
FIG. 6 is a front perspective view thereof.

**1 Claim, 6 Drawing Sheets**

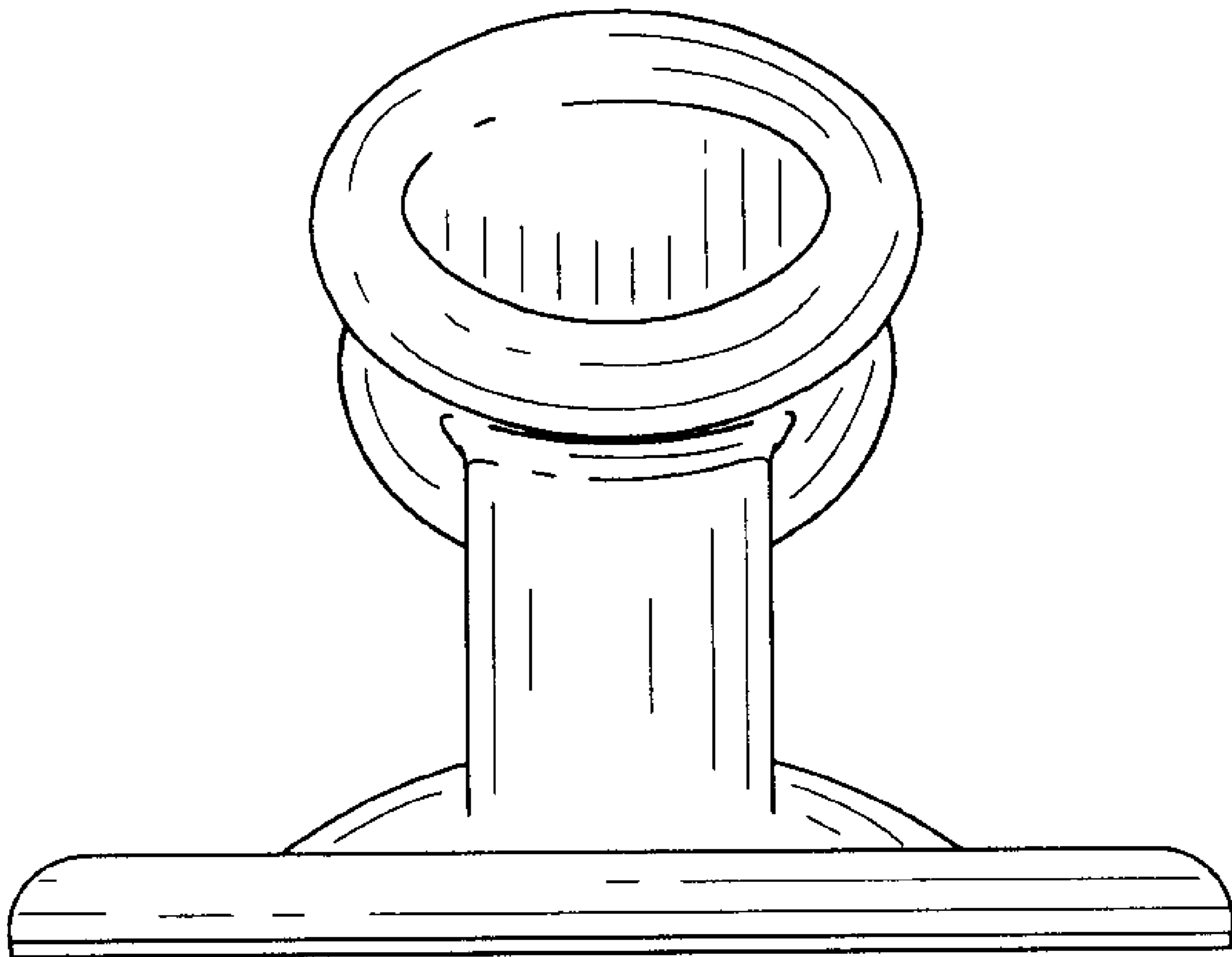




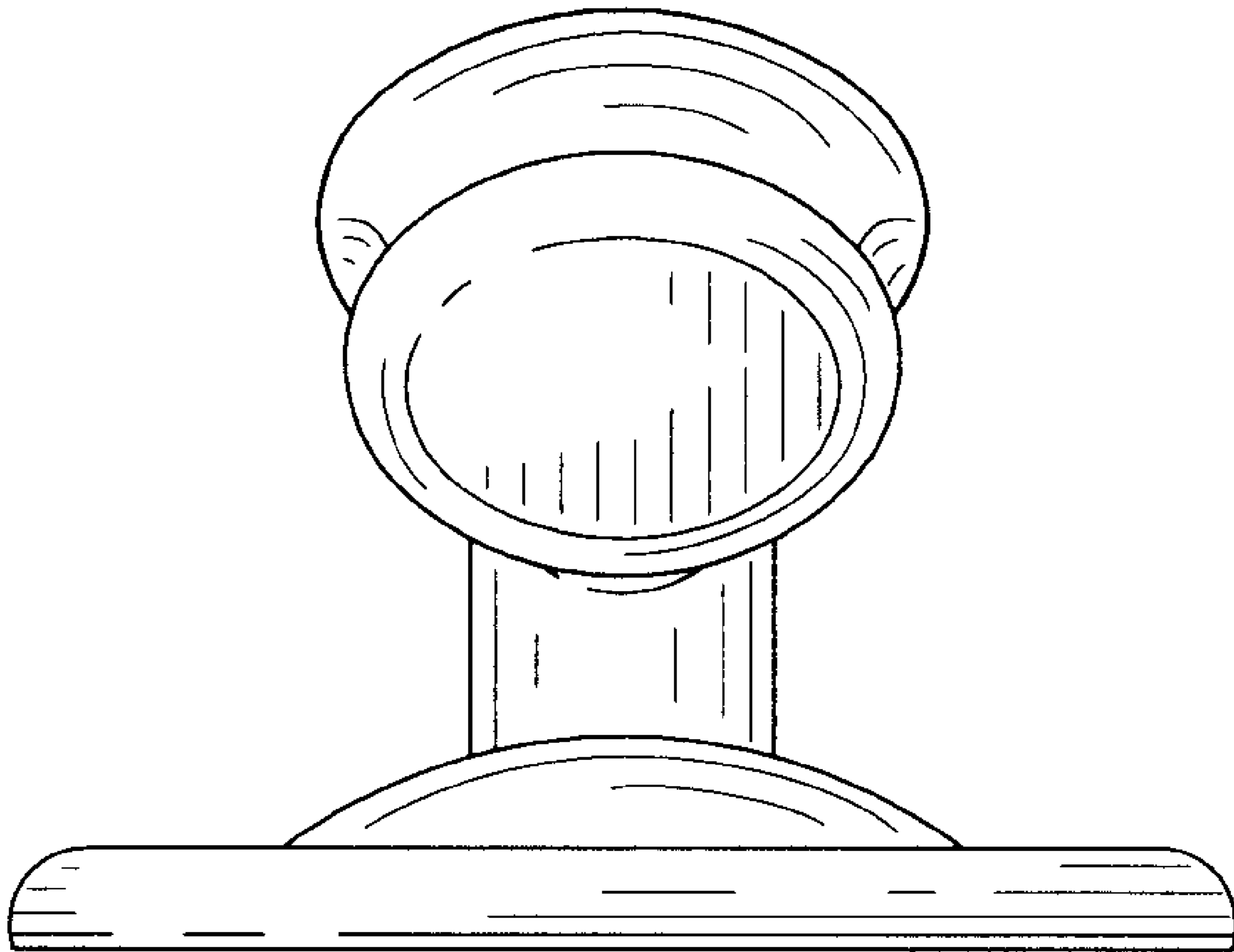
**FIG. 1**



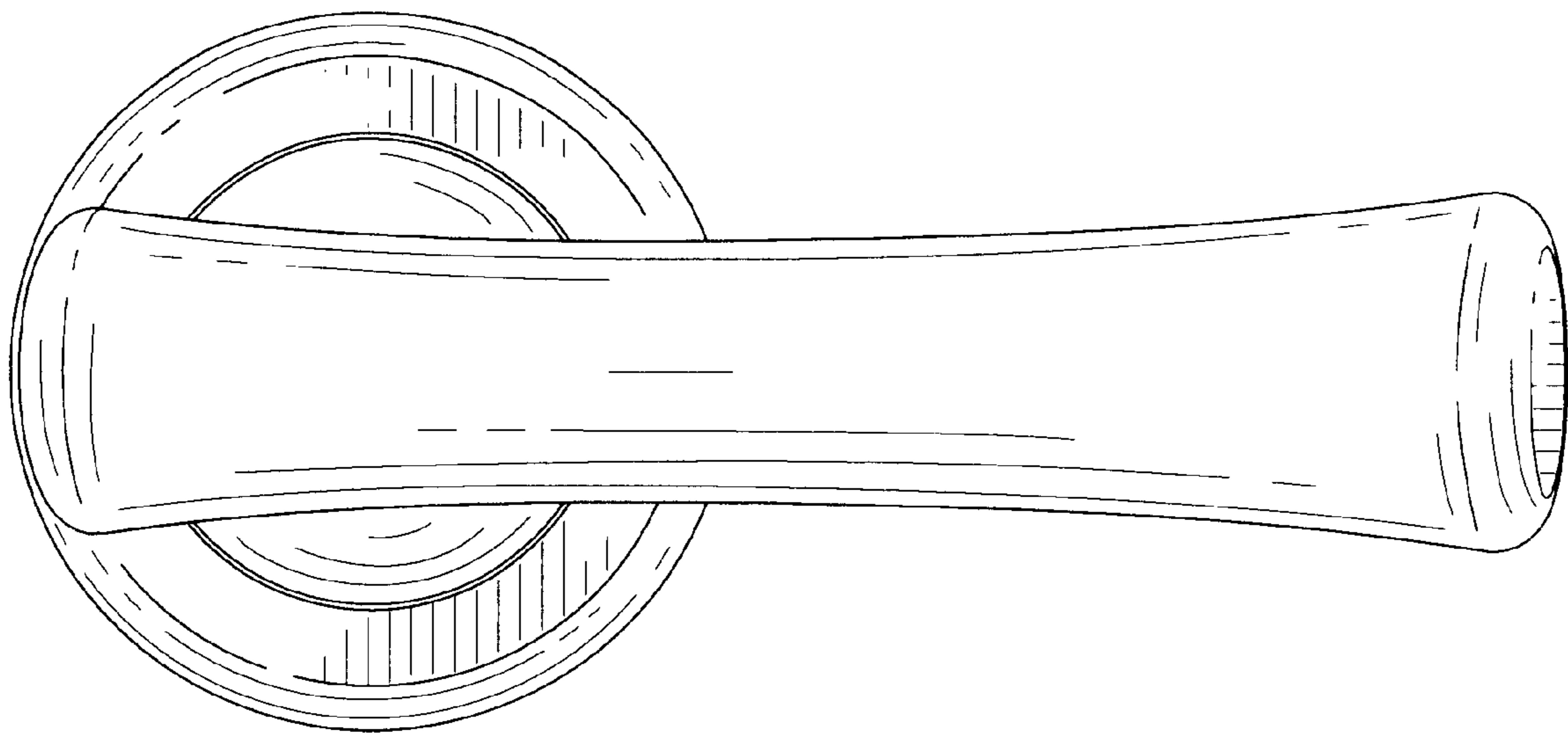
**FIG. 2**



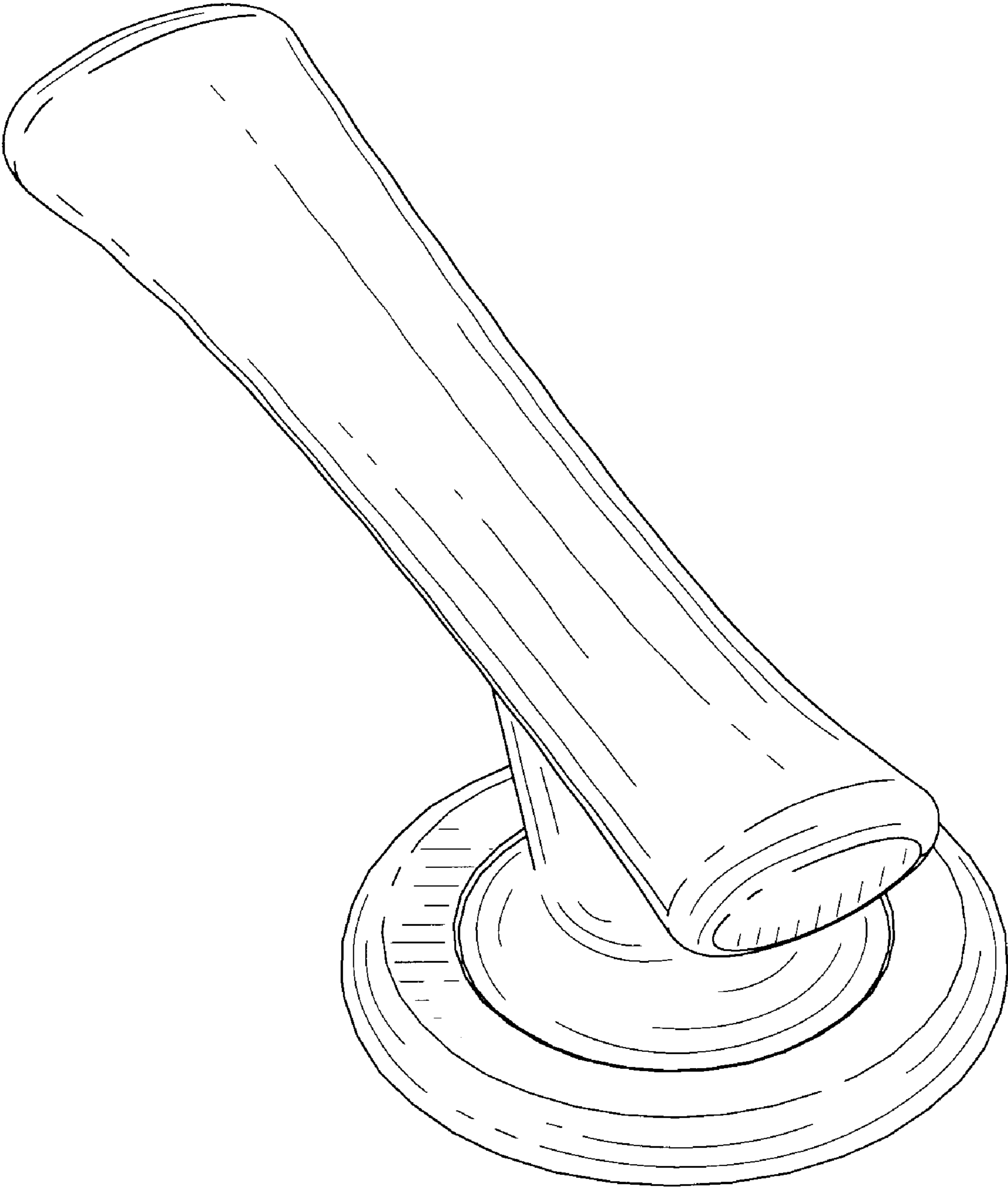
**FIG. 3**



**FIG. 4**



**FIG. 5**



**FIG. 6**