

US00D522094S

(12) **United States Design Patent**  
**Koury et al.**

(10) **Patent No.:** **US D522,094 S**

(45) **Date of Patent:** **\*\* May 30, 2006**

(54) **FAUCET ESCUTCHEON**  
(75) Inventors: **Steffen Koury**, Charlestown, MA (US);  
**John Schaffeld**, Marshfield, MA (US)

D383,194 S \* 9/1997 Doughty et al. .... D23/249  
D418,580 S \* 1/2000 Warshawsky et al. .... D23/242  
D421,291 S \* 2/2000 Fabian et al. .... D23/243  
D477,656 S \* 7/2003 Svendsen et al. .... D23/249

(73) Assignee: **Masco Corporation of Indiana**,  
Indianapolis, IN (US)

\* cited by examiner

(\*\*) Term: **14 Years**

*Primary Examiner*—Ian Simmons

*Assistant Examiner*—Maurice Stevens

(74) *Attorney, Agent, or Firm*—Kwadjo Adusei-Poku;  
Lloyd D. Doigan

(21) Appl. No.: **29/218,287**

(22) Filed: **Nov. 30, 2004**

(57) **CLAIM**

The ornamental design for a faucet escutcheon, as shown  
and described.

(51) **LOC (8) Cl.** ..... **23-01**

(52) **U.S. Cl.** ..... **D23/249**

(58) **Field of Classification Search** ..... D23/233–257,  
D23/269; D8/350–353; 4/675–678, 191–193;  
137/801

**DESCRIPTION**

See application file for complete search history.

FIG. 1 is a front perspective view of a faucet escutcheon  
showing our design;

FIG. 2 is a front elevational view thereof;

FIG. 3 is a rear elevational view thereof;

FIG. 4 is a left side elevational view thereof;

FIG. 5 is a right side elevational view thereof; and,

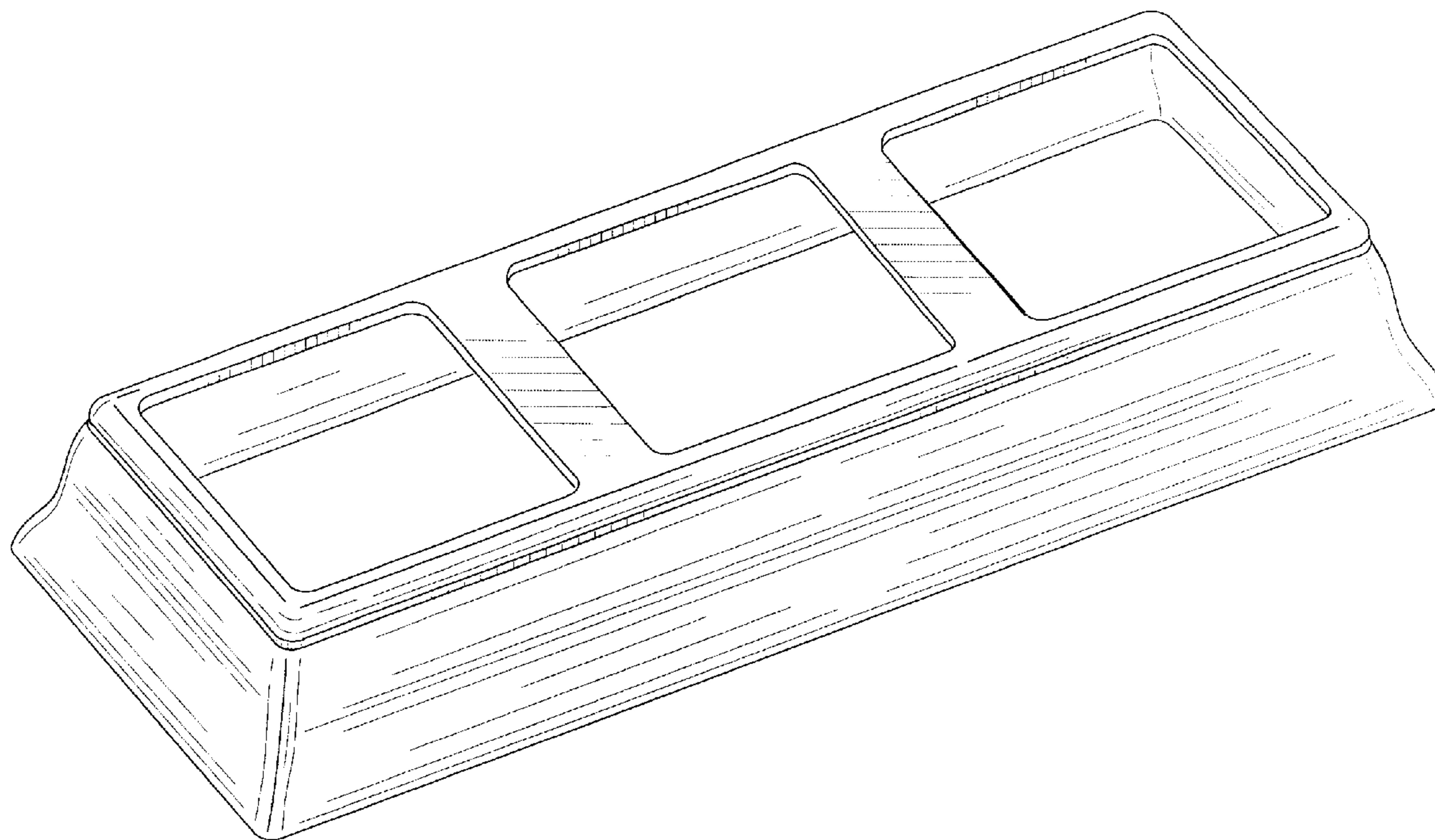
FIG. 6 is a top plan view thereof.

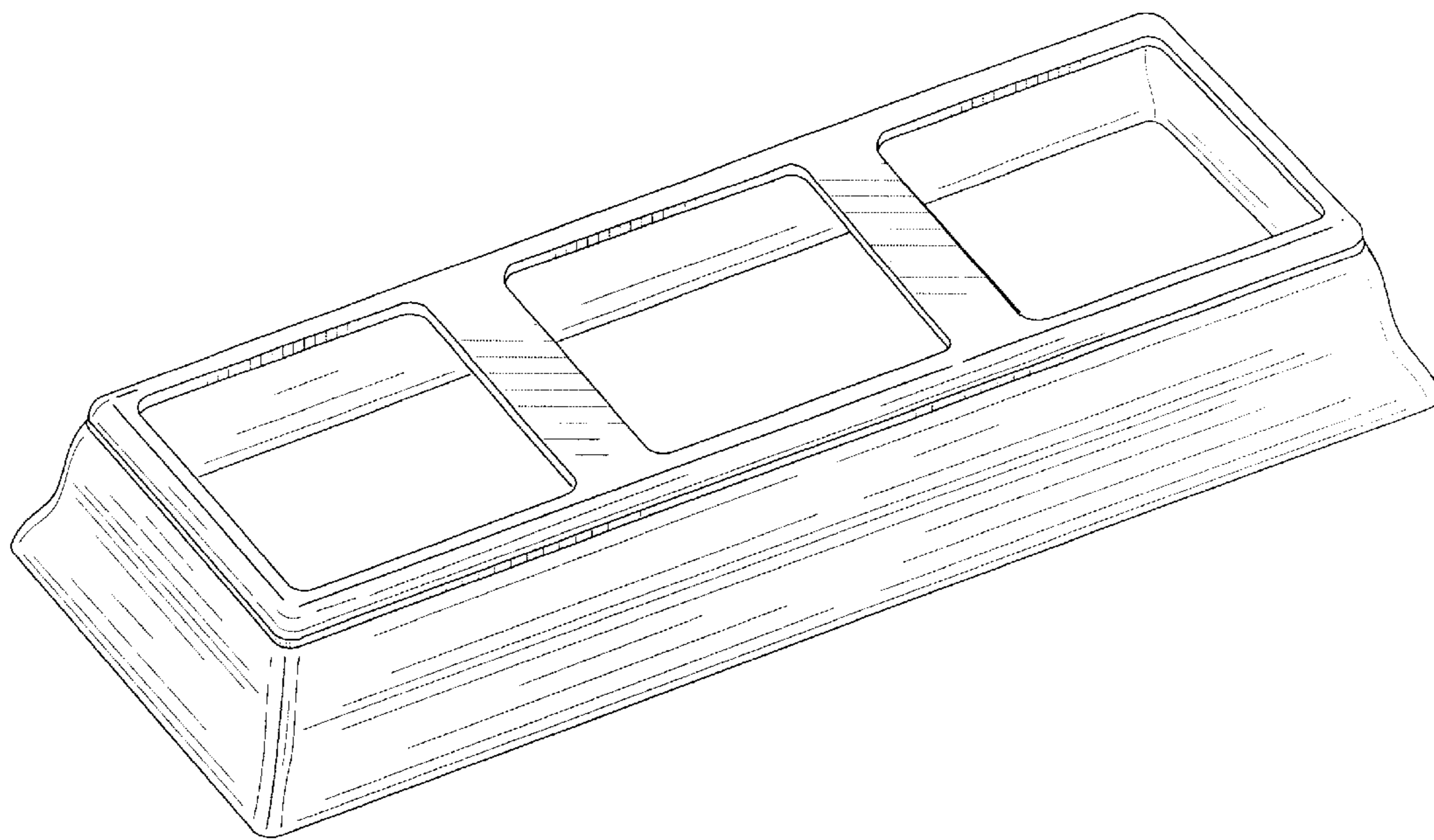
(56) **References Cited**

U.S. PATENT DOCUMENTS

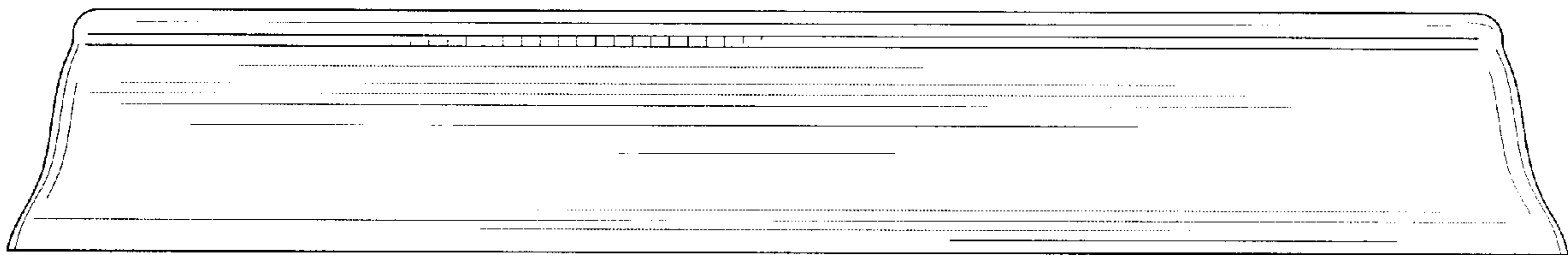
D276,257 S \* 11/1984 Fabian ..... D23/241  
D297,756 S \* 9/1988 Paul ..... D23/242

**1 Claim, 6 Drawing Sheets**

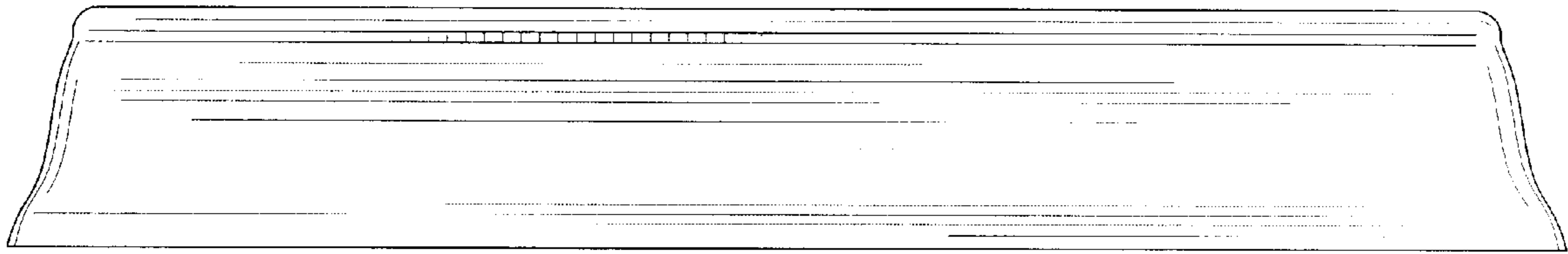




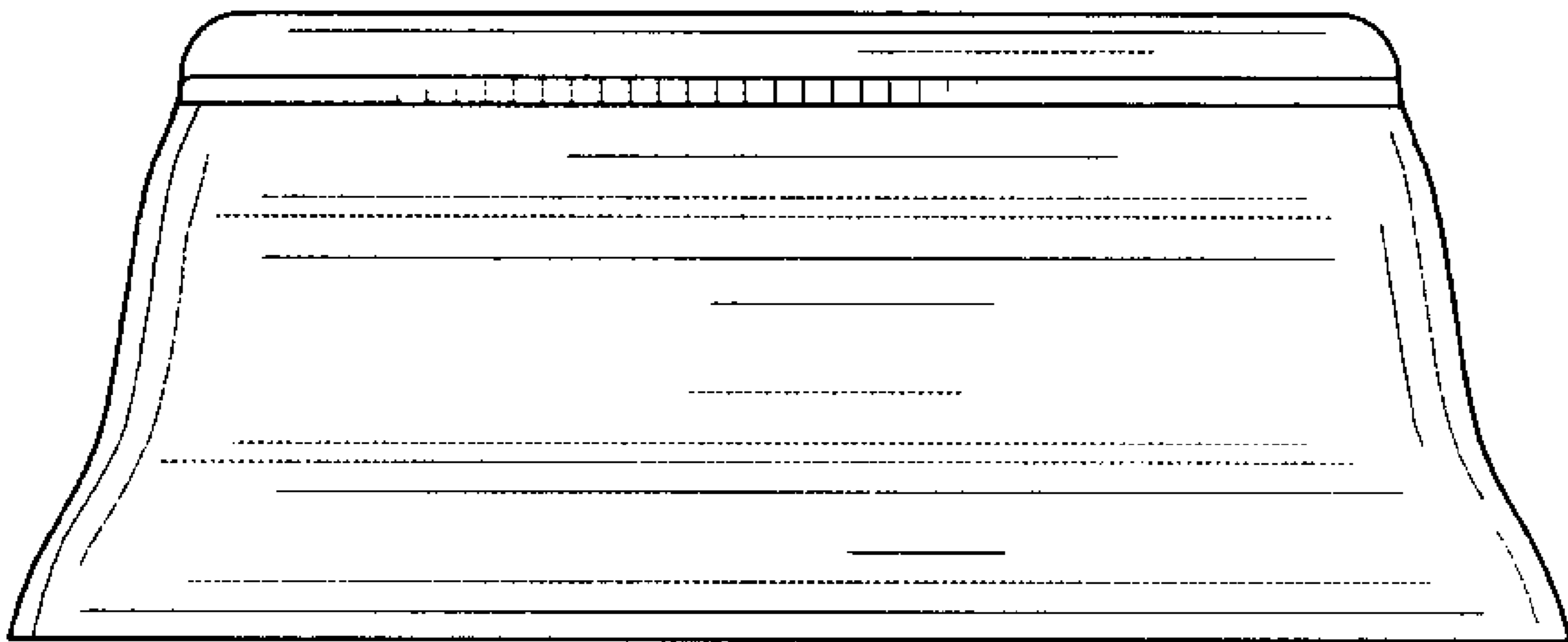
**FIG. 1**



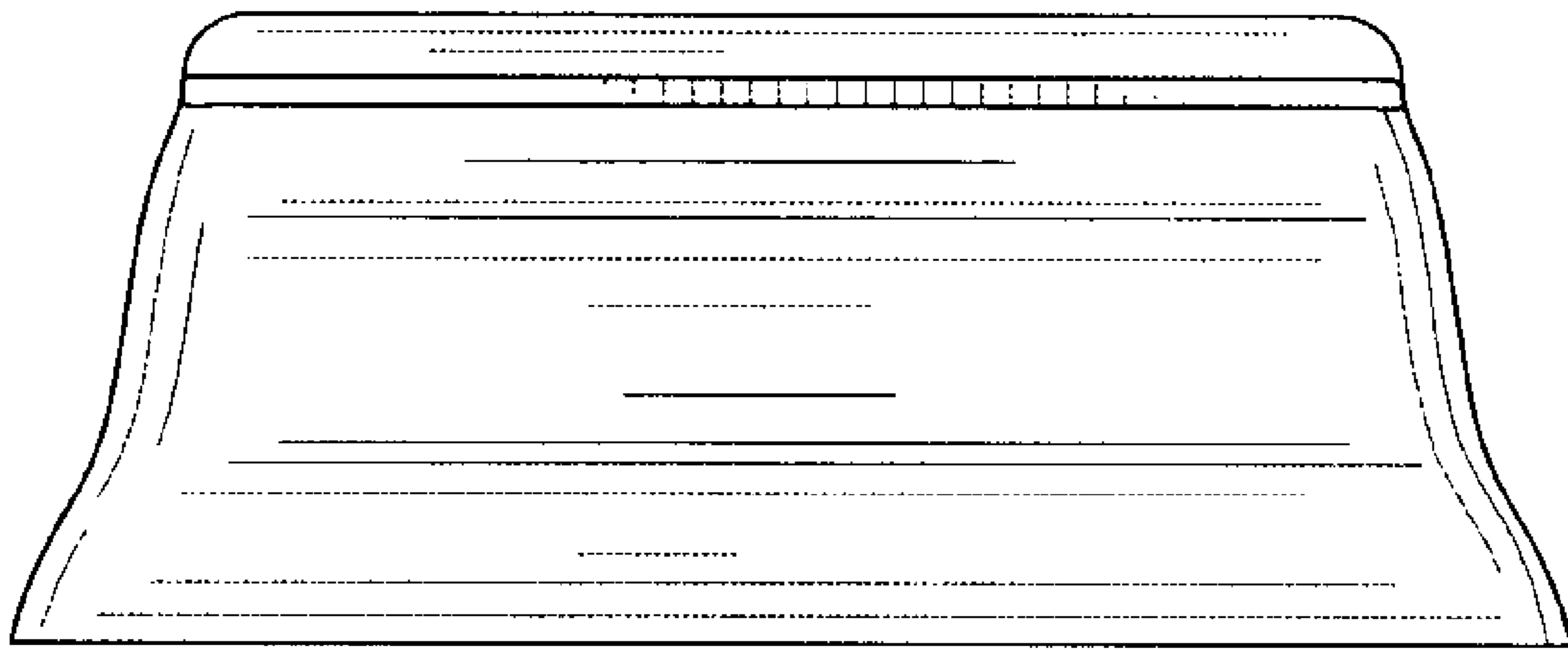
**FIG. 2**



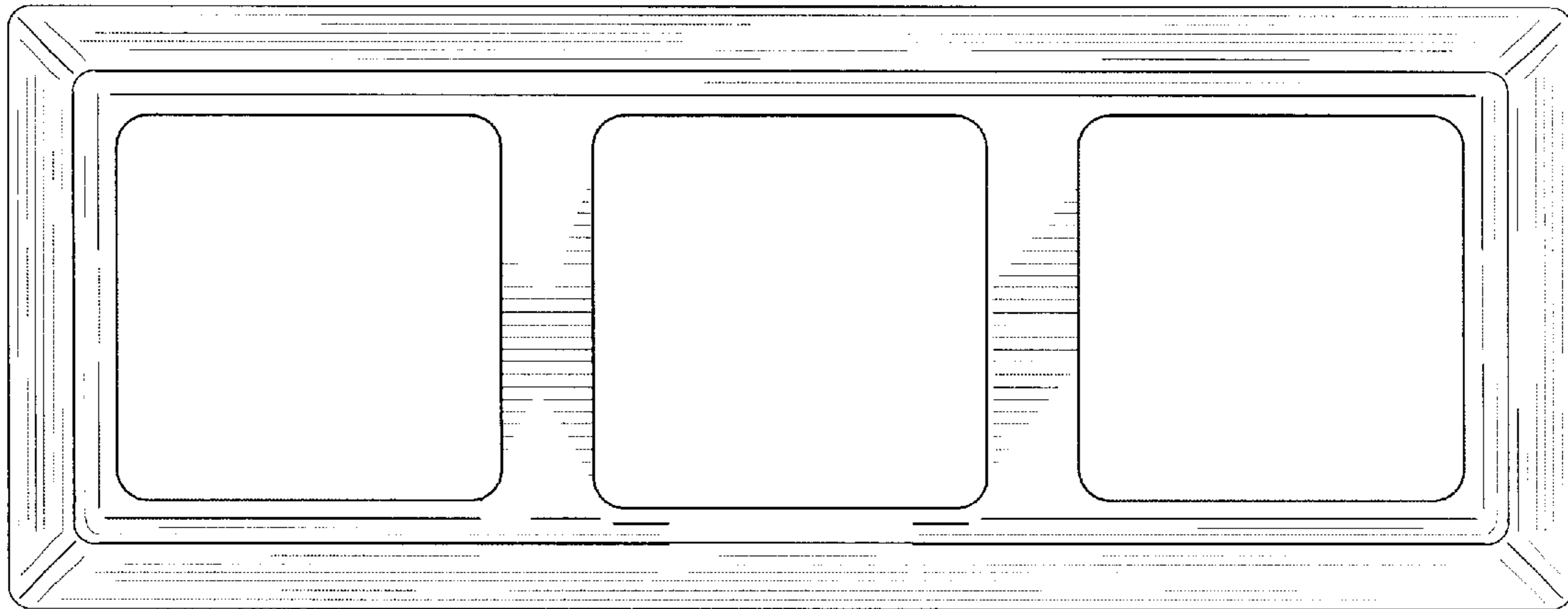
**FIG. 3**



**FIG. 4**



**FIG. 5**



**FIG. 6**