



US00D522091S

(12) **United States Design Patent**
Chang

(10) **Patent No.:** **US D522,091 S**

(45) **Date of Patent:** **** May 30, 2006**

(54) **GOOSENECK FAUCET**

(75) Inventor: **Chi-Chiu Chang**, Taichung (TW)

(73) Assignee: **Anderson R.O. Technology Co., Ltd.**,
Taichung (TW)

(**) Term: **14 Years**

(21) Appl. No.: **29/215,467**

(22) Filed: **Oct. 21, 2004**

(51) **LOC (8) Cl.** **23-01**

(52) **U.S. Cl.** **D23/238**

(58) **Field of Classification Search** D23/238-257;
4/675-678; 137/801

See application file for complete search history.

(56) **References Cited**

U.S. PATENT DOCUMENTS

D329,083 S * 9/1992 Dannenberg D23/238

D337,812 S * 7/1993 Bray D23/238

D350,591 S * 9/1994 Kawakami D23/238

D478,652 S * 8/2003 Lai D23/238

D497,409 S * 10/2004 Valfridsson D23/238

* cited by examiner

Primary Examiner—Louis S. Zarfes

Assistant Examiner—Gregory Andoll

(74) *Attorney, Agent, or Firm*—Troxell Law Office, PLLC

(57) **CLAIM**

The ornamental design for gooseneck faucet, as show and described.

DESCRIPTION

FIG. 1 is a perspective view of gooseneck faucet showing my new design;

FIG. 2 is a front elevational view thereof;

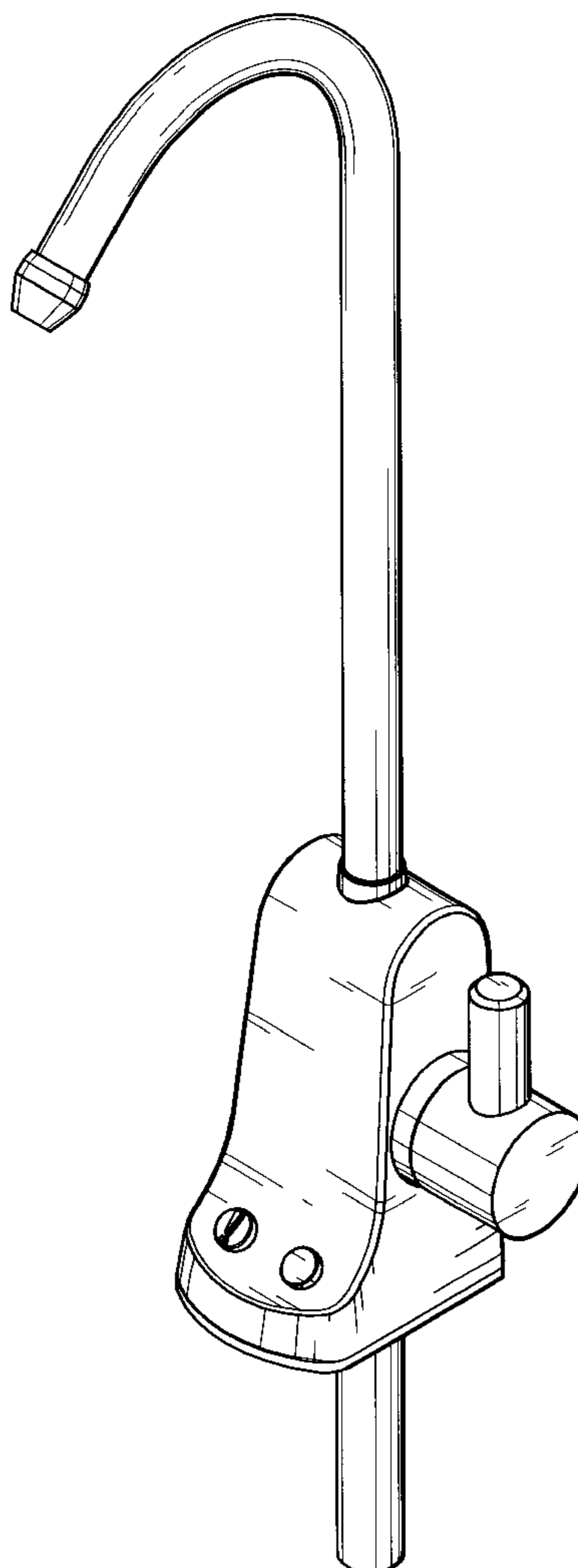
FIG. 3 is a rear elevational view thereof;

FIG. 4 is a left elevational view thereof;

FIG. 5 is a right elevational view thereof; and,

FIG. 6 is a top plan view thereof.

1 Claim, 4 Drawing Sheets



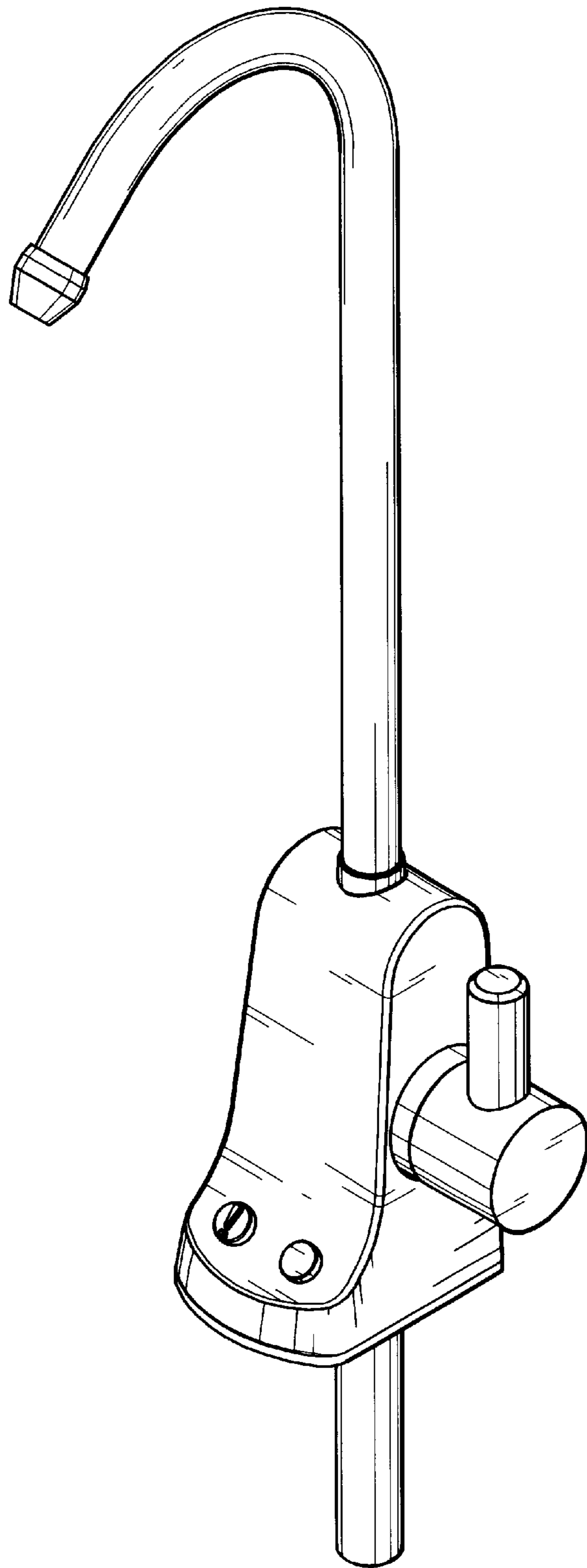


FIG. 1

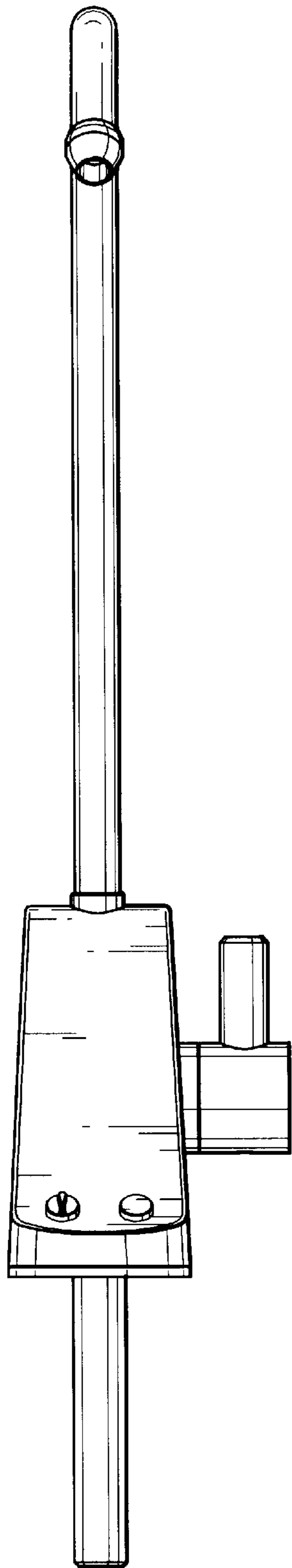


FIG. 2

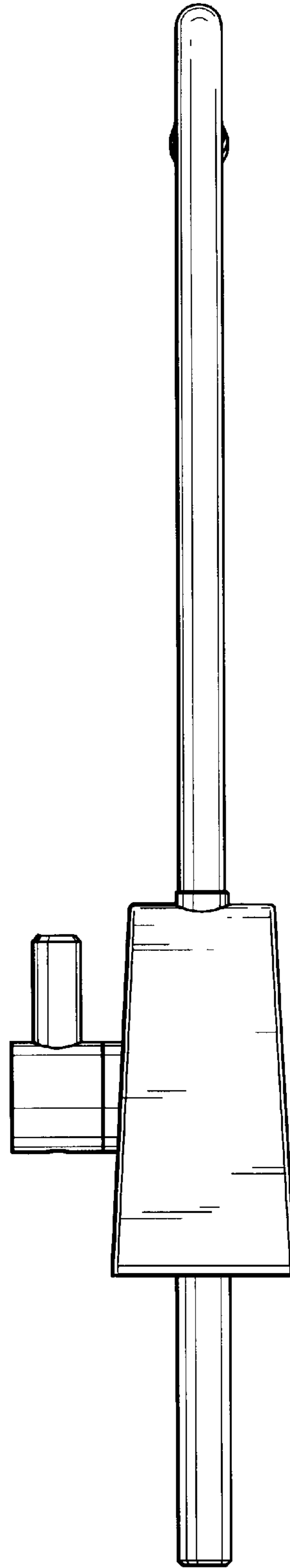


FIG. 3

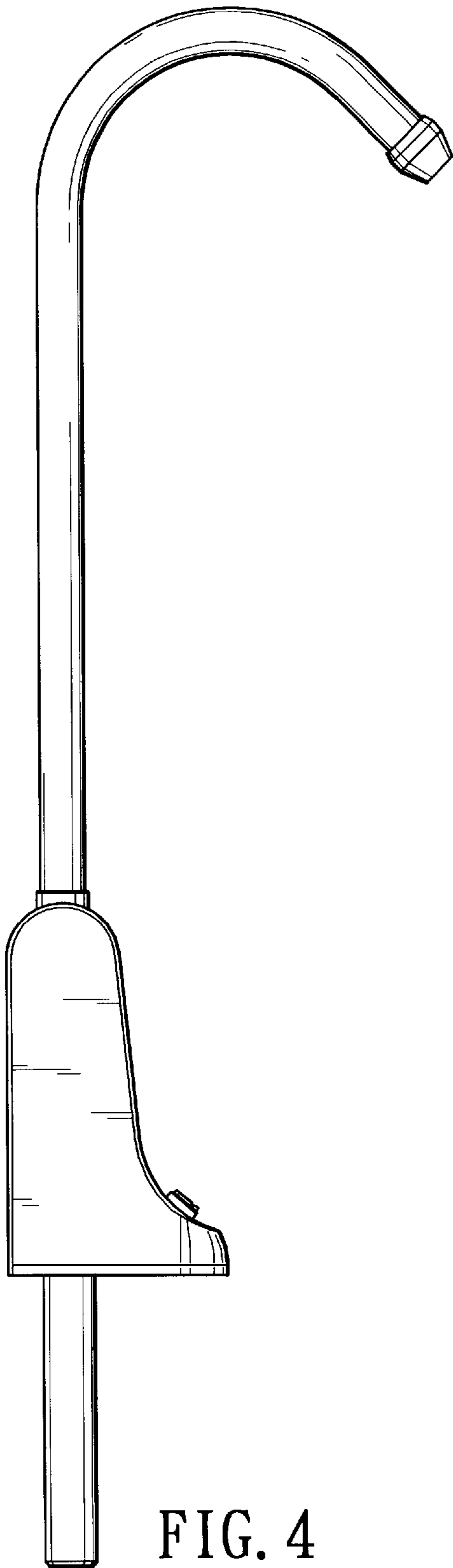


FIG. 4

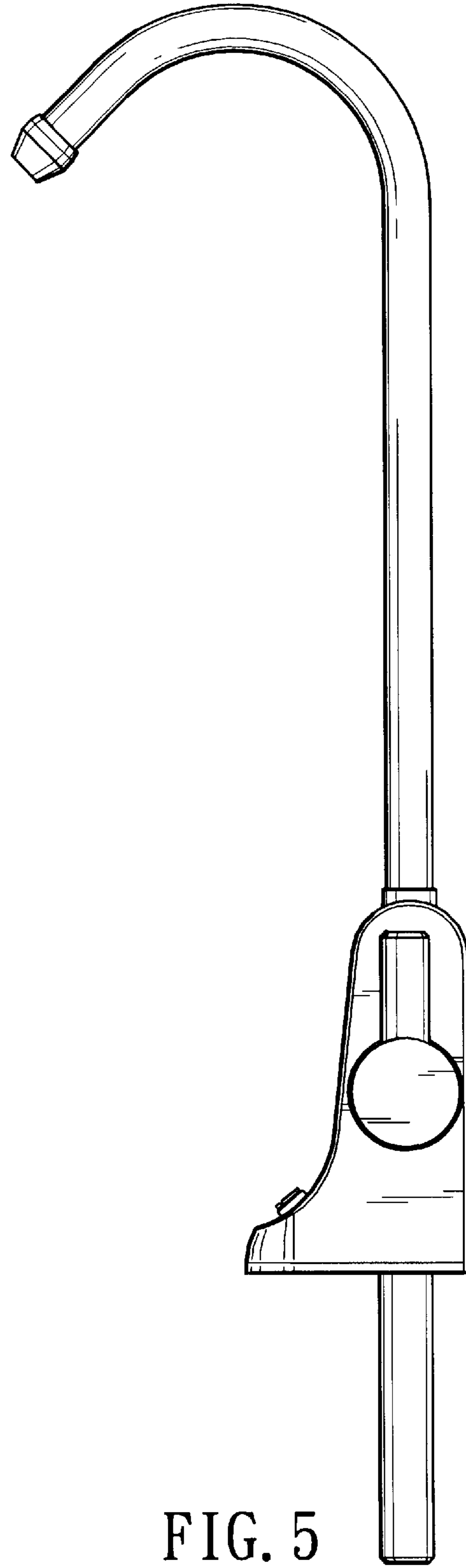


FIG. 5

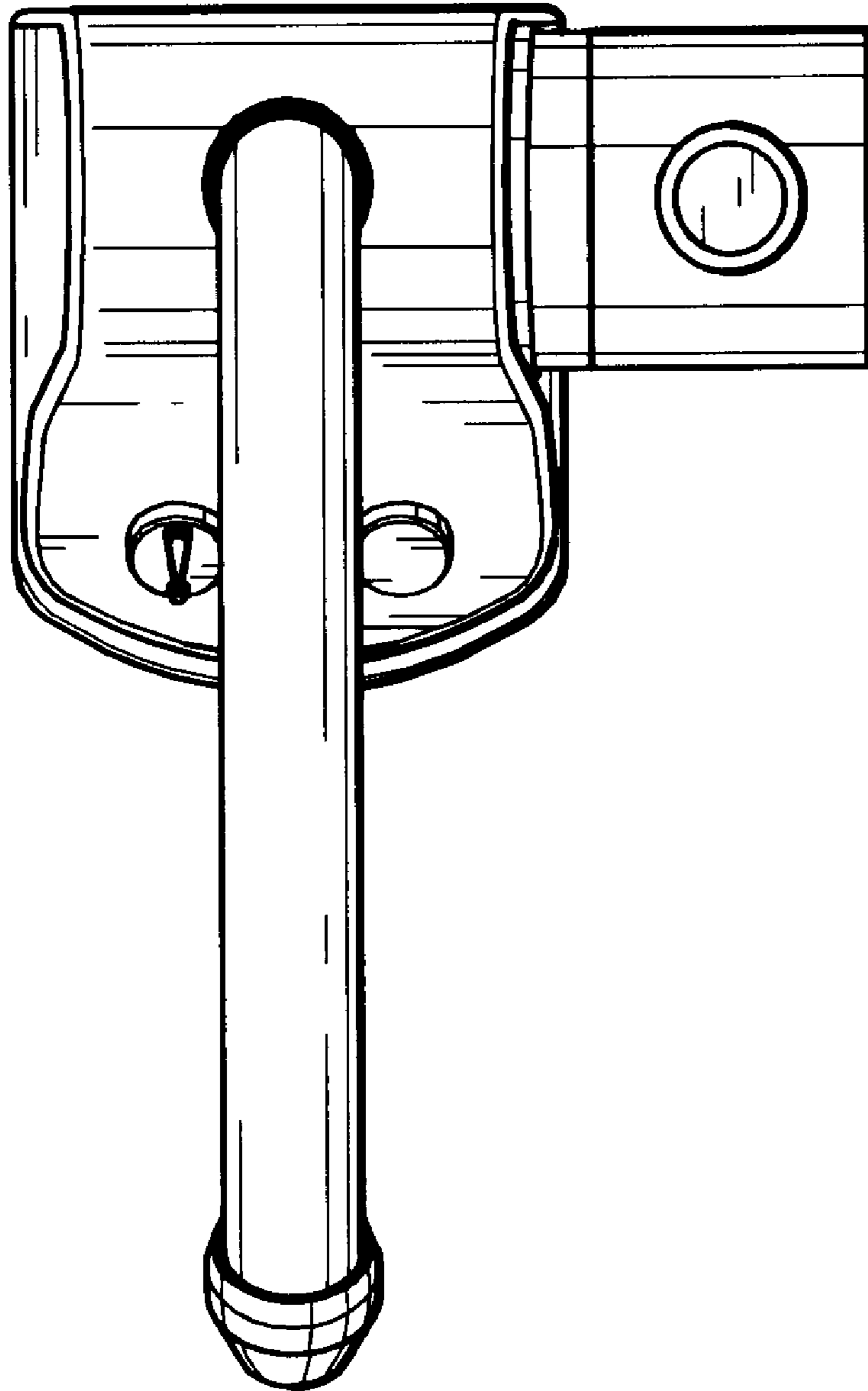


FIG. 6