



US00D522090S

(12) **United States Design Patent**
Matsumoto et al.

(10) **Patent No.:** **US D522,090 S**

(45) **Date of Patent:** **** May 30, 2006**

(54) **FLUID PRESSURE CYLINDER**

D500,258 S * 12/2004 Kita et al. D10/85
D500,259 S * 12/2004 Kita et al. D10/85

(75) Inventors: **Daisuke Matsumoto**, Ibaraki (JP);
Nobuhiro Fujiwara, Ibaraki (JP);
Hiroshi Miyachi, Ibaraki (JP)

OTHER PUBLICATIONS

U.S. Appl. No. 11/078,304, filed Mar. 14, 2005, Matsumoto,
et al.

(73) Assignee: **SMC Corporation**, Tokyo (JP)

* cited by examiner

(**) Term: **14 Years**

Primary Examiner—Ian Simmons

Assistant Examiner—Maurice Stevens

(21) Appl. No.: **29/211,155**

(74) *Attorney, Agent, or Firm*—Oblon, Spivak, McClelland,
Maier & Neustadt, P.C.

(22) Filed: **Aug. 12, 2004**

(30) **Foreign Application Priority Data**

(57) **CLAIM**

Mar. 18, 2004 (JP) 2004-008229

The ornamental design for a fluid pressure cylinder, as
shown and described.

(51) **LOC (8) Cl.** **23-01**

DESCRIPTION

(52) **U.S. Cl.** **D23/233**

(58) **Field of Classification Search** D23/233-250,
D23/421; 137/625.64, 596.13, 596.16, 271,
137/343, 272, 269; D10/85; D15/7; 200/61.36;
431/254, 256, 258

FIG. 1 is a top and left front perspective view of a fluid
pressure cylinder, showing our design;
FIG. 2 is a top and right rear perspective view thereof;
FIG. 3 is a front elevational view thereof;
FIG. 4 is a rear elevational view thereof;
FIG. 5 is a top plan view thereof;
FIG. 6 is a bottom plan view thereof;
FIG. 7 is a left side elevational view thereof; and,
FIG. 8 is a right side elevational view thereof.

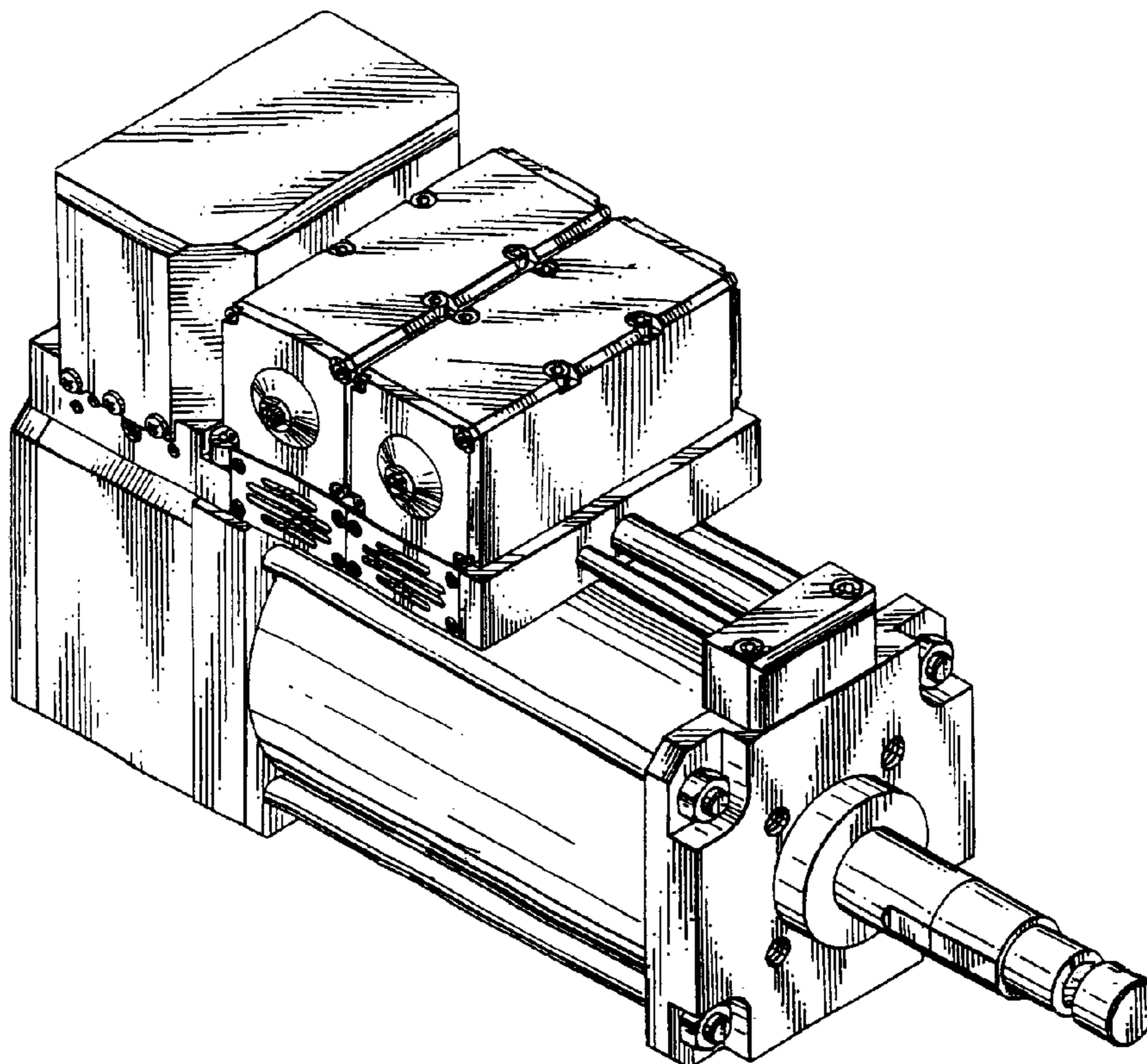
See application file for complete search history.

(56) **References Cited**

U.S. PATENT DOCUMENTS

D370,683 S * 6/1996 Stahlman et al. D15/7
D499,348 S * 12/2004 Matsumoto et al. D10/85

1 Claim, 3 Drawing Sheets



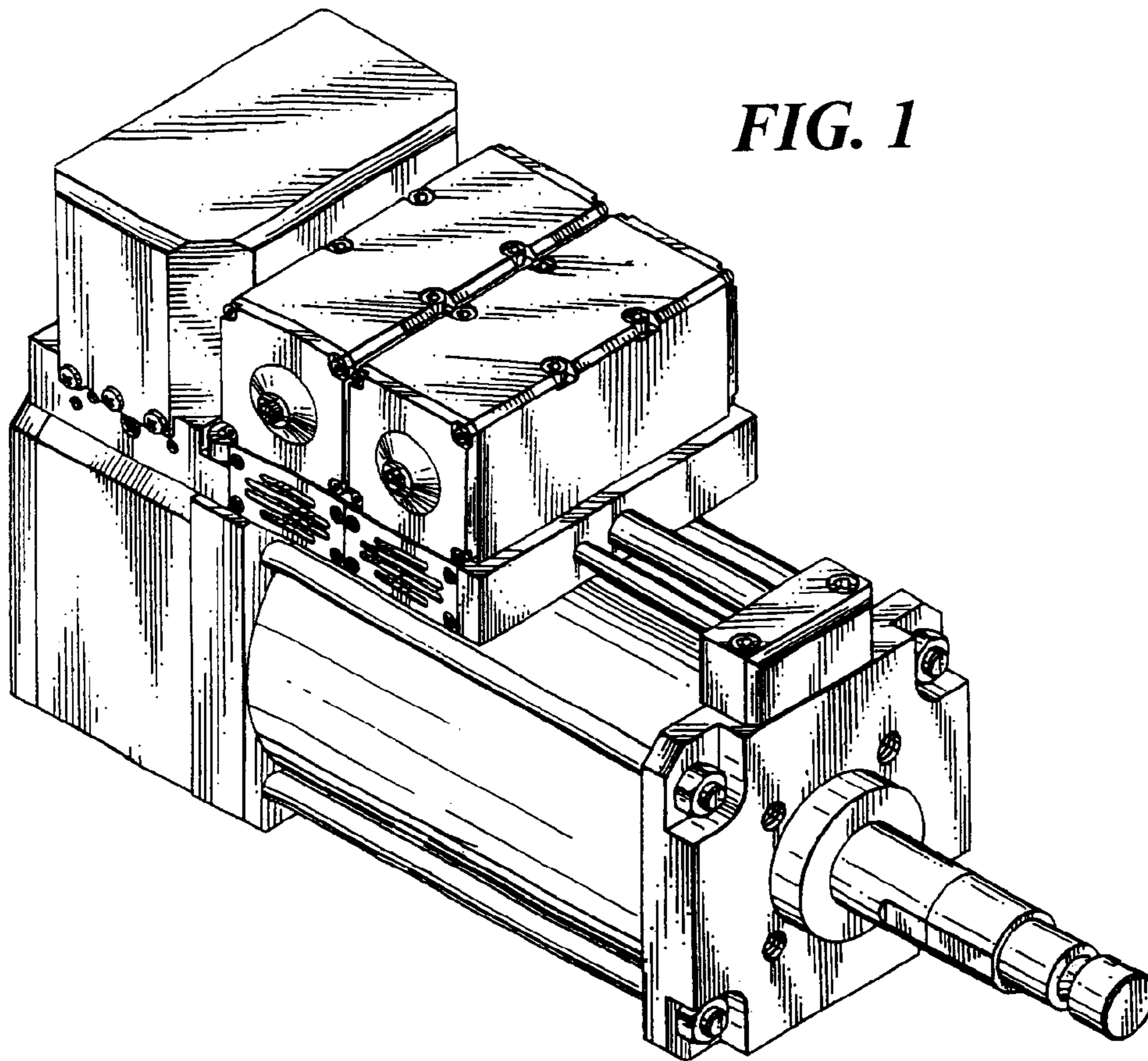


FIG. 1

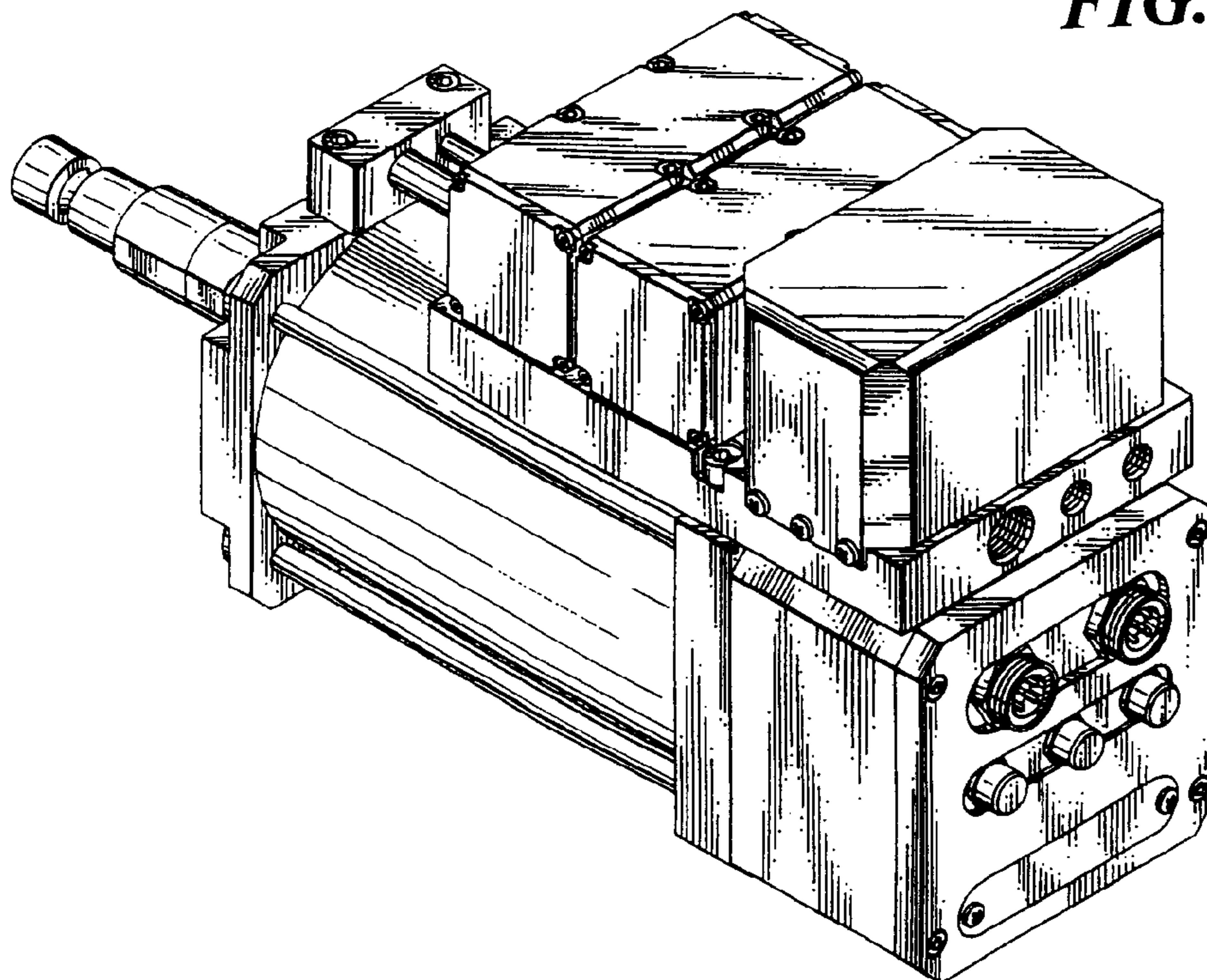


FIG. 2

FIG.3

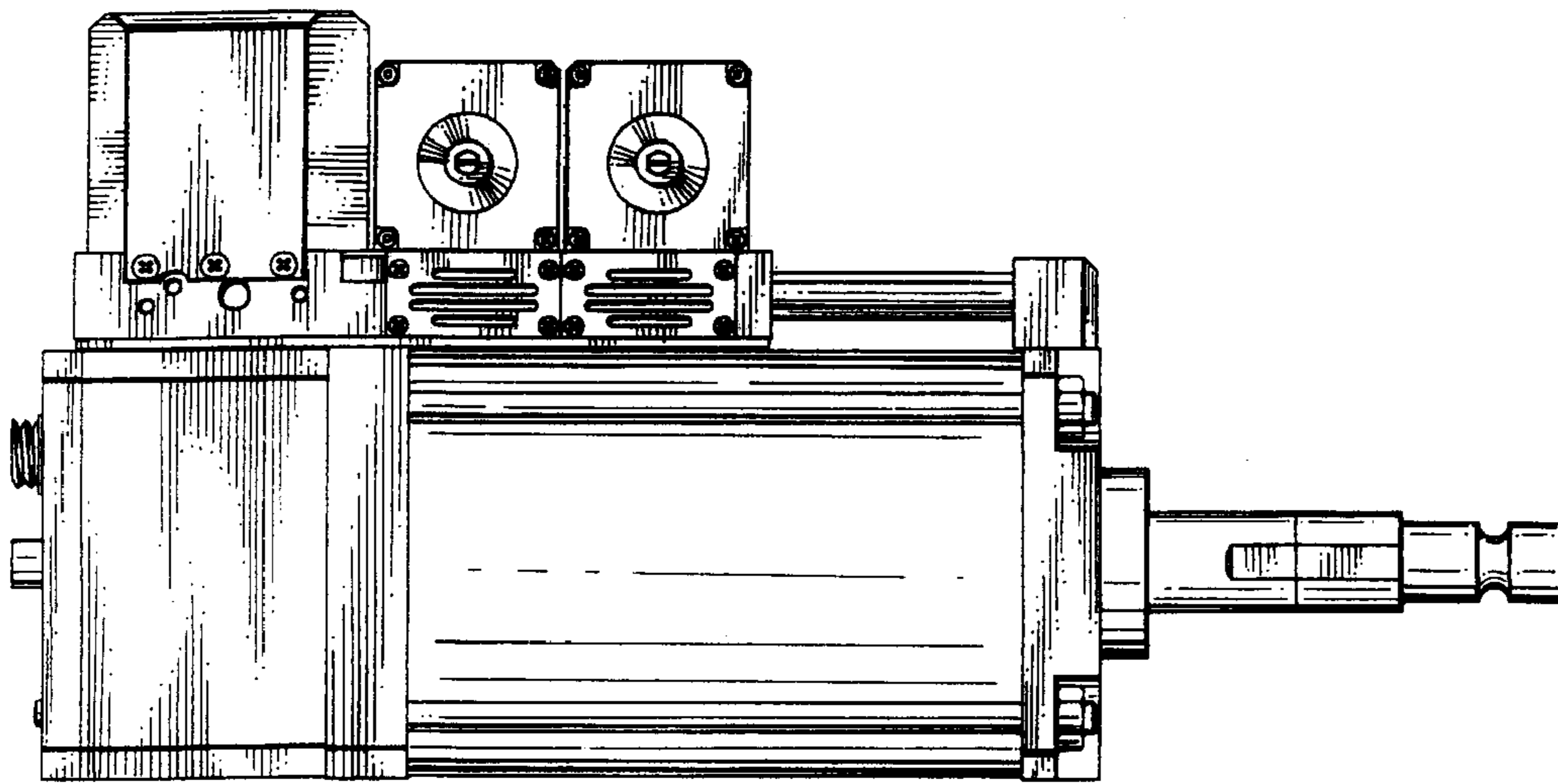


FIG.4

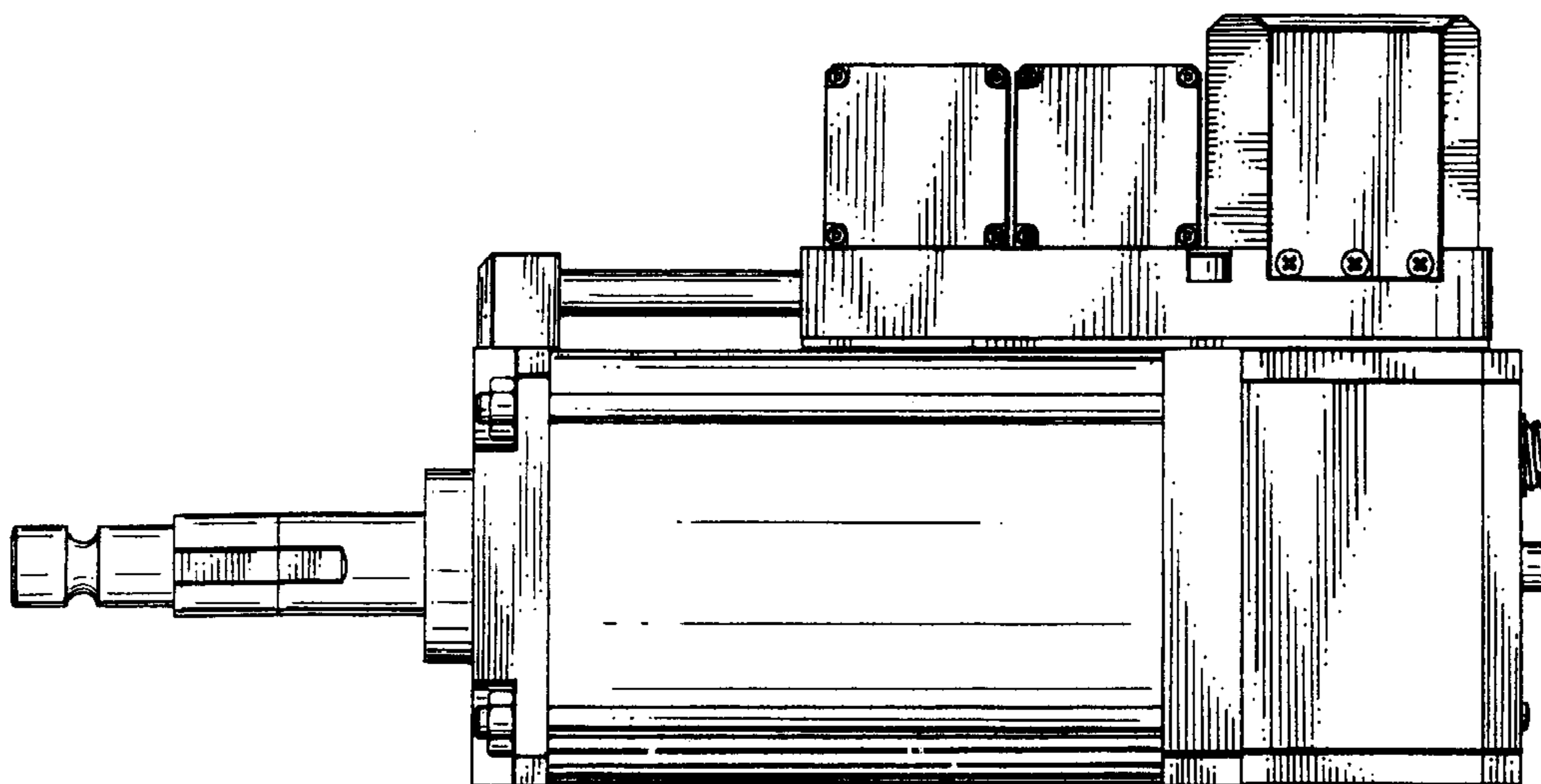


FIG. 5

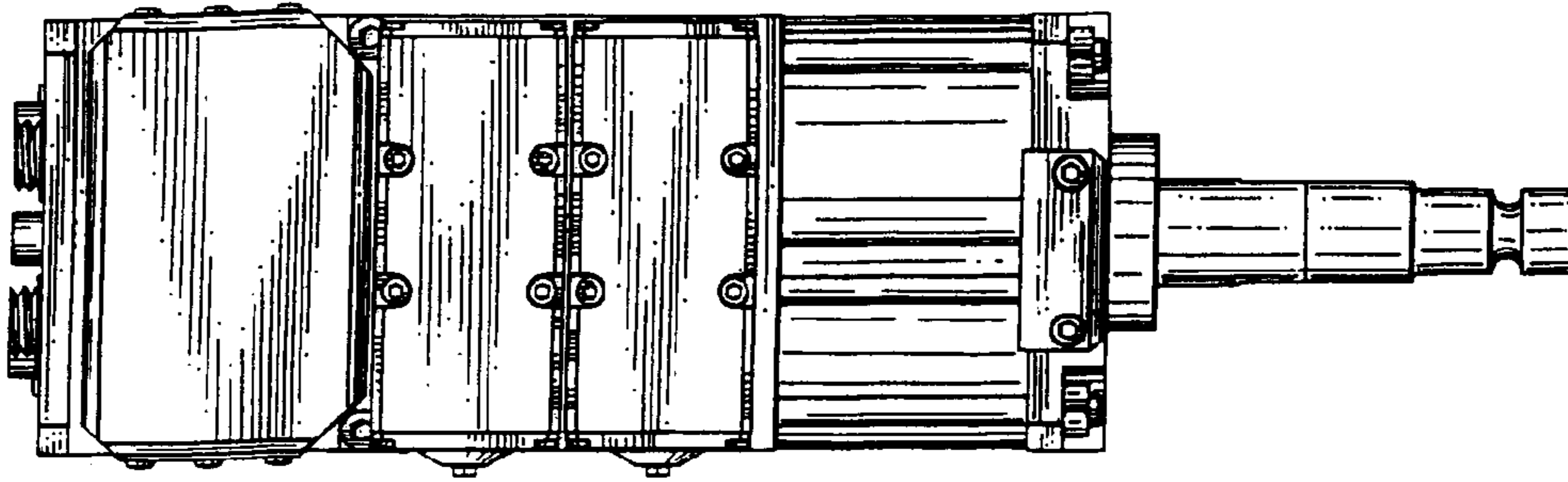


FIG. 6

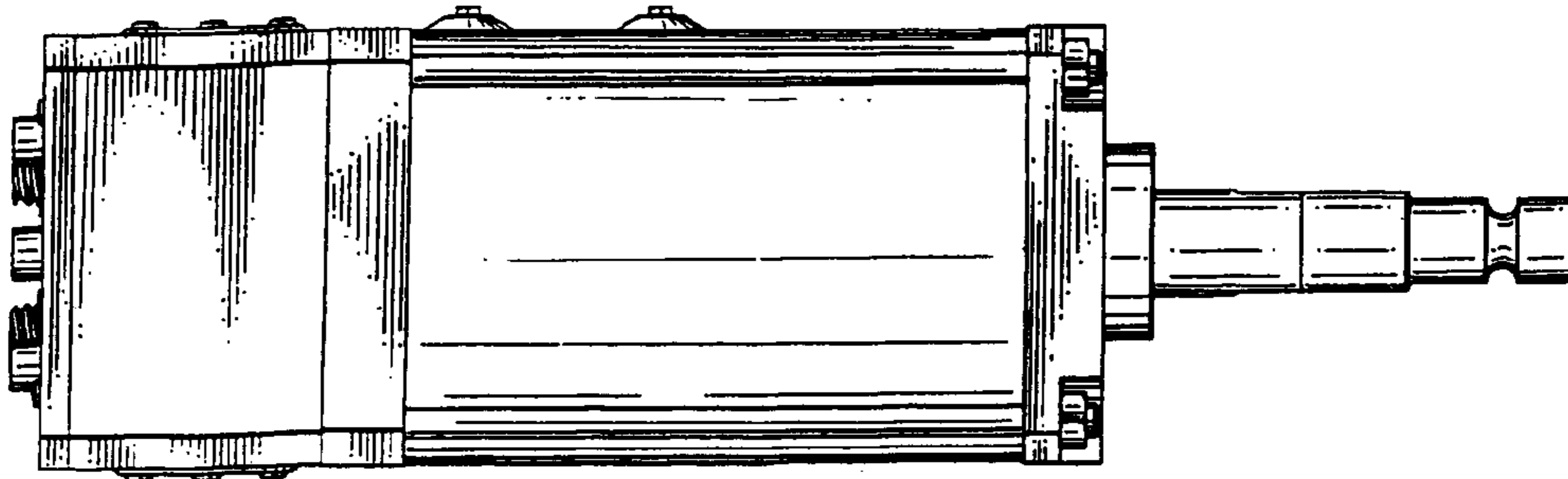


FIG. 7

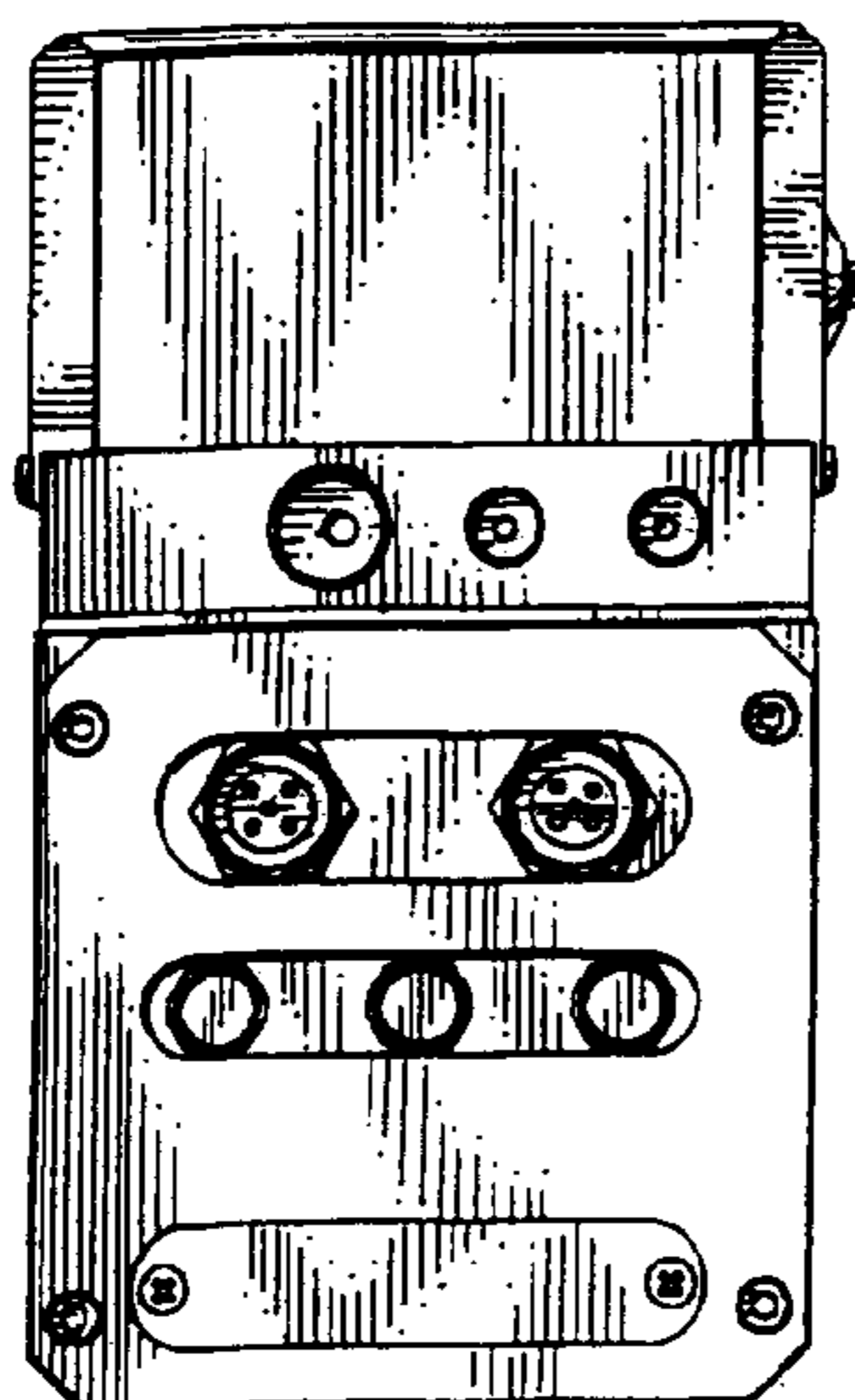


FIG. 8

