

US00D522086S

(12) **United States Design Patent** (10) **Patent No.:** **US D522,086 S**
Achor et al. (45) **Date of Patent:** **** May 30, 2006**

(54) **PATTERN FOR THE EXTERIOR OF AN INSECT TRAP**
(75) Inventors: **Richard E. Achor**, Winston-Salem, NC (US); **William Todd Hurst**, Greensboro, NC (US)

(73) Assignee: **Blue Rhino Global Sourcing, LLC**, Winston-Salem, NC (US)

(**) Term: **14 Years**

(21) Appl. No.: **29/183,998**

(22) Filed: **Jun. 19, 2003**

(51) **LOC (8) Cl.** **22-06**

(52) **U.S. Cl.** **D22/122**

(58) **Field of Classification Search** D22/119-125; 43/107, 113, 114; 206/216; 84/414, 415, 84/411 R, 420; 229/103, 109
See application file for complete search history.

(56) **References Cited**

U.S. PATENT DOCUMENTS

466,637 A	1/1892	Thum et al.	43/114
627,766 A *	6/1899	Wilken	84/414
891,315 A *	6/1908	Wilken	84/414
1,018,767 A *	2/1912	Logan	84/414
1,655,128 A	1/1928	Berghorn	43/114
2,097,924 A	11/1937	Kell	43/114
3,833,113 A *	9/1974	Osier	206/216

5,170,583 A	12/1992	Coaker et al.	43/107
5,651,211 A	7/1997	Regan et al.	43/113
6,438,894 B1	8/2002	Silvandersson et al.	43/114
6,481,152 B1	11/2002	Gray	43/113
D468,389 S	1/2003	Israel et al.	D22/122
6,505,434 B1	1/2003	Kloczko et al.	43/114
2002/0083639 A1	7/2002	Perry	43/114
2003/0110922 A1 *	6/2003	Chen	84/411 R

* cited by examiner

Primary Examiner—Catherine R. Oliver

(74) *Attorney, Agent, or Firm*—Greer, Burns & Crain, Ltd.

(57) **CLAIM**

The ornamental design for a pattern for the exterior of an insect trap, as shown and described.

DESCRIPTION

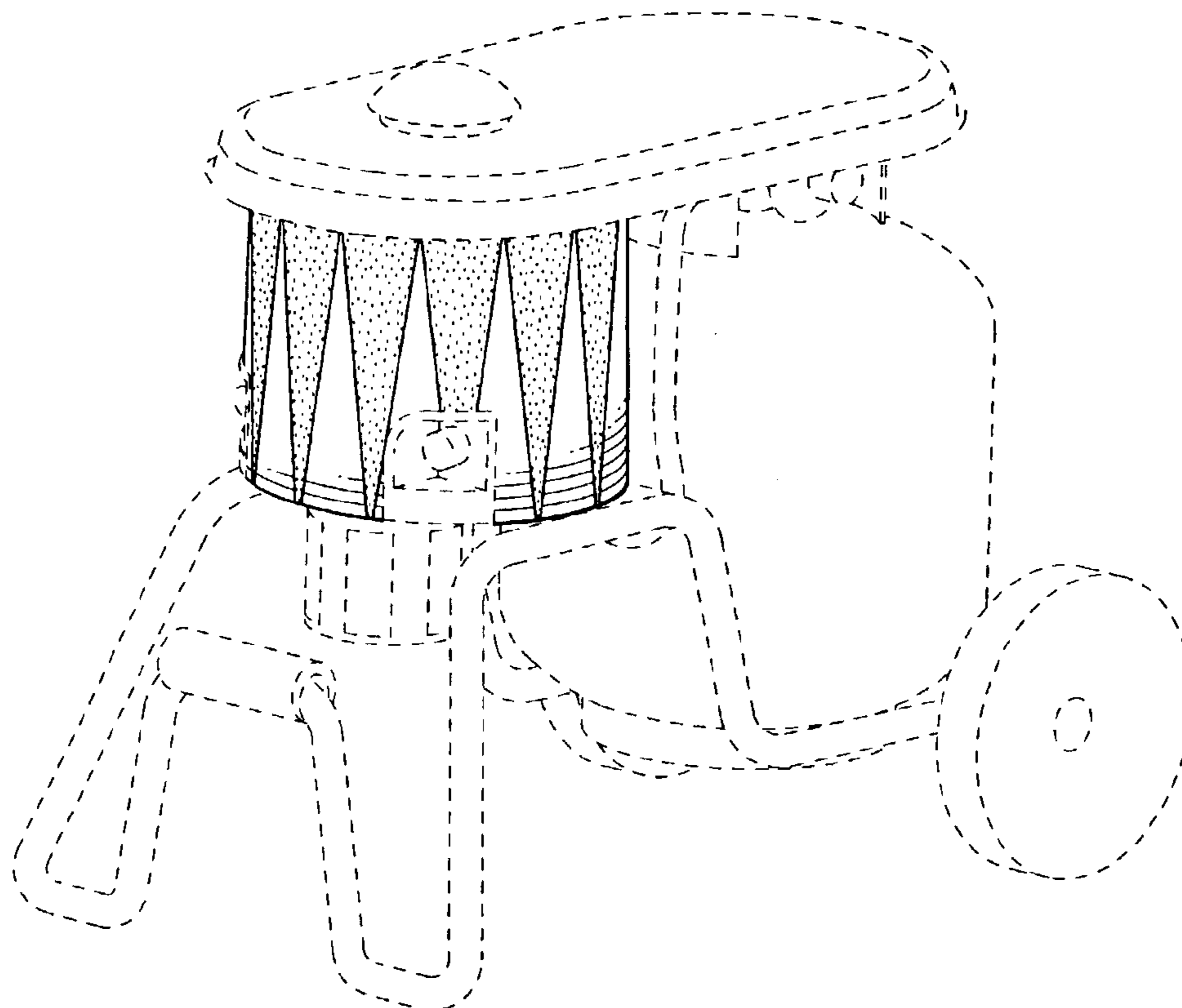
FIG. 1 is a perspective view of a pattern for the exterior of an insect trap showing our new design; FIG. 2 is a side view thereof, with all sides being identical; and,

FIG. 3 is a top plan view, the bottom plan view being identical.

The propane tank, cart, wheels, handle, dispenser, fuel line, cover, controls and trap cup shown in dashed lines are not a part of this design.

The broken line showing of environment in the drawings is for illustrative purposes only and forms no part of the claimed design.

1 Claim, 3 Drawing Sheets



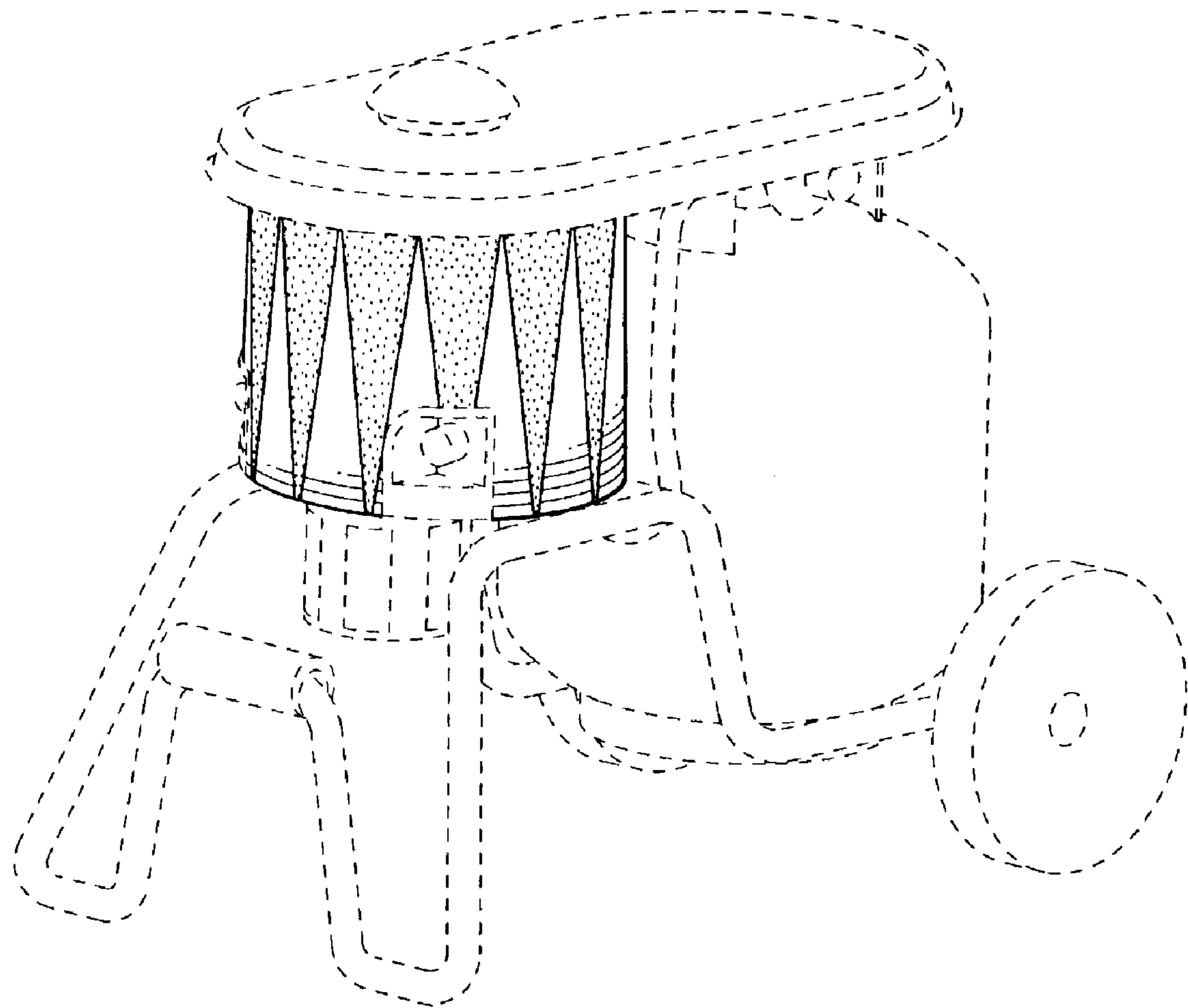


FIG. 1

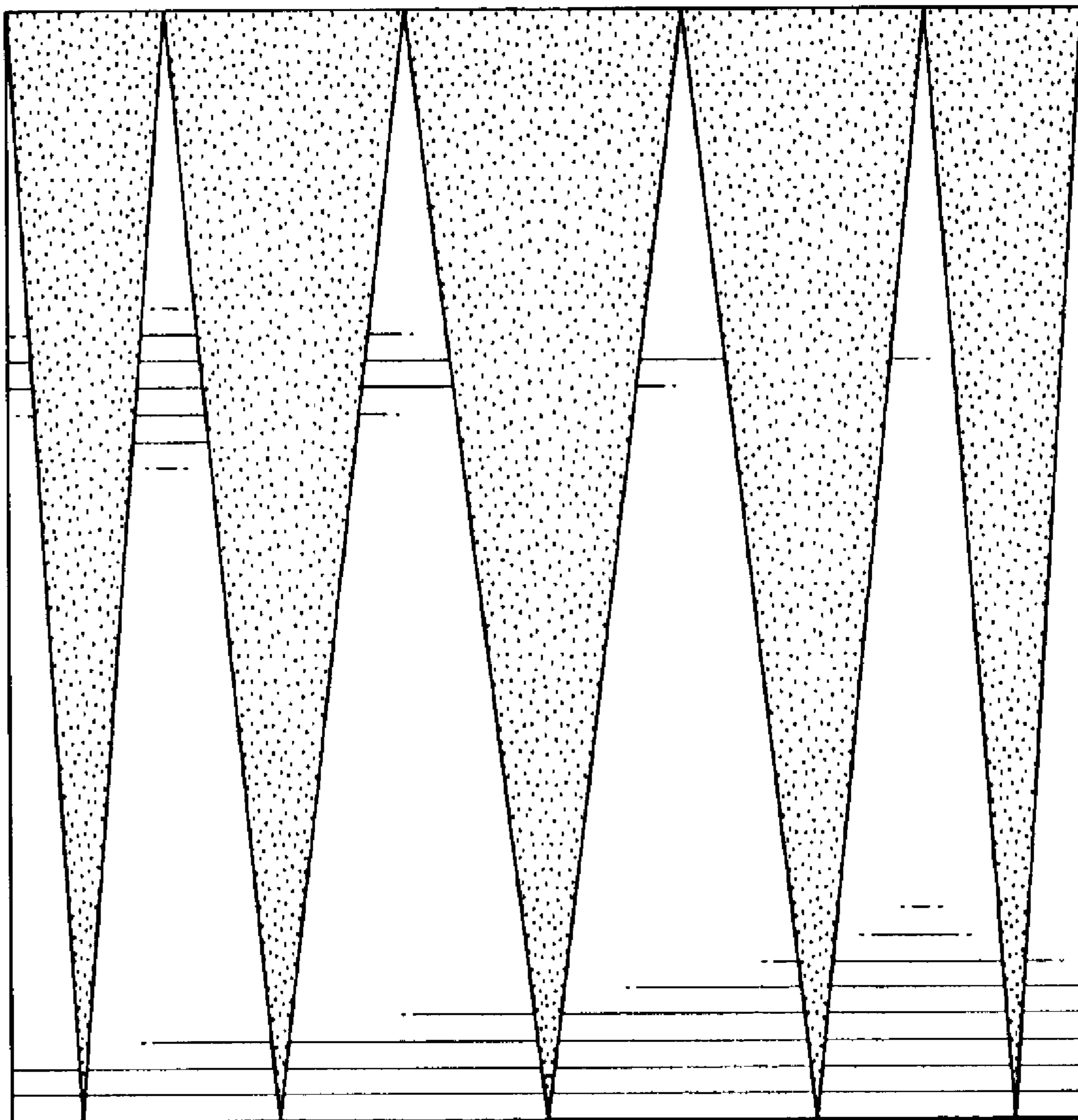


FIG. 2

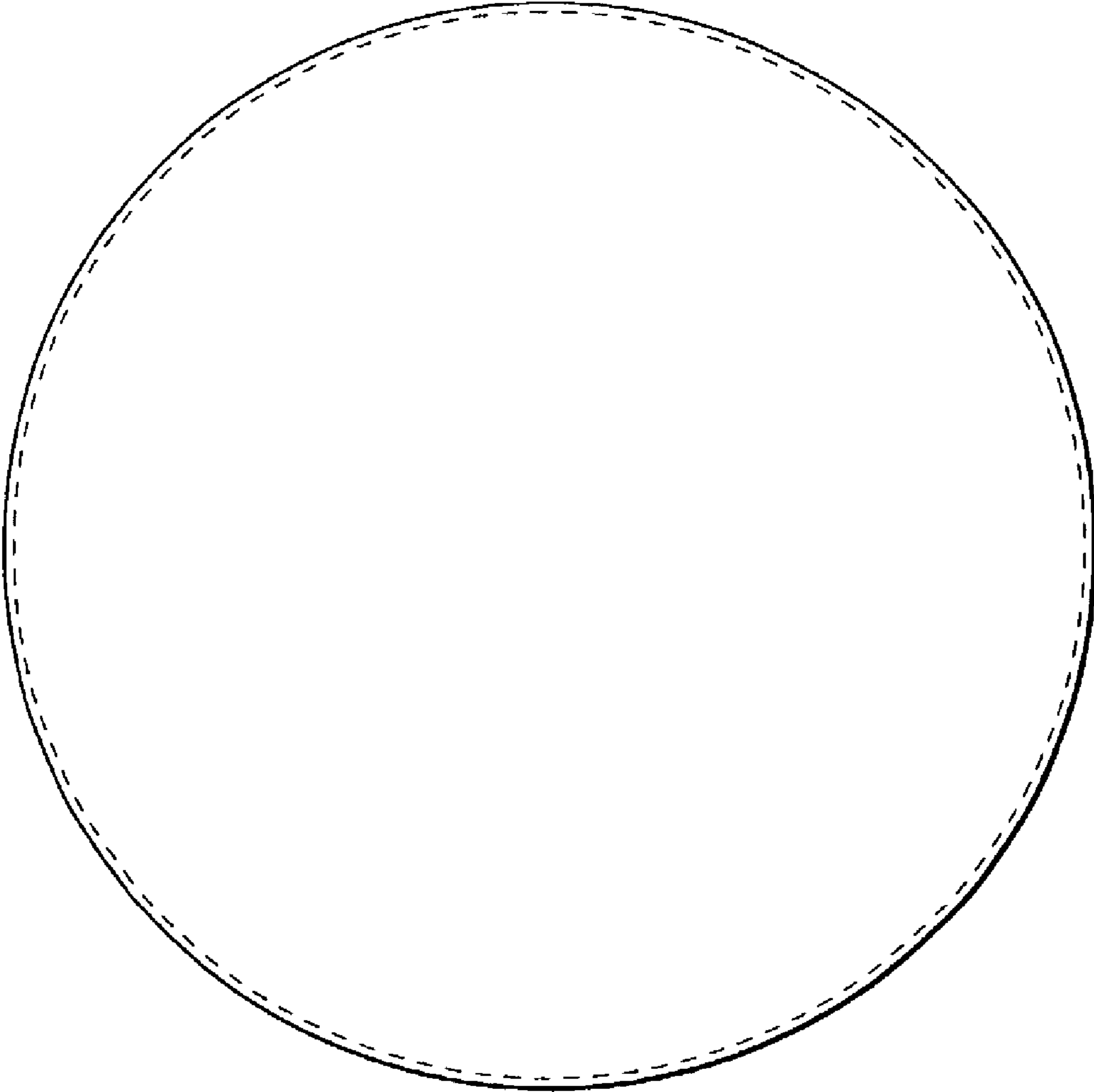


FIG. 3