

US00D522084S

(12) **United States Design Patent**
Primeau, IV

(10) **Patent No.:** **US D522,084 S**

(45) **Date of Patent:** **** May 30, 2006**

(54) **FIREARM MOUNTABLE
ELECTROMAGNETIC RADIATION DEVICE**

(76) **Inventor:** **Daniel F Primeau, IV**, 5605 Kraus
Rd., Clarence, NY (US) 14031

(**) **Term:** **14 Years**

(21) **Appl. No.:** **29/223,935**

(22) **Filed:** **Feb. 22, 2005**

(51) **LOC (8) Cl.** **22-01**

(52) **U.S. Cl.** **D22/109**

(58) **Field of Classification Search** D22/108-110,
D22/199; 33/245-247, 261, 265; 42/100-103,
42/111, 124

See application file for complete search history.

(56) **References Cited**

U.S. PATENT DOCUMENTS

D420,718 S * 2/2000 Otteman et al. D22/109

D424,651 S * 5/2000 Primeau, IV D22/110
D427,275 S * 6/2000 Gilmore D22/109
D432,617 S * 10/2000 Bechtel D22/108
6,381,895 B1 * 5/2002 Keeney et al. 42/124

* cited by examiner

Primary Examiner—Catherine R. Oliver

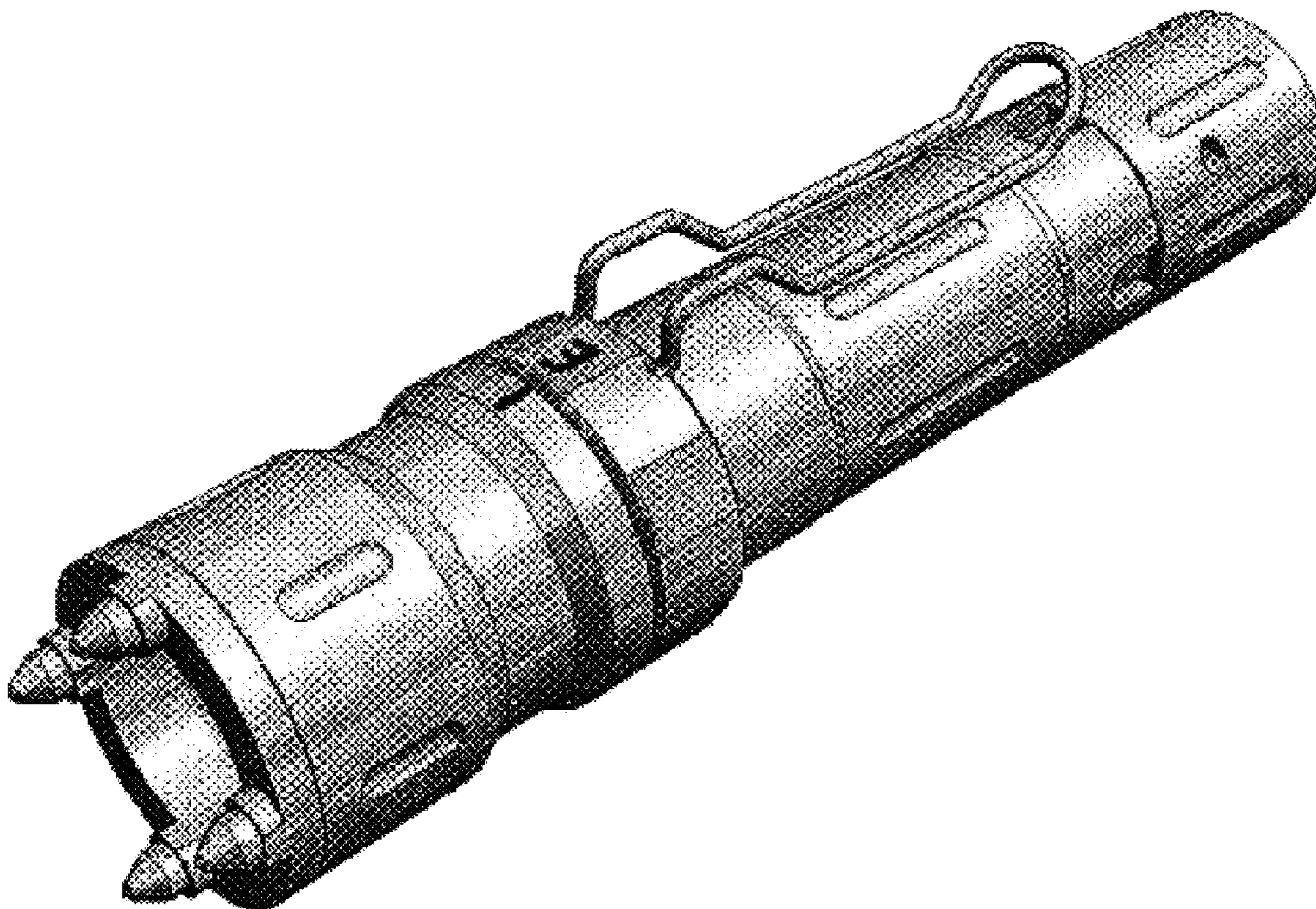
(57) **CLAIM**

I claim the ornamental design for a firearm mountable
electromagnetic radiation device, as shown and described.

DESCRIPTION

FIG. 1 is a ¾ of my new design.
FIG. 2 is a left side view of my new design.
FIG. 3 is a right side view of my new design.
FIG. 4 is a top view of my new design.
FIG. 5 is a bottom view of my new design.
FIG. 6 is a front view of my new design; and,
FIG. 7 is a rear view of my new design.

1 Claim, 4 Drawing Sheets



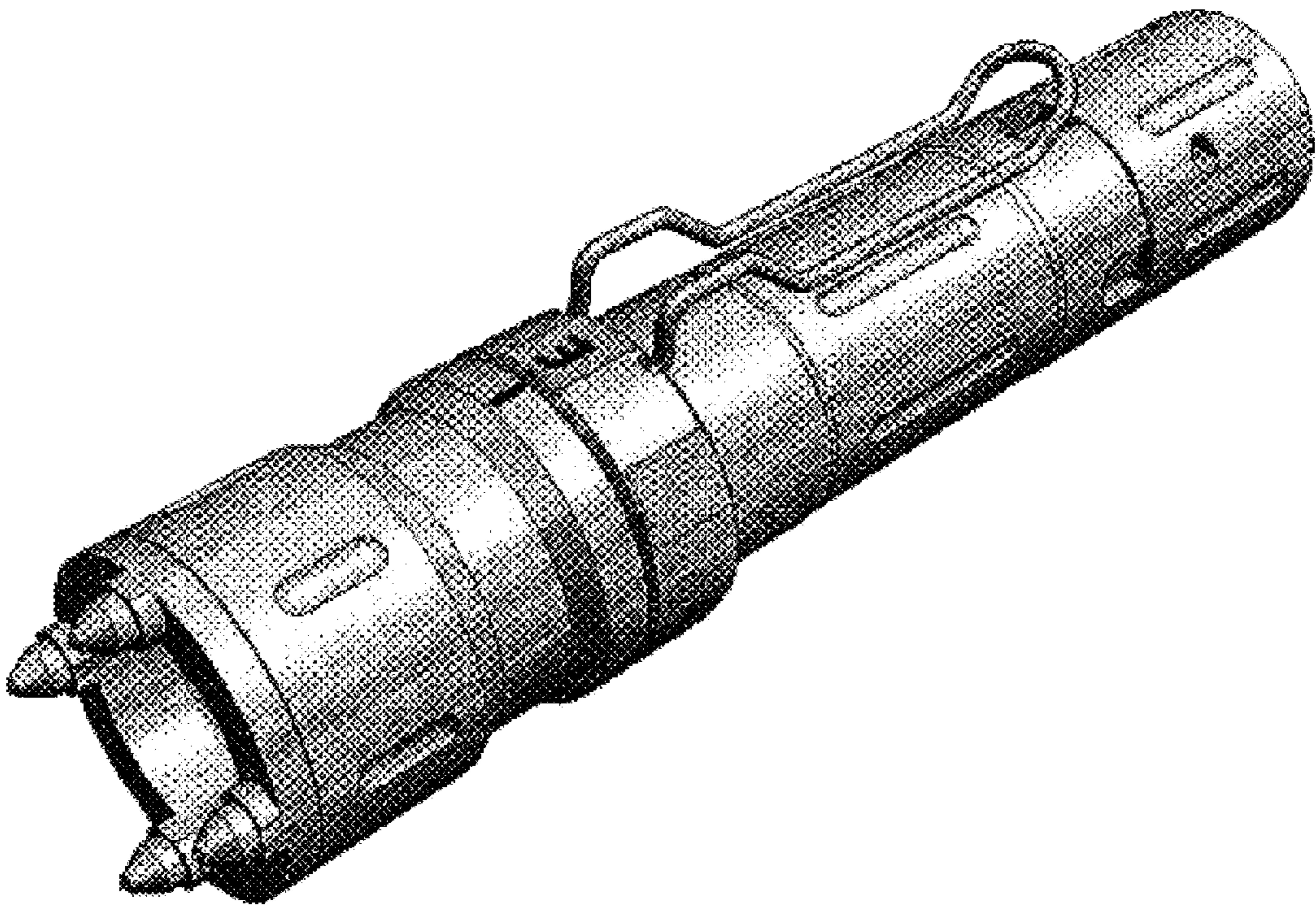


FIG. 1

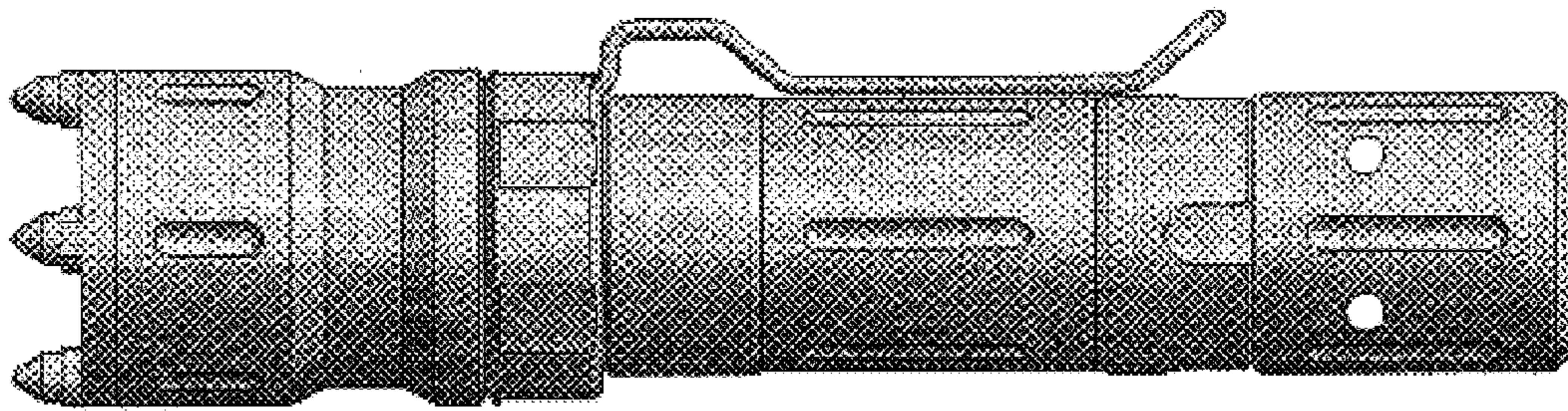


FIG. 2

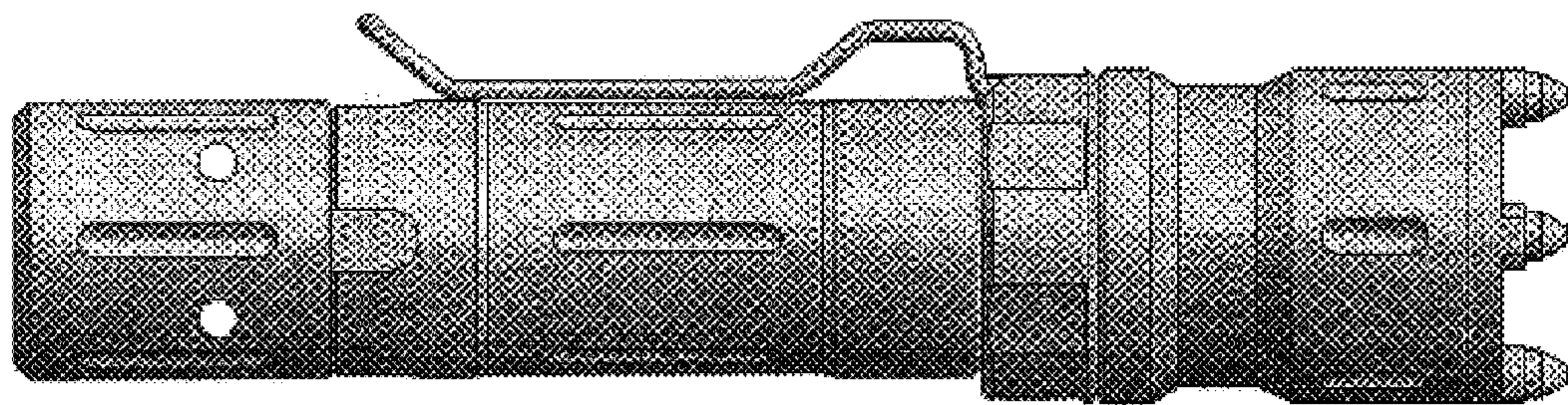


FIG. 3

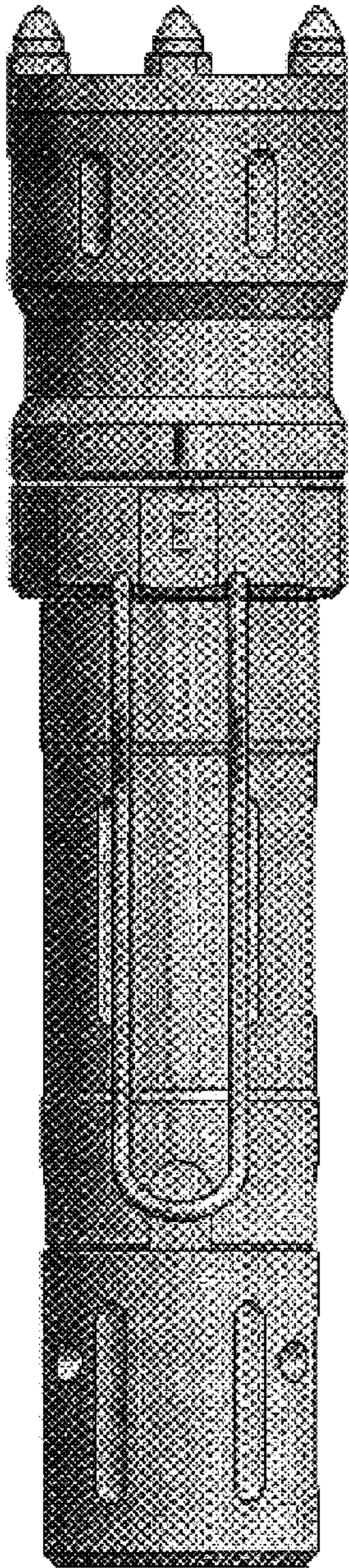


FIG. 4

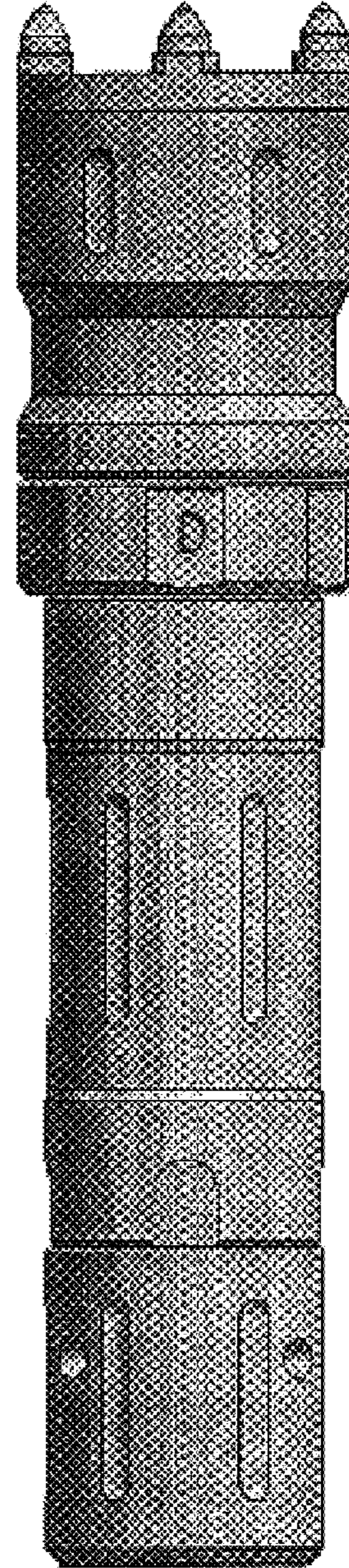


FIG. 5

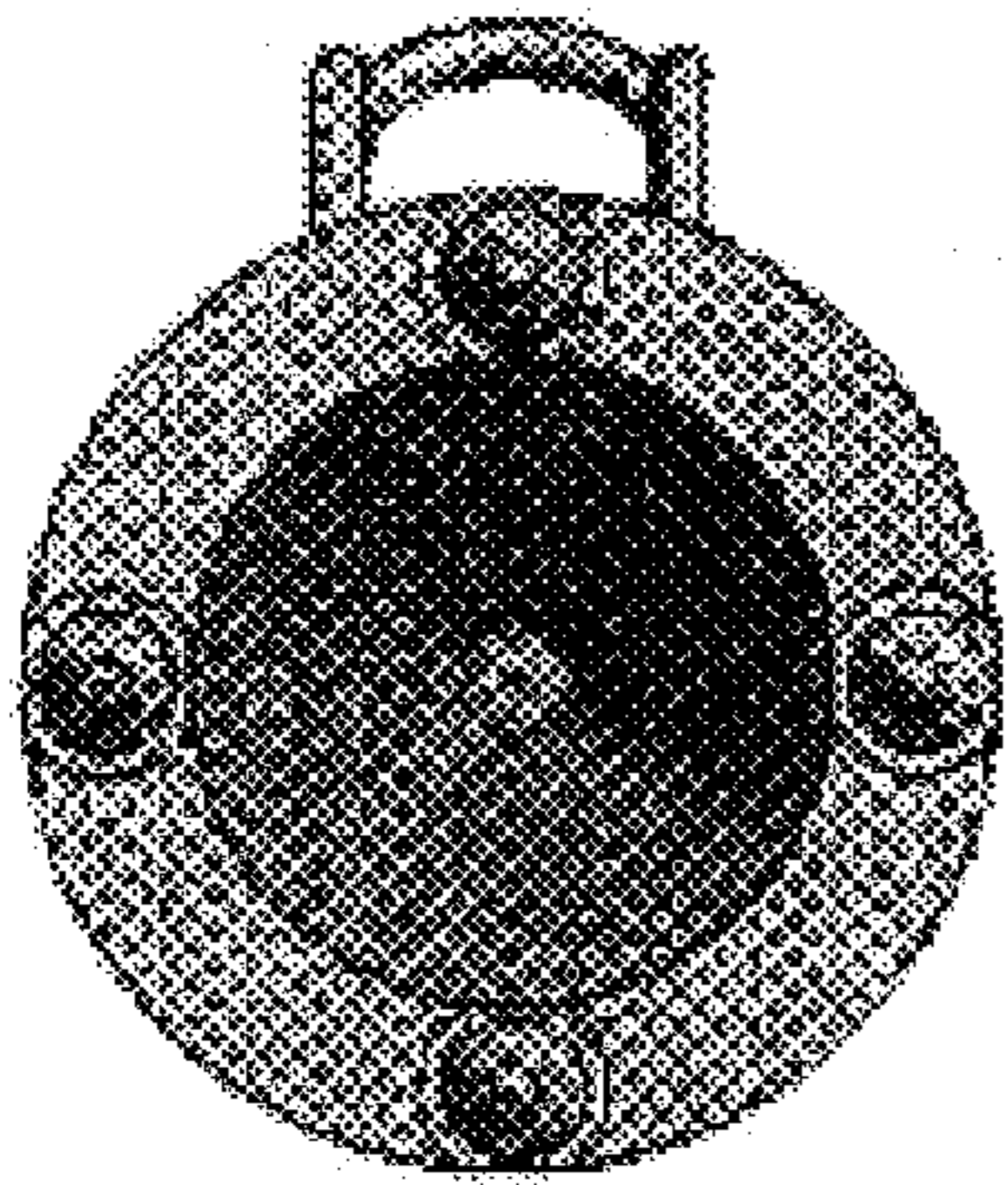


FIG. 6

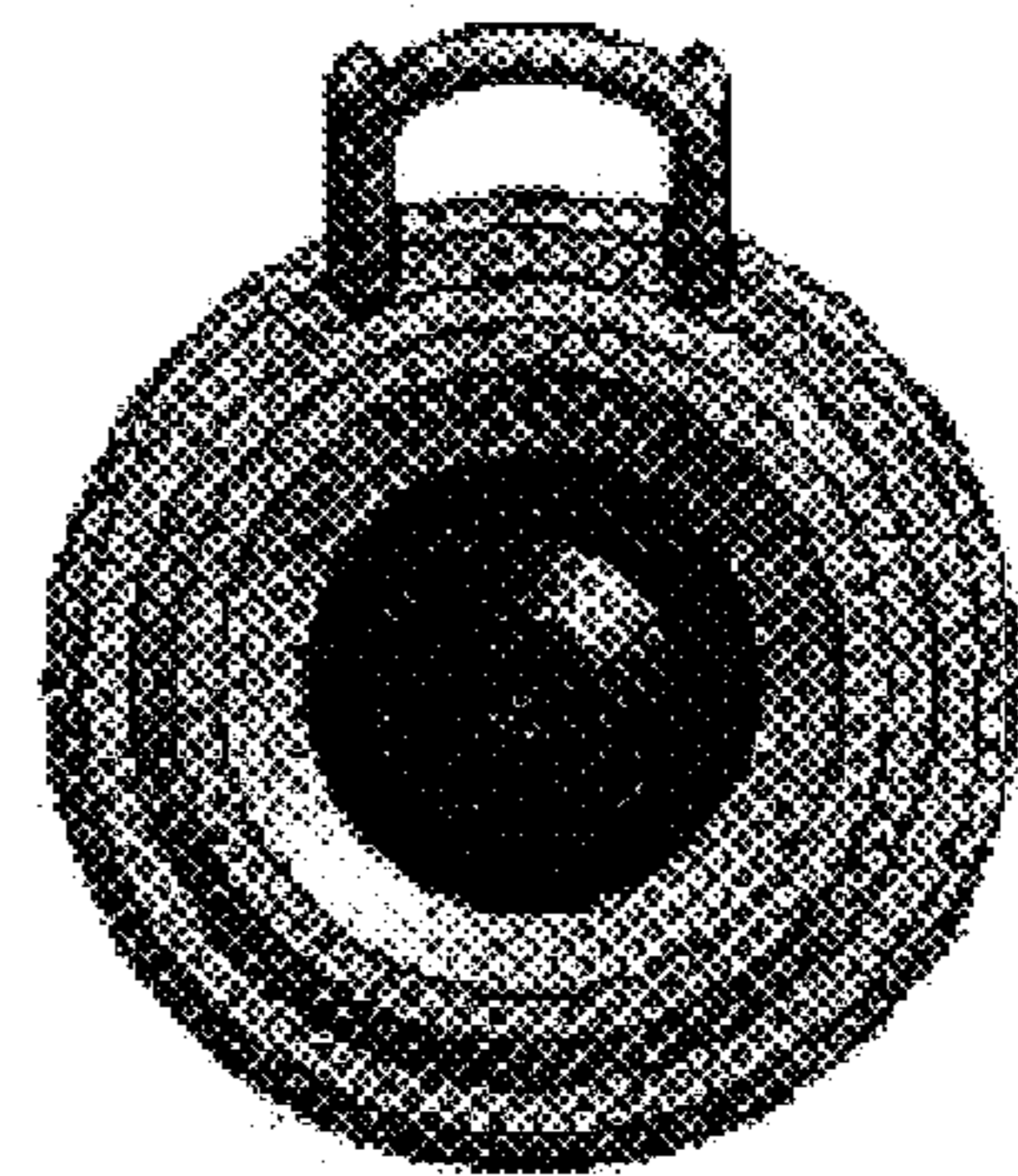


FIG. 7