

US00D522083S

(12) **United States Design Patent** (10) **Patent No.:** **US D522,083 S**
Afshari (45) **Date of Patent:** **** May 30, 2006**

(54) **BOW SIGHT PIN**

FOREIGN PATENT DOCUMENTS

(76) Inventor: **Abbas Ben Afshari**, P.O. Box 6005,
Pocatello, ID (US) 83205

WO WO 97/32175 9/1997

(**) Term: **14 Years**

OTHER PUBLICATIONS

(21) Appl. No.: **29/119,574**

Savage Systems, Inc. product catalog; 2000; Oak Grove,
Louisiana, pp. 1-12.

(22) Filed: **May 3, 2004**

Trophy Ridge product catalog; 2003; Belgrade, Montana;
pp. 1-11.

Trophy Ridge product catalog; 2004; Belgrade, Montana pp.
1-16.

Related U.S. Application Data

Scout Mountain Equipment product catalog; Pocatello,
Idaho; 1996; pp. 1-7.

(63) Continuation of application No. 10/831,438, filed on Apr.
23, 2004.

(Continued)

(51) **LOC (8) Cl.** **22-01**

Primary Examiner—Ian Simmons

(52) **U.S. Cl.** **D22/107**

Assistant Examiner—Melanie Levy

(58) **Field of Classification Search** D22/107,
D22/108, 109, 110; 124/86-90; 33/265
See application file for complete search history.

(74) *Attorney, Agent, or Firm*—Morris O'Bryant
Compagni, P.C.

(57)

CLAIM

(56) **References Cited**

The ornamental design for the bow sight pin, as shown and
described.

U.S. PATENT DOCUMENTS

DESCRIPTION

3,234,651 A	2/1966	Rivers	
3,455,027 A	7/1969	Perkins	
3,475,820 A	11/1969	Kernan	
3,521,362 A	7/1970	Duplechin	
3,641,675 A	2/1972	Funk, Jr.	
3,648,376 A	3/1972	Millnamow	
3,945,127 A	3/1976	Spencer	
3,997,974 A	12/1976	Larson	
4,116,194 A	9/1978	Topel	
4,120,096 A	10/1978	Keller	
4,159,575 A	7/1979	Kalmbach	
4,162,579 A	7/1979	James	
4,177,572 A	12/1979	Hindes	
4,215,484 A	8/1980	Lauffenburger	
4,244,115 A	1/1981	Waldorf	
4,291,469 A	9/1981	Weast	
4,291,664 A	9/1981	Nishioka	
D268,439 S	* 3/1983	Gwinn, Jr.	D22/108
4,418,479 A	12/1983	Stachnik	
4,528,973 A	7/1985	Rasmussen	
4,541,179 A	9/1985	Closson	

FIG. 1 is a front side perspective view of a first embodiment
of a sight pin in accordance with the principles of the present
invention;

FIG. 2 is a front side perspective view of a second embodi-
ment of a sight pin in accordance with the principles of the
present invention;

FIG. 3 is a left side view of the sight pins shown in FIGS.
1 and **2**;

FIG. 4 is a right side view of the sight pins shown in FIGS.
1 and **2**;

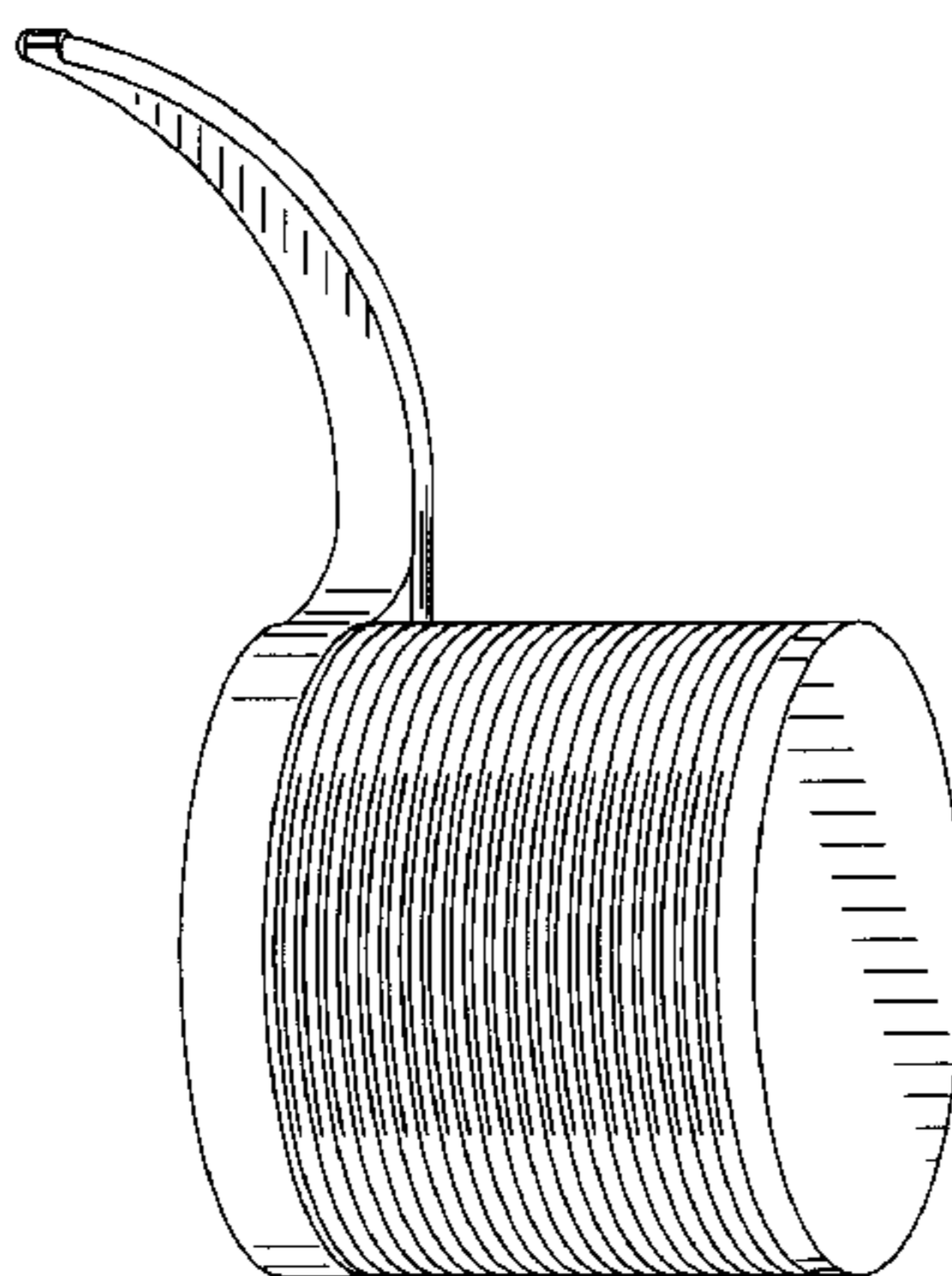
FIG. 5 is a front side view of the sight pin shown in FIG. **2**;
FIG. 6 is a back side view of the sight pin shown in FIG. **2**;
and,

FIG. 7 is a bottom side view of the sight pin shown in FIG.
1.

The broken lines are for illustrative purposes only and form
no part of the claimed design.

(Continued)

1 Claim, 4 Drawing Sheets



U.S. PATENT DOCUMENTS

4,616,623 A 10/1986 Williams
 4,884,347 A 12/1989 Larson
 4,928,394 A 5/1990 Sherman
 4,977,678 A 12/1990 Sears
 5,086,567 A 2/1992 Tutsch
 5,090,805 A 2/1992 Stawarz
 5,103,568 A 4/1992 Canoy
 5,131,153 A 7/1992 Seales
 5,174,269 A 12/1992 Sappington
 5,201,122 A 4/1993 Annunziata
 5,231,765 A 8/1993 Sherman
 5,285,767 A 2/1994 Padilla
 5,341,791 A 8/1994 Shafer
 5,362,046 A 11/1994 Sims
 5,367,780 A 11/1994 Savage
 5,383,278 A 1/1995 Kay
 5,383,279 A 1/1995 Tami
 5,442,861 A 8/1995 Lorocco
 5,442,863 A 8/1995 Fazely
 5,517,979 A 5/1996 Closson
 5,560,113 A 10/1996 Simo et al.
 5,579,752 A 12/1996 Nelson et al.
 5,588,736 A 12/1996 Shea, Sr.
 5,619,801 A 4/1997 Slates
 5,632,091 A 5/1997 Brion et al.
 5,634,278 A 6/1997 London
 5,638,604 A 6/1997 Lorocco
 5,644,849 A 7/1997 Slates
 5,653,034 A 8/1997 Bindon
 5,653,217 A 8/1997 Keller
 5,676,122 A 10/1997 Wiseby et al.
 5,685,081 A 11/1997 Winegar
 5,718,215 A 2/1998 Kenny et al.
 5,836,294 A 11/1998 Merritt
 5,862,603 A 1/1999 Ellig
 5,924,234 A 7/1999 Bindon et al.
 5,956,854 A 9/1999 Lorocco
 5,996,569 A 12/1999 Wilson
 6,000,141 A * 12/1999 Afshari 33/265
 6,016,608 A 1/2000 Lorocco
 6,039,453 A 3/2000 Wang
 6,061,919 A 5/2000 Reichert
 6,119,672 A 9/2000 Closson
 6,122,833 A 9/2000 Lorocco
 6,145,208 A 11/2000 Savage
 6,216,352 B1 4/2001 Lorocco
 6,276,068 B1 8/2001 Sheliga
 6,280,654 B1 8/2001 Digman et al.
 6,360,472 B1 3/2002 Lorocco
 6,377,222 B1 4/2002 Nicholson
 6,382,201 B1 5/2002 McPherson et al.
 6,418,633 B1 7/2002 Rager
 6,421,946 B1 7/2002 LoRocco
 6,477,778 B1 11/2002 Lorocco
 6,560,884 B1 5/2003 Afshari

6,571,482 B1 6/2003 Tymianski
 6,581,317 B1 * 6/2003 Slates 42/132
 6,601,308 B1 * 8/2003 Khoshnood 33/265
 6,634,110 B1 10/2003 Johnson
 6,634,111 B1 10/2003 LoRocco
 6,725,854 B1 4/2004 Afshari
 6,802,131 B1 10/2004 Scholz et al.
 2004/0006879 A1 1/2004 Afshari
 2004/0088871 A1 5/2004 Afshari

OTHER PUBLICATIONS

Jennifer Pillath; Bass Pro Shops Outdoor World, vol. 1—Issue 1; Sep. 2002.
 Larry D. Jones; Bowhunter; Aug./Sep. 2002, pp. 18, 46 and unknown.
 Bill Krenz; Better Hunting Sights; Bowhunter; Oct./Nov. 2002 (unknown page).
 Mike Strandlund; Tackle & Technique A Better Way to Aim; Bowhunting World; Jun. 2002; p. 70.
 Taming Bow Torque; Bowhunting World; Aug. 2002; pp. 91–92.
 Guns & Gear; Jun. 2002; Introducing New Extreme Gear.
 Richard Combs; Bow Sights 2002; Archery Business; Mar./Apr. 2002; pp. 54–56 and 66.
 Truglo Product Catalog; 2001; pp. 1–20; McKinney, Texas.
 Whitetail Bowhunter; AMO Uniting the Industry; 2001; pp. 87, 96 and unknown.
 Cabela's catalog; date unknown; p. 803.
 Bill Krenz; Trophy Ridge Mantis and Vdrive Sights; Inside Archery; Feb. 2004; pp. 92, 52 and unknown.
 Bill Krenz; Five Star Bow Report; Bowhunt America; Feb./Mar. 2004; pp. 50, 61 and unknown.
 Richard Combs; Bow Sights 2002; Archery Business; Mar./Apr. 2002; pp. 54–59.
 Bow Masters; Feb. 2002; pp. 16, 23 unknown.
 Bow Masters; Buyer's Guide; Aug. 2002; p. 45.
 Cabela's Archery catalog; 2004; pp. 60–61, 65.
 Cobra Manufacturing Co., Inc. website printout; www.cobraarchery.com; Cobra Accessories; 2004; pp. 1–3.
 Cobra Manufacturing Co., Inc. website printout; www.cobraarchery.com; Cobra Scopes; 2004; pp. 1–2.
 Cobra Manufacturing Co., Inc. website printout; www.cobraarchery.com; Cobra Signature Scopes; 2004; pp. 1–2.
 Sight Master website printout; www.sight-master.com; 2003; Townsend, Montana; pp. 1–6.
 Carbon Impact product catalog; 1999; Traverse City, Missouri; pp. 1–8.
 Toxonics Manufacturing, Inc. sight photographs; date unknown; Wentzville, Montana; pp. 1–7.
 Majestic Hunter Bow Sight by Altier Archery, Mfg. photographs; date unknown; Honesdale, Pennsylvania; pp. 1–6.
 * cited by examiner

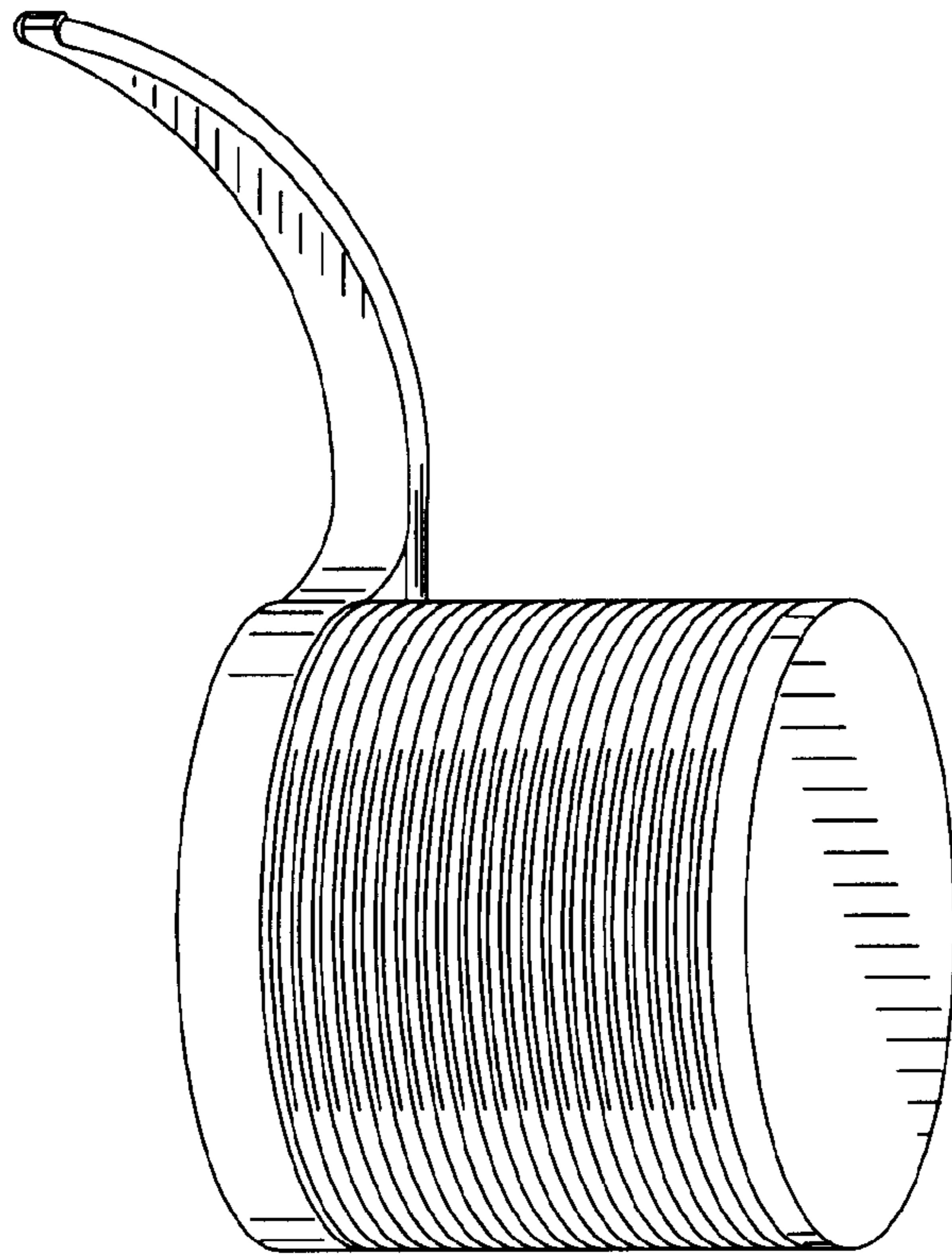


FIG. 1

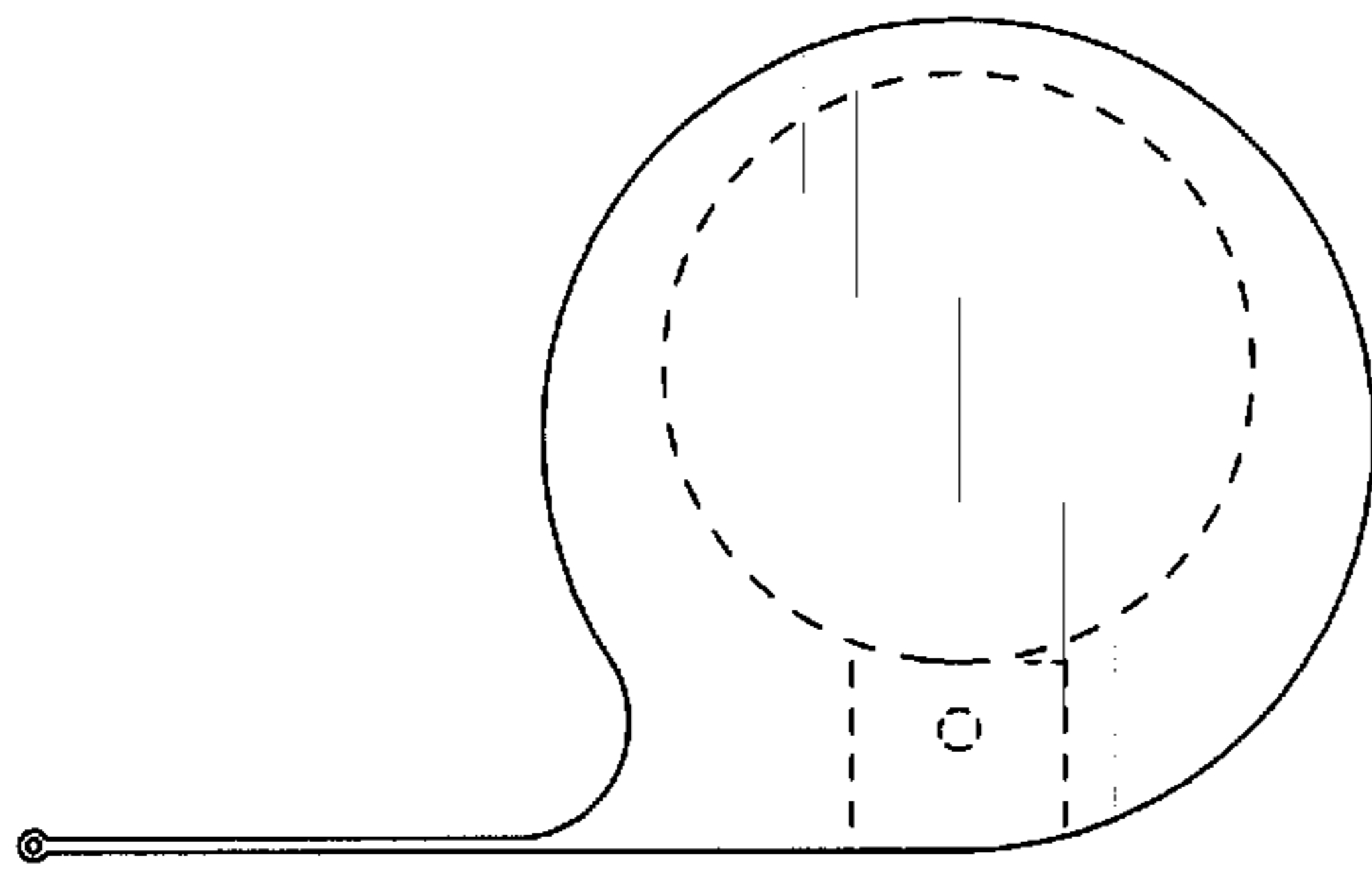


FIG. 2

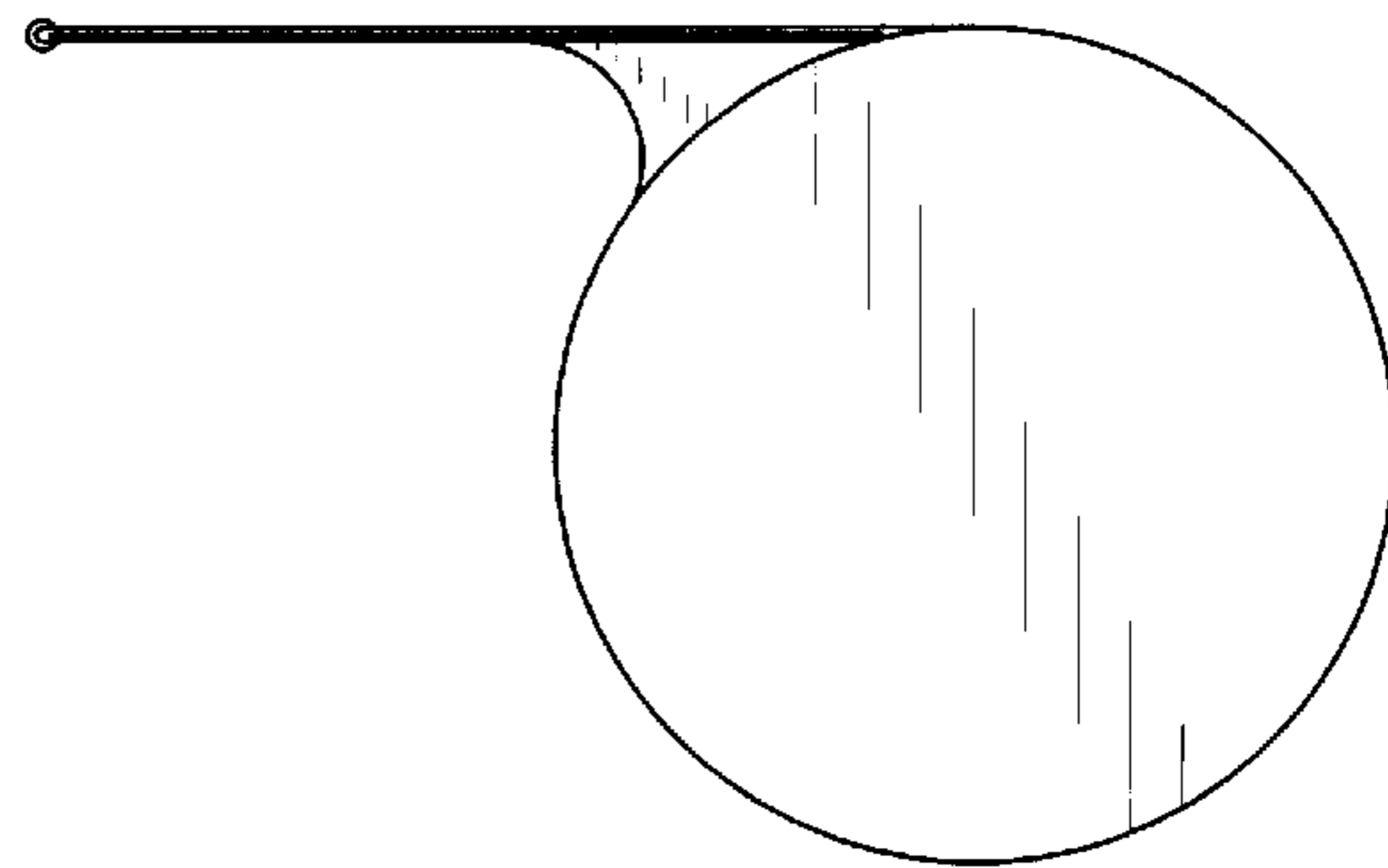


FIG. 3

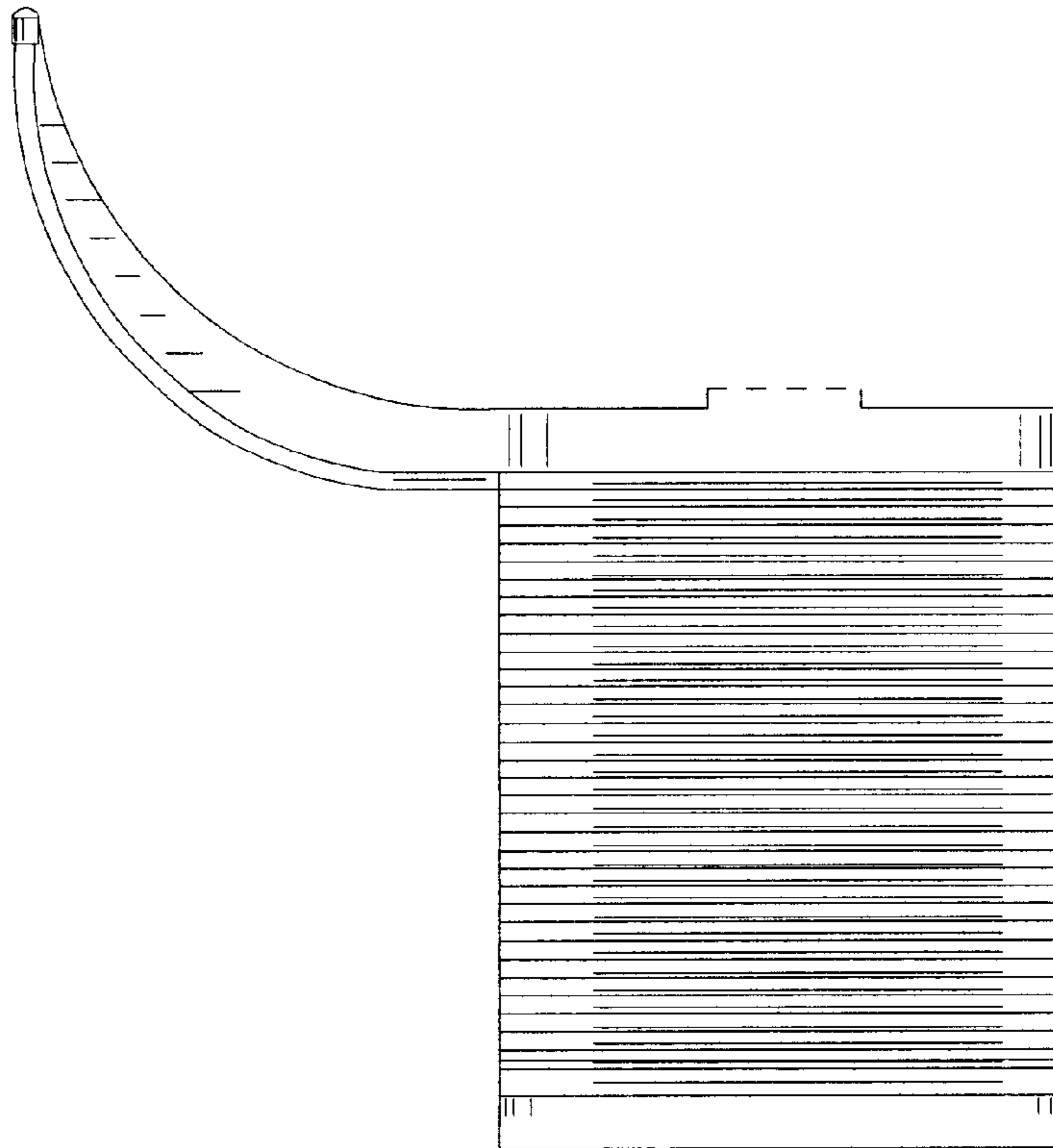


FIG. 5

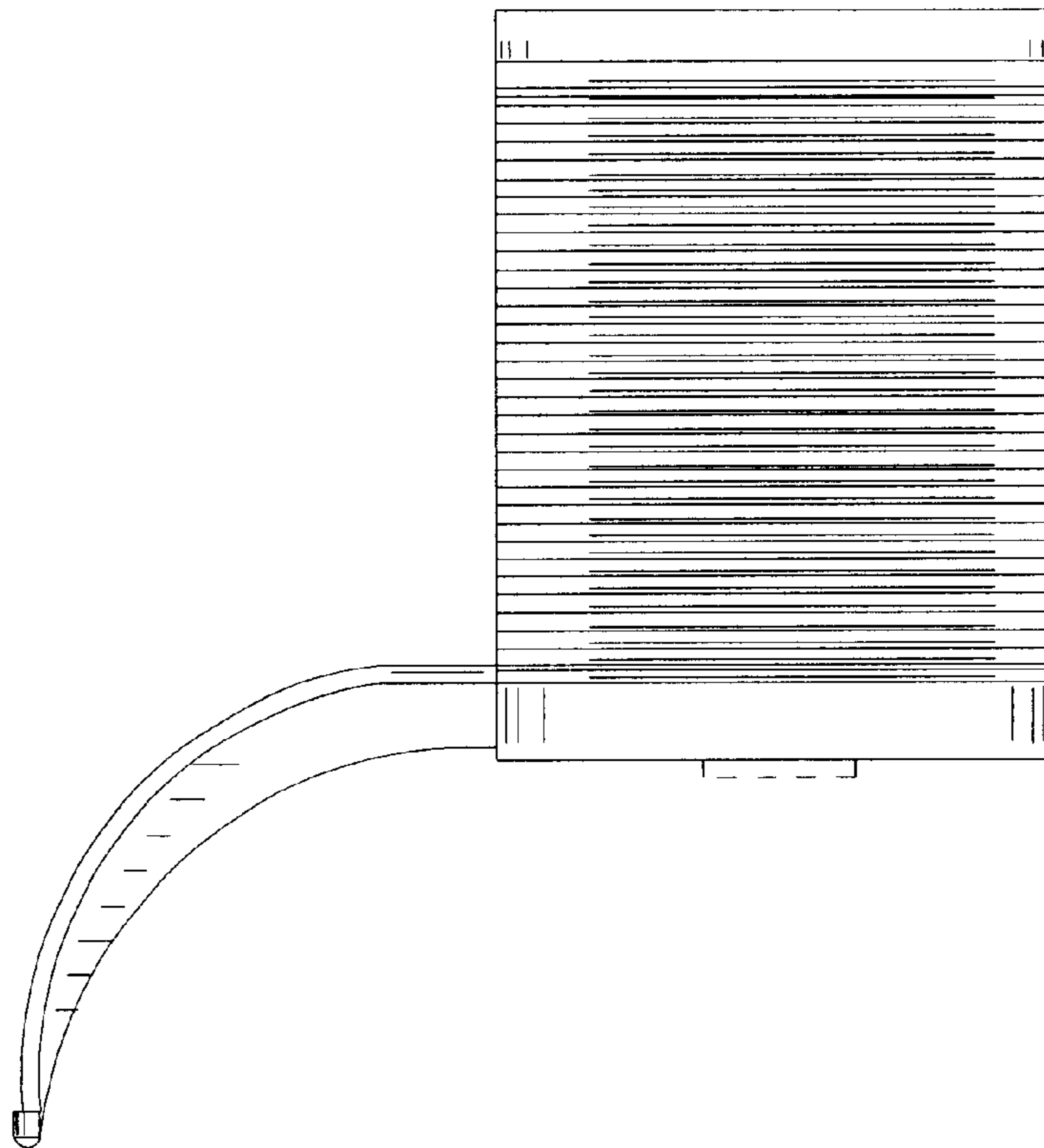


FIG. 4

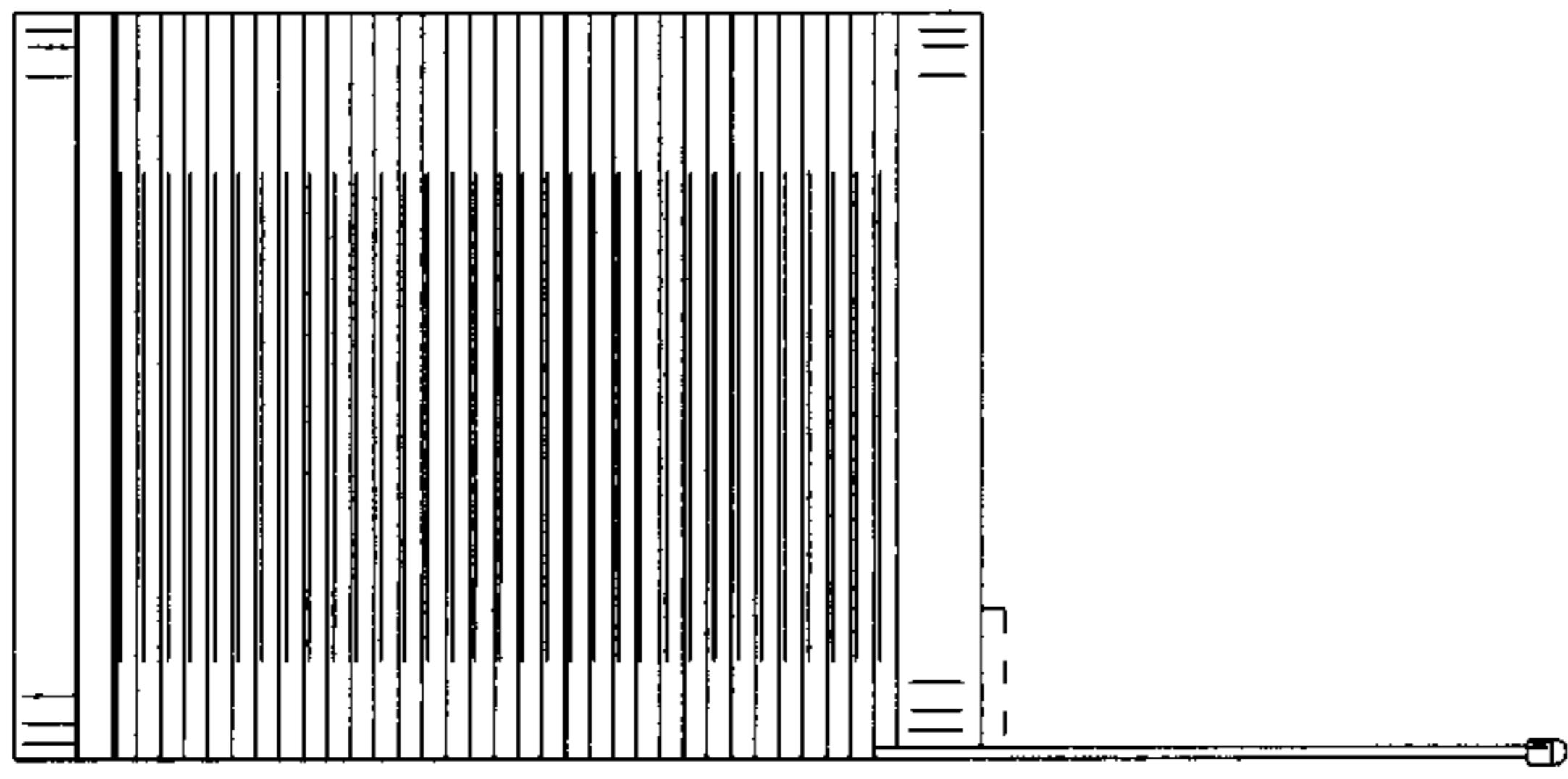


FIG. 6

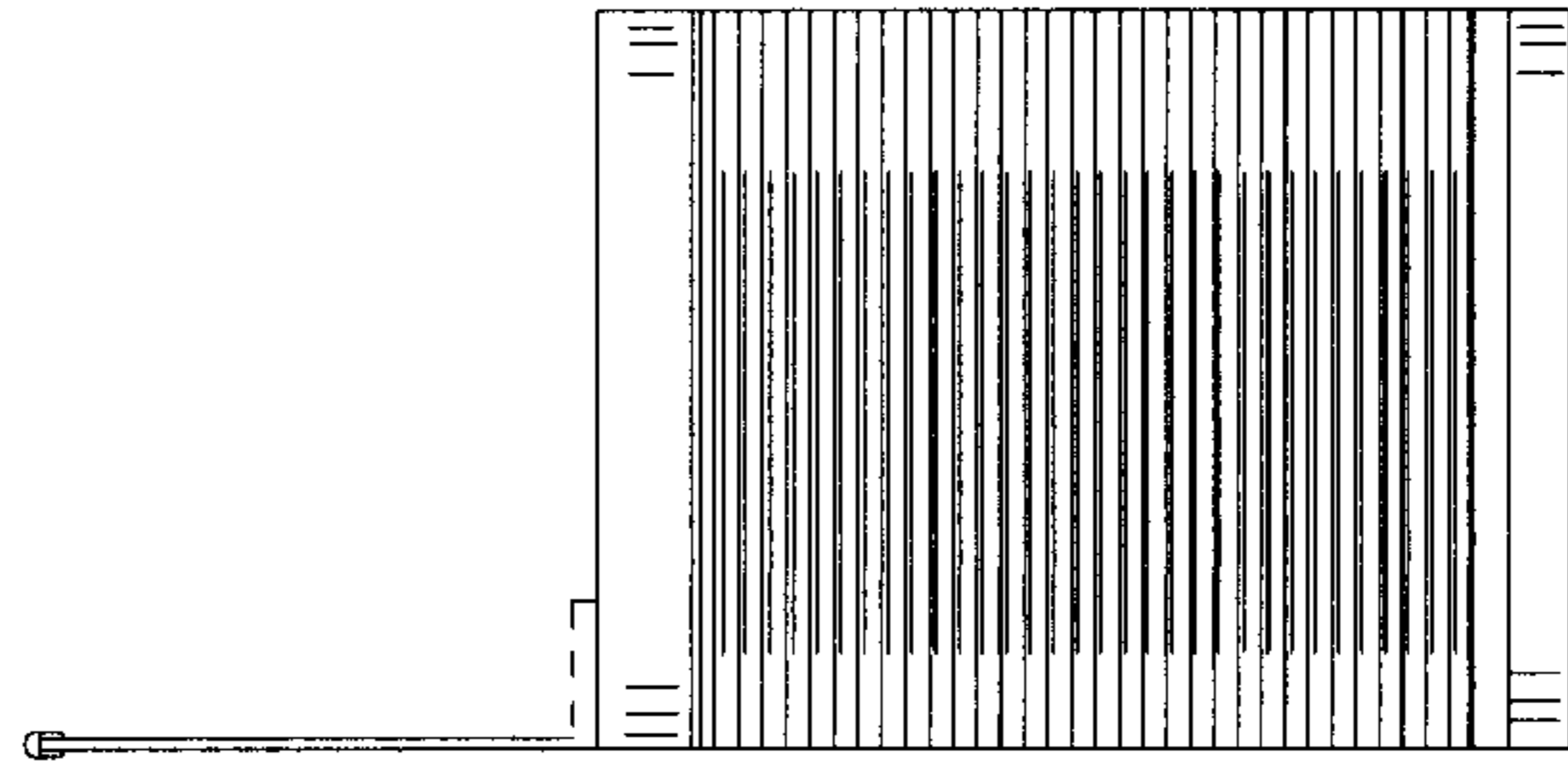


FIG. 7