



US00D522082S

(12) **United States Design Patent**
Peterson

(10) **Patent No.:** **US D522,082 S**

(45) **Date of Patent:** **** May 30, 2006**

(54) **INFLATABLE PLAYGROUND SYSTEM**

(75) **Inventor:** **Leroy L. Peterson, Omaha, NE (US)**

(73) **Assignee:** **Sportsstuff, Inc., Omaha, NE (US)**

(**) **Term:** **14 Years**

(21) **Appl. No.:** **29/222,244**

(22) **Filed:** **Jan. 27, 2005**

(51) **LOC (8) Cl.** **21-03**

(52) **U.S. Cl.** **D21/818**

(58) **Field of Classification Search** D21/811,
D21/814, 818-828, 835; 472/116, 117
See application file for complete search history.

(56) **References Cited**

U.S. PATENT DOCUMENTS

D207,105 S	*	3/1967	Gale	D21/818
D217,486 S	*	5/1970	McHugh	D21/820
4,343,464 A	*	8/1982	Dose	472/116
D340,965 S	*	11/1993	Lee	D21/818
D428,959 S	*	8/2000	Addleman	D21/820

D429,306 S	*	8/2000	Addleman	D21/818
D441,825 S	*	5/2001	Han	D21/820
D460,141 S	*	7/2002	Gourchounian	D21/820
D472,292 S	*	3/2003	Peterson	D21/818

* cited by examiner

Primary Examiner—Mitchell Siegel

(74) *Attorney, Agent, or Firm*—Sturm & Fix LLP

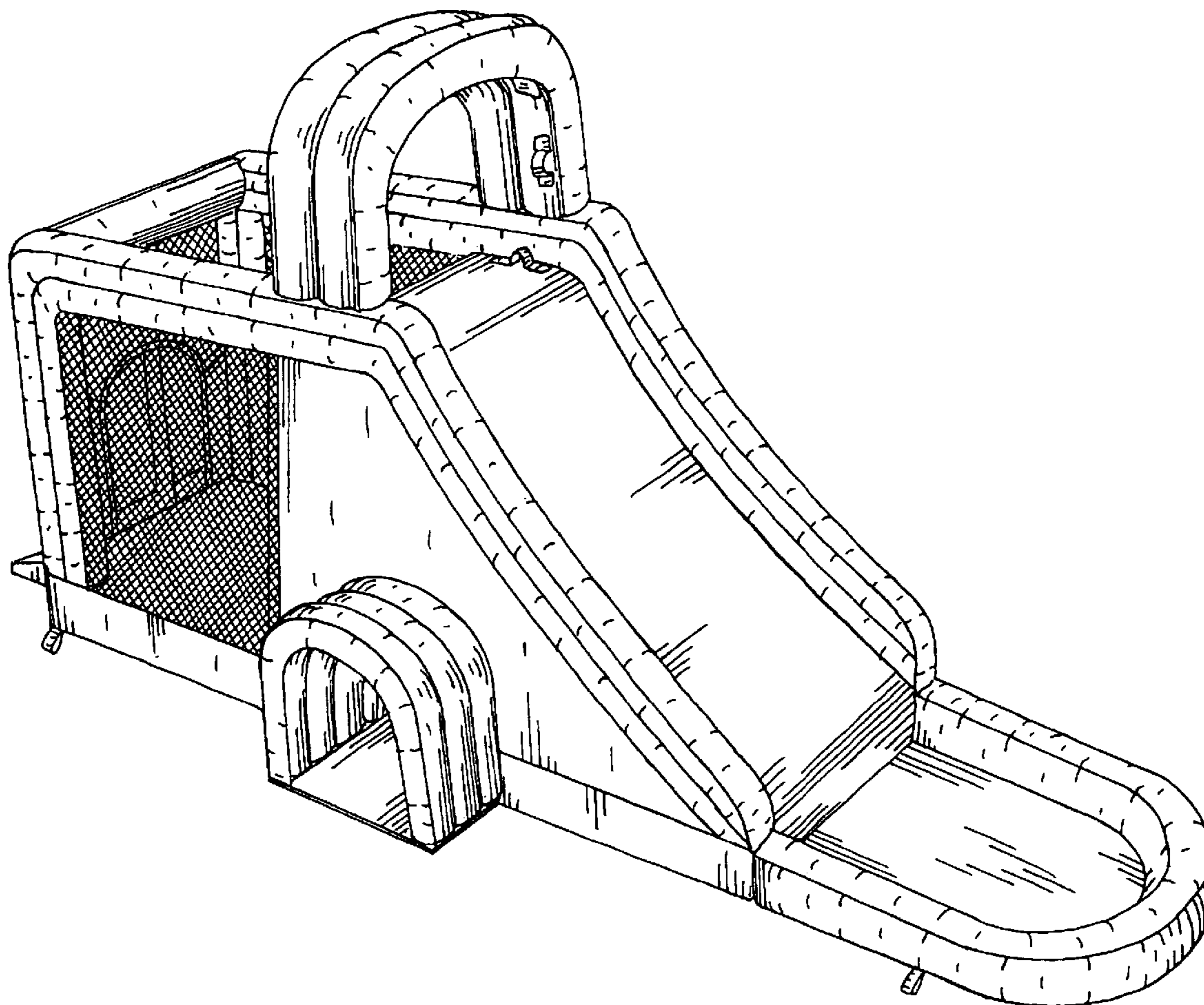
(57) **CLAIM**

The ornamental design for an inflatable playground system, as shown and described.

DESCRIPTION

FIG. 1 is a perspective view of the inflatable playground system showing my new design; FIG. 2 is a right side elevational view thereof, the left side elevational view being a mirror image thereof; FIG. 3 is a rear elevational view thereof; FIG. 4 is a front elevational view thereof; FIG. 5 is a top plan view thereof; and, FIG. 6 is a bottom plan view thereof.

1 Claim, 5 Drawing Sheets



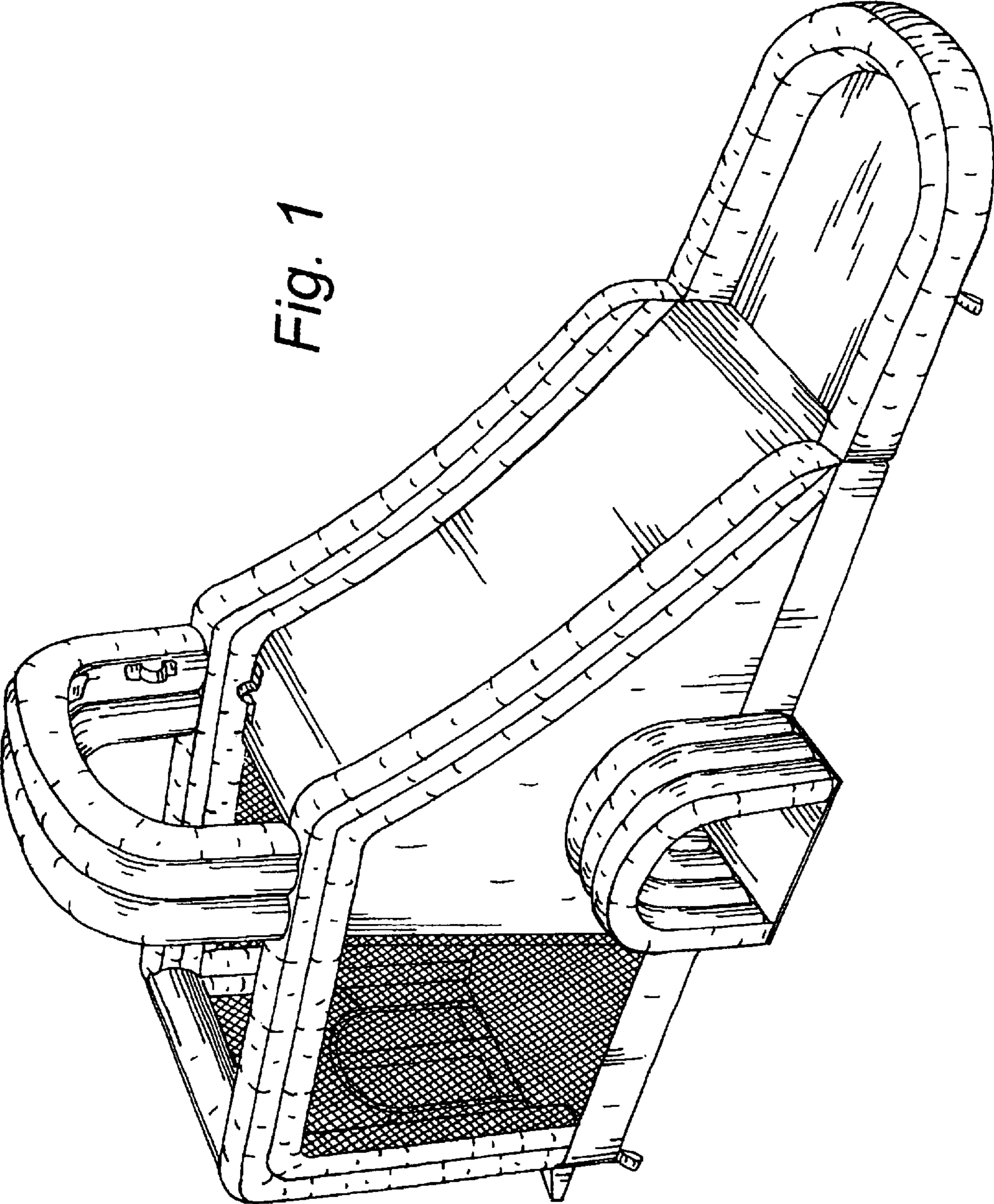


Fig. 1

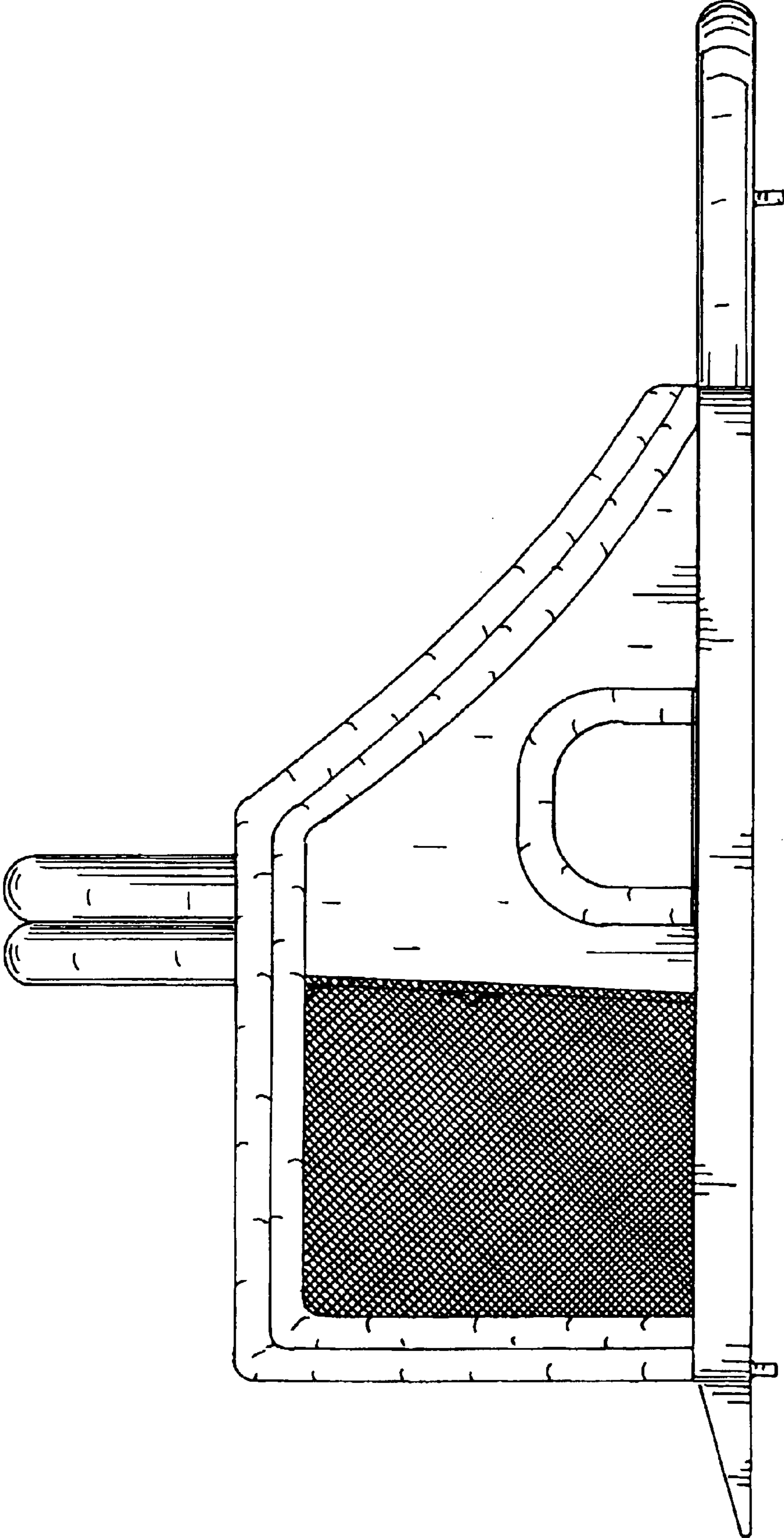


Fig. 2

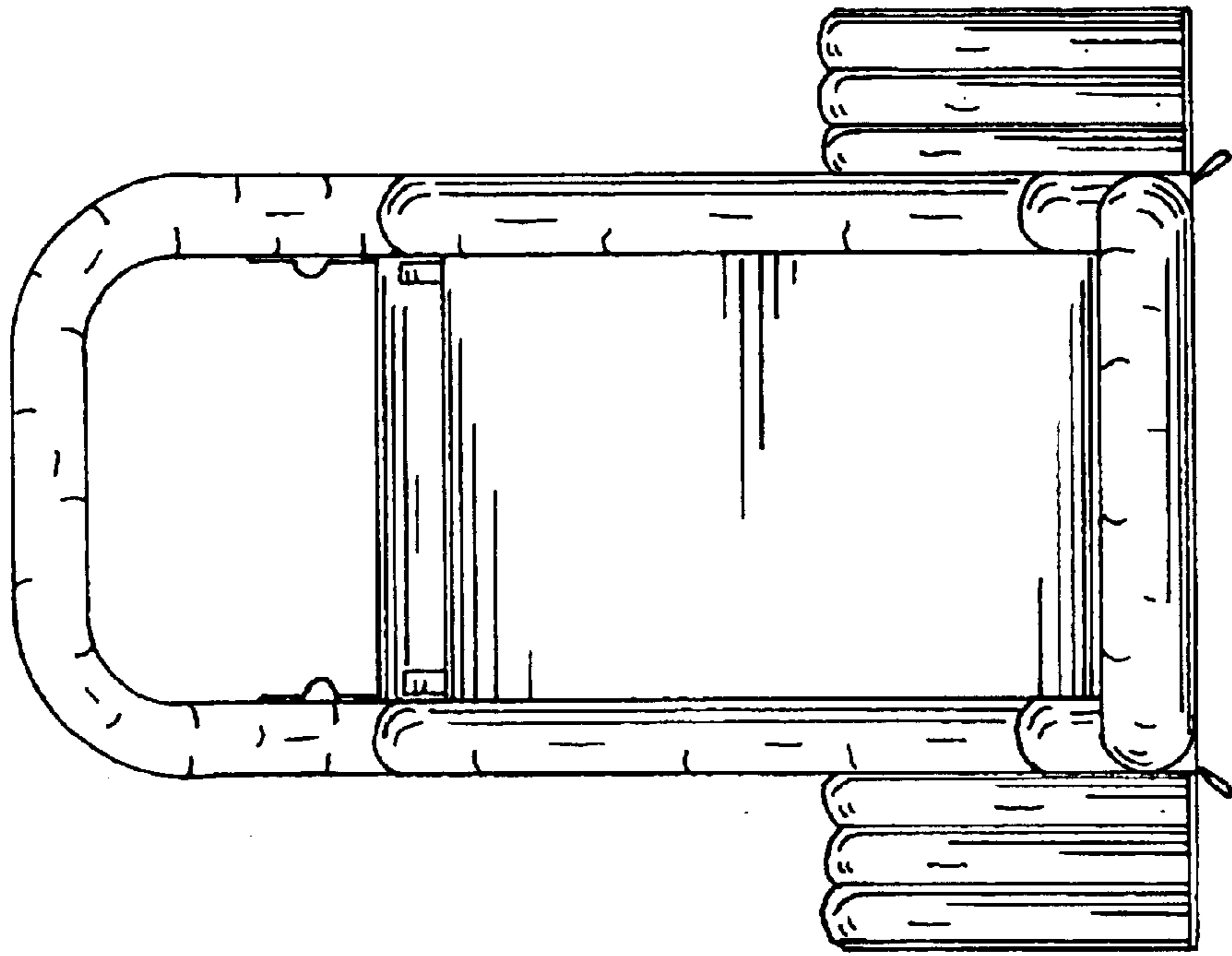


Fig. 4

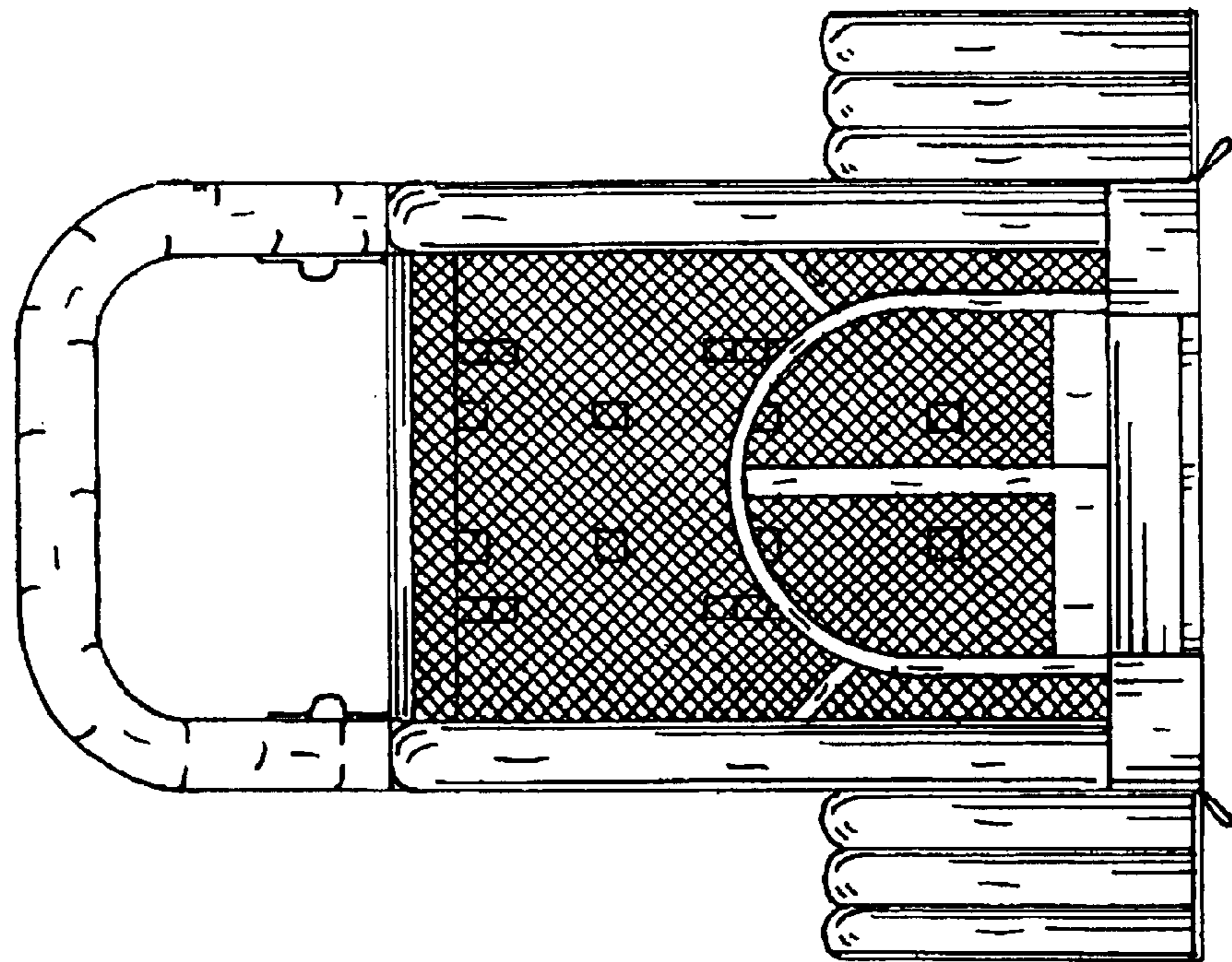


Fig. 3

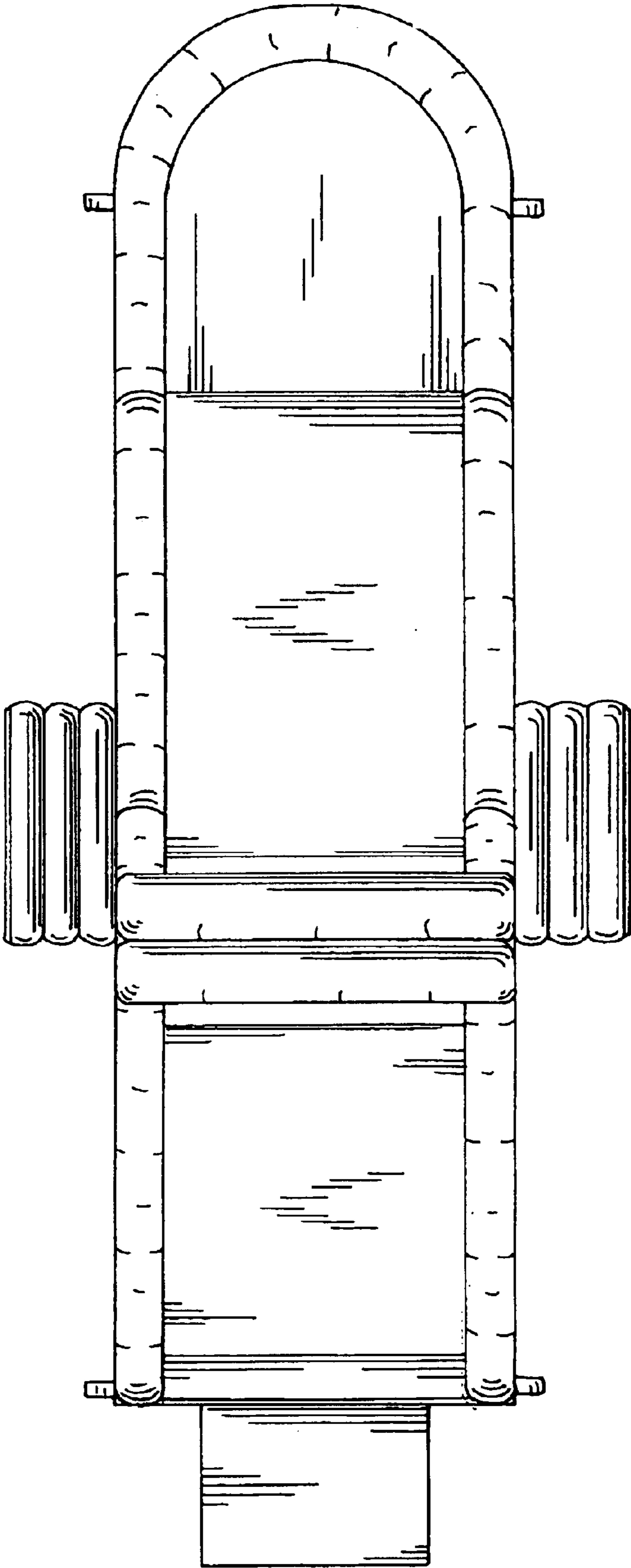


Fig. 5

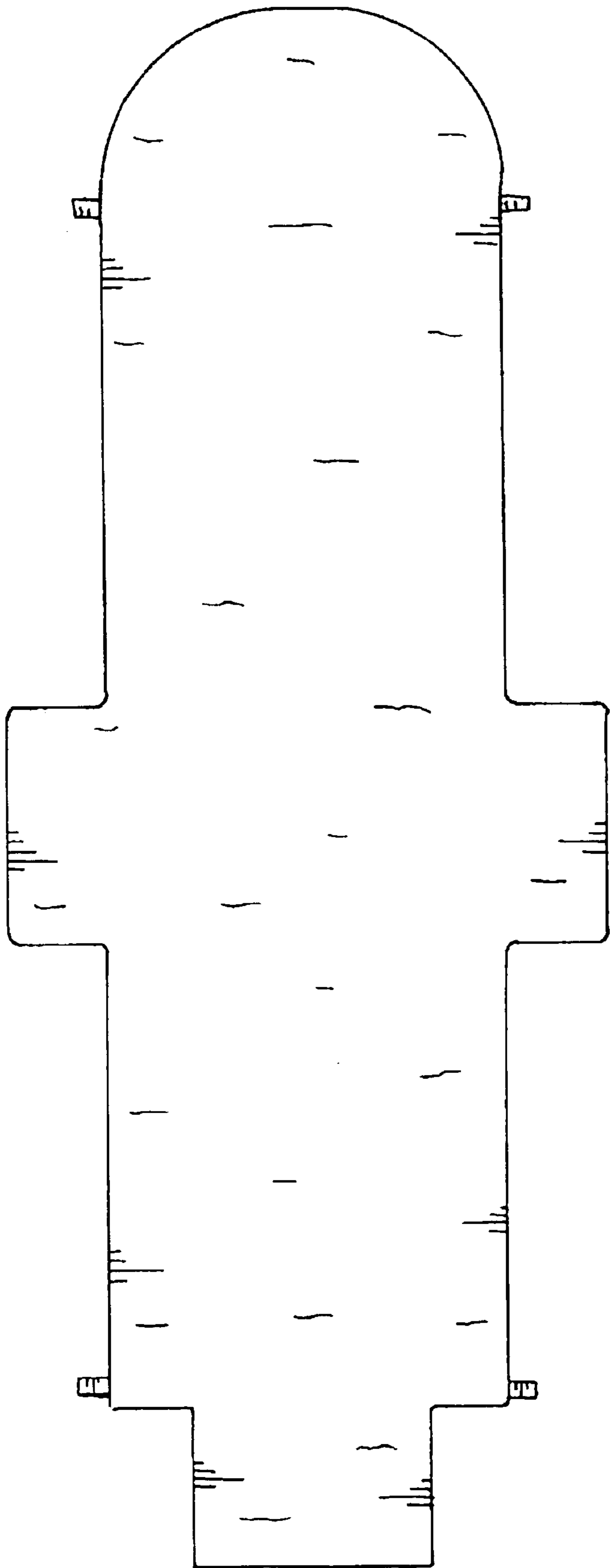


Fig. 6