



US00D522081S

(12) **United States Design Patent**  
**Leadbetter et al.**

(10) **Patent No.:** **US D522,081 S**

(45) **Date of Patent:** **\*\* May 30, 2006**

(54) **GOLF CLUB TRAINING HEAD**

D500,352 S \* 12/2004 Sullivan ..... D21/791

(75) Inventors: **David Leadbetter**, Orlando, FL (US);  
**F. Blaik Shew**, Orlando, FL (US)

\* cited by examiner

(73) Assignee: **Daivd Leadbetter Enterprises, Inc.**,  
Champions Gate, FL (US)

*Primary Examiner*—Mitchell Siegel  
(74) *Attorney, Agent, or Firm*—Allen, Dyer, Doppelt,  
Milbrath & Gilchrist, P.A.

(\*\*) Term: **14 Years**

(57) **CLAIM**

(21) Appl. No.: **29/225,869**

The ornamental design for a golf club training head, as shown and described.

(22) Filed: **Mar. 21, 2005**

**DESCRIPTION**

(51) **LOC (8) Cl.** ..... **21-02**

FIG. 1 is a front right and bottom perspective view of one embodiment of our golf club training head;  
FIG. 2 is a front left and top perspective view, thereof;  
FIG. 3 is a left rear perspective view thereof;  
FIG. 4 is a bottom plan view thereof;  
FIG. 5 is a top plan view thereof; and,  
FIG. 6 is a left rear perspective view of a second embodiment of the golf club training head as disclosed in FIG. 1. The undisclosed sides being identical to FIGS. 1, 2, 4 and 5. The broken lines showing in the attached drawings are for illustrative purposes only and form no part of the claimed design.

(52) **U.S. Cl.** ..... **D21/791**

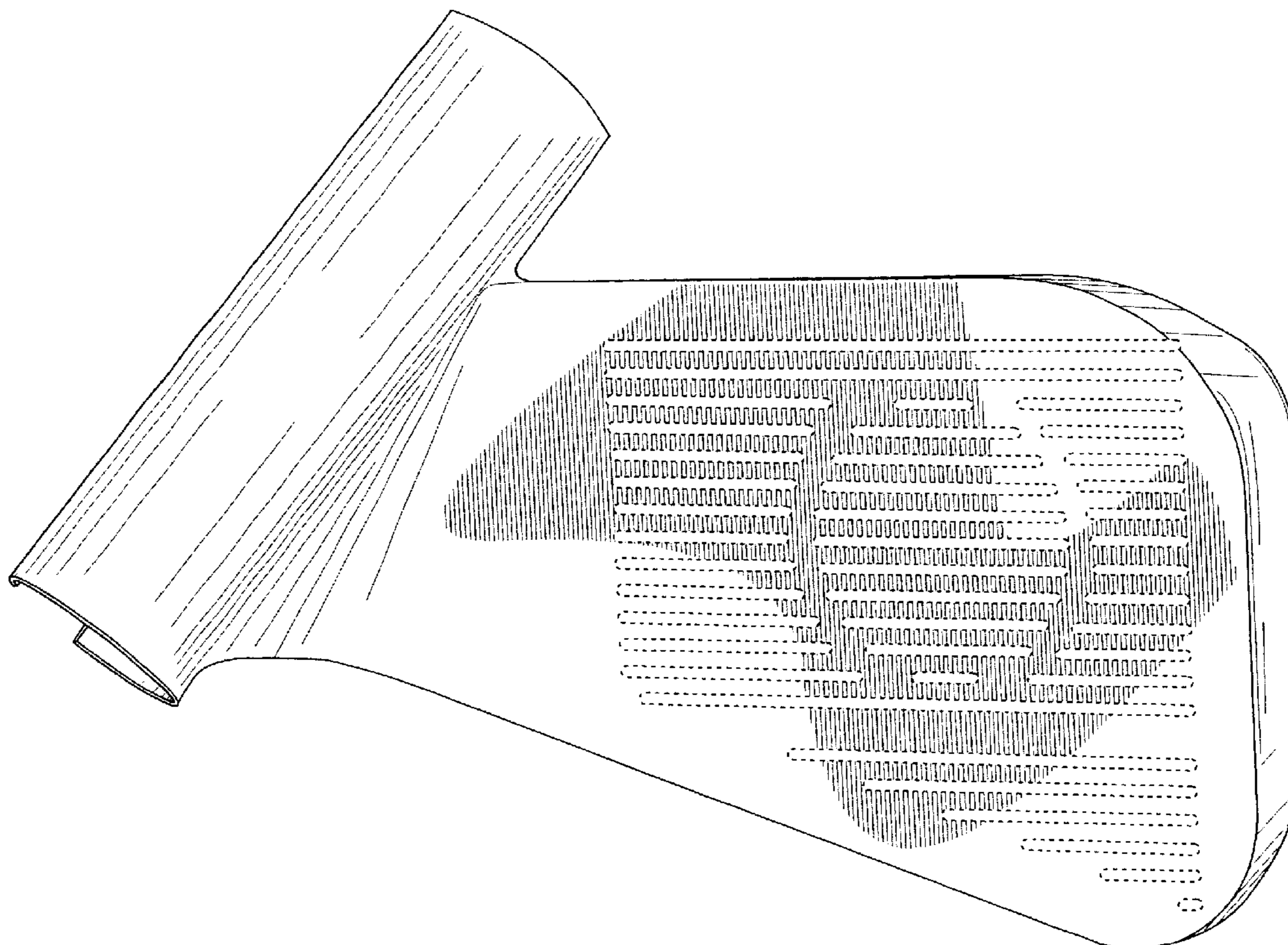
(58) **Field of Classification Search** ..... D21/789,  
D21/791, 753, 759; 473/219, 226, 228, 206  
See application file for complete search history.

(56) **References Cited**

**U.S. PATENT DOCUMENTS**

- D233,006 S \* 10/1974 Osborn ..... D21/759
- D306,335 S \* 2/1990 Franey ..... D21/759
- D441,043 S \* 4/2001 Barnette ..... D21/789

**1 Claim, 5 Drawing Sheets**



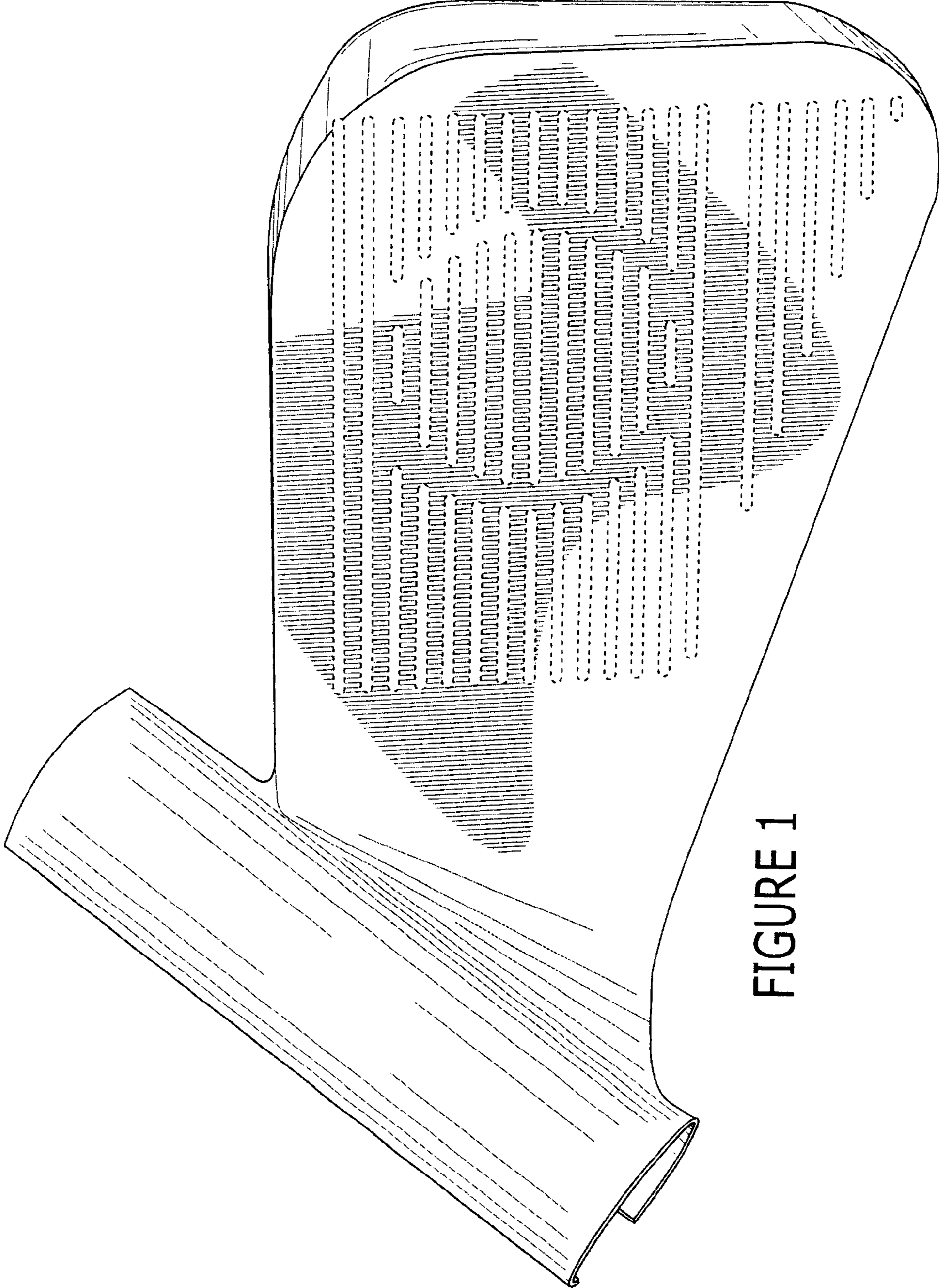


FIGURE 1

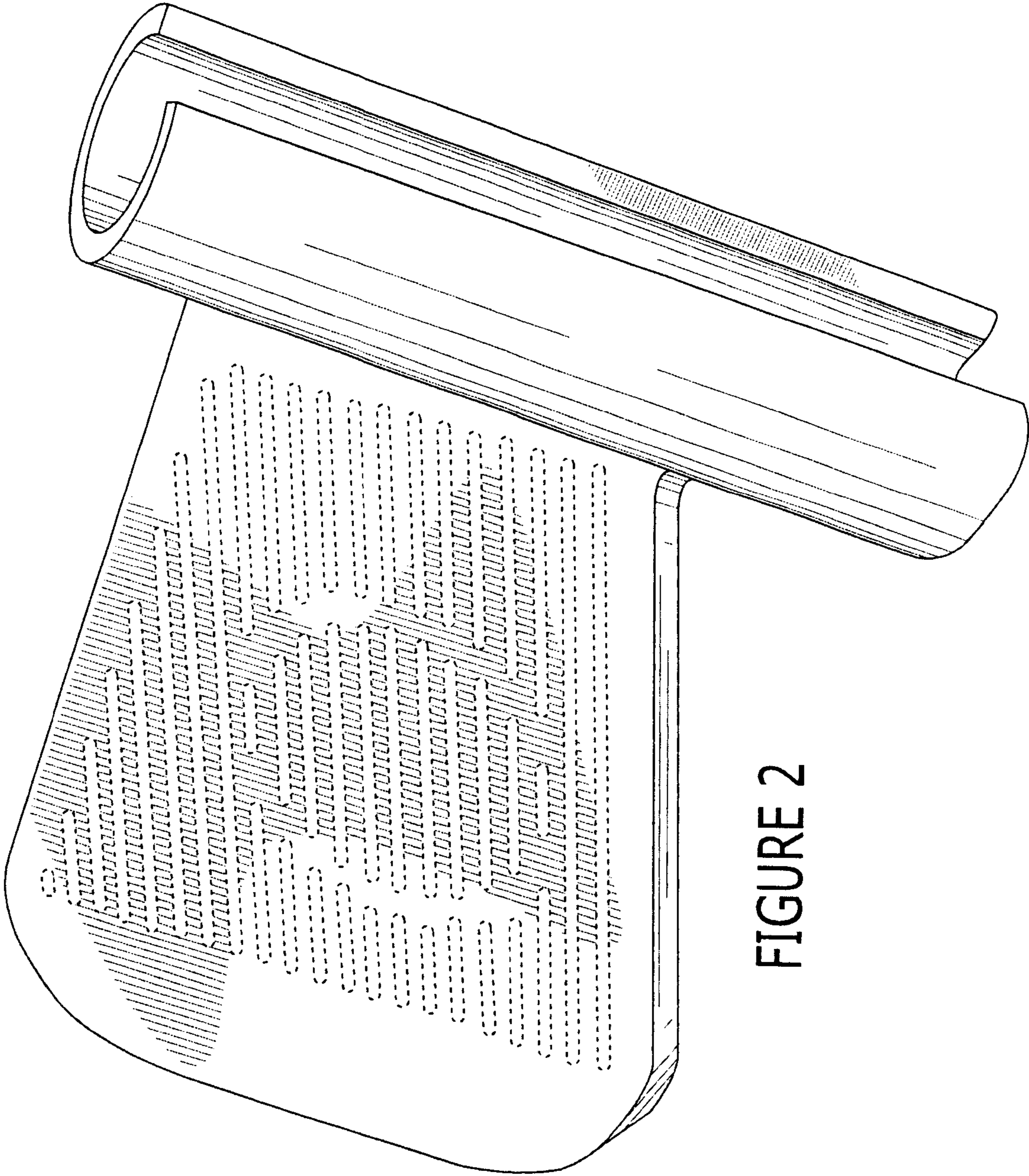


FIGURE 2

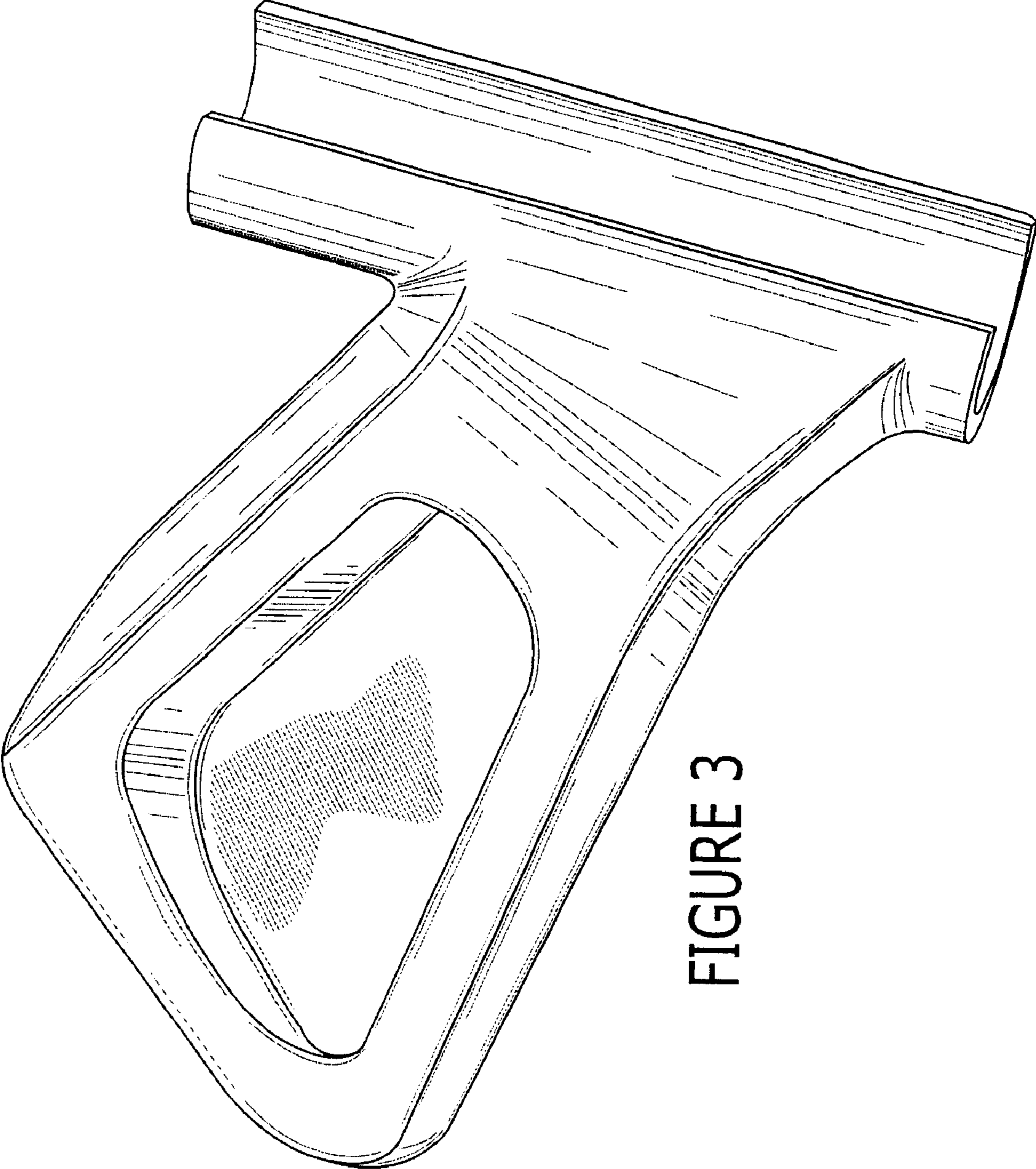


FIGURE 3

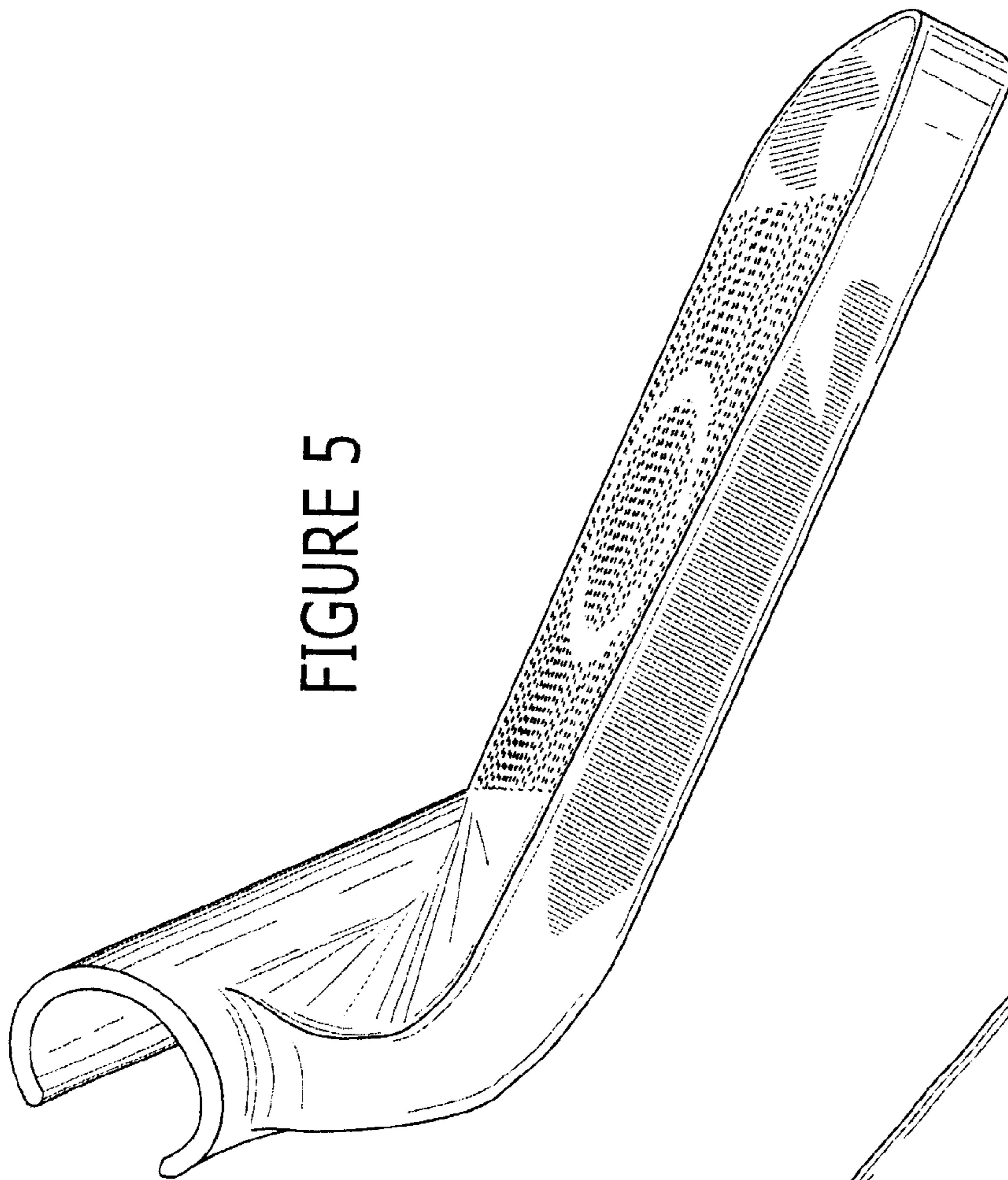


FIGURE 5

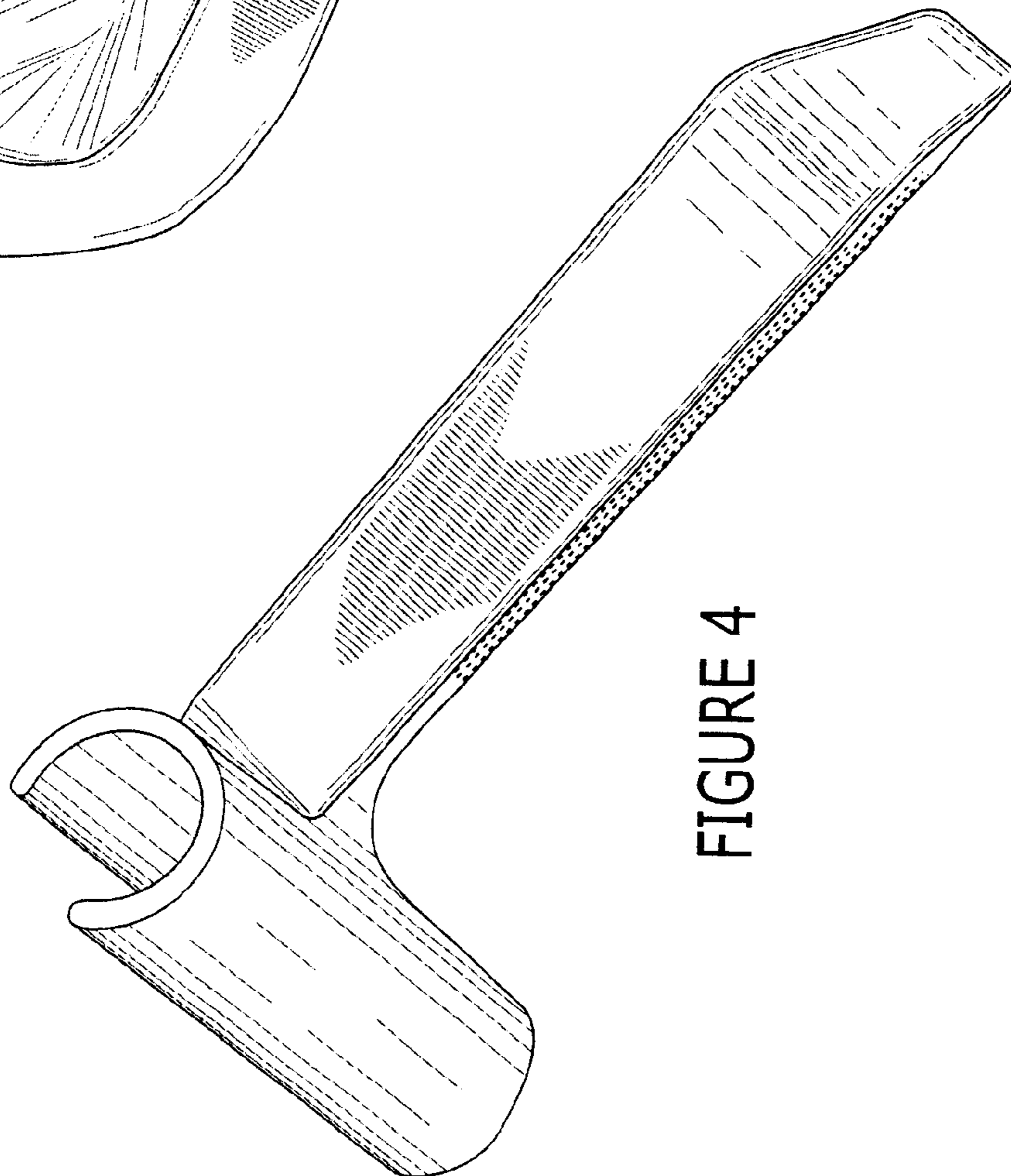


FIGURE 4

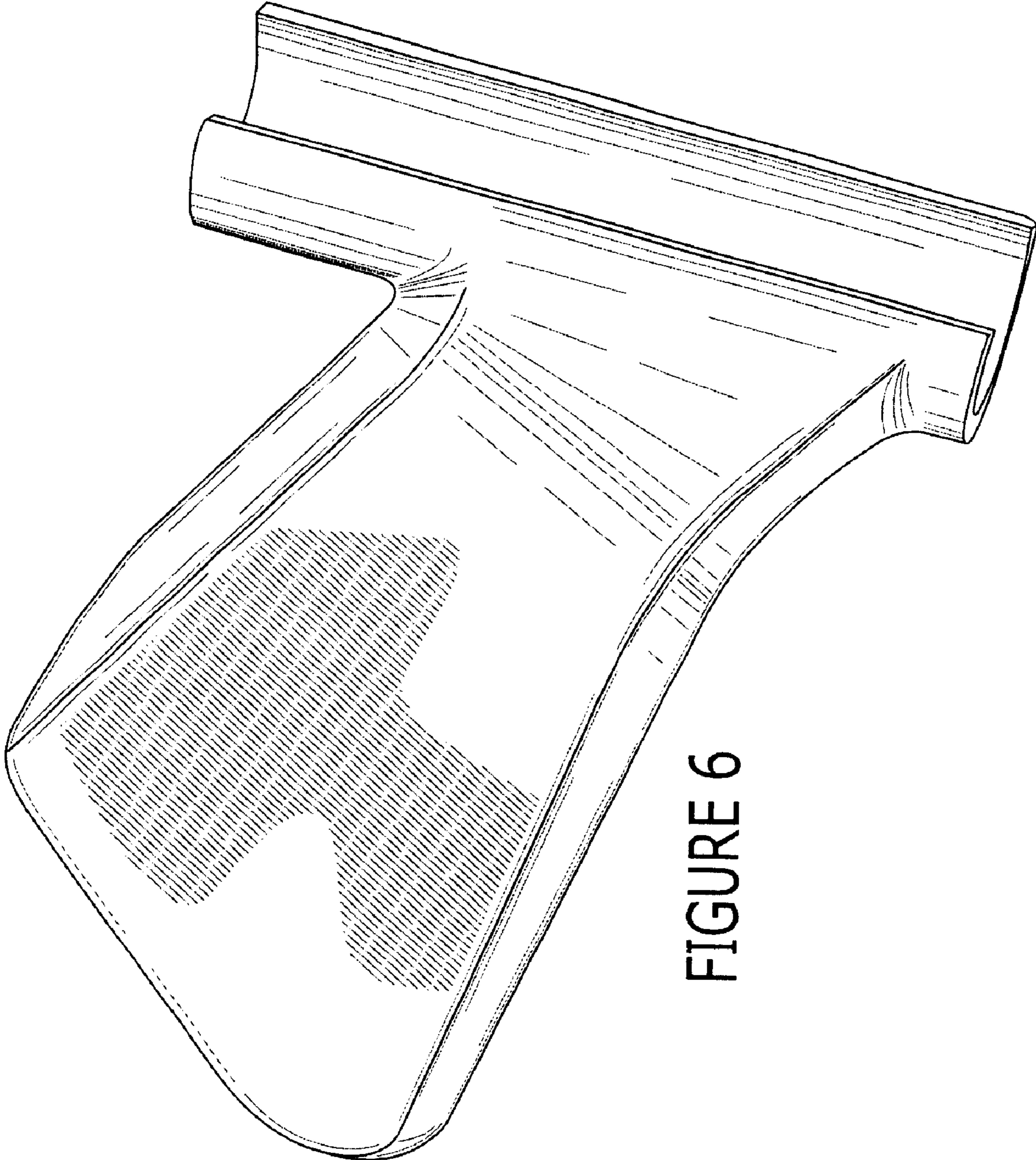


FIGURE 6