

US00D522076S

(12) **United States Design Patent**
Casey

(10) **Patent No.:** **US D522,076 S**

(45) **Date of Patent:** **** May 30, 2006**

(54) **WHEELED ABDOMINAL EXERCISER**
(75) Inventor: **Michael E. Casey**, Rancho Mirage, CA (US)
(73) Assignee: **Inventor's Management Group, Inc.**, Cleveland, OH (US)
(**) Term: **14 Years**

D394,482 S	5/1998	Colonello	D21/195
5,810,697 A	9/1998	Joiner	492/68
5,921,901 A	7/1999	Palacios	482/132
6,001,051 A	12/1999	Chuan-Pin	482/131
6,196,954 B1 *	3/2001	Chen	482/131
6,234,942 B1	5/2001	Yang	482/132
6,254,518 B1 *	7/2001	Yu	482/140
D468,511 S	1/2003	Liu	D34/15
D480,439 S	10/2003	Verheem et al.	D21/686
2004/0192516 A1	9/2004	Buechel, Jr. et al.	482/66
2004/0209751 A1	10/2004	Thonn, Jr.	482/140
2004/0209752 A1	10/2004	Thonn, Jr.	482/140

(21) Appl. No.: **29/230,708**
(22) Filed: **May 25, 2005**

* cited by examiner

(51) **LOC (8) Cl.** **21-02**
(52) **U.S. Cl.** **D21/687; D21/662; D21/423**
(58) **Field of Classification Search** D21/662,
D21/687, 423; D3/7; D12/130; 482/131,
482/140, 132; 280/47.3
See application file for complete search history.

Primary Examiner—Philip S. Hyder
(74) *Attorney, Agent, or Firm*—Cislo & Thomas LLP

(57) **CLAIM**

I claim the ornamental design for a wheeled abdominal exerciser, as shown and described herein.

(56) **References Cited**

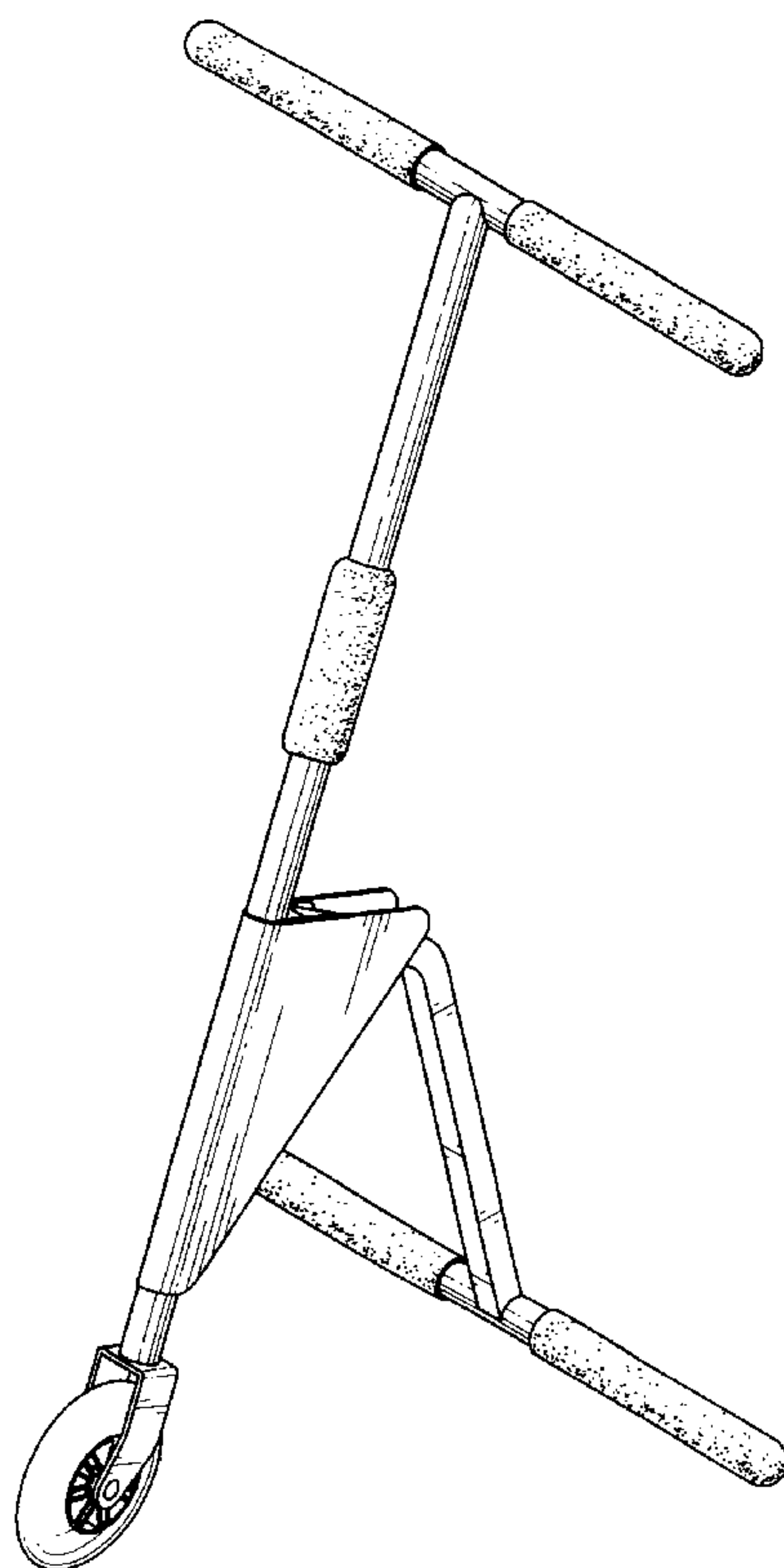
DESCRIPTION

U.S. PATENT DOCUMENTS

2,017,213 A	10/1935	Laborda	272/53
2,066,043 A	12/1936	Laborda	208/38
2,971,773 A	2/1961	McKissick	280/205
4,867,438 A	9/1989	Steckert et al.	272/70.3
D319,479 S	8/1991	Hur-Aoun	D21/194
D323,538 S	1/1992	Wright	D21/195
5,364,120 A	11/1994	Shimansky	280/650
5,421,604 A	6/1995	Wu	280/655
D375,534 S	11/1996	Lin	D21/195

FIG. 1. Is a perspective view of the wheeled abdominal exerciser;
FIG. 2. Is a right-side view of the said embodiment, the left-side view being a mirror image;
FIG. 3. Is a top view thereof;
FIG. 4. Is a bottom view thereof;
FIG. 5. Is a front view thereof; and,
FIG. 6. Is a rear view thereof.

1 Claim, 2 Drawing Sheets



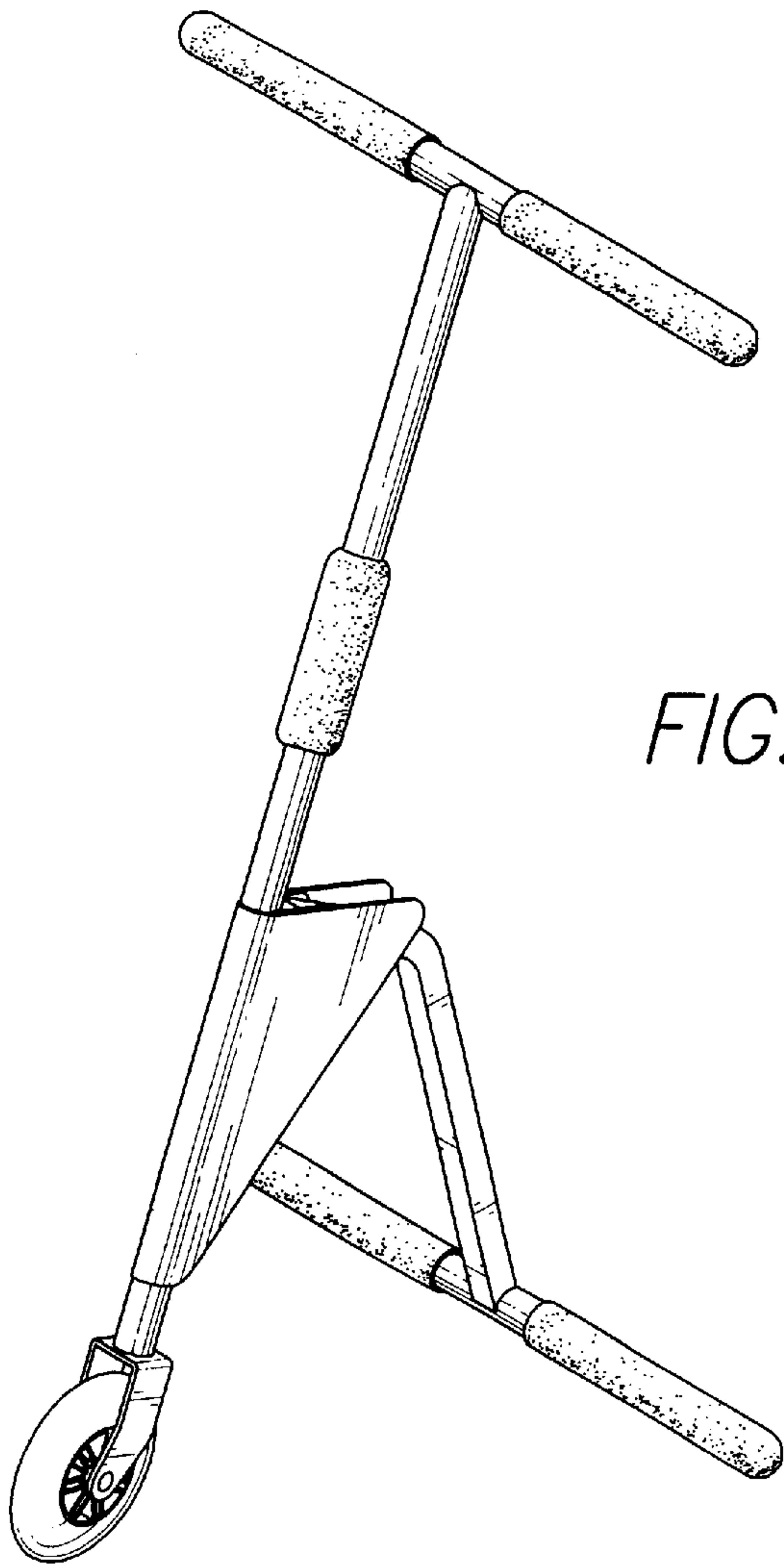


FIG. 1

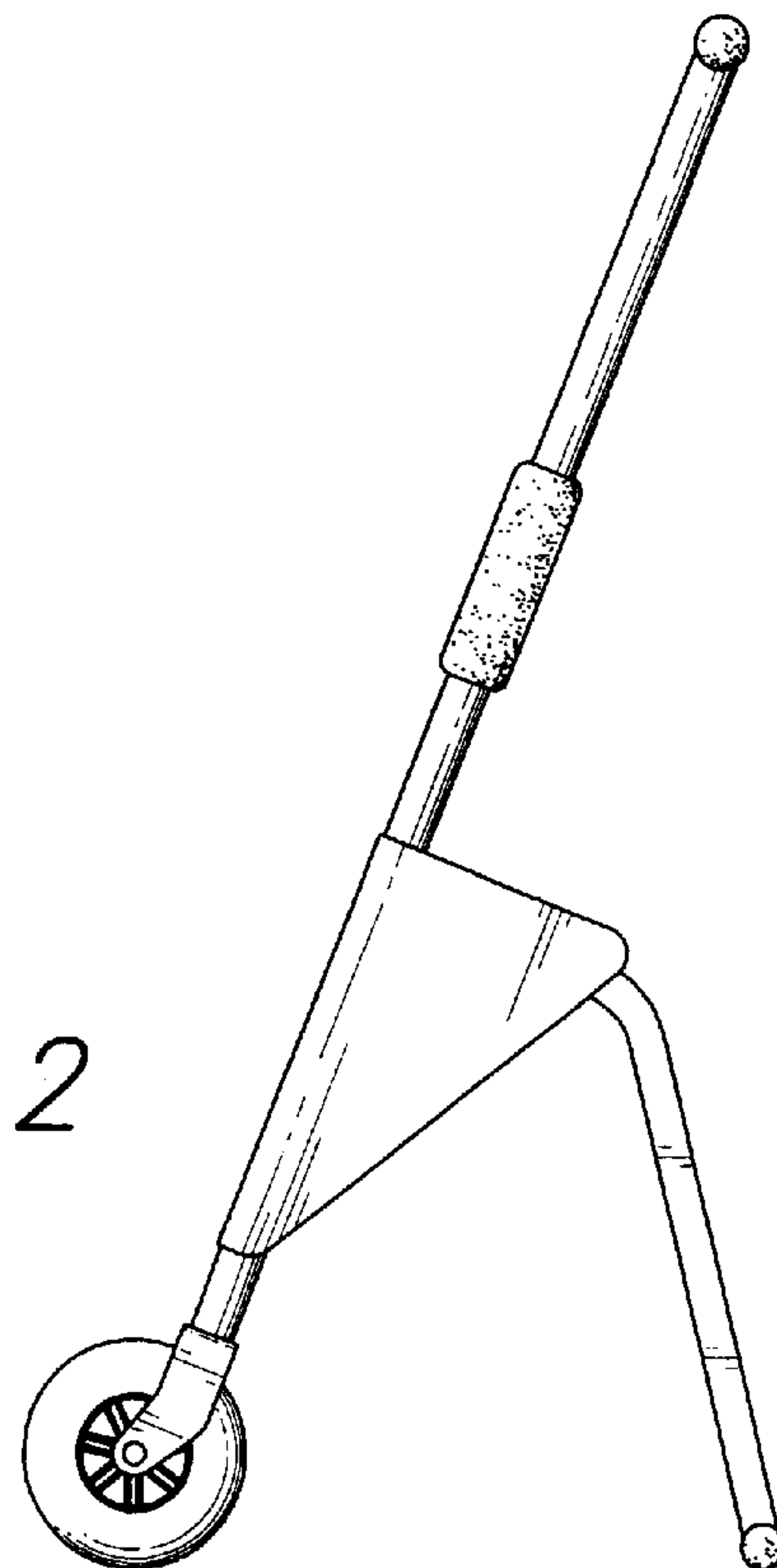


FIG. 2

FIG. 3

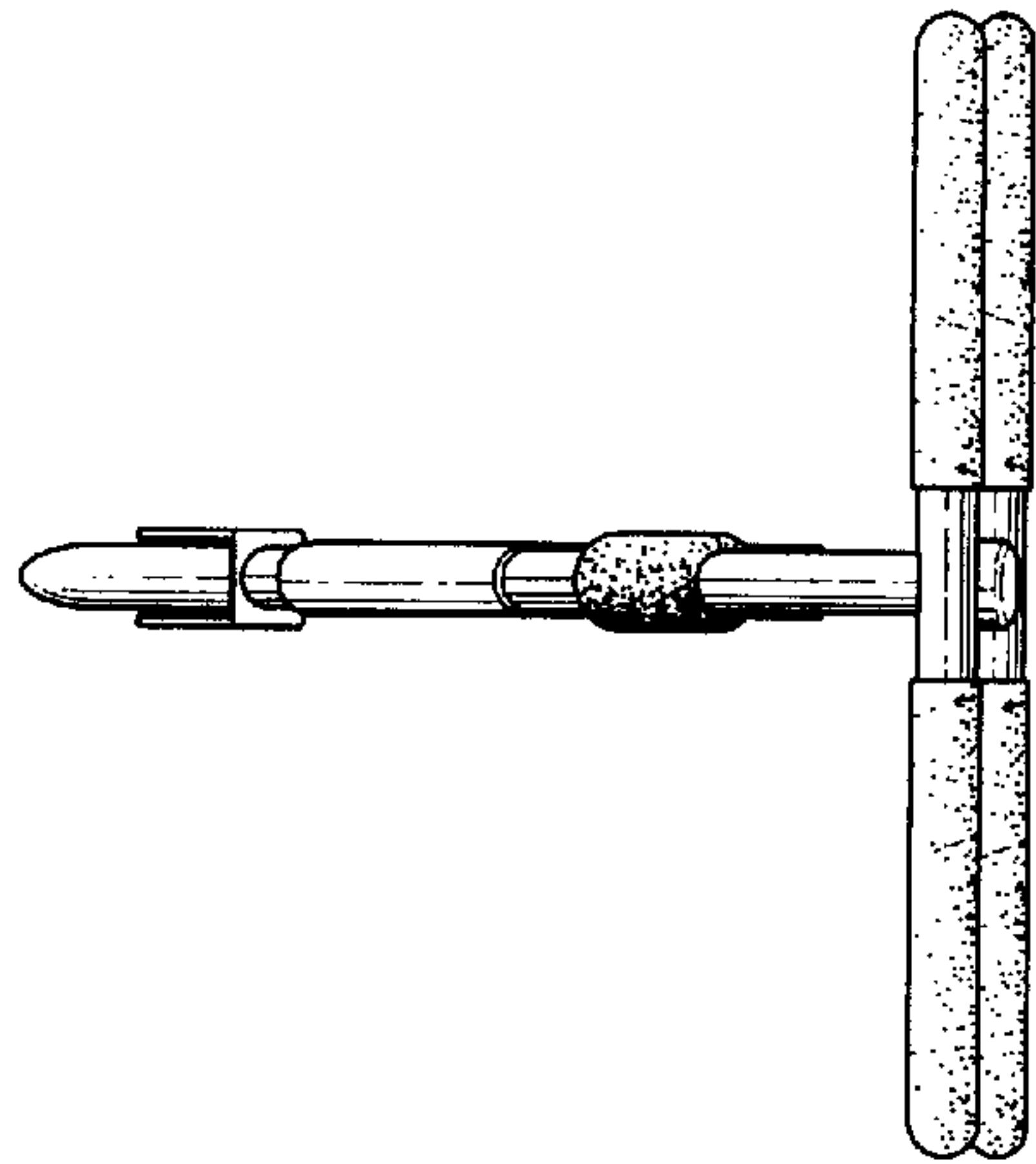


FIG. 4

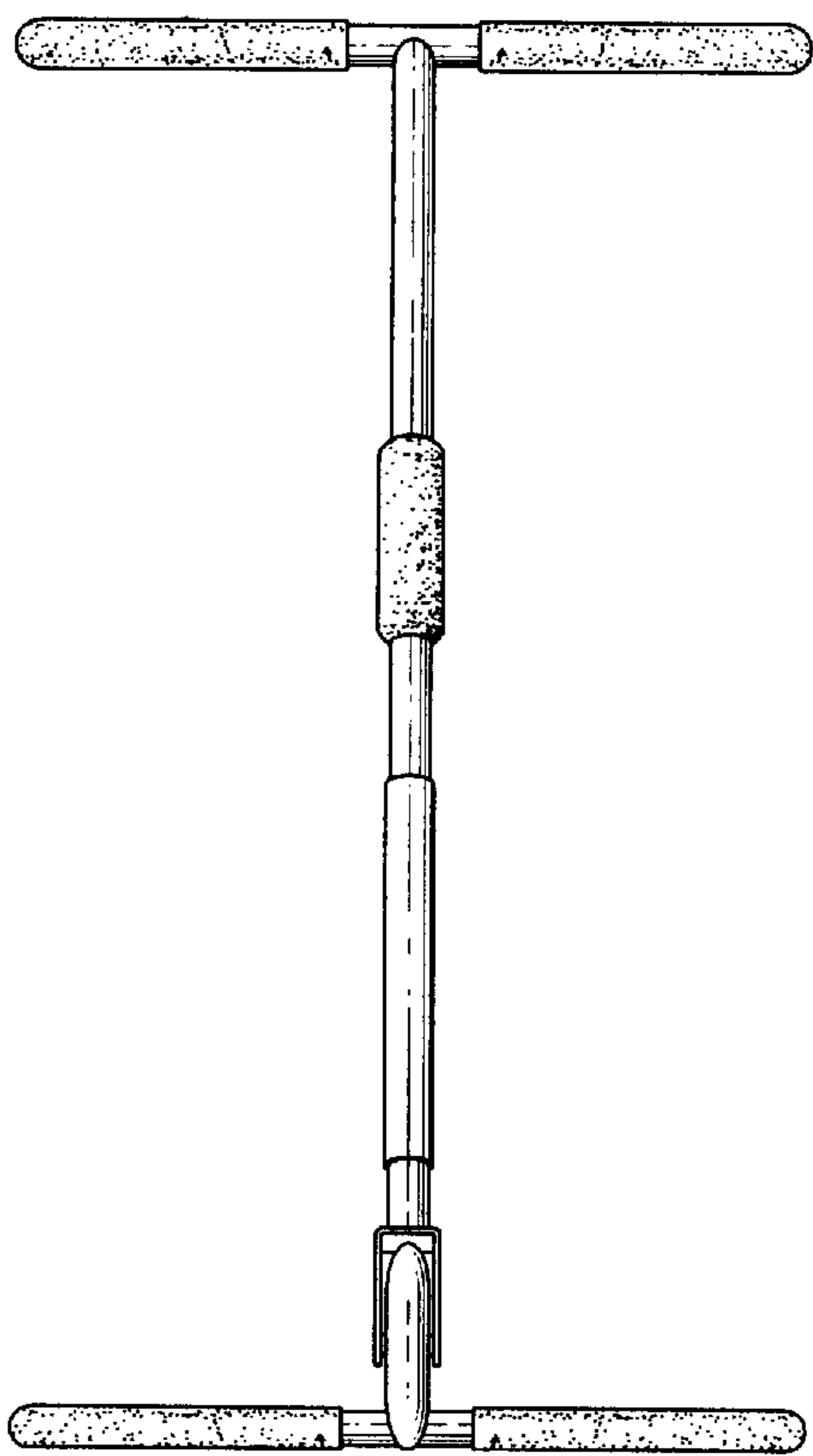
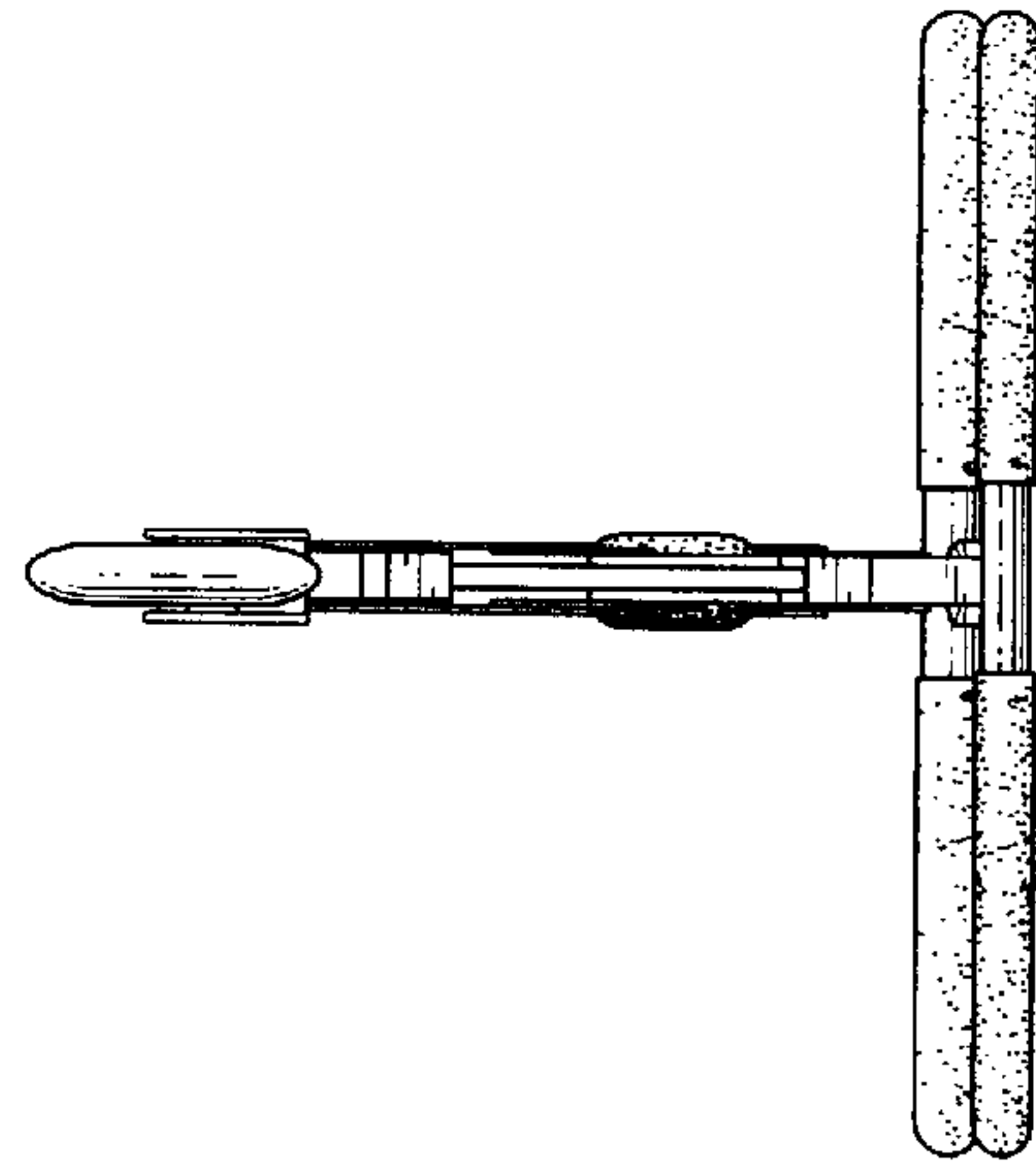


FIG. 5

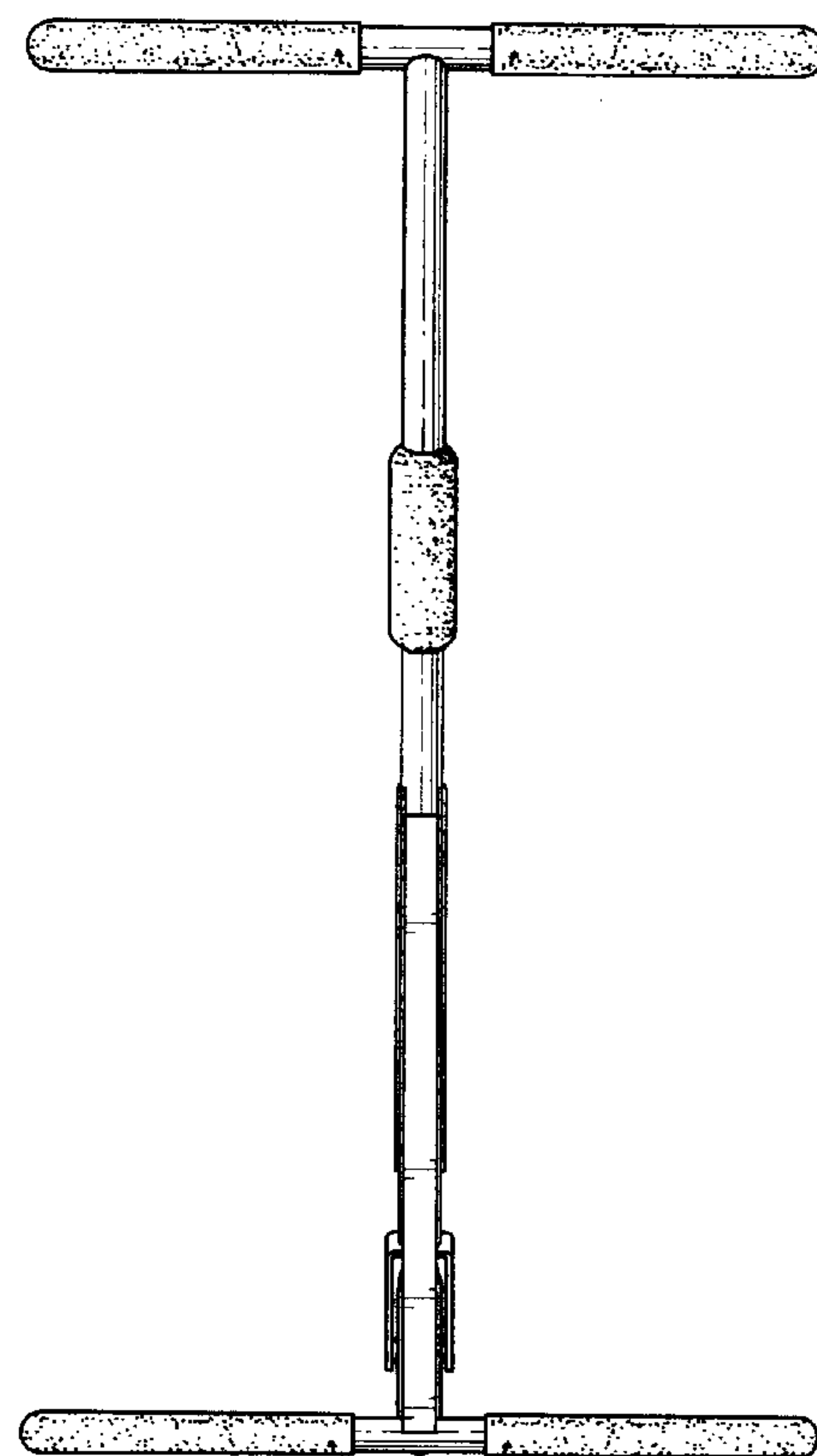


FIG. 6