

US00D522075S

(12) **United States Design Patent**
Cheng

(10) **Patent No.:** **US D522,075 S**

(45) **Date of Patent:** **** May 30, 2006**

(54) **DUMBBELL**

(76) Inventor: **Michael Cheng**, 9F, No. 69, Lane 399,
Jhongsiao Rd., Linkou Hsiang, Taipei
Hsien (TW)

(**) Term: **14 Years**

(21) Appl. No.: **29/220,632**

(22) Filed: **Jan. 5, 2005**

(51) **LOC (8) Cl.** **21-02**

(52) **U.S. Cl.** **D21/681**

(58) **Field of Classification Search** D21/662,
D21/679, 680, 681, 682, 683, 684; 482/105,
482/106, 107, 108, 109

See application file for complete search history.

(56) **References Cited**

U.S. PATENT DOCUMENTS

D297,751 S * 9/1988 Brown D21/681
5,135,454 A * 8/1992 Yeh 482/108
5,250,014 A * 10/1993 Chang 482/106
5,445,587 A * 8/1995 Brown 482/108

D415,803 S * 10/1999 Cousins D21/681
D489,102 S * 4/2004 Chen D21/681

* cited by examiner

Primary Examiner—Philip S. Hyder

(74) *Attorney, Agent, or Firm*—Rosenberg, Klein & Lee

(57) **CLAIM**

The ornamental design for a dumbbell, as shown and described.

DESCRIPTION

FIG. 1 is a perspective view of a dumbbell showing my new design;

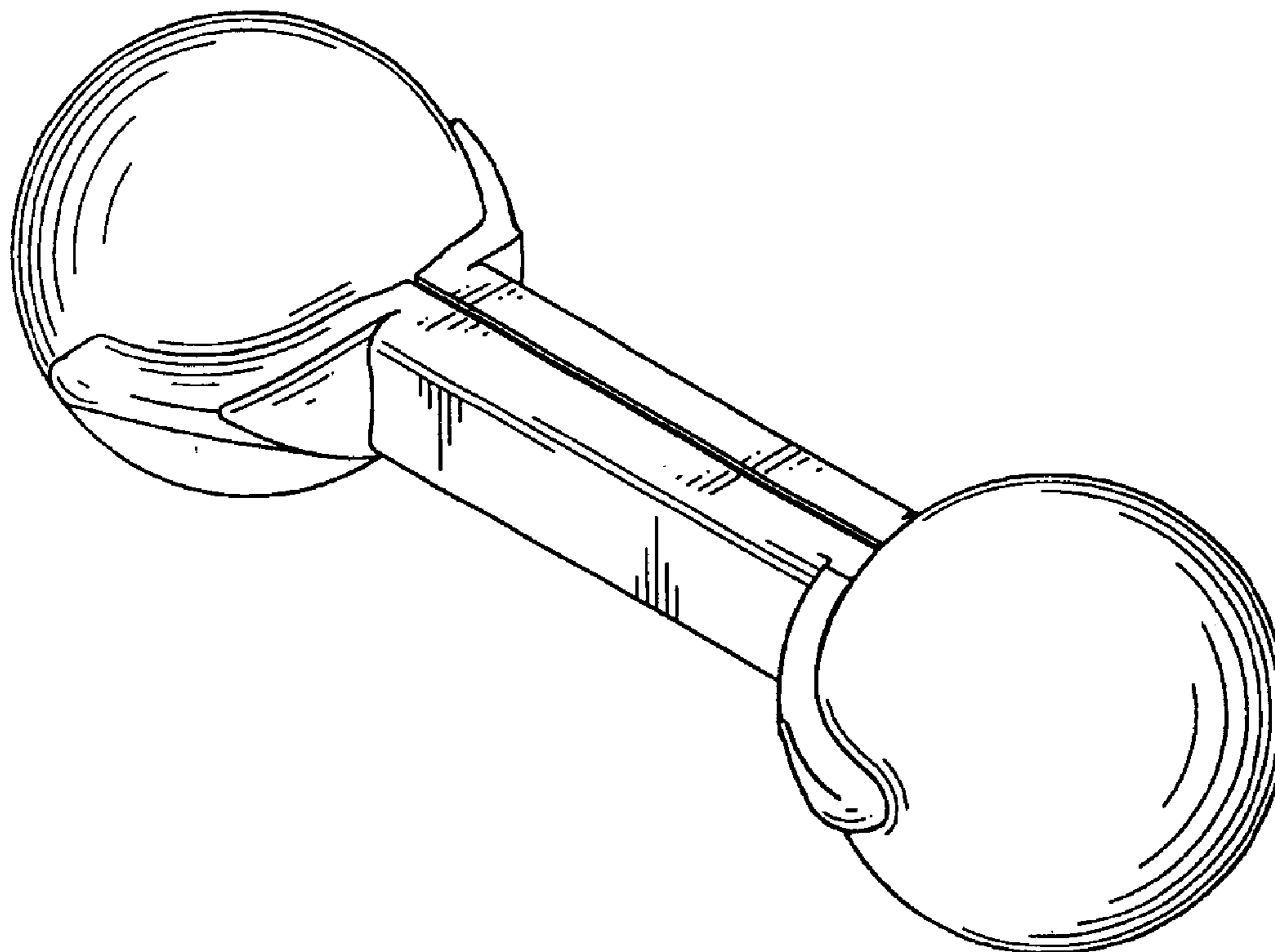
FIG. 2 is a front view thereof, wherein a rear view thereof is a mirror image of FIG. 2;

FIG. 3 is a left view thereof, wherein a right view thereof is a mirror image of FIG. 3;

FIG. 4 is a top view thereof, wherein a bottom view thereof is a mirror image of FIG. 4; and,

FIG. 5 is an enlarged cross sectional view thereof along line 5—5 in FIG. 2.

1 Claim, 4 Drawing Sheets



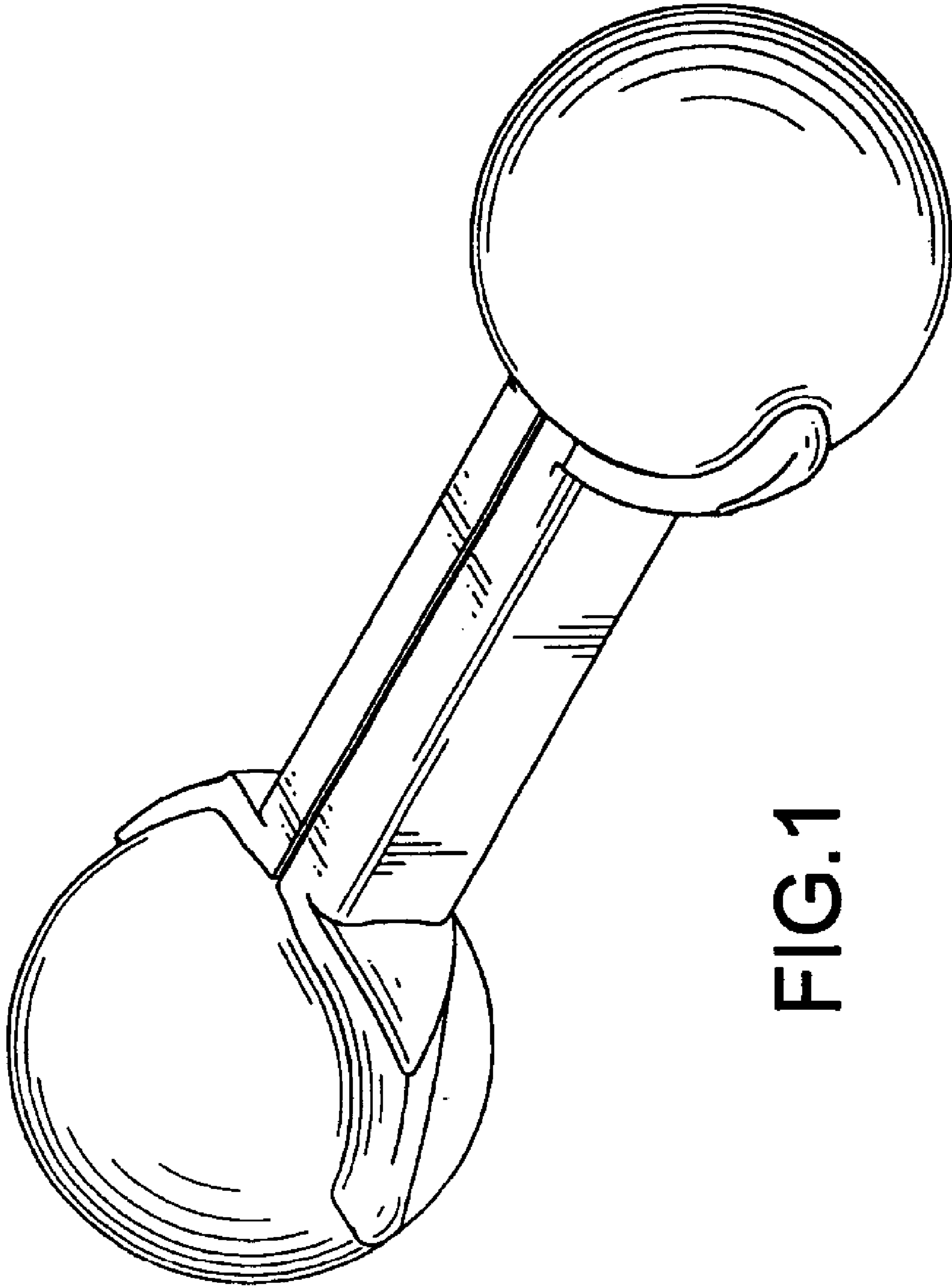


FIG. 1

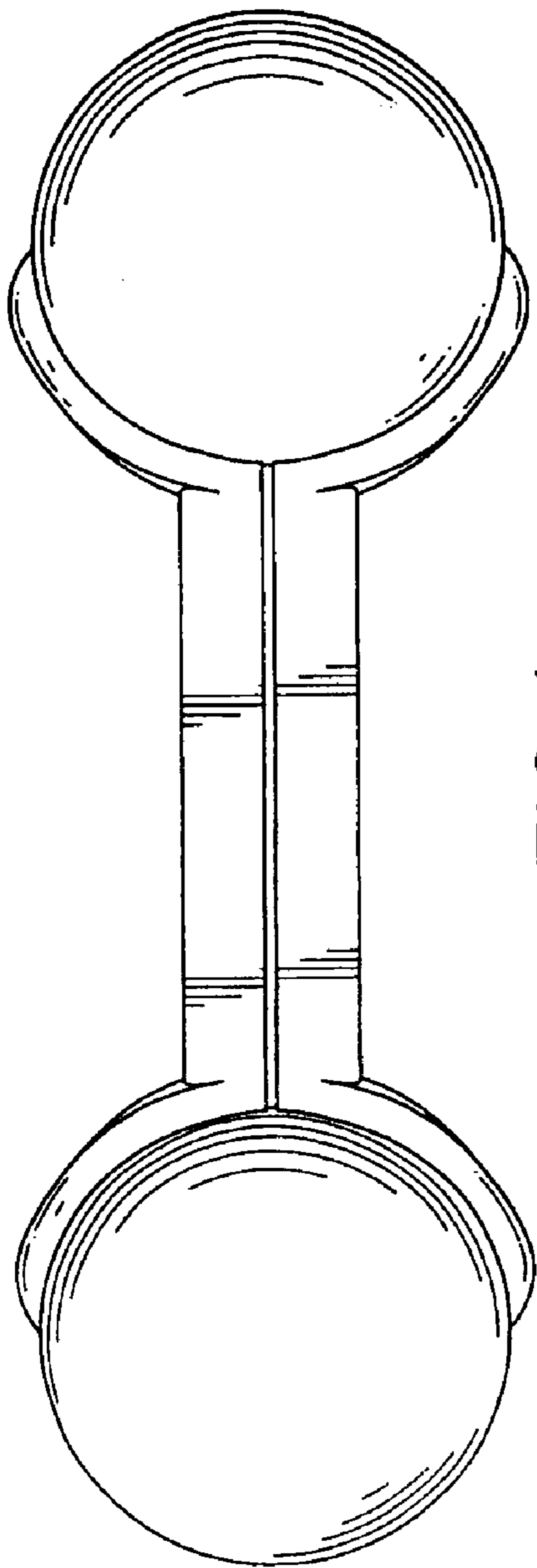


FIG. 4

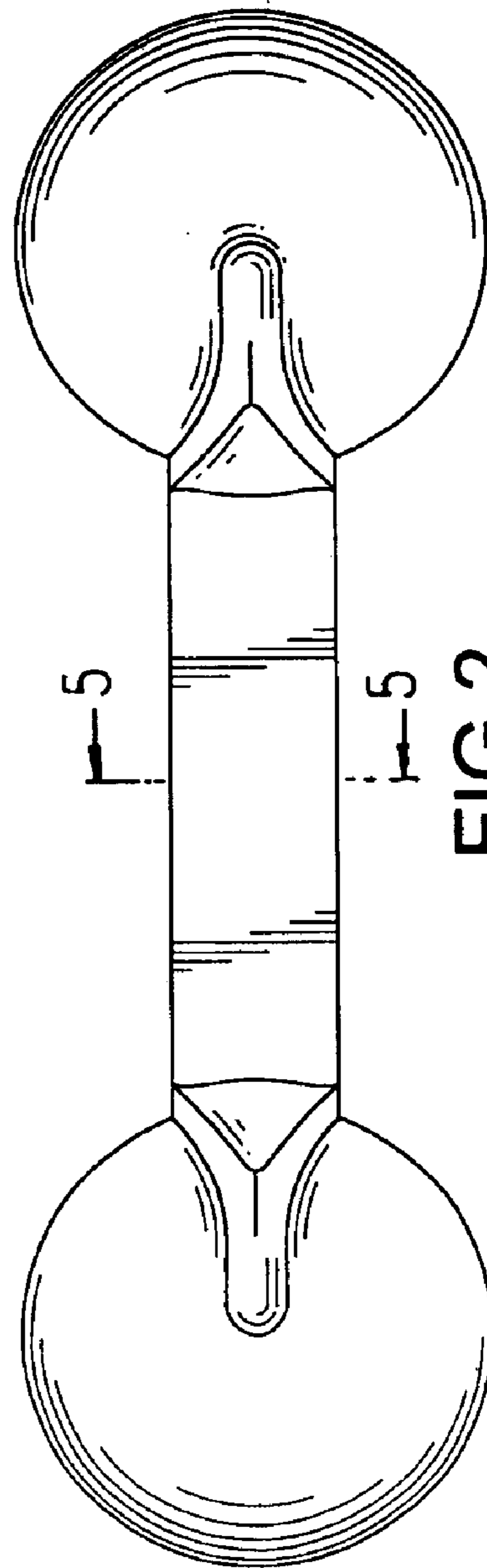


FIG. 2

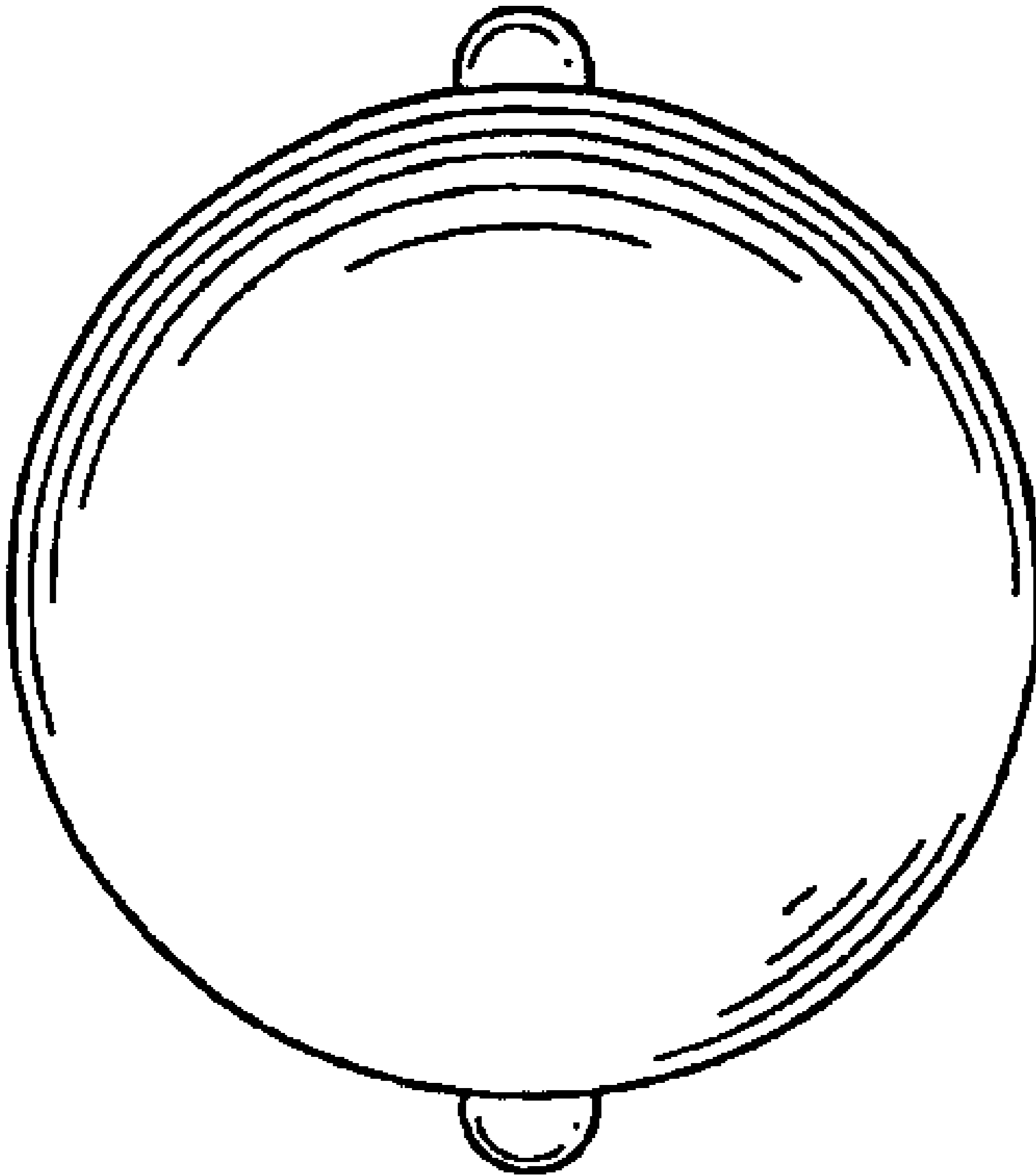


FIG. 3

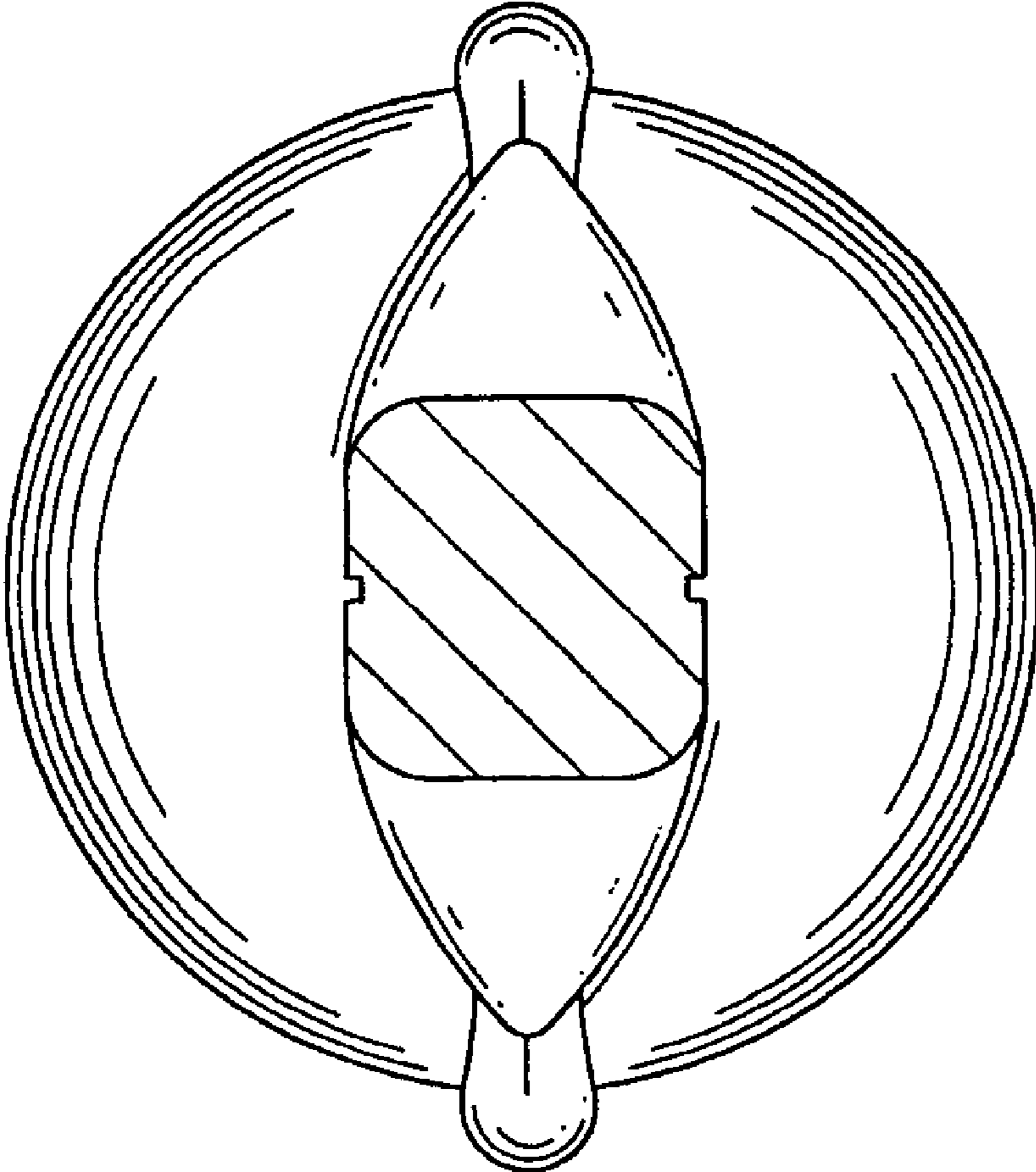


FIG.5