



US00D522070S

(12) **United States Design Patent**  
**Hunter et al.**

(10) **Patent No.:** **US D522,070 S**

(45) **Date of Patent:** **\*\* May 30, 2006**

(54) **RING AIRFOIL LAUNCHING SYSTEM AND COMPONENTS THEREOF**

(75) Inventors: **John W. Hunter**, San Diego, CA (US);  
**Robert M. Fryer**, Solana Beach, CA (US); **Philip J. Sluder**, La Mesa, CA (US); **Robert A. Rauch**, Poway, CA (US); **Steve Sramek**, Long Beach, CA (US)

(73) Assignee: **Razor USA LLC**, Cerritos, CA (US)

(\*\*) Term: **14 Years**

(21) Appl. No.: **29/186,818**

(22) Filed: **Jul. 22, 2003**

(51) **LOC (8) Cl.** ..... **21-01**

(52) **U.S. Cl.** ..... **D21/570**

(58) **Field of Classification Search** ..... D21/567-575;  
D14/428; D23/225-226; D22/103; 446/58,  
446/65, 39, 473, 475, 406, 267, 180, 219,  
446/430, 259; 124/16-17, 20.1, 22, 73-76,  
124/83-85; 42/7, 54, 103, 105; 89/196, 148  
See application file for complete search history.

(56) **References Cited**

**U.S. PATENT DOCUMENTS**

2,995,128	A	8/1961	Hornbostel	
3,430,620	A	3/1969	Davis	
3,919,799	A	* 11/1975	Austin et al.	42/105
3,995,392	A	* 12/1976	Goldfarb et al.	446/58
4,138,799	A	* 2/1979	Cook et al.	446/65
5,243,955	A	* 9/1993	Farless	124/22
D361,105	S	* 8/1995	Griffin	D21/574
5,545,068	A	* 8/1996	Asbaghi	446/39
5,970,970	A	10/1999	Vanek et al.	
6,079,398	A	* 6/2000	Grimm	124/16
6,089,946	A	* 7/2000	Yang	446/259
6,712,056	B1	* 3/2004	Omi	124/20.1

6,742,509 B1 \* 6/2004 Hunter et al. .... 124/17  
2002/0155779 A1 10/2002 Hunter

\* cited by examiner

*Primary Examiner*—Raphael Barkai  
(74) *Attorney, Agent, or Firm*—Knobbe, Martens, Olson & Bear LLP

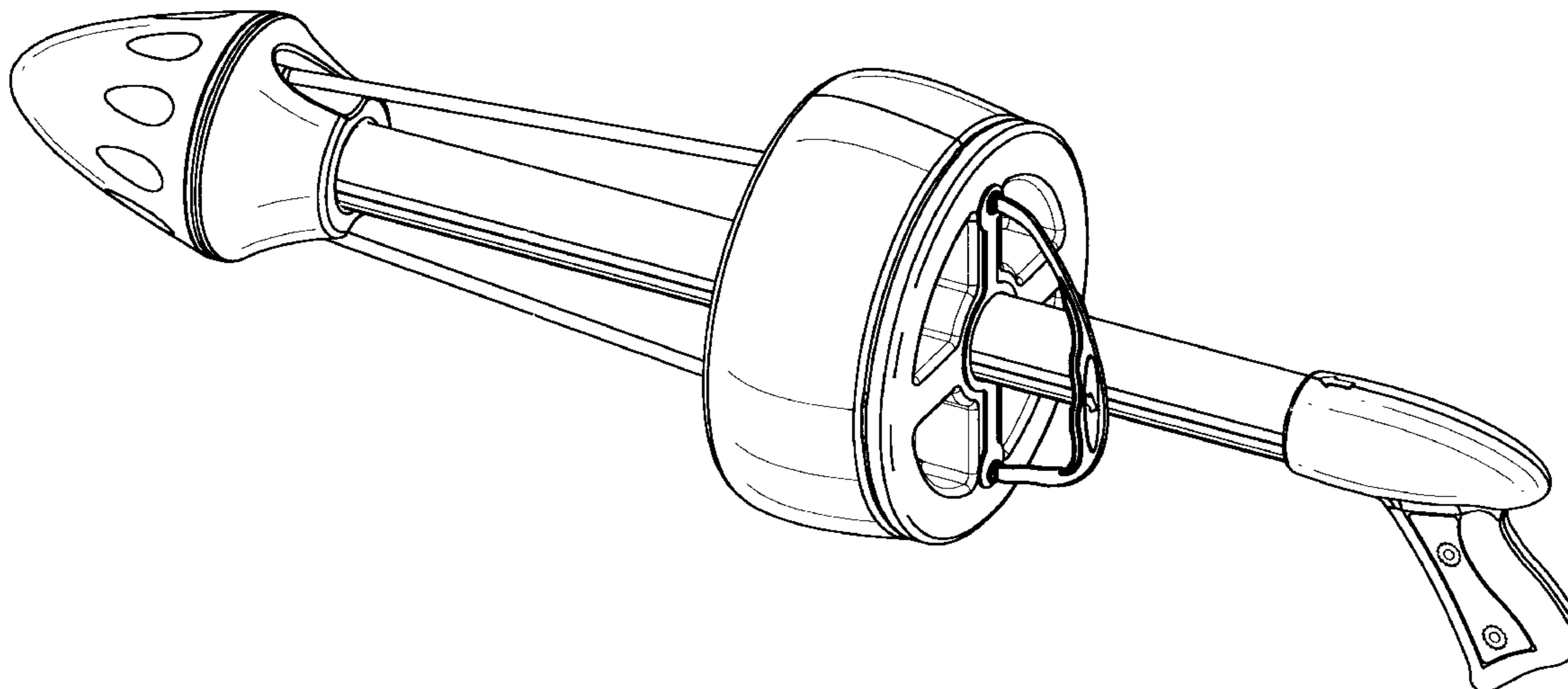
(57) **CLAIM**

The ornamental design for a ring airfoil launching system and components thereof, as shown and described.

**DESCRIPTION**

FIG. 1 is a perspective view of a ring airfoil launching system and components thereof;  
FIG. 2 is a left side elevational view thereof;  
FIG. 3 is a rear elevational view thereof;  
FIG. 4 is a right side elevational view thereof;  
FIG. 5 is a front elevational view thereof;  
FIG. 6 is a top plan view thereof;  
FIG. 7 is a bottom plan view thereof;  
FIG. 8 is a perspective view of a modified embodiment of a ring airfoil launching system and components thereof;  
FIG. 9 is a left side elevational view of the ring airfoil launching system and components thereof of FIG. 8;  
FIG. 10 is a rear elevational view of the ring airfoil launching system and components thereof of FIG. 8;  
FIG. 11 is a right side elevational view of the ring airfoil launching system and components thereof of FIG. 8;  
FIG. 12 is a front elevational view of the ring airfoil launching system and components thereof of FIG. 8;  
FIG. 13 is a top plan view of the ring airfoil launching system and components thereof of FIG. 8; and,  
FIG. 14 is a bottom plan view of the ring airfoil launching system and components thereof of FIG. 8.  
Phantom lining, where utilized, is for illustrative purposes only and forms no part of the claimed design.

**1 Claim, 8 Drawing Sheets**



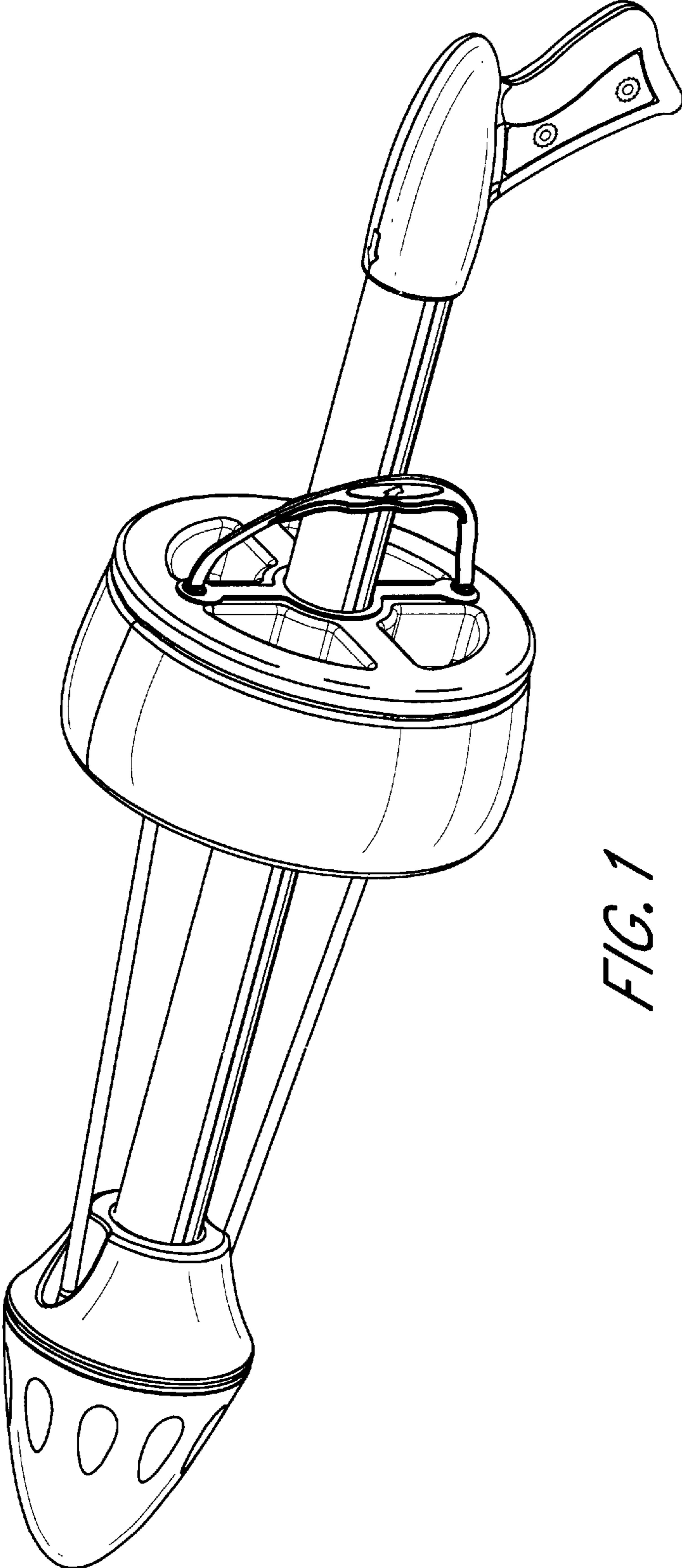


FIG. 1

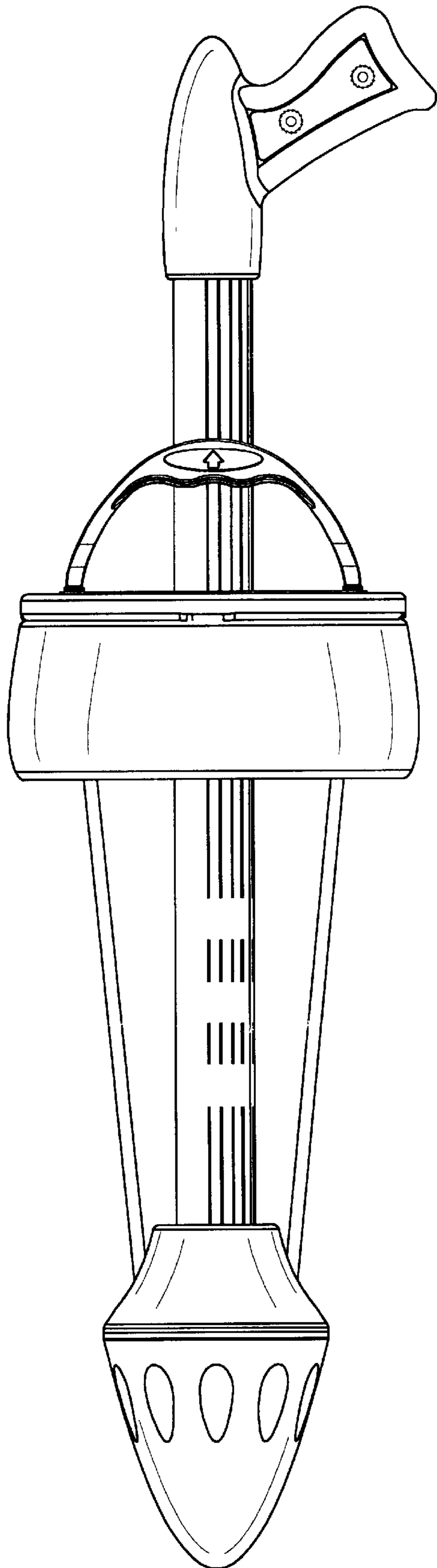


FIG. 2

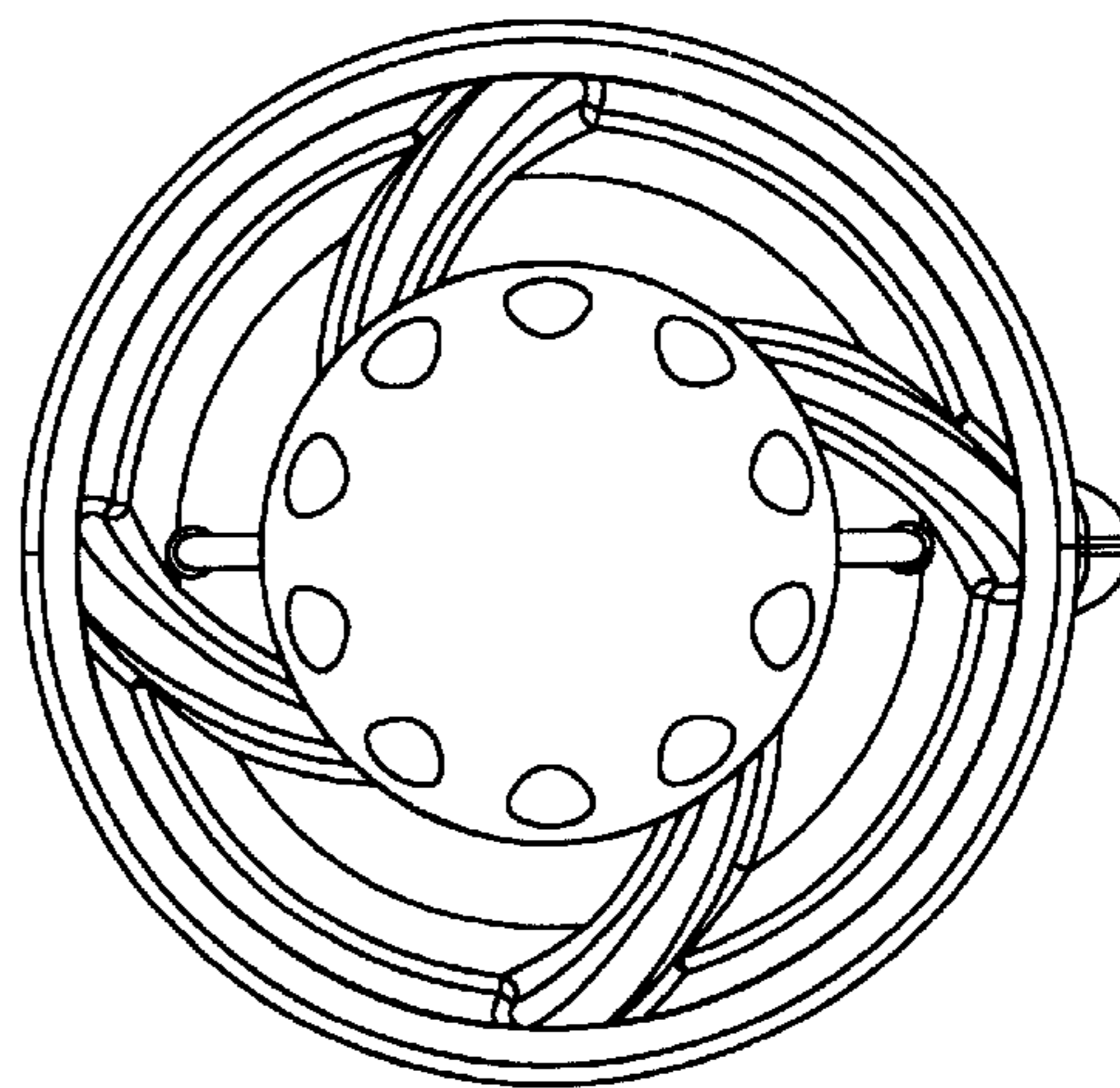


FIG. 3

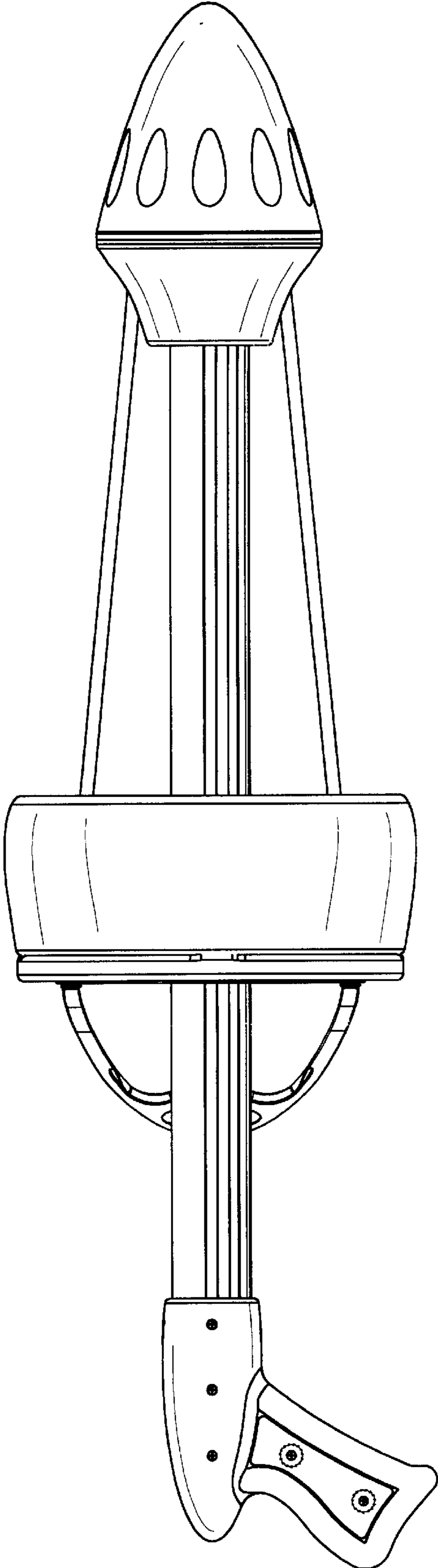


FIG. 4

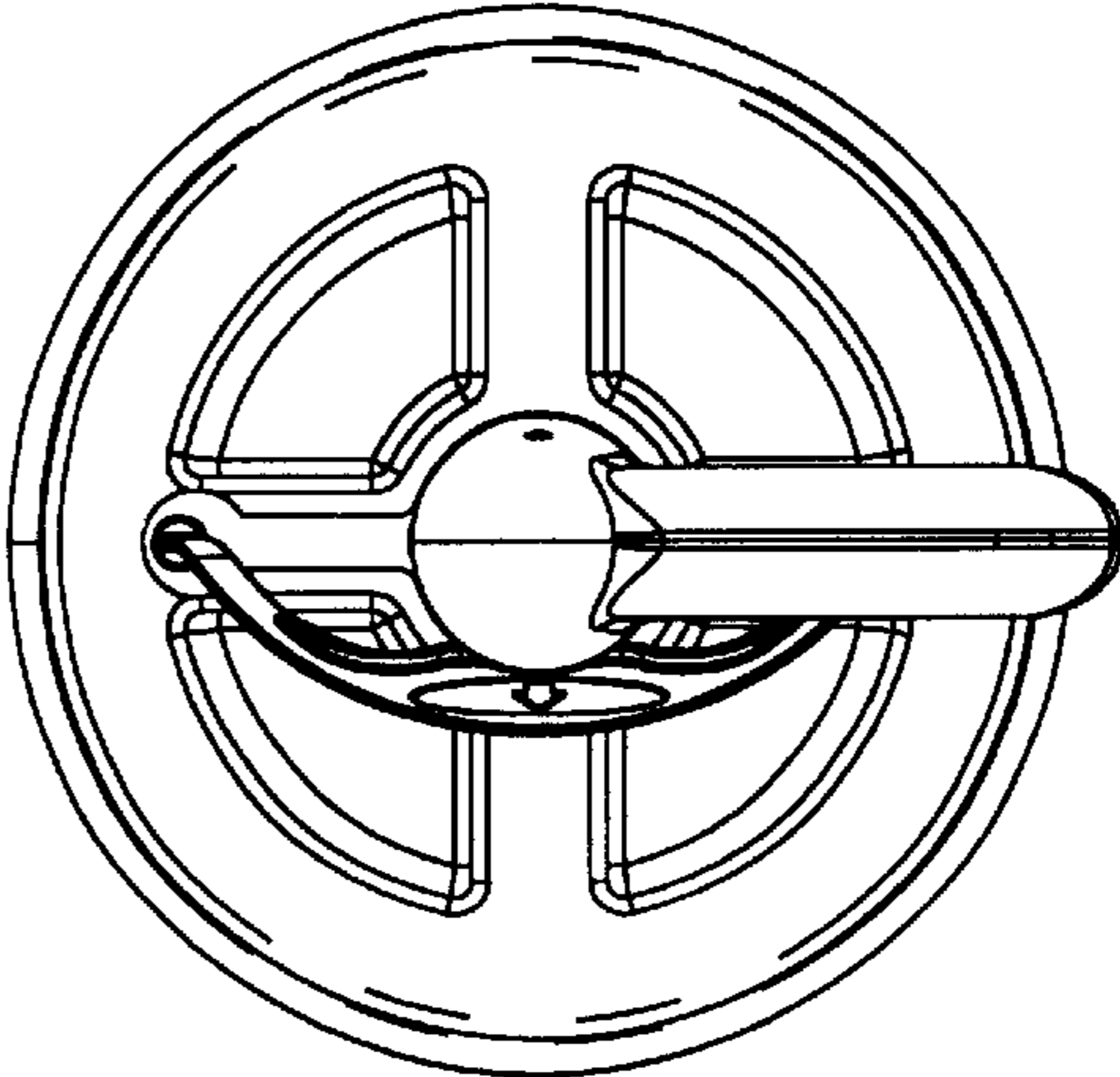


FIG. 5

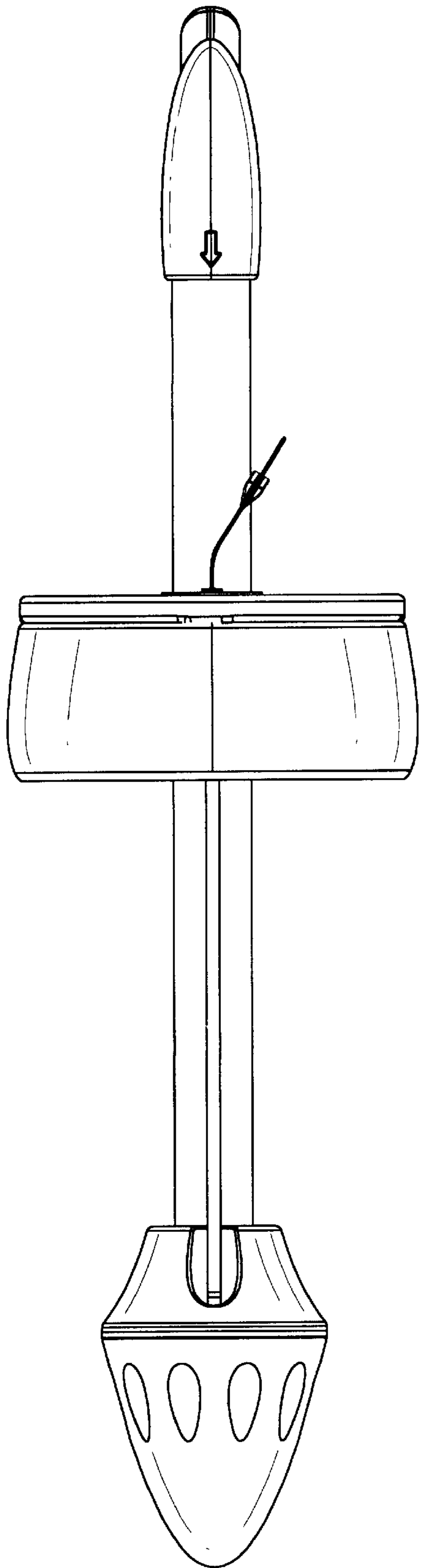


FIG. 6

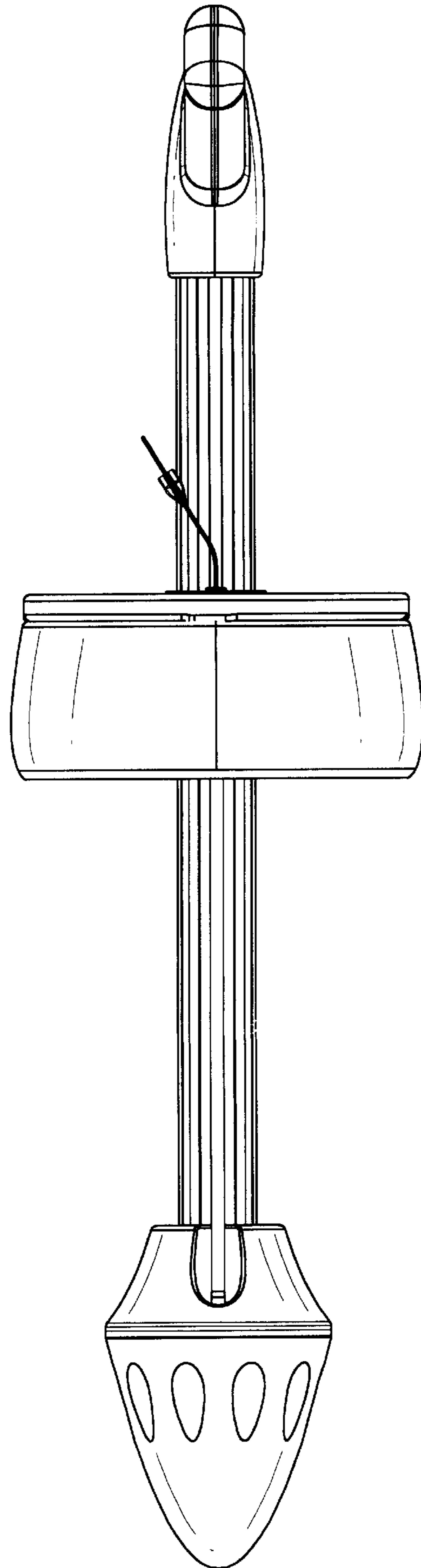


FIG. 7

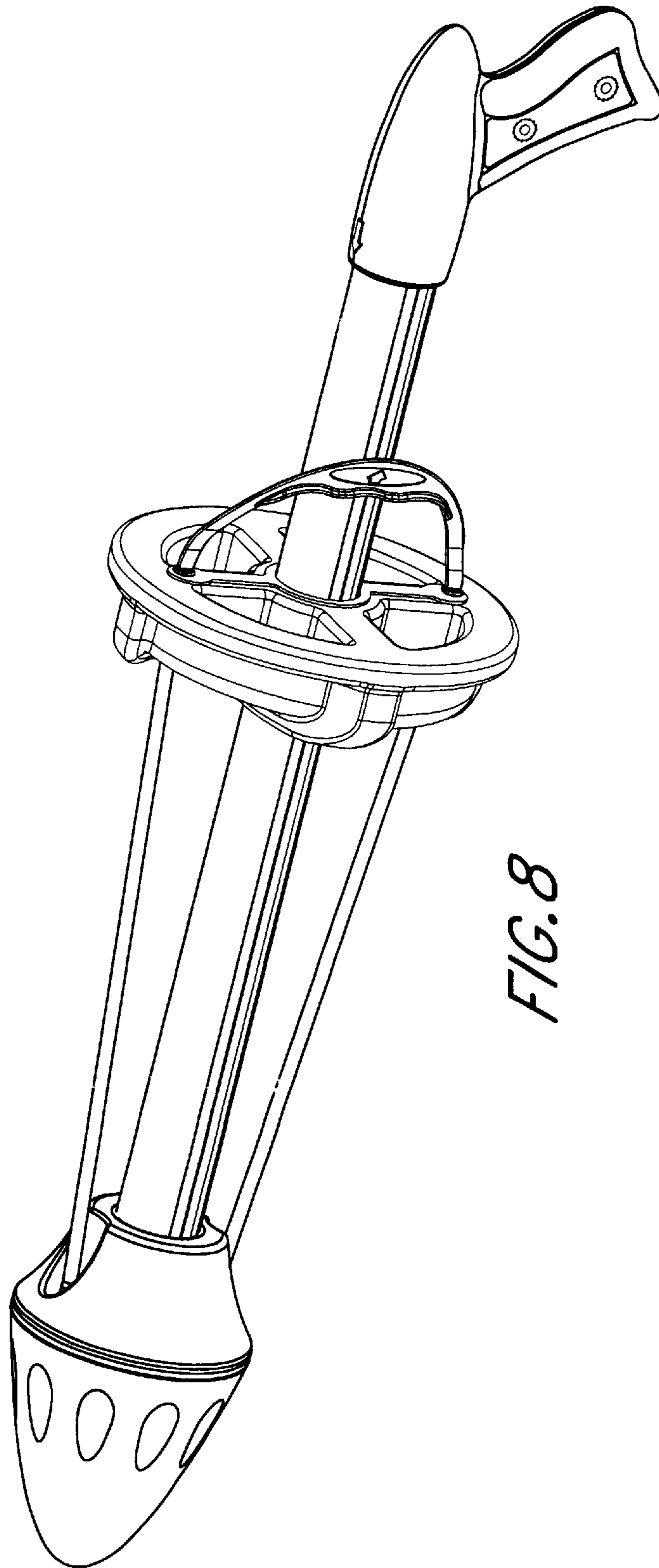


FIG. 8

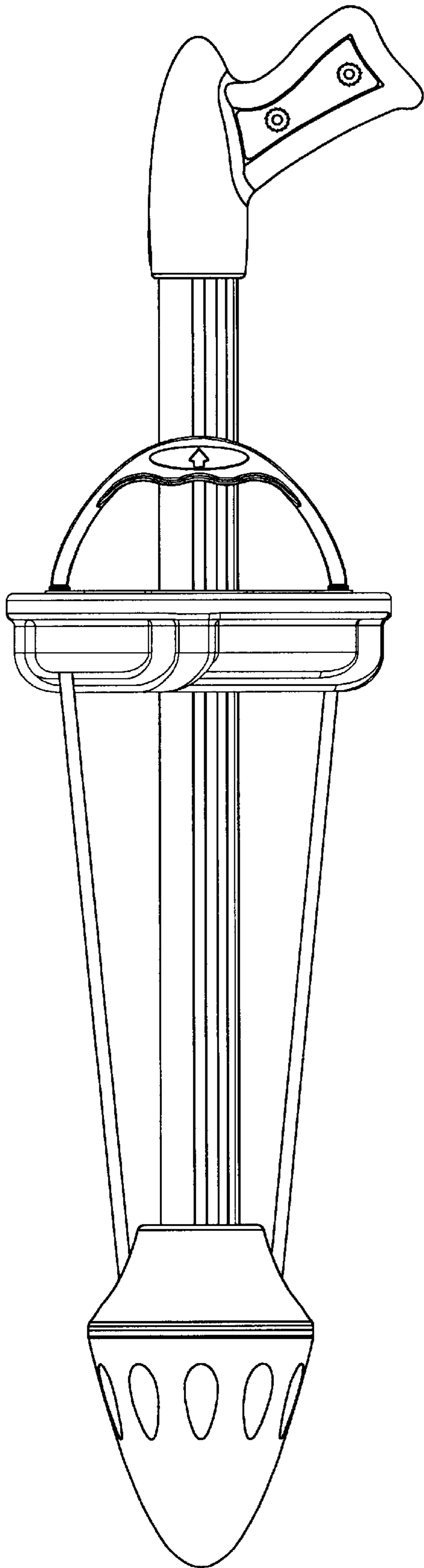


FIG. 9

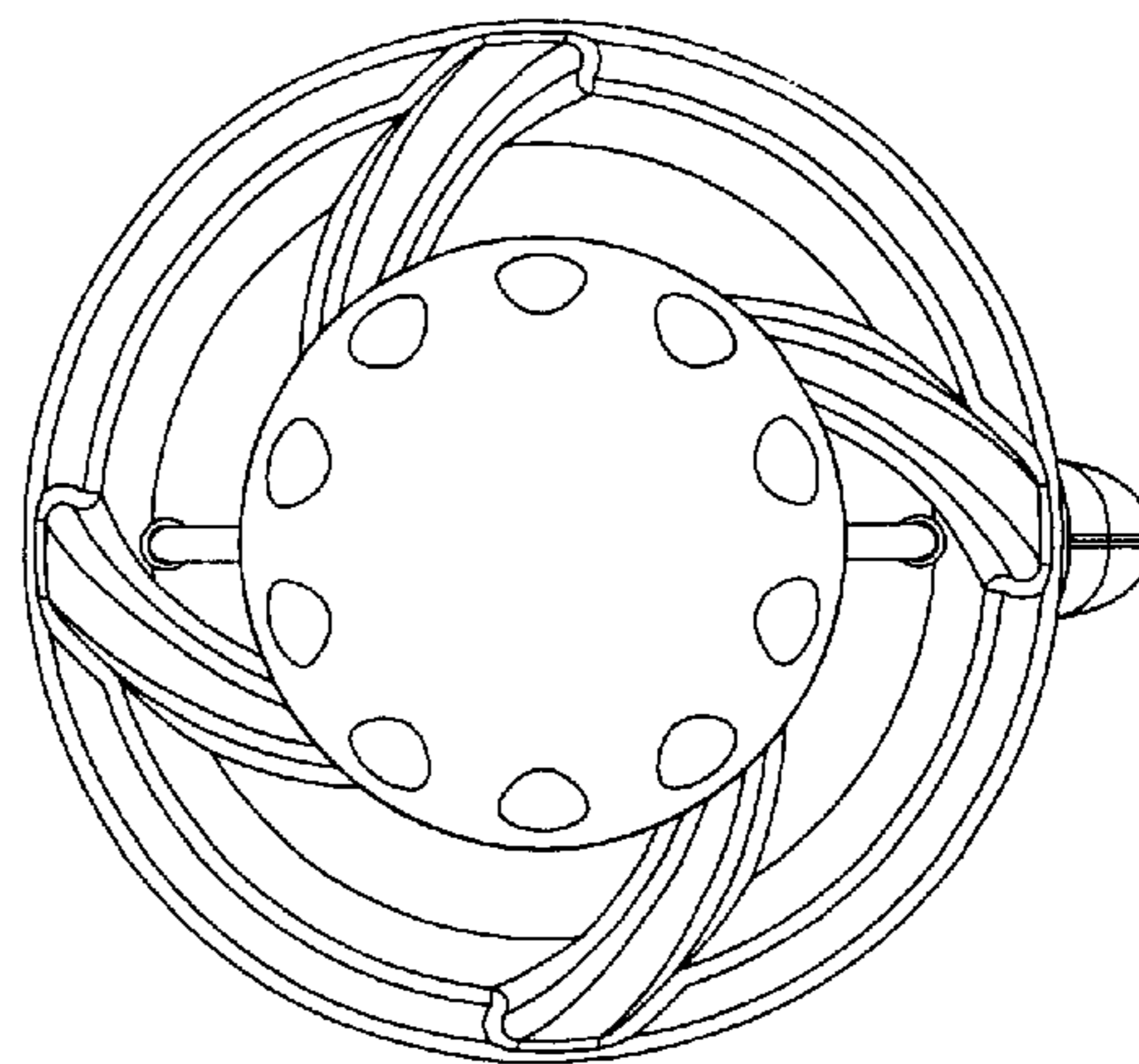


FIG. 10

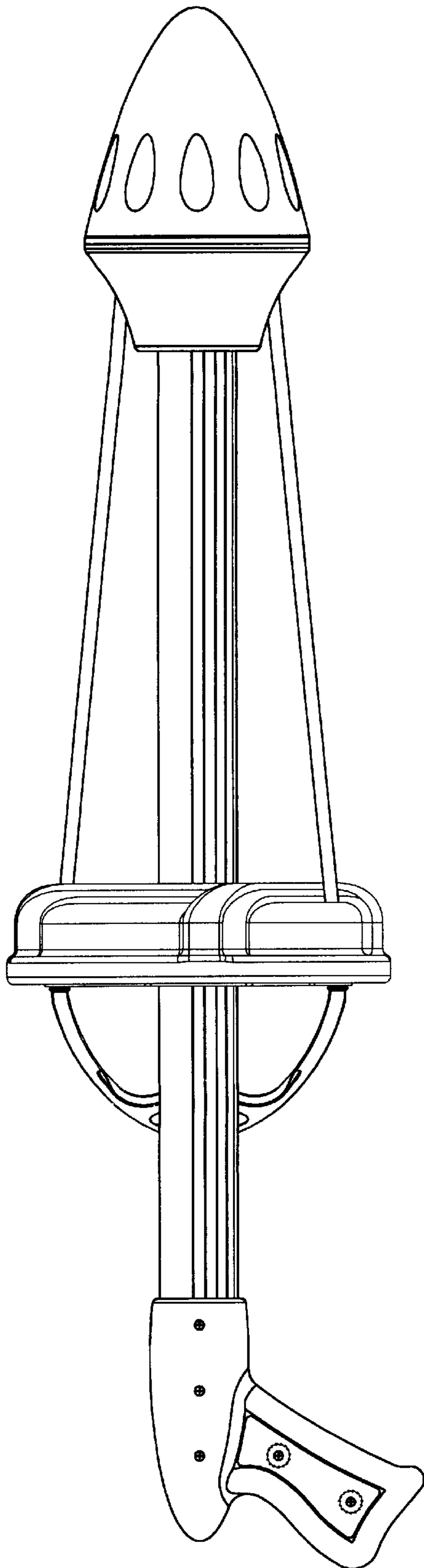


FIG. 11

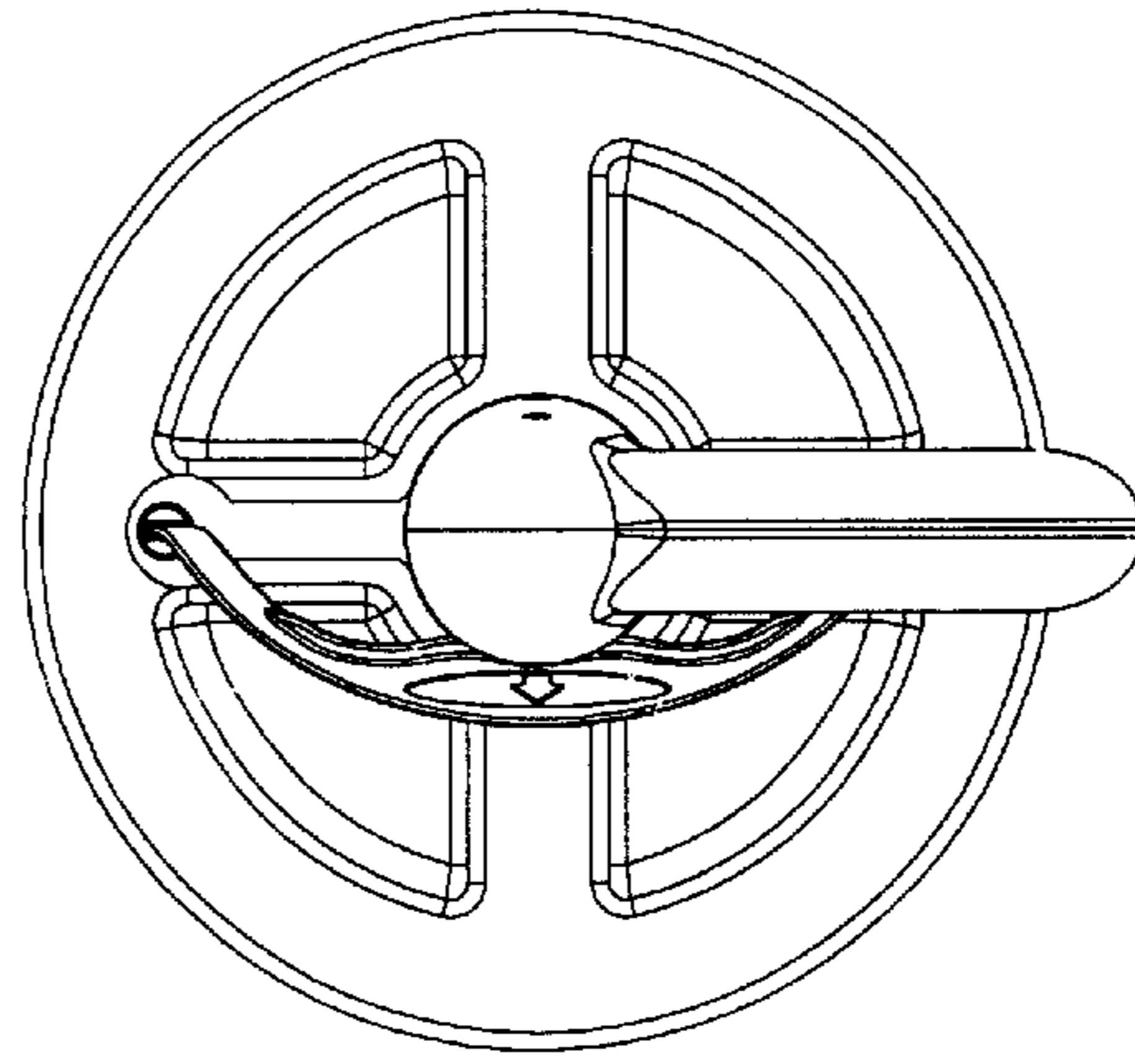


FIG. 12



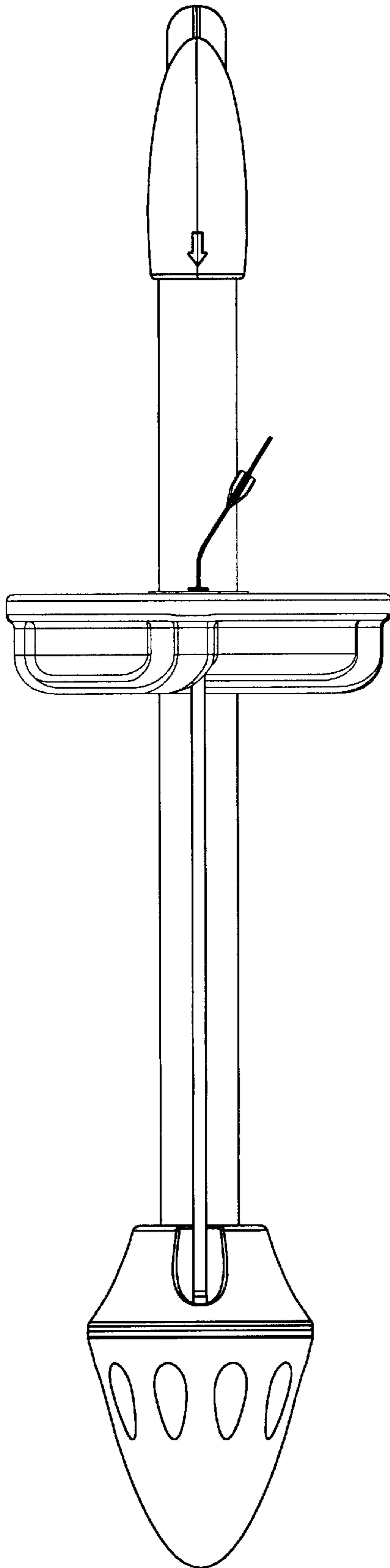


FIG. 13

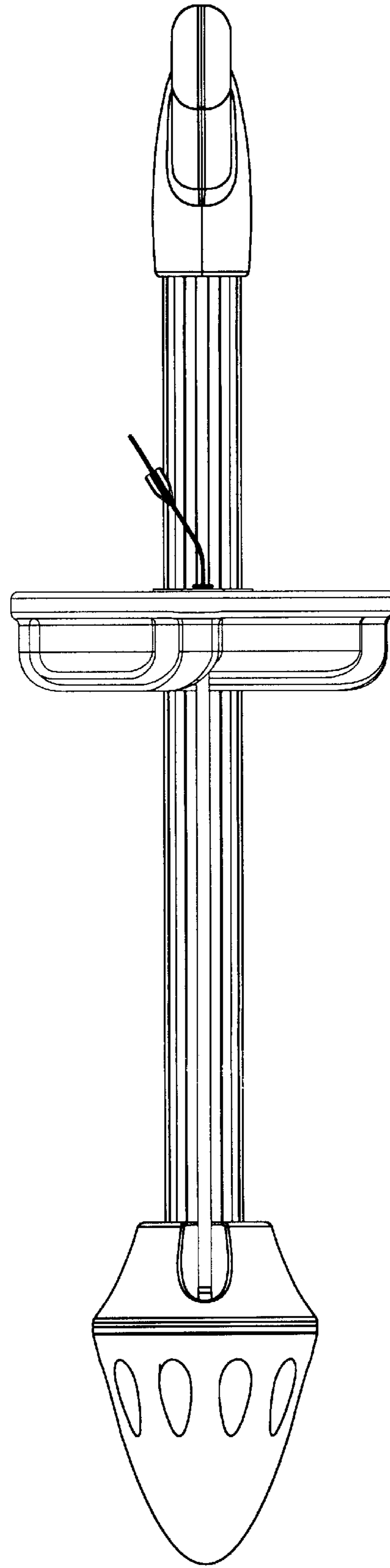


FIG. 14