



US00D522068S

(12) **United States Design Patent**  
**Man-tat**

(10) **Patent No.:** **US D522,068 S**

(45) **Date of Patent:** **\*\* May 30, 2006**

(54) **CARTRIDGE FOR CONSOLE**

(75) **Inventor:** **Lee Man-tat, Shiga (JP)**

(73) **Assignee:** **SDD Company Limited, Shiga (JP)**

(\*\*) **Term:** **14 Years**

(21) **Appl. No.:** **29/208,972**

(22) **Filed:** **Jul. 8, 2004**

(30) **Foreign Application Priority Data**

Jan. 8, 2004 (JP) ..... 2004-000261  
Jan. 8, 2004 (JP) ..... 2004-000244

(51) **LOC (8) Cl.** ..... **21-01**

(52) **U.S. Cl.** ..... **D21/332; D14/435**

(58) **Field of Classification Search** ..... D21/332,  
D21/333, 324; D14/474-482, 435; 463/43-46;  
242/348-348.2; 360/132-136; 369/275.1-275.5,  
369/280-292; 206/307, 308.1, 308.2, 308.3  
See application file for complete search history.

(56) **References Cited**

**U.S. PATENT DOCUMENTS**

5,362,068 A \* 11/1994 Liu ..... 463/44  
D365,556 S \* 12/1995 Inoue et al. .... D14/435  
D366,285 S \* 1/1996 Tada ..... D21/332  
5,653,638 A \* 8/1997 Nagata ..... 463/44  
5,809,520 A \* 9/1998 Edwards et al. .... 711/115  
D407,084 S \* 3/1999 Waaler et al. .... D14/475  
D412,187 S 7/1999 Kitamori  
D428,013 S \* 7/2000 Fairchild et al. .... D14/435

6,383,079 B1 \* 5/2002 Takeda et al. .... 463/43  
D458,643 S 6/2002 Ashida  
6,497,618 B1 \* 12/2002 Nishiumi et al. .... 463/36  
D470,498 S \* 2/2003 Argumedo et al. .... D14/435  
6,595,860 B1 \* 7/2003 Yamamoto et al. .... 463/43  
D491,564 S \* 6/2004 Chaney et al. .... D14/435  
6,743,104 B1 \* 6/2004 Ota et al. .... 463/44

\* cited by examiner

*Primary Examiner*—Prabhakar Deshmukh

(74) *Attorney, Agent, or Firm*—Harness, Dickey & Pierce, PLC

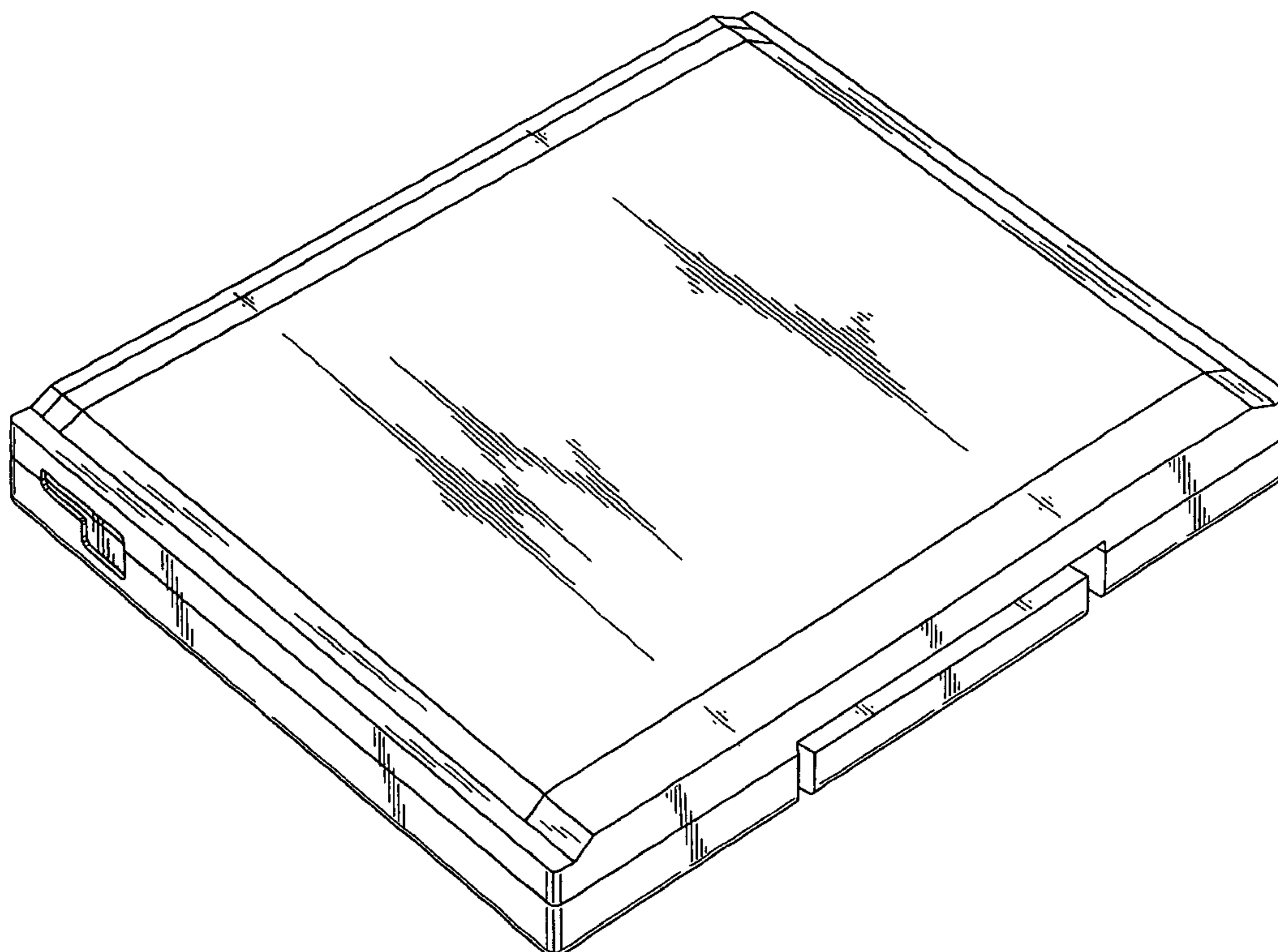
(57) **CLAIM**

The ornamental design for a cartridge for console, as shown and described.

**DESCRIPTION**

FIG. 1 is a perspective view of the front, top and left side of a cartridge for console showing my new design;  
FIG. 2 is a perspective view of the rear, top and right side thereof;  
FIG. 3 is a front view thereof;  
FIG. 4 is a rear view thereof;  
FIG. 5 is a left side view thereof;  
FIG. 6 is a right side view thereof;  
FIG. 7 is a top plan view thereof;  
FIG. 8 is a bottom view thereof; and,  
FIG. 9 is a perspective view thereof, showing the cartridge in its environmental use.  
The broken lines are for illustrative purpose only and form no part of the claimed design.

**1 Claim, 7 Drawing Sheets**



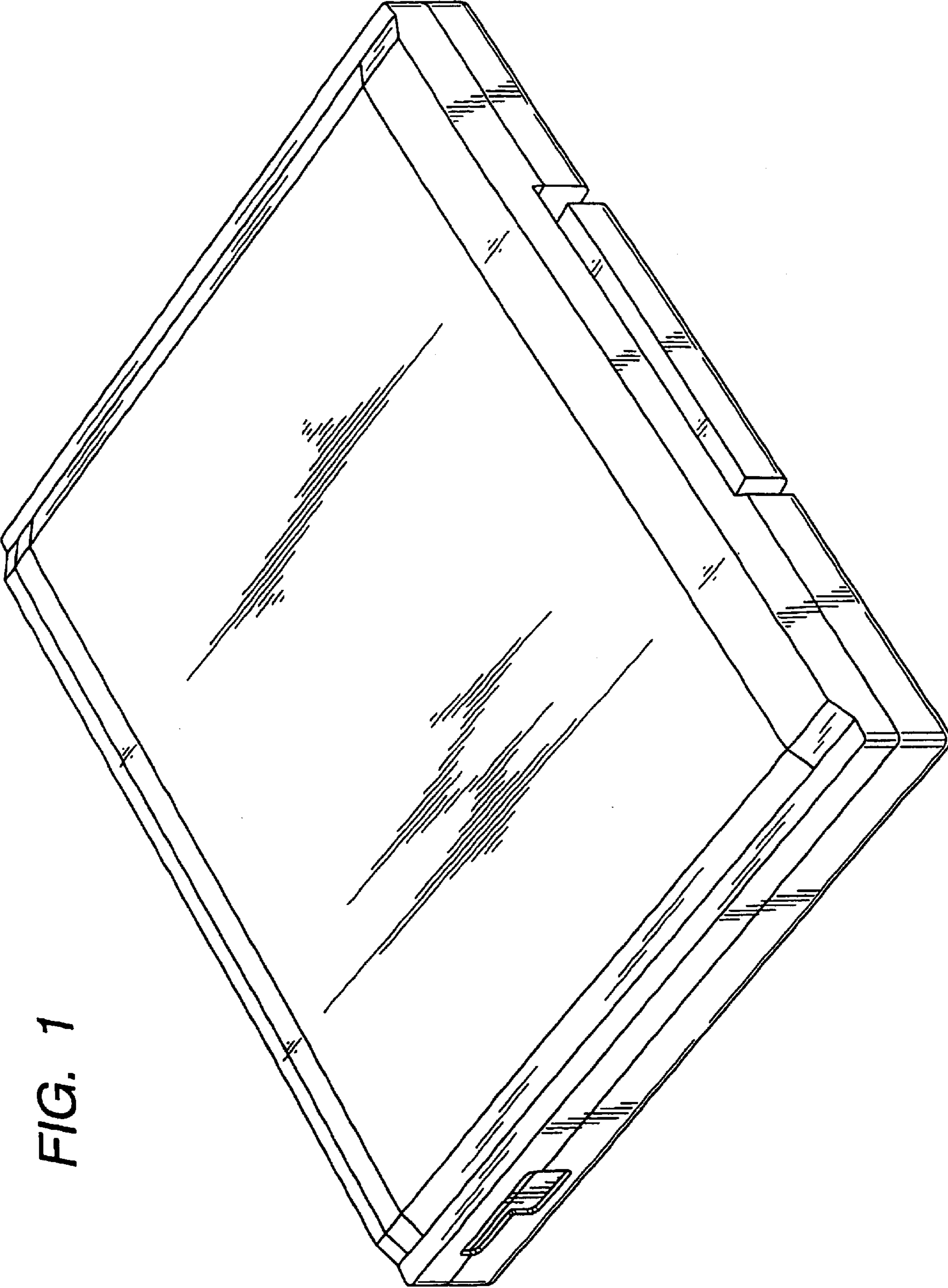


FIG. 1

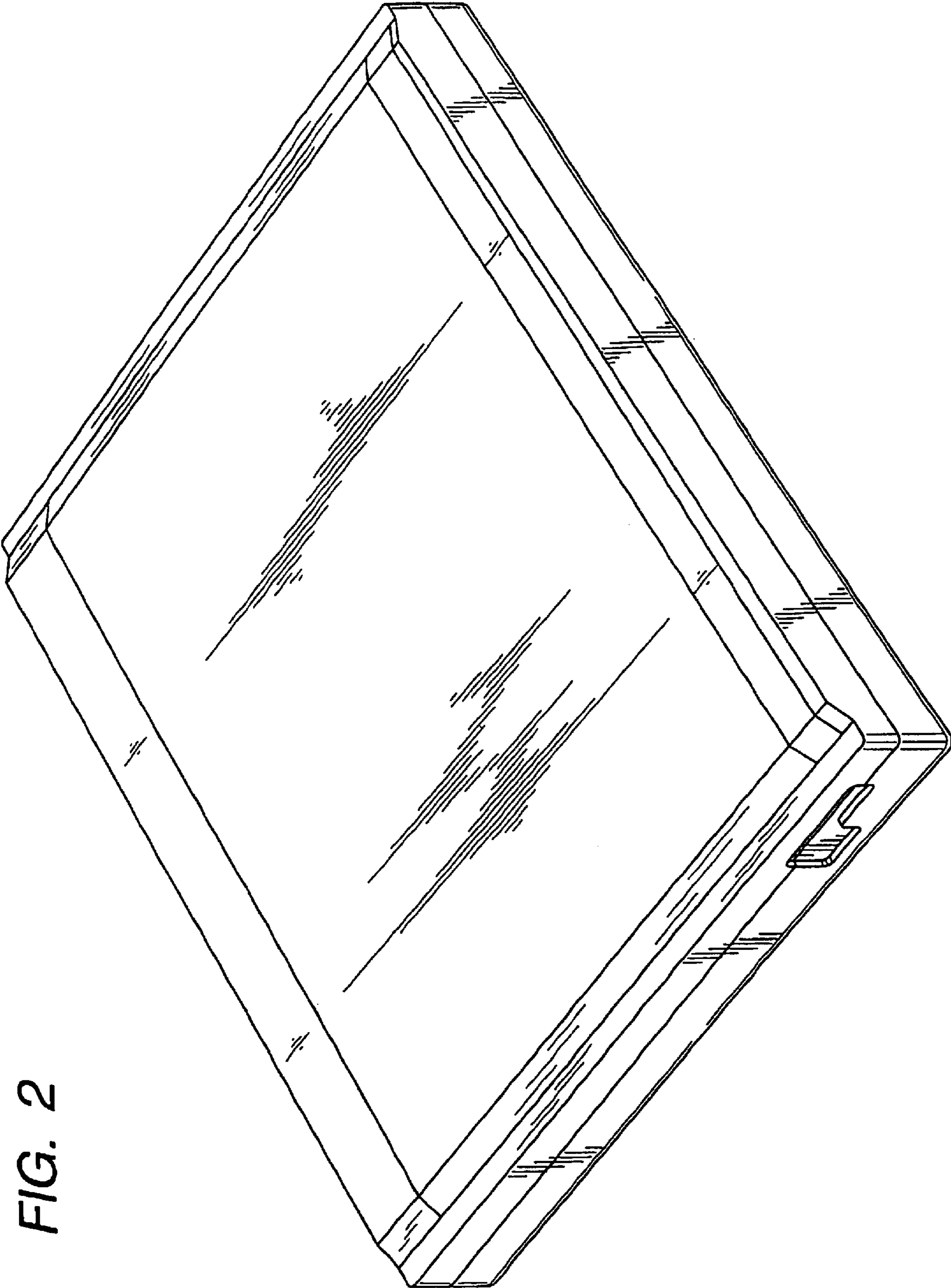
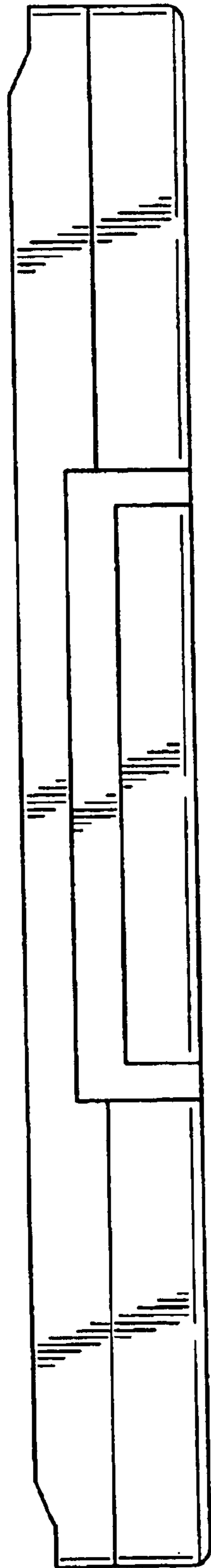
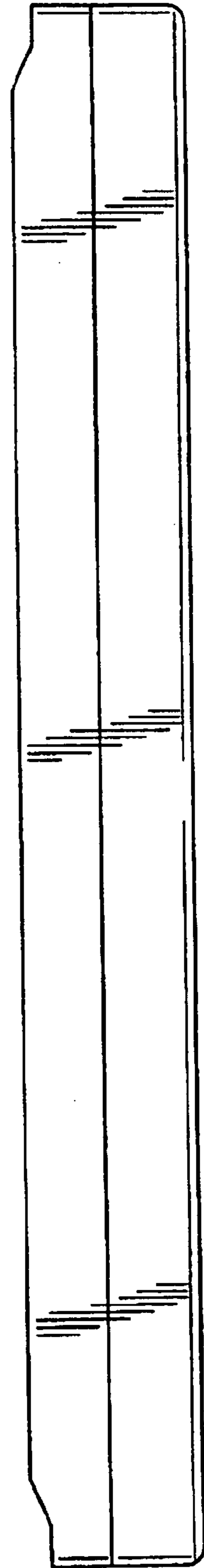


FIG. 2

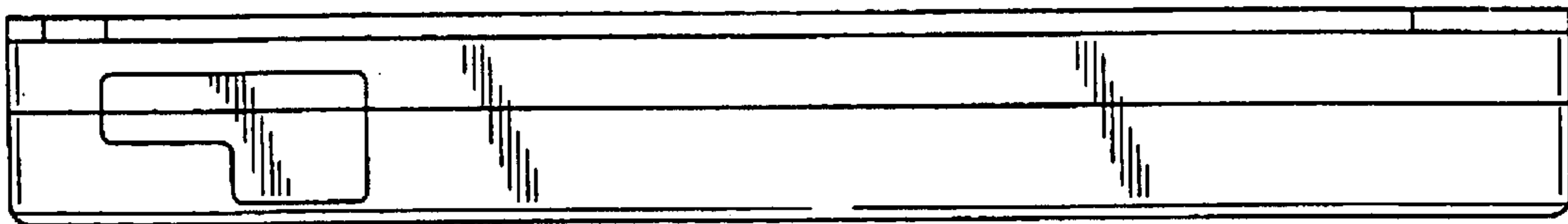
**FIG. 3**



**FIG. 4**



*FIG. 5*



*FIG. 6*

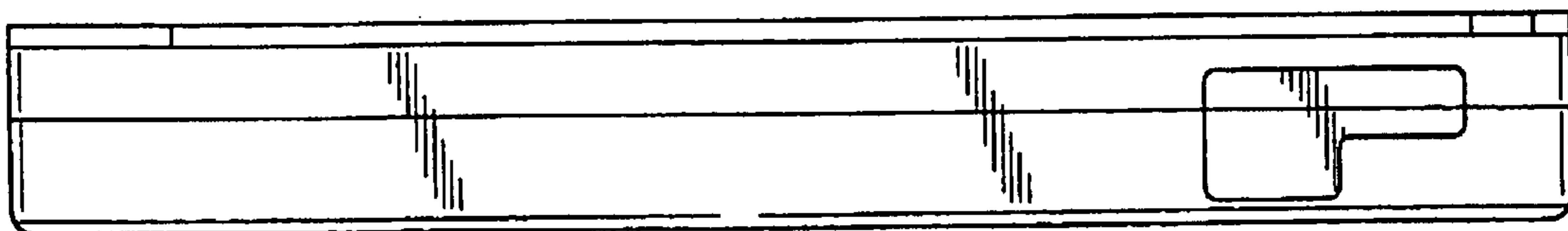


FIG. 7

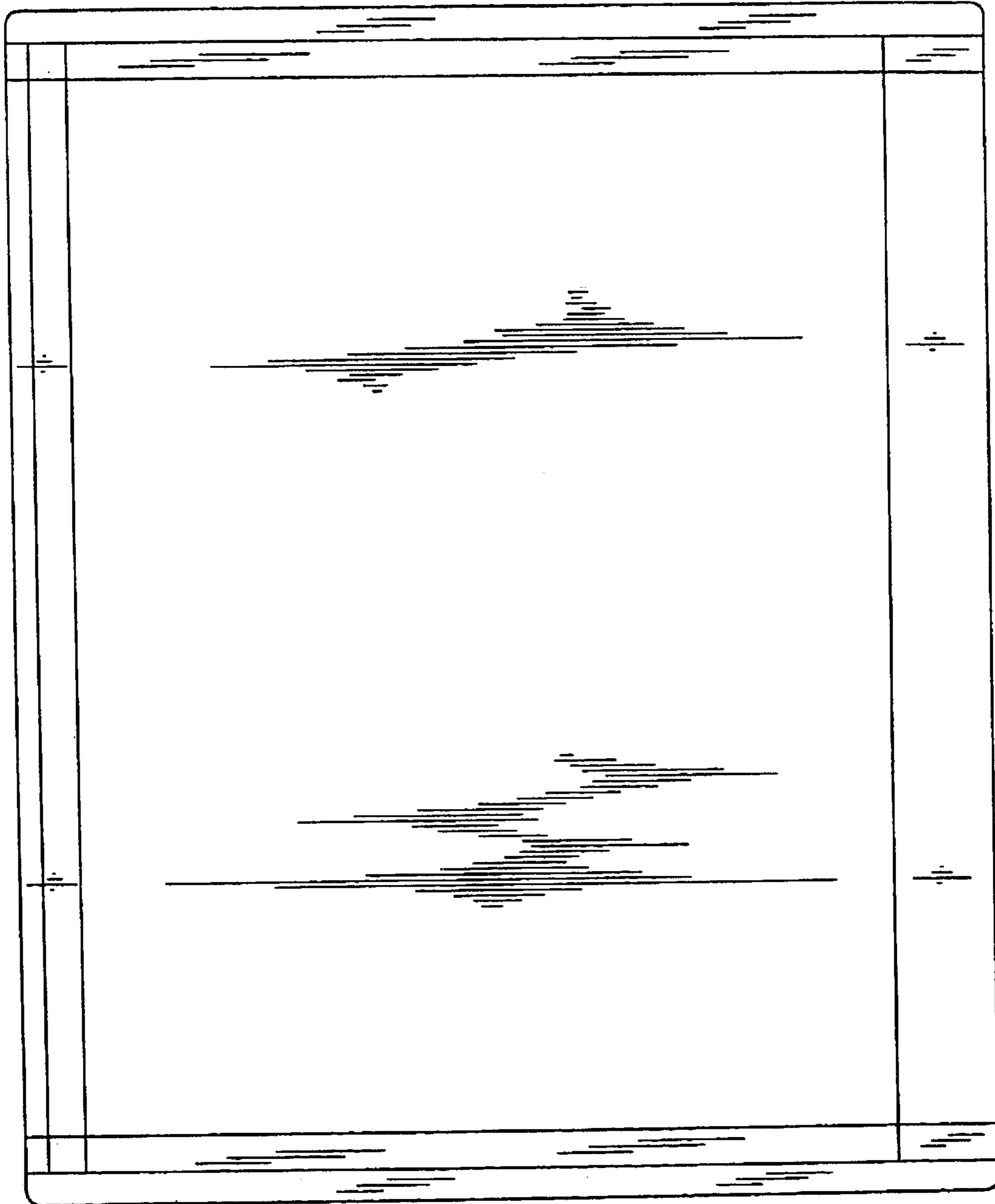
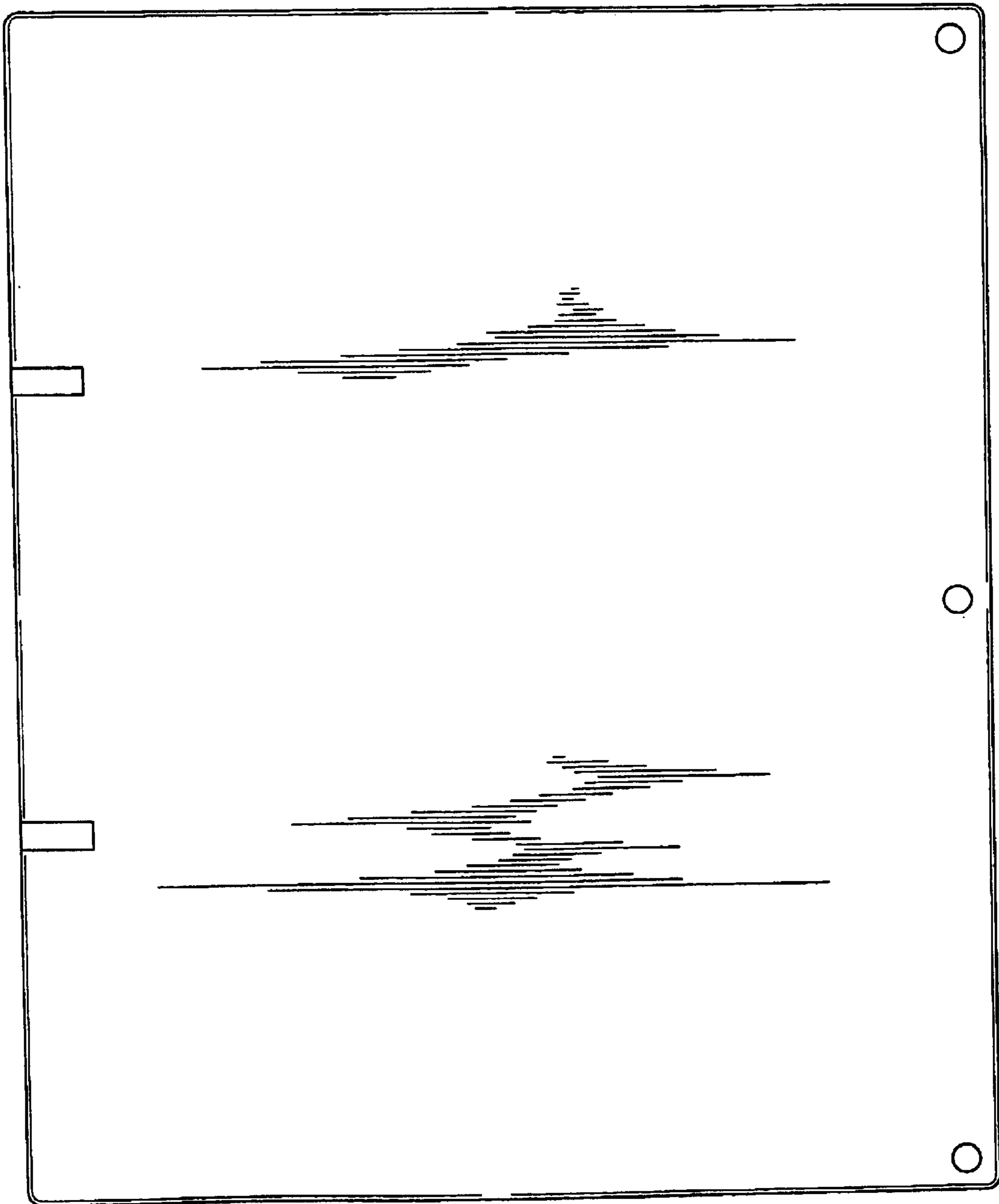


FIG. 8



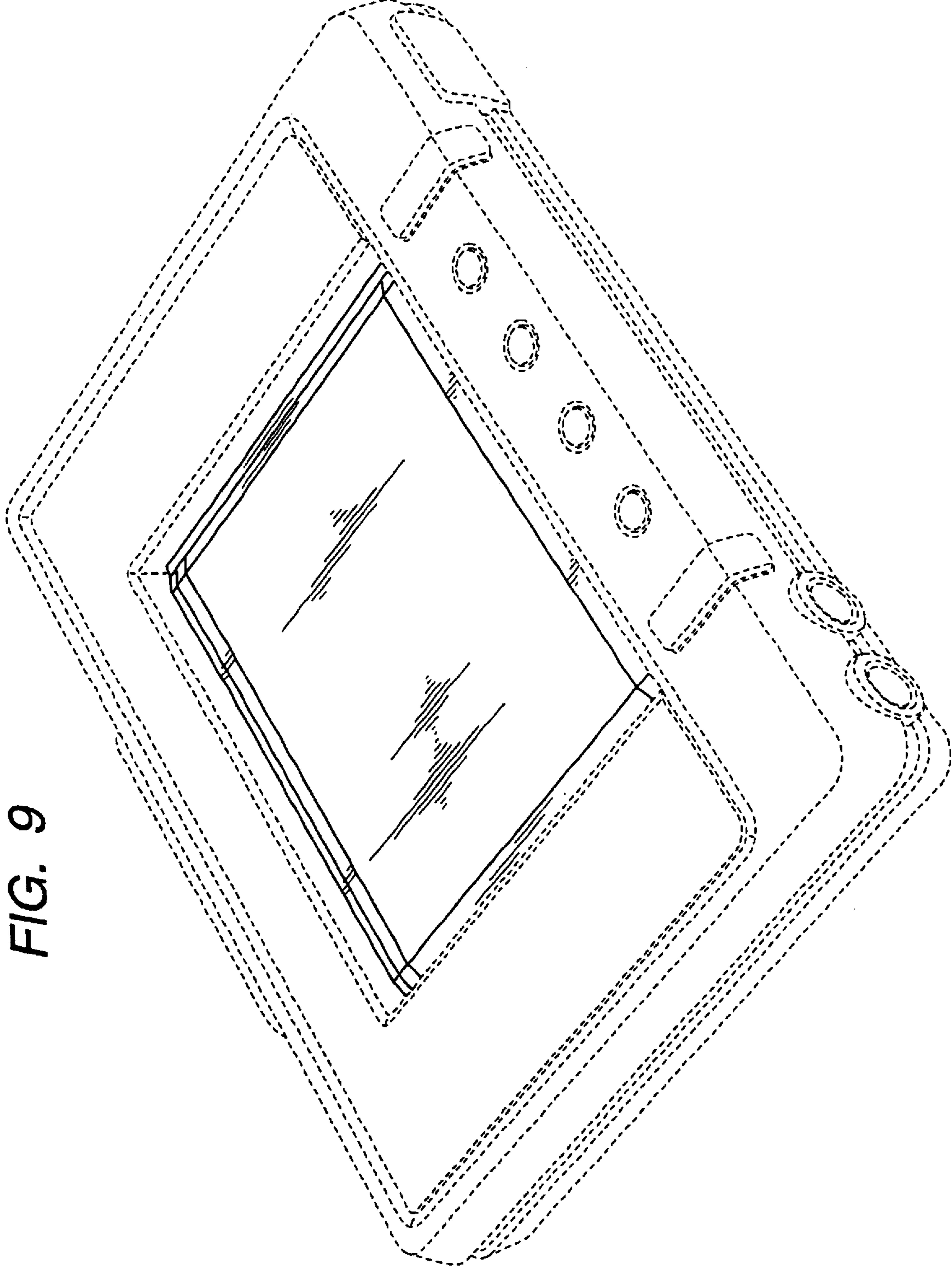


FIG. 9