



US00D522064S

(12) **United States Design Patent**
Trigg et al.

(10) **Patent No.: US D522,064 S**

(45) **Date of Patent: ** May 30, 2006**

(54) **ADHESIVE PRINTABLE SKIN FOR A PORTABLE ELECTRONIC DEVICE**

D440,258 S * 4/2001 Schelling et al. D20/22
D449,992 S * 11/2001 Blackburn D9/457
D466,915 S * 12/2002 Schelling et al. D16/219

(75) Inventors: **Larry E. Trigg**, Santa Clara, CA (US);
Sam Lucente, San Francisco, CA (US);
Allison Johnson, Menlo Park, CA (US);
Paul E Bradley, Redwood City, CA (US);
Arvind Kumar Gupta, Van Nuys, CA (US);
Kara Whitney Johnson, San Francisco, CA (US);
Matthias Wieser, San Francisco, CA (US);
Matthew Robert Adams, Mountain View, CA (US)

OTHER PUBLICATIONS

PowerDesign USA Website (www.powerdesignusa.com/products/ipod/real.php), pp. 1–3, Copyright 2001–2004.

PowerDesign USA Website (www.powerdesignusa.com/products/ipod/selfdesign.php), pp. 1–2, Copyright 2001–2004.

PowerDesign USA Website (www.powerdesignusa.com/products/ipod/bodymask.php), pp. 1–2, Copyright 2001–2004.

(73) Assignee: **Hewlett-Packard Development Company, L.P.**, Houston, TX (US)

* cited by examiner

Primary Examiner—Robert M. Spear

(**) Term: **14 Years**

(57) **CLAIM**

(21) Appl. No.: **29/211,785**

What is claimed is the ornamental design for an adhesive printable skin for a portable electronic device, as shown and described herein.

(22) Filed: **Aug. 20, 2004**

(51) **LOC (8) Cl.** **19-08**

(52) **U.S. Cl.** **D20/27**

(58) **Field of Classification Search** D20/10,
D20/11, 22, 25, 26, 27, 28, 29, 32, 33, 42,
D20/99; D14/217; 40/299.01, 306, 336, 591,
40/643, 910, 911, 912

See application file for complete search history.

DESCRIPTION

FIG. 1 is an elevated, perspective view of the adhesive printable skin for a portable electronic device, which includes a pre-cut or scored printable layer, an adhesive layer, and a pre-cut or scored backing layer in accordance with the present invention;

FIG. 2 is a top plan view of the embodiment shown in FIG. 1, further depicting the pre-cut or scored printable layer;

FIG. 3 is a bottom plan view of the embodiment shown in FIG. 1, further depicting the pre-cut or scored backing layer;

FIG. 4 is a lower edge view of the embodiment shown in FIG. 1, an opposing upper edge view being the mirror image thereof; and,

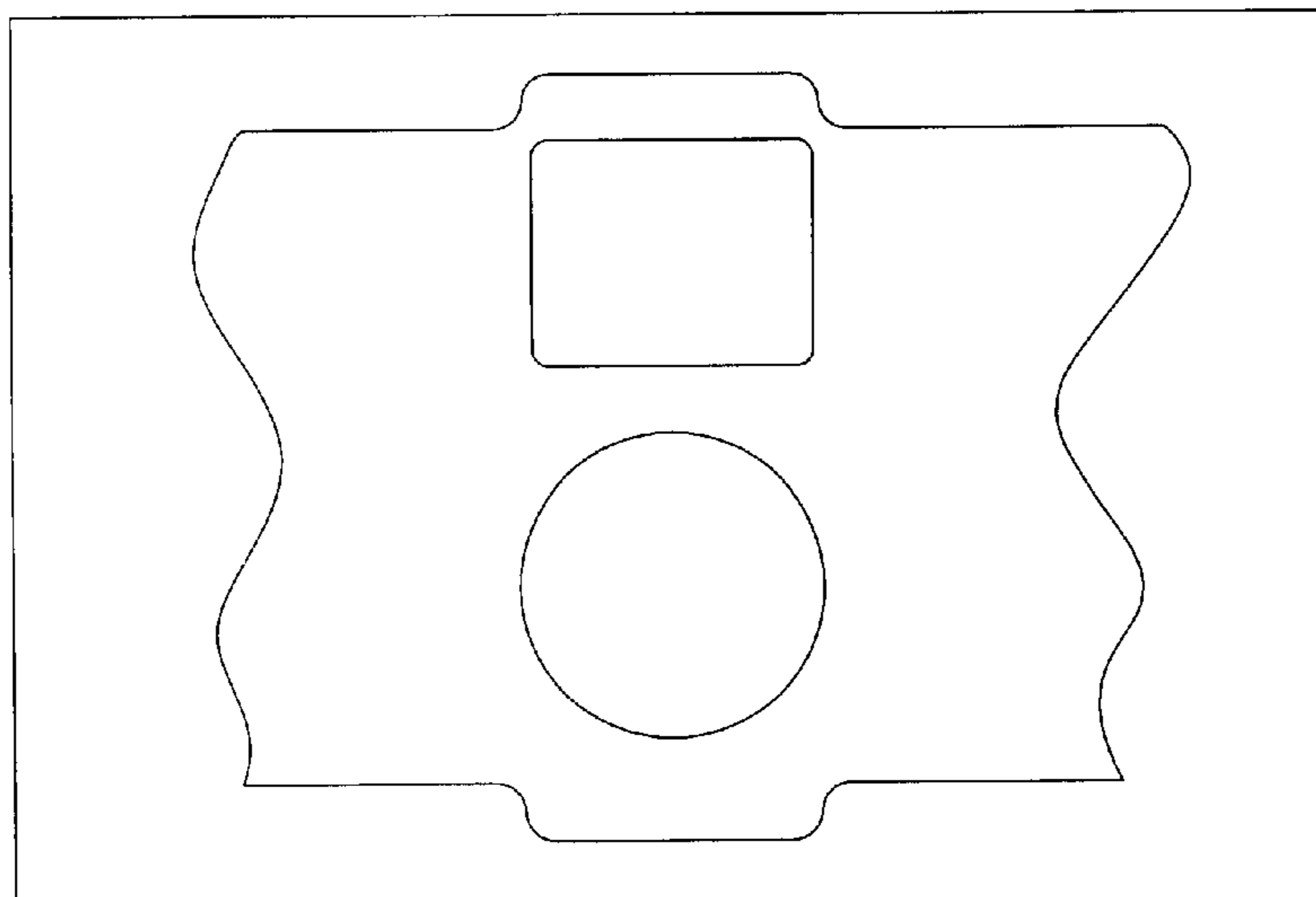
FIG. 5 is a side edge view, taken from the left side of FIG. 1, an opposing side edge being the mirror image thereof.

(56) **References Cited**

U.S. PATENT DOCUMENTS

D32,461 S * 4/1900 Kayser D2/861
D356,521 S * 3/1995 Grube et al. D11/121
D377,688 S * 1/1997 Dunshee et al. D24/189
D378,603 S * 3/1997 Chapman et al. D20/22
D378,767 S * 4/1997 Chapman et al. D20/22
D382,911 S * 8/1997 Magner et al. D20/22
D438,572 S * 3/2001 Schelling et al. D20/22

1 Claim, 2 Drawing Sheets



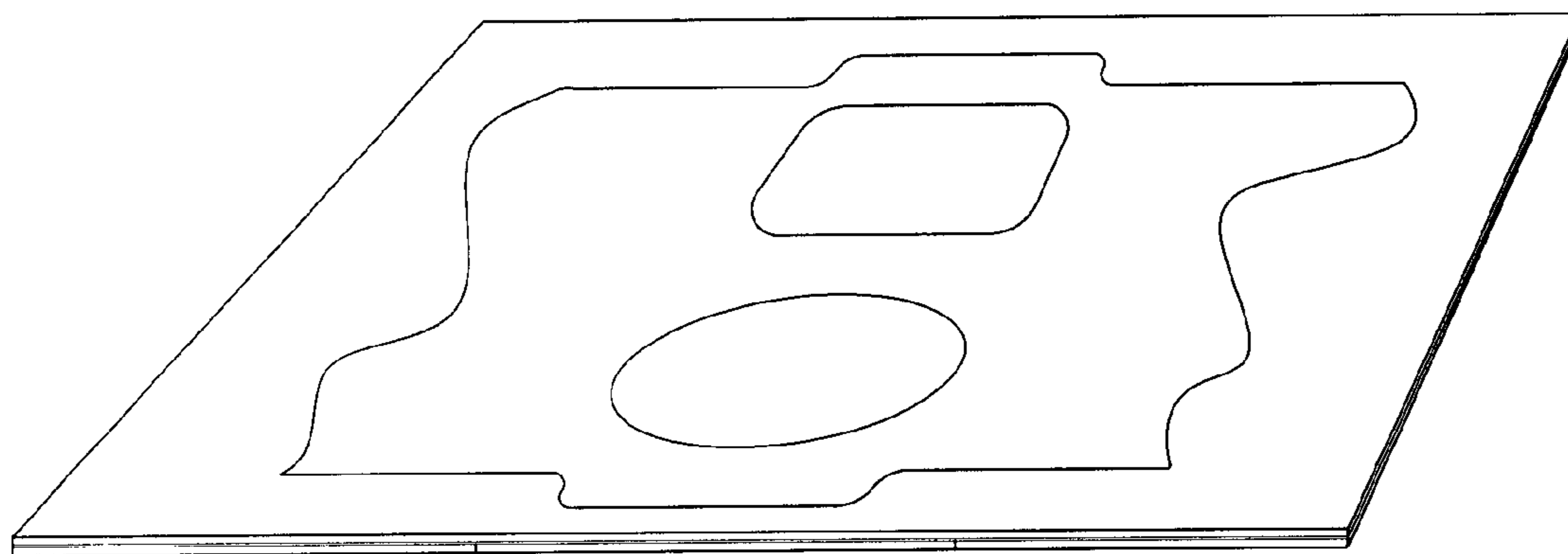


FIG. 1

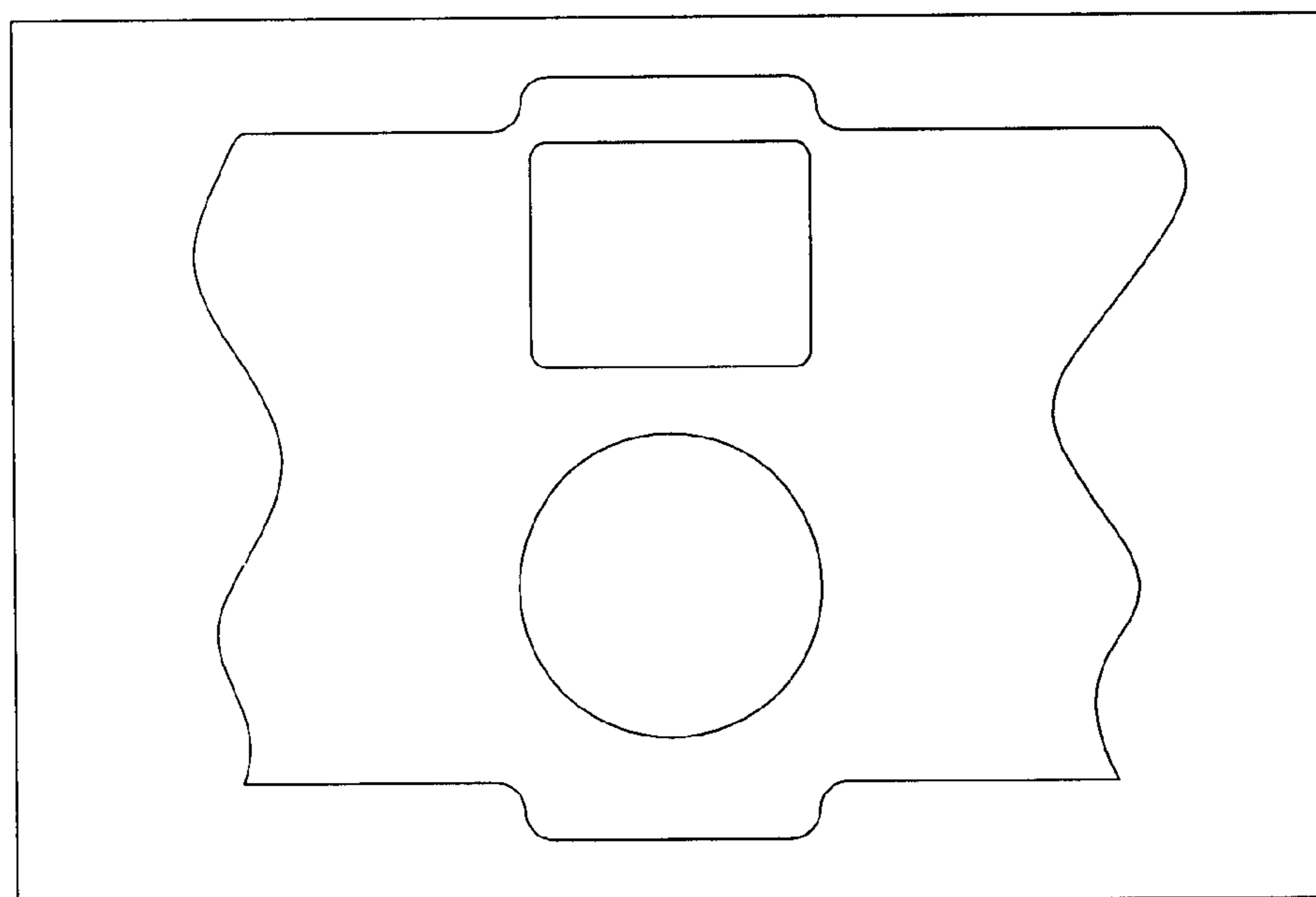


FIG. 2

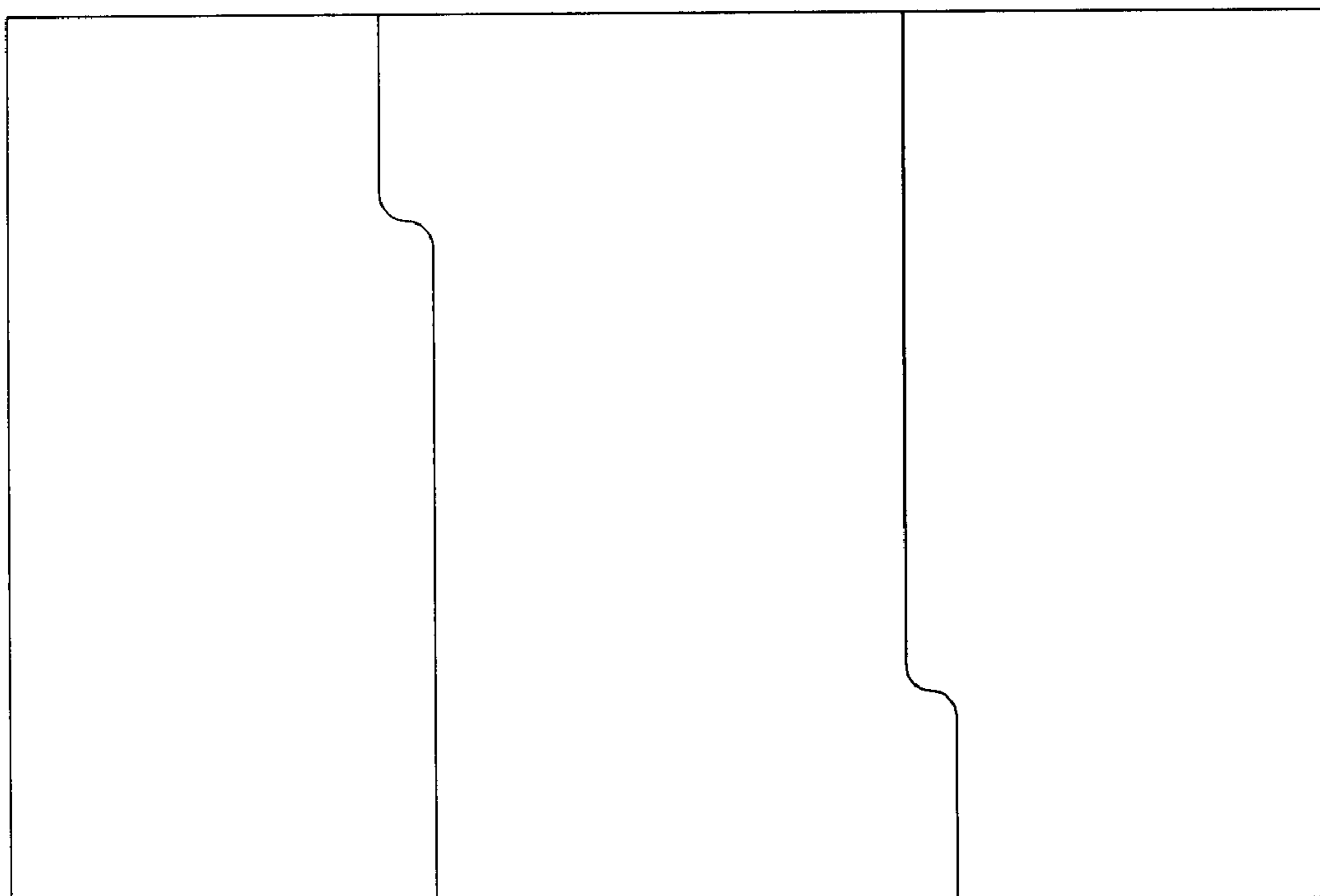


FIG. 3



FIG. 4

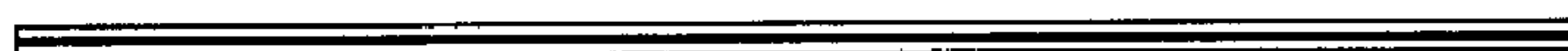


FIG. 5