



US00D522061S

(12) **United States Design Patent**
Chen et al.

(10) **Patent No.:** **US D522,061 S**

(45) **Date of Patent:** **** May 30, 2006**

(54) **PAPER TRAY**

(75) Inventors: **Peter Chen**, West Windsor, NJ (US);
Jungkun Lee, Edison, NJ (US)

(73) Assignee: **Officemate International Corp.**,
Edison, NJ (US)

(**) Term: **14 Years**

(21) Appl. No.: **29/229,549**

(22) Filed: **May 9, 2005**

(51) **LOC (8) Cl.** **19-02**

(52) **U.S. Cl.** **D19/92**

(58) **Field of Classification Search** D3/304,
D3/314; D19/75, 78, 86, 87, 90, 91, 92, 95;
206/215, 555, 556, 557; 211/11, 126.1, 126.2,
211/126.3, 126.4, 126.5, 126.6, 126.7, 126.14,
211/126.16

See application file for complete search history.

(56) **References Cited**

U.S. PATENT DOCUMENTS

- 2,894,640 A * 7/1959 Bigelow 211/126.5
- 2,901,120 A * 8/1959 Abrahamson 211/126.12
- D249,048 S * 8/1978 Drell et al. D19/92
- 4,534,475 A * 8/1985 Mayo 211/126.12

- 5,054,629 A * 10/1991 Breen 211/126.12
- D323,677 S * 2/1992 Evenson D19/92
- D334,593 S * 4/1993 Evenson D19/92
- 5,641,074 A * 6/1997 Smed 211/11
- D384,975 S * 10/1997 Jackson D19/92
- D454,371 S * 3/2002 Goodman et al. D19/92

* cited by examiner

Primary Examiner—Caron D. Veynar

Assistant Examiner—Elizabeth Albert

(74) *Attorney, Agent, or Firm*—Daniel Kirshner

(57) **CLAIM**

The ornamental design for a paper tray, as shown and described.

DESCRIPTION

FIG. 1 is a front perspective view of a paper tray showing the new design;

FIG. 2 is a front elevational view thereof;

FIG. 3 is a rear elevational view thereof;

FIG. 4 is right side elevational view thereof;

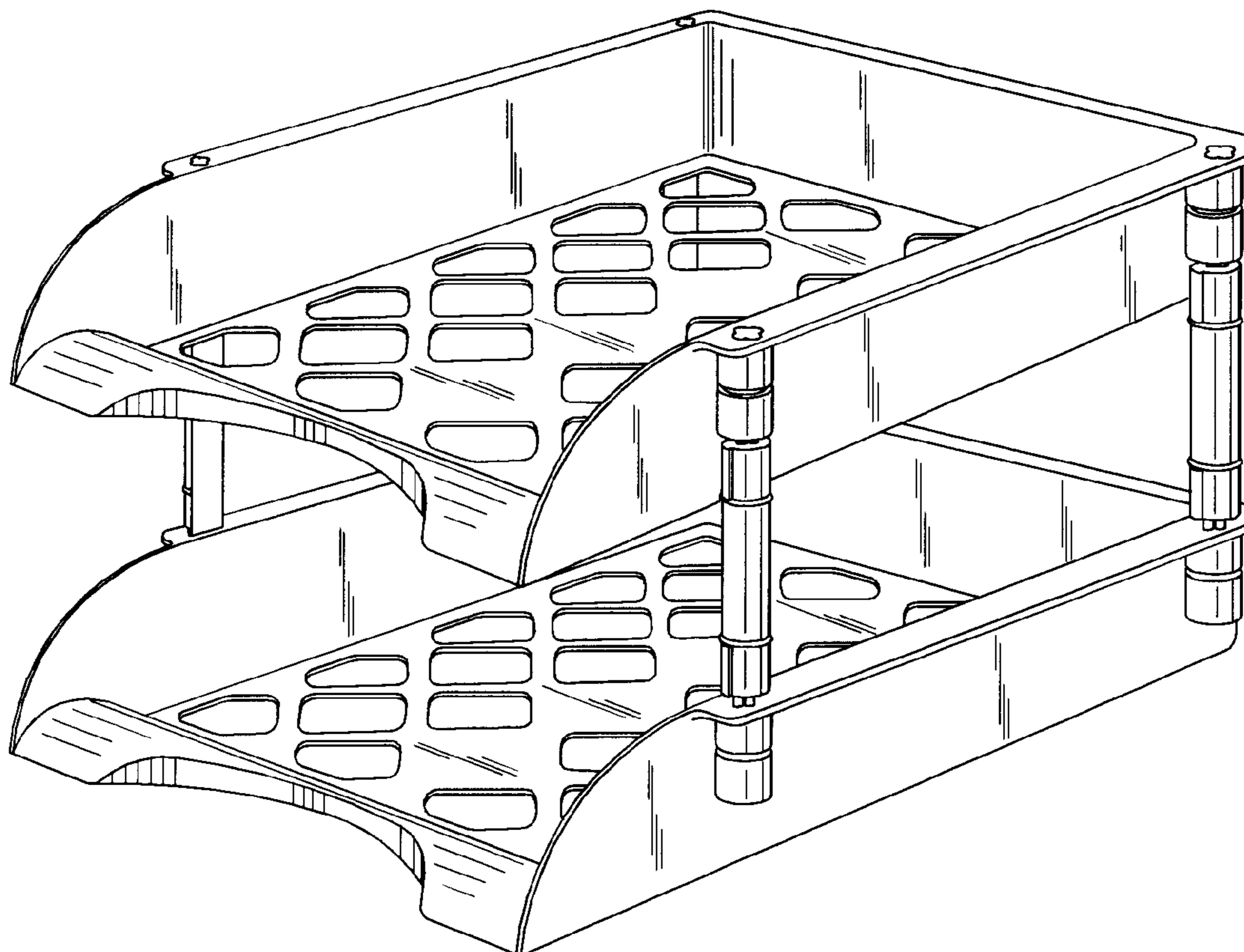
FIG. 5 is a left side elevational view thereof;

FIG. 6 is a top view thereof;

FIG. 7 is a bottom view thereof; and,

FIG. 8 is a front perspective view thereof in an exploded condition.

1 Claim, 7 Drawing Sheets



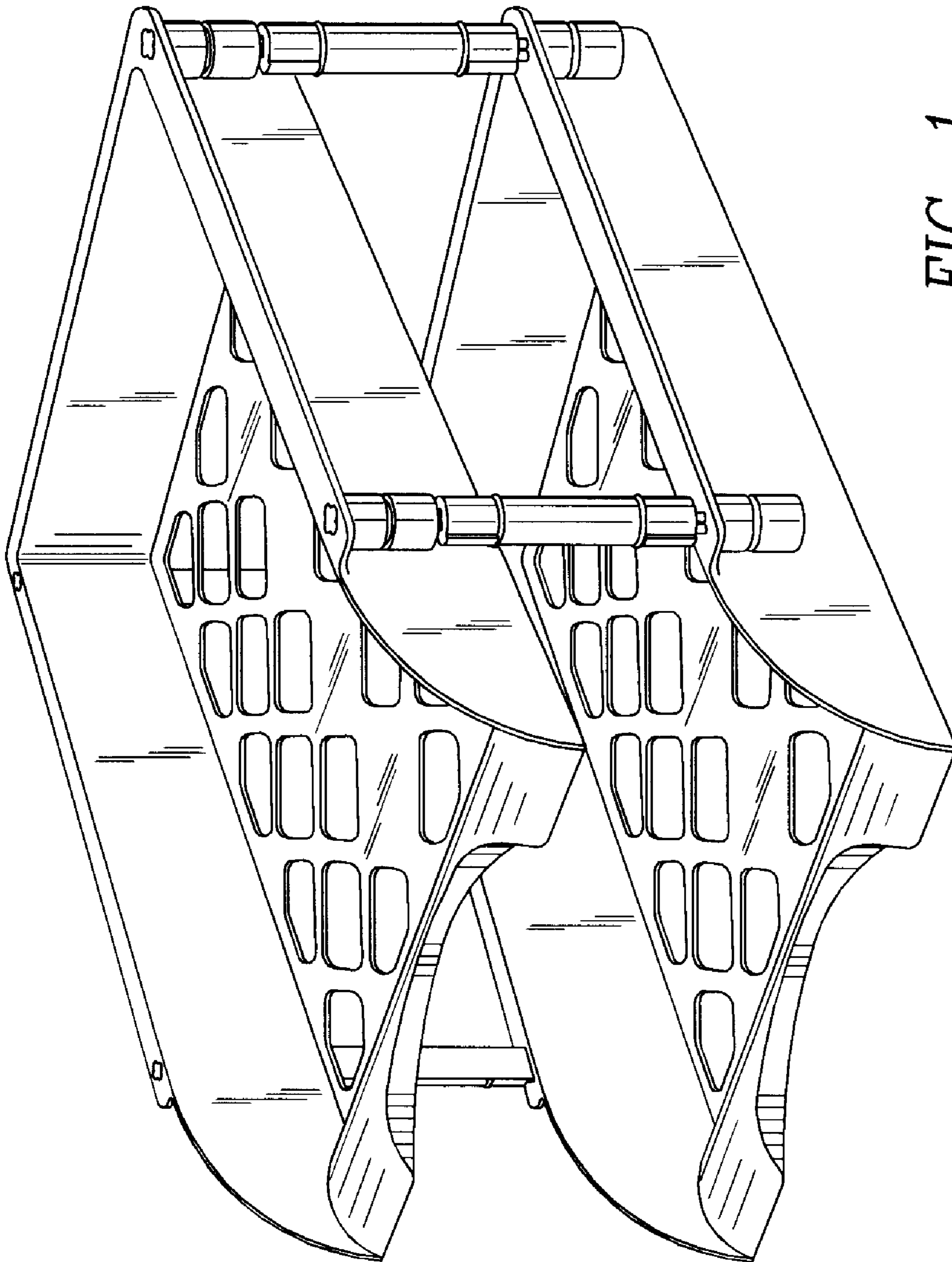


FIG. 1

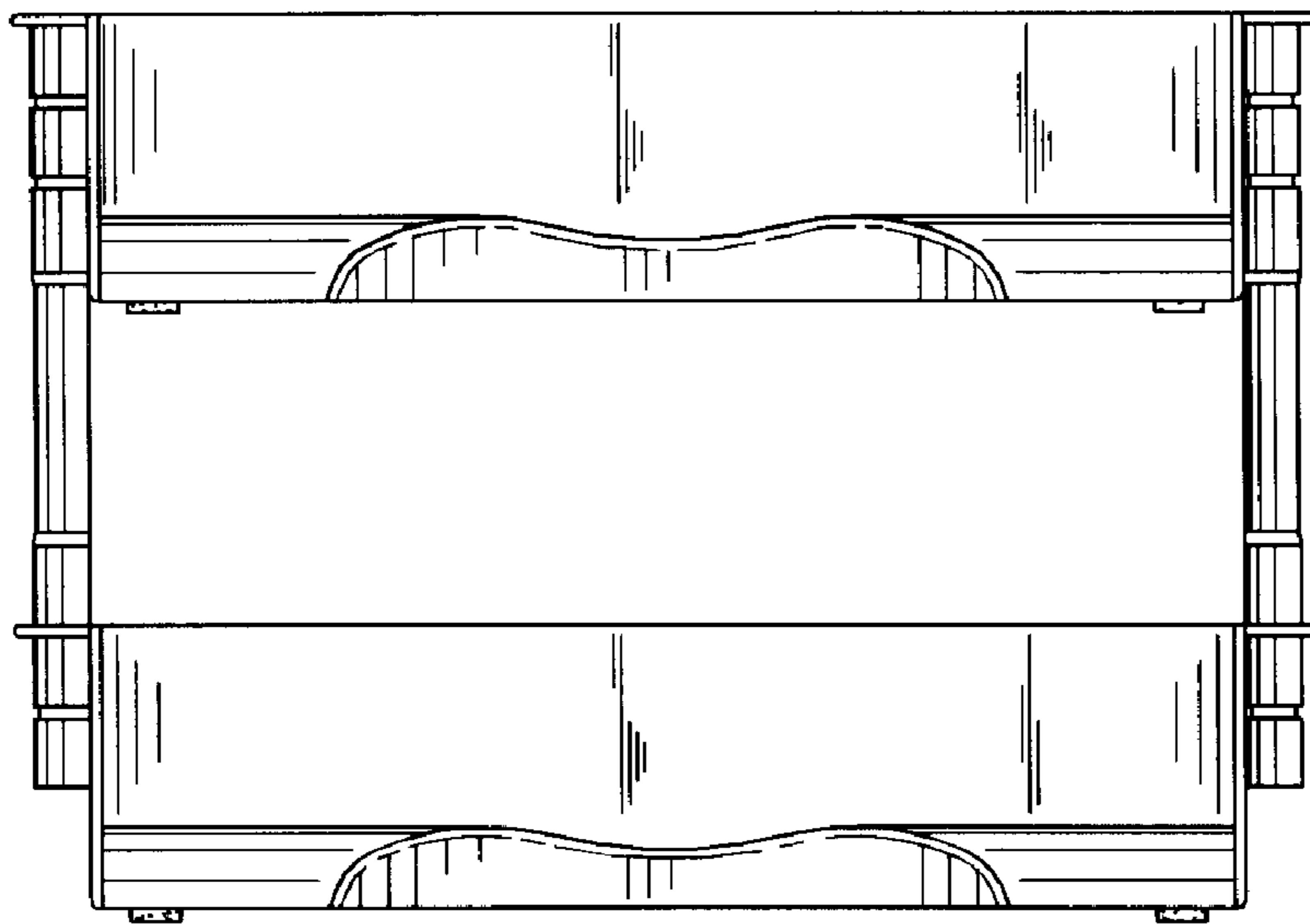


FIG. 2

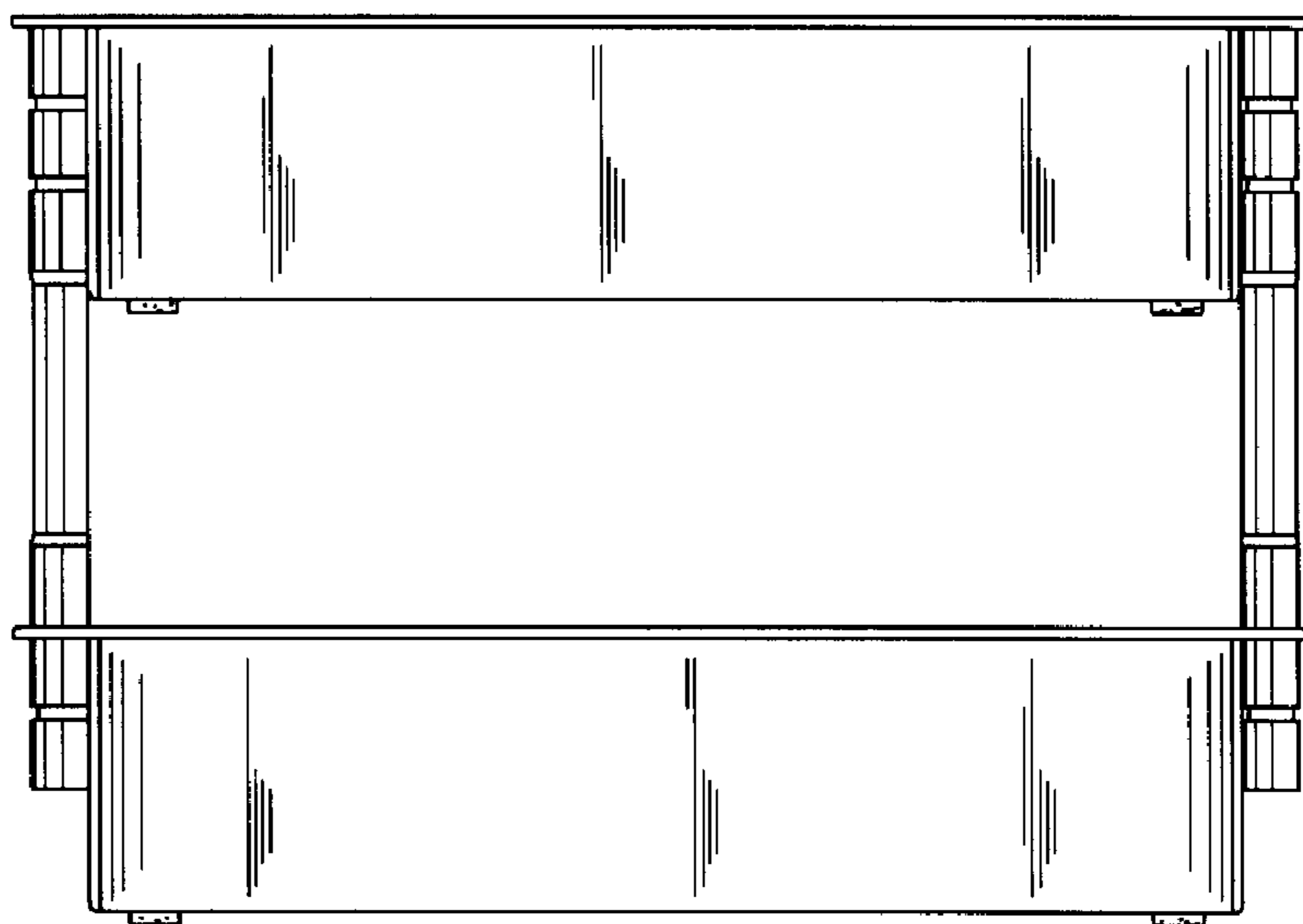


FIG. 3

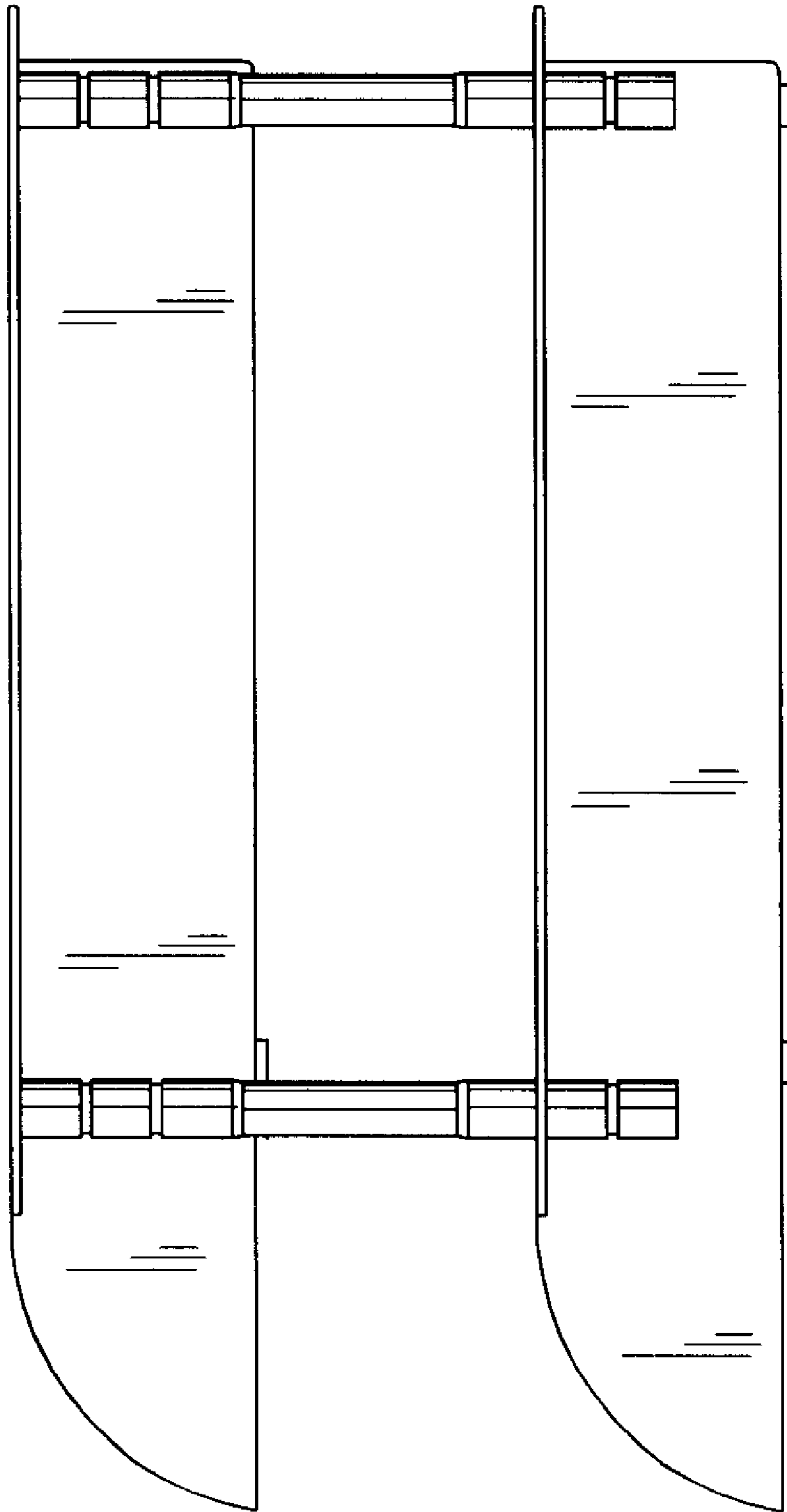


FIG. 4

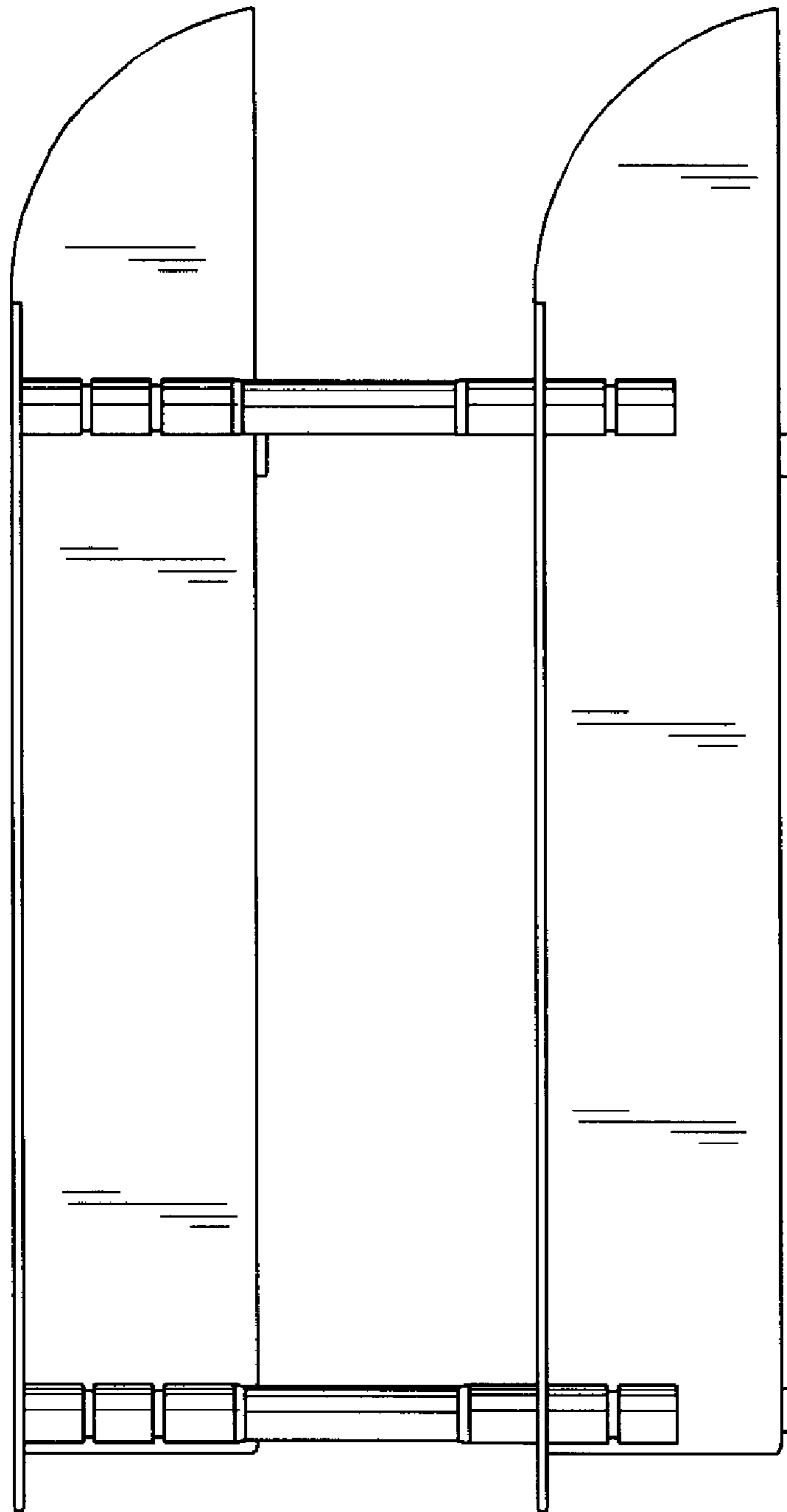


FIG. 5

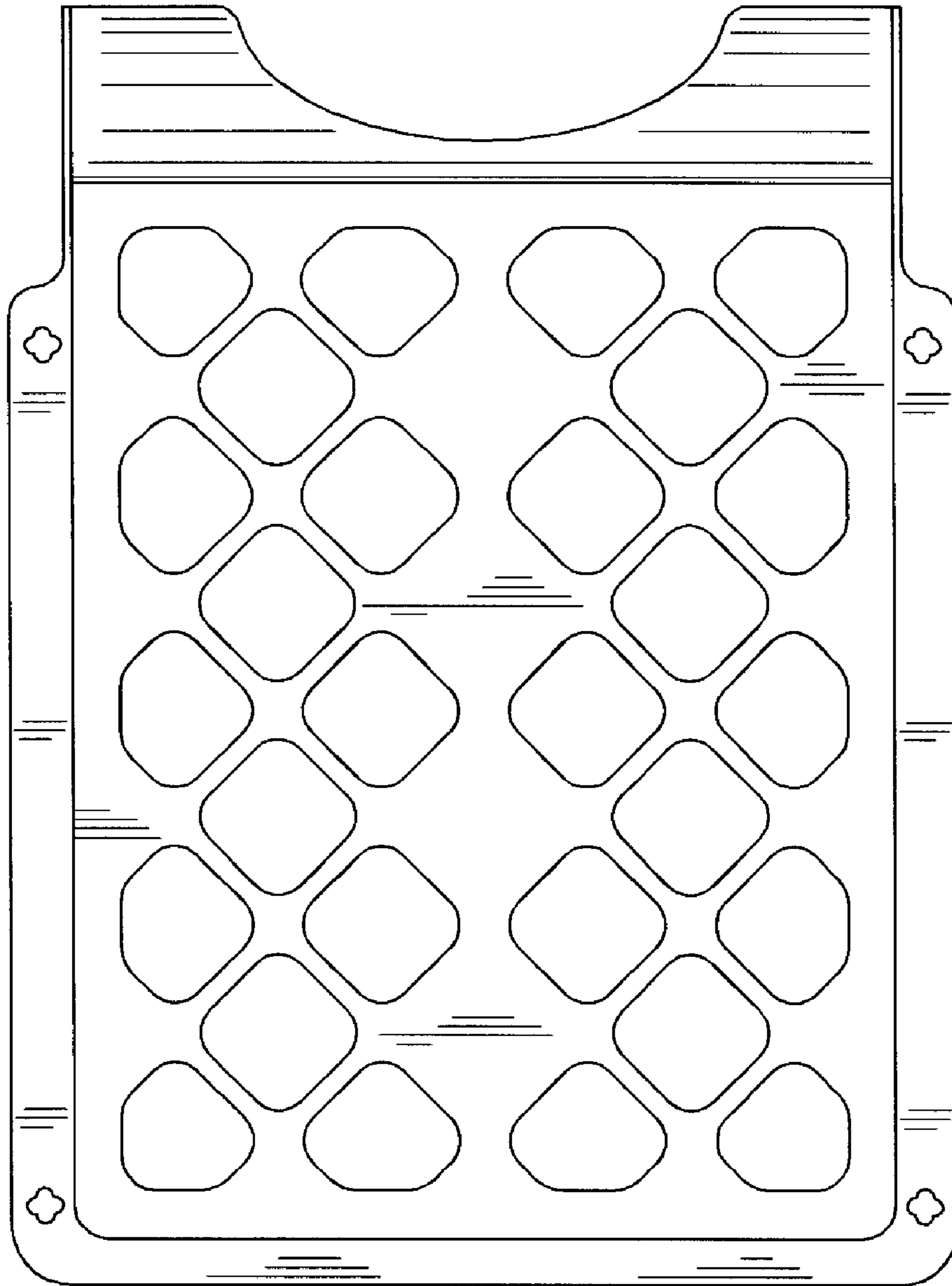


FIG. 6

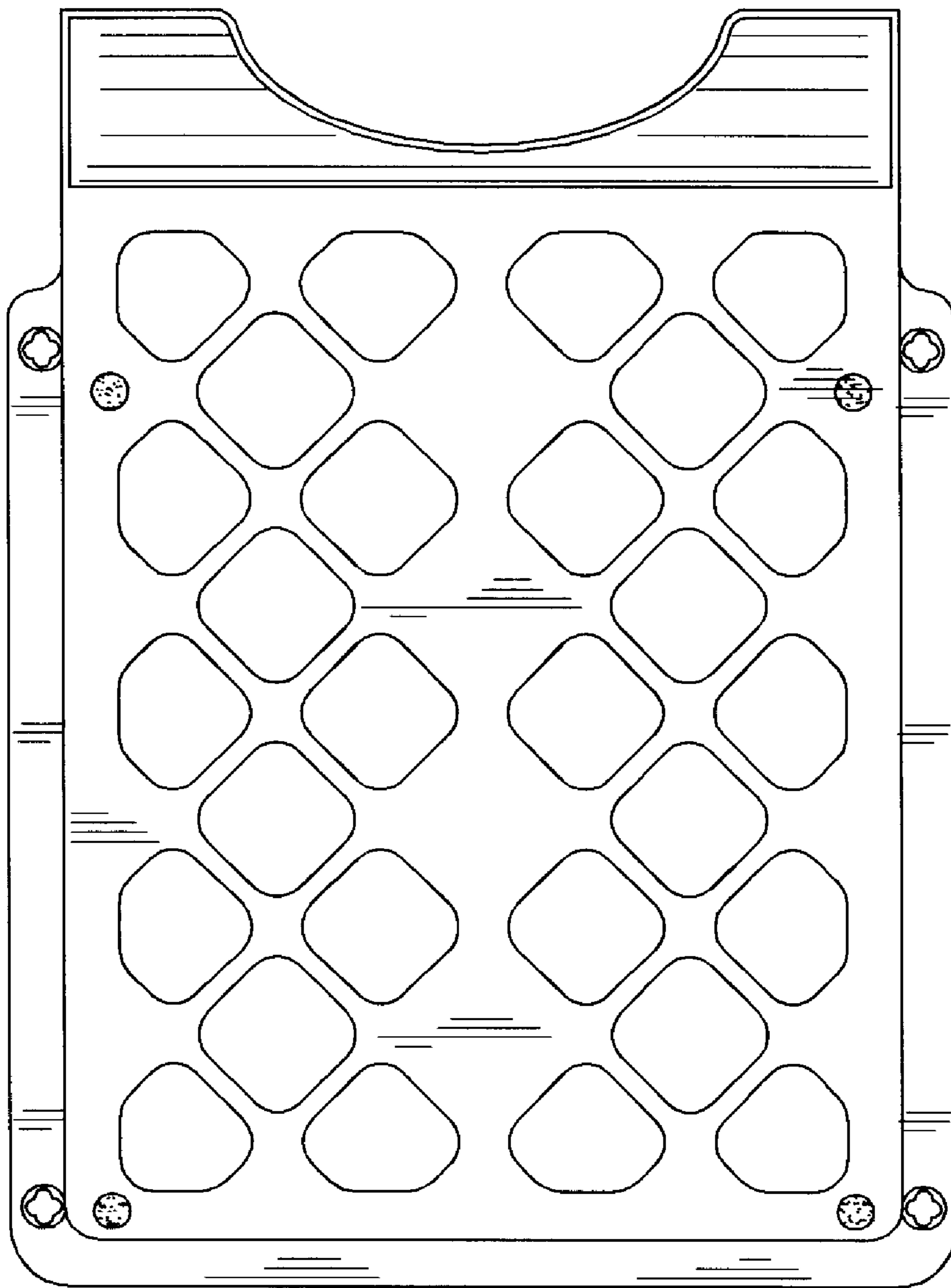


FIG. 7

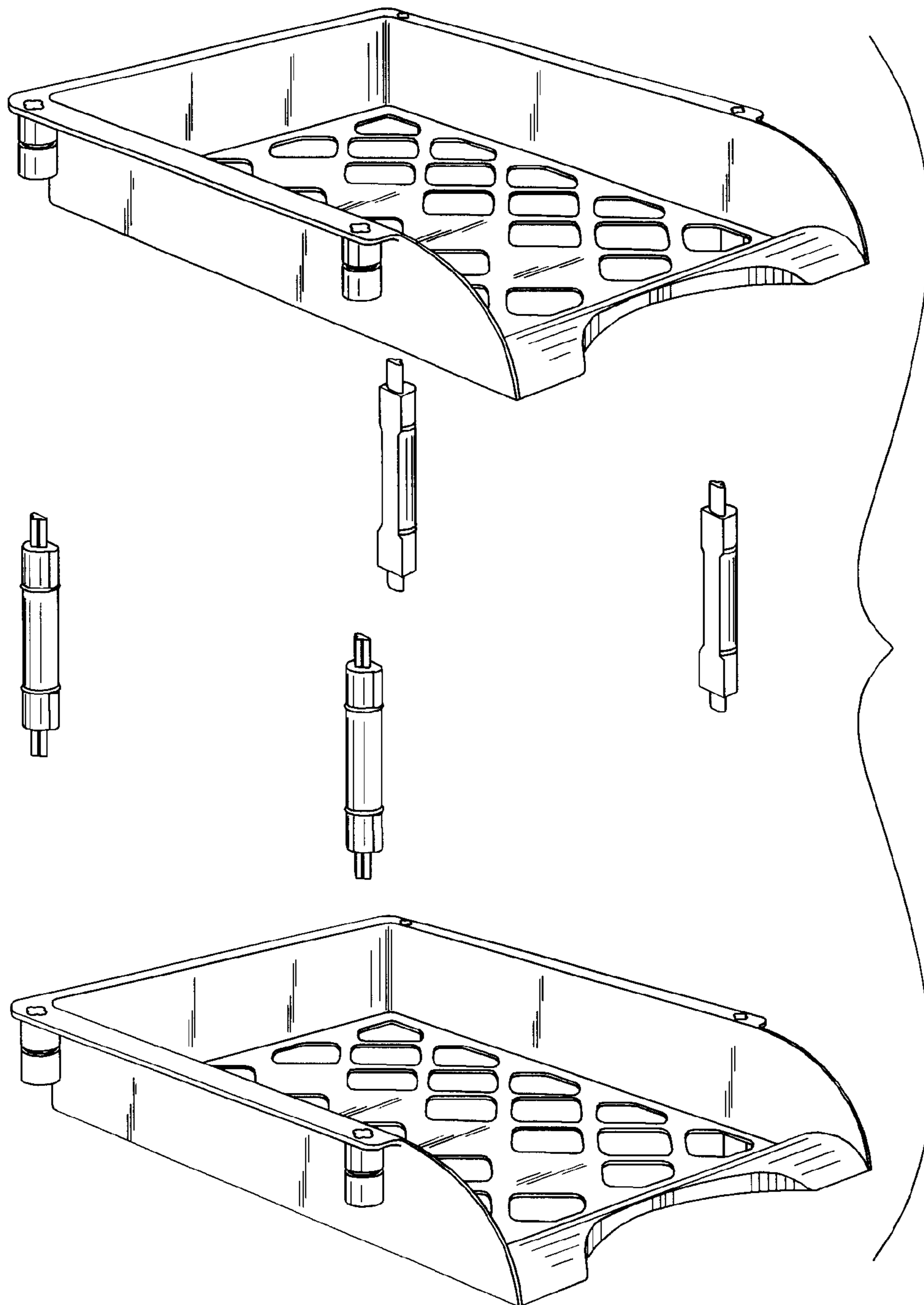


FIG. 8