



US00D522059S

(12) **United States Design Patent**
Killinger et al.

(10) **Patent No.:** **US D522,059 S**

(45) **Date of Patent:** **** May 30, 2006**

(54) **DOCUMENT TRAY**

(75) Inventors: **Timothy D. Killinger**, Plainfield, IL (US); **Matthew G. Lerch**, Chicago, IL (US); **Aaron W. Smith**, Plainfield, IL (US); **Gilberto Cavada, Jr.**, Melrose Park, IL (US); **Melanie Lyn Conklin**, Chicago, IL (US)

(73) Assignee: **Rubbermaid Incorporated**, Fairlawn, OH (US)

(**) Term: **14 Years**

(21) Appl. No.: **29/224,672**

(22) Filed: **Mar. 4, 2005**

(51) **LOC (8) Cl.** **19-02**

(52) **U.S. Cl.** **D19/92**

(58) **Field of Classification Search** D3/304,
D3/314; D19/75, 78, 86, 87, 90, 91, 92, 95;
206/215, 555, 556, 557; 211/11, 126.1, 126.2,
211/126.3, 126.4, 126.5, 126.6, 126.7, 126.14,
211/126.16

See application file for complete search history.

(56) **References Cited**

U.S. PATENT DOCUMENTS

D158,444 S	*	5/1950	Converse	D19/86
D229,108 S	*	11/1973	Grosse	D19/92
3,934,724 A		1/1976	Johnson		
D246,906 S	*	1/1978	Leopoldi	D19/92
4,102,453 A		7/1978	Carroll et al.		
4,238,032 A		12/1980	Thurman		
4,320,837 A		3/1982	Carroll et al.		
D331,257 S		11/1992	Breen et al.		
D334,593 S		4/1993	Evenson		

D338,917 S	8/1993	Aaldenberg
D348,904 S	7/1994	Linder
D356,822 S	3/1995	Volk
D382,402 S	8/1997	Pawuk et al.
D390,876 S	2/1998	Cheris et al.
D434,804 S	12/2000	Chang
D454,371 S	3/2002	Goodman et al.
D479,273 S	9/2003	Chang
D492,360 S	6/2004	Hardy

* cited by examiner

Primary Examiner—Caron D. Veynar

Assistant Examiner—Elizabeth Albert

(74) *Attorney, Agent, or Firm*—Marshall, Gerstein & Borun LLP

(57) **CLAIM**

The ornamental design for a “document tray,” as shown and described.

DESCRIPTION

FIG. 1 is a perspective view of a document tray showing our new design;

FIG. 2 is a front elevational view of the document tray of FIG. 1;

FIG. 3 is a left side elevational view of the document tray of FIG. 1, the right side elevational view being a mirror image thereof;

FIG. 4 is a rear elevational view of the document tray of FIG. 1;

FIG. 5 is a top plan view of the document tray of FIG. 1; and, FIG. 6 is a bottom plan view of the document tray of FIG. 1.

The dashed lines are for illustrative purposes only and form no part of the claimed design.

1 Claim, 4 Drawing Sheets

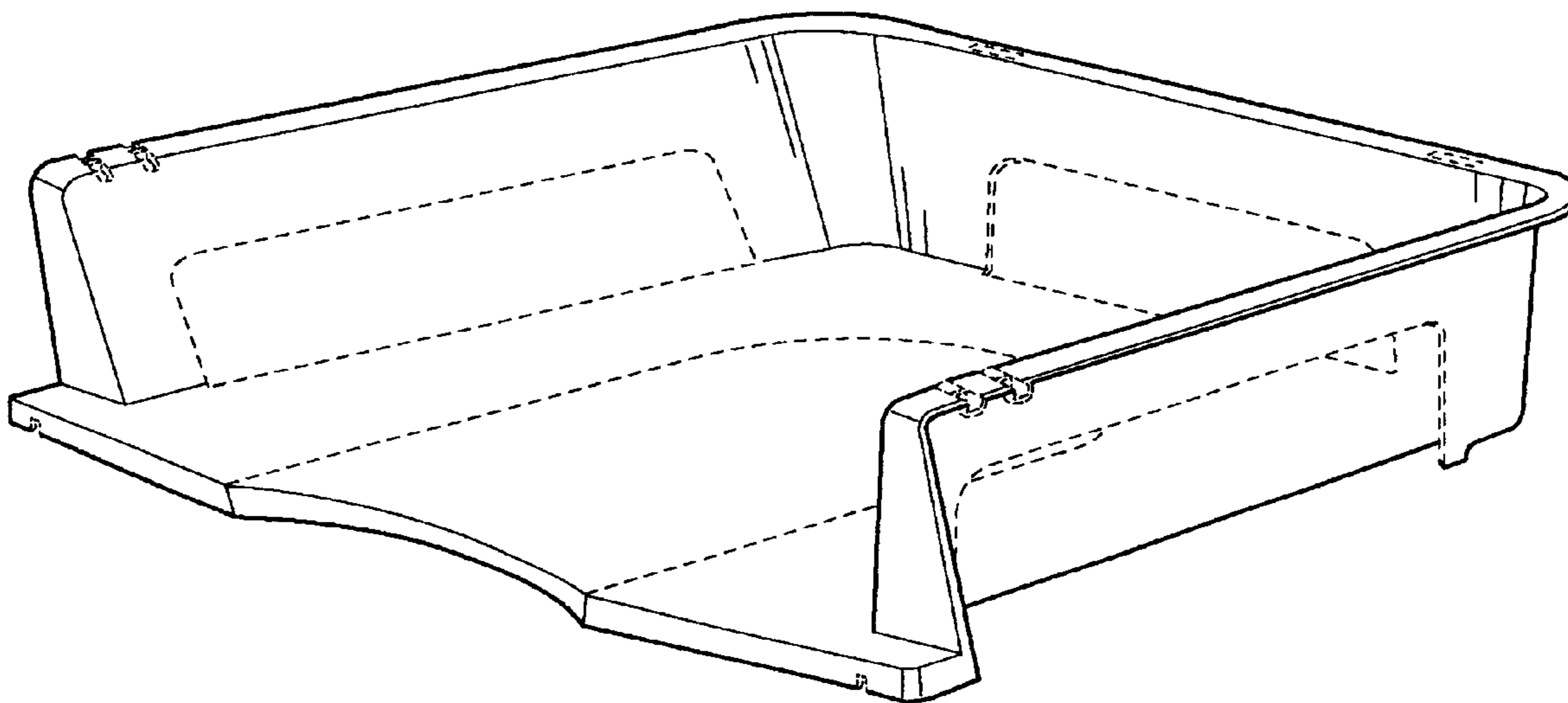


FIG. 1

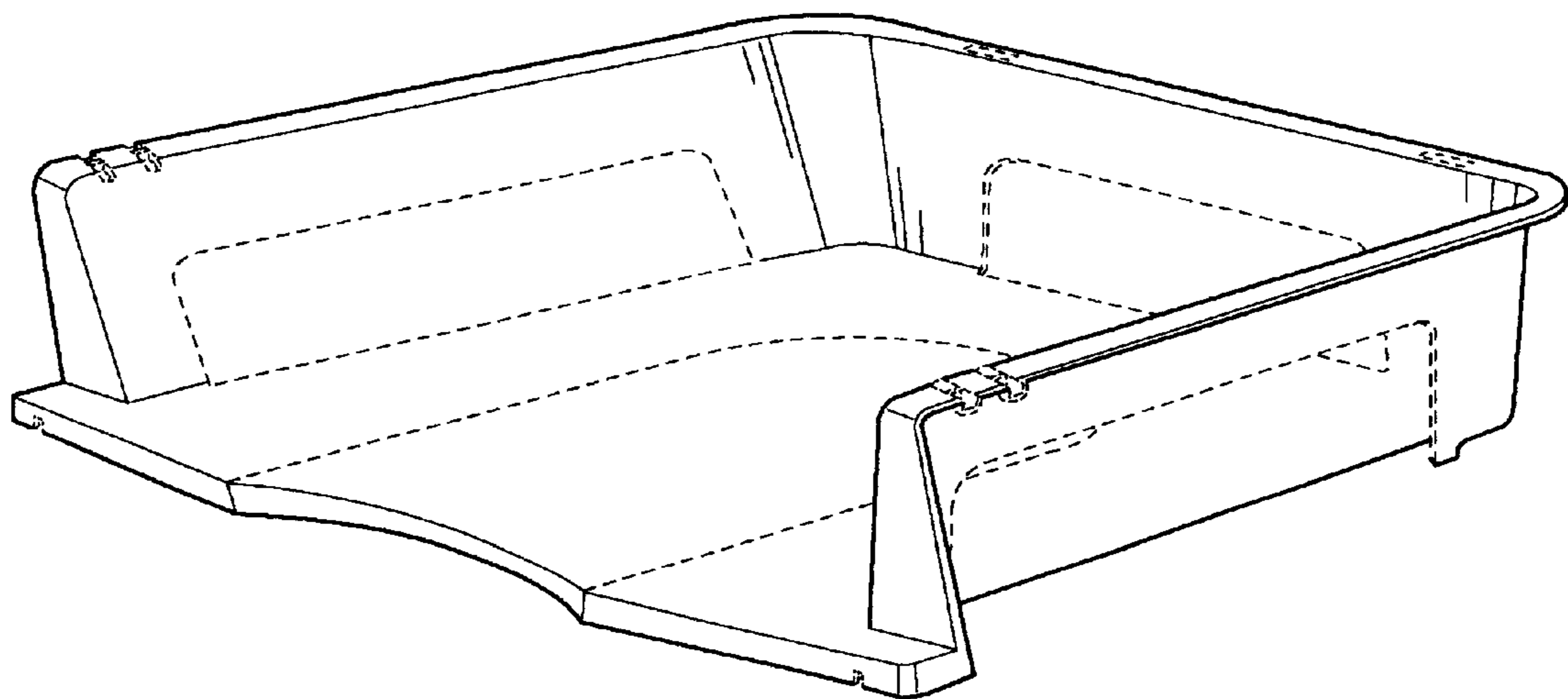


FIG. 2

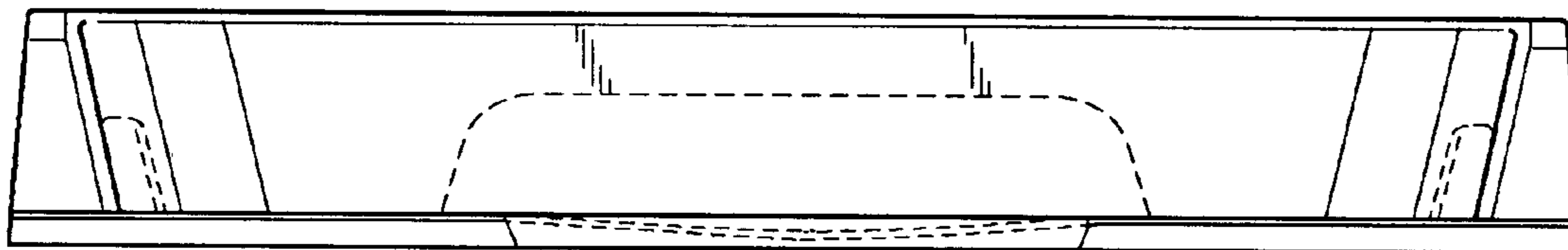


FIG. 3

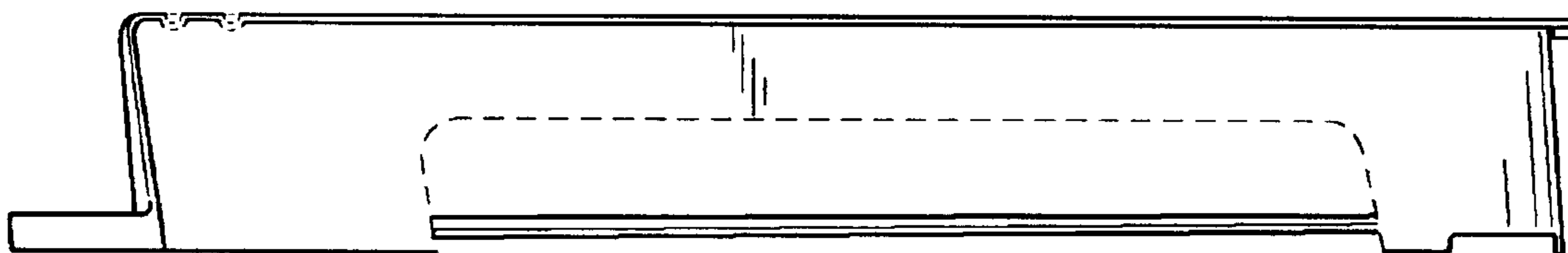


FIG. 4

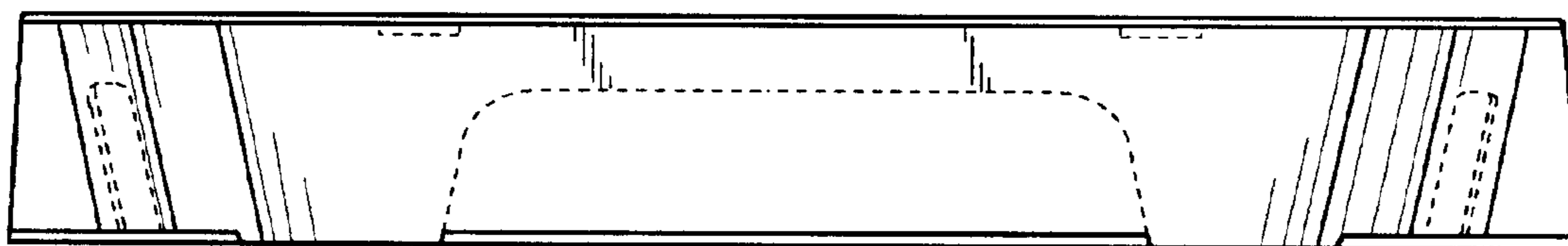


FIG. 5

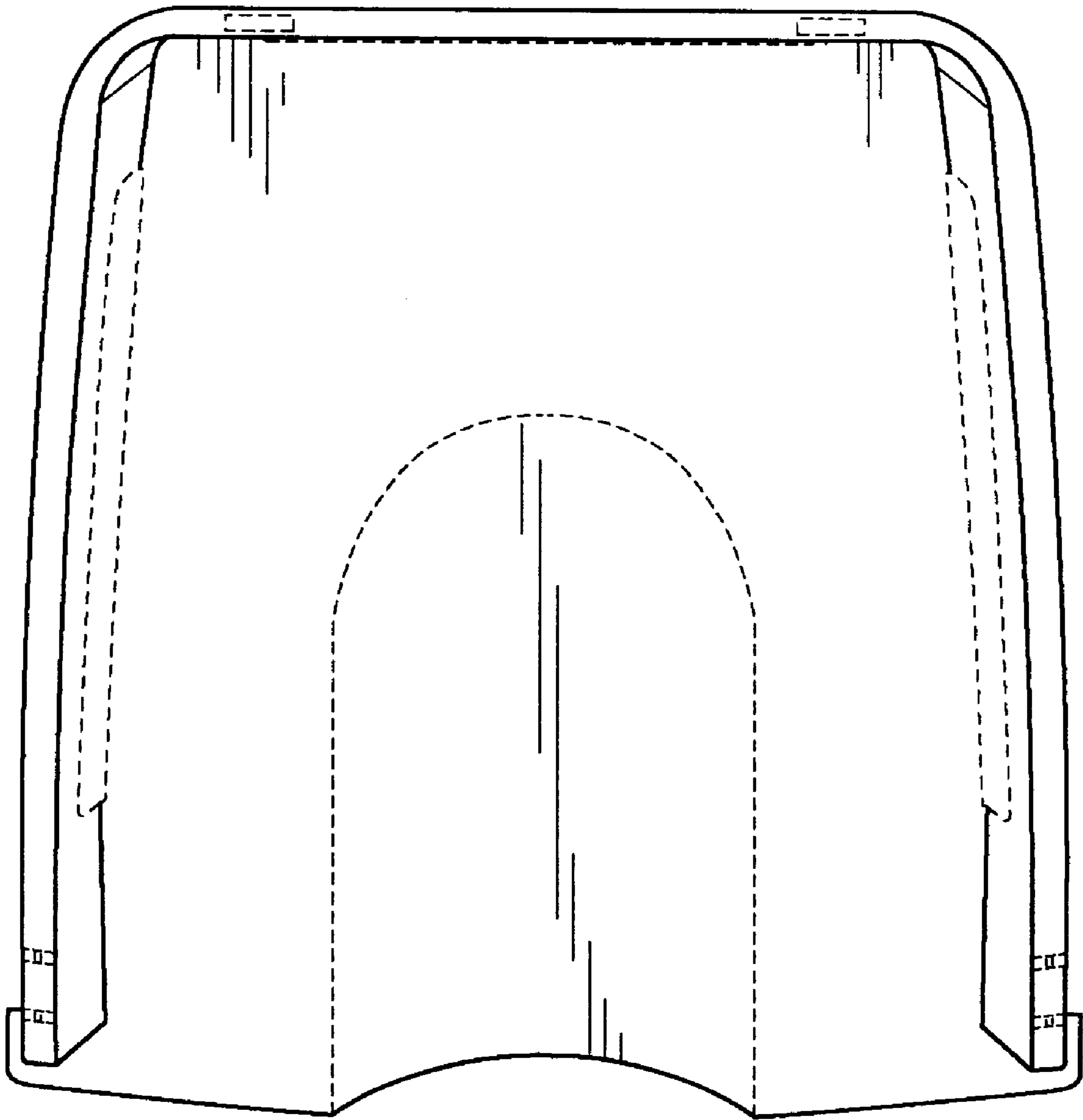


FIG. 6

