



US00D522056S

(12) **United States Design Patent**
Smith

(10) **Patent No.:** **US D522,056 S**

(45) **Date of Patent:** **** May 30, 2006**

(54) **PAIRED BOOKENDS**

(76) **Inventor:** **Stephen F. Smith**, 2311 Bottle Bay Rd., Sagle, ID (US) 83860

(**) **Term:** **14 Years**

(21) **Appl. No.:** **29/241,591**

(22) **Filed:** **Oct. 28, 2005**

Related U.S. Application Data

(63) Continuation-in-part of application No. 29/218,981, filed on Dec. 10, 2004.

(51) **LOC (8) Cl.** **19-99**

(52) **U.S. Cl.** **D19/34.3**

(58) **Field of Classification Search** D11/133, D11/157; D19/34.1, 34.2, 34.3, 34.4, 34.5, D19/80, 82, 94, 97; D21/775; 211/42, 43; 280/819, 820, 821, 822, 823, 824
See application file for complete search history.

(56) **References Cited**

U.S. PATENT DOCUMENTS

3,150,879 A	9/1964	Head
3,561,782 A	2/1971	Tyrack
D243,265 S	2/1977	Koblick
D257,806 S	1/1981	Maune
4,316,620 A	2/1982	Wien
D263,410 S	3/1982	Wien
4,596,405 A	6/1986	Jones

4,645,235 A	2/1987	Joseph
5,294,152 A	3/1994	Jacobs
D356,352 S	3/1995	Johnson
D362,017 S	9/1995	McConnell
5,505,492 A	4/1996	Nelson
5,538,285 A	7/1996	Goode
6,152,491 A	11/2000	Queentry
2001/0011817 A1	8/2001	Zaltron
2004/0178621 A1	9/2004	Martin

Primary Examiner—Janice E. Seeger
Assistant Examiner—Elizabeth Albert
(74) *Attorney, Agent, or Firm*—Wells St. John P.S.

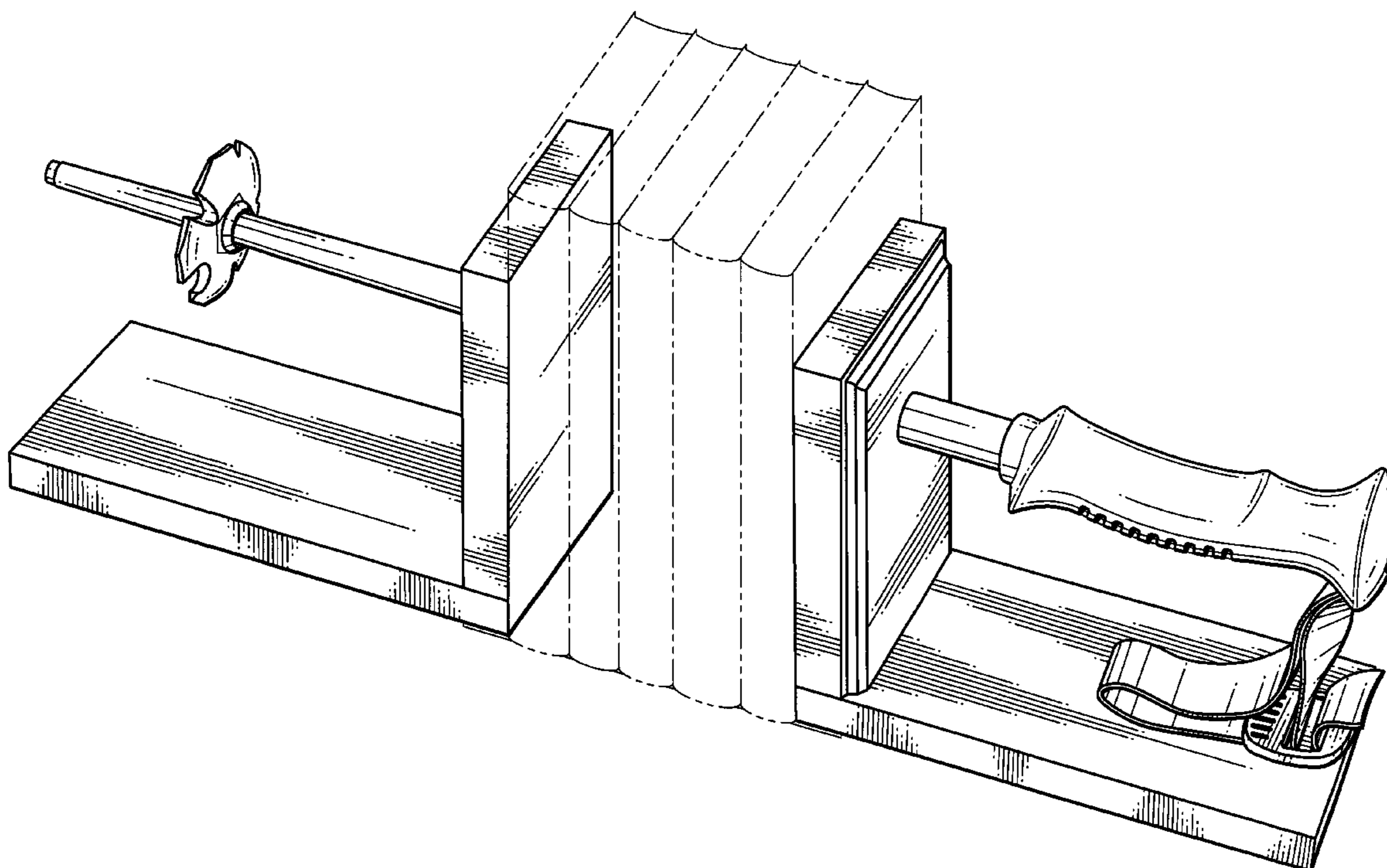
(57) **CLAIM**

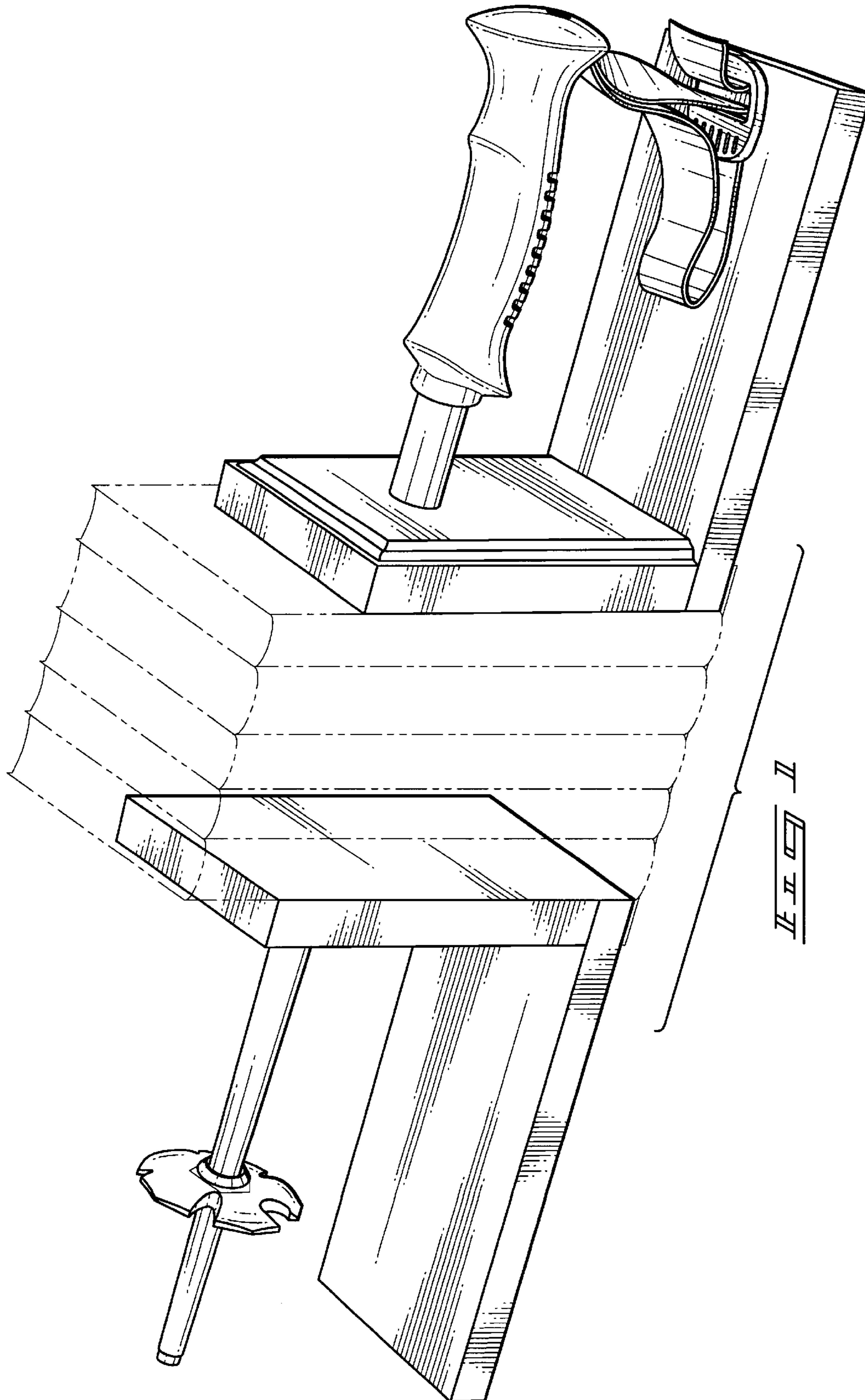
I claim the ornamental design of a paired bookends, showing my new design.

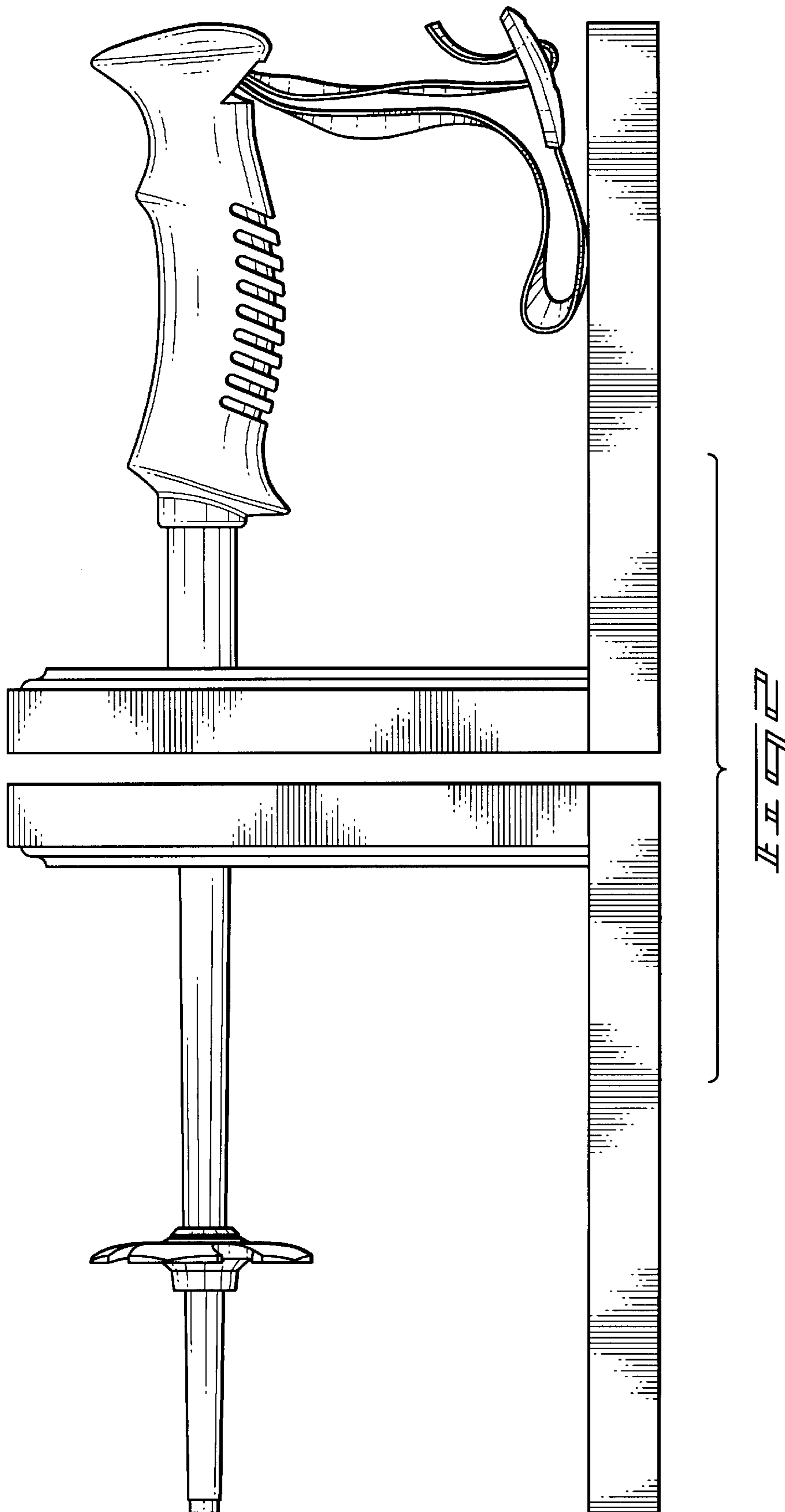
DESCRIPTION

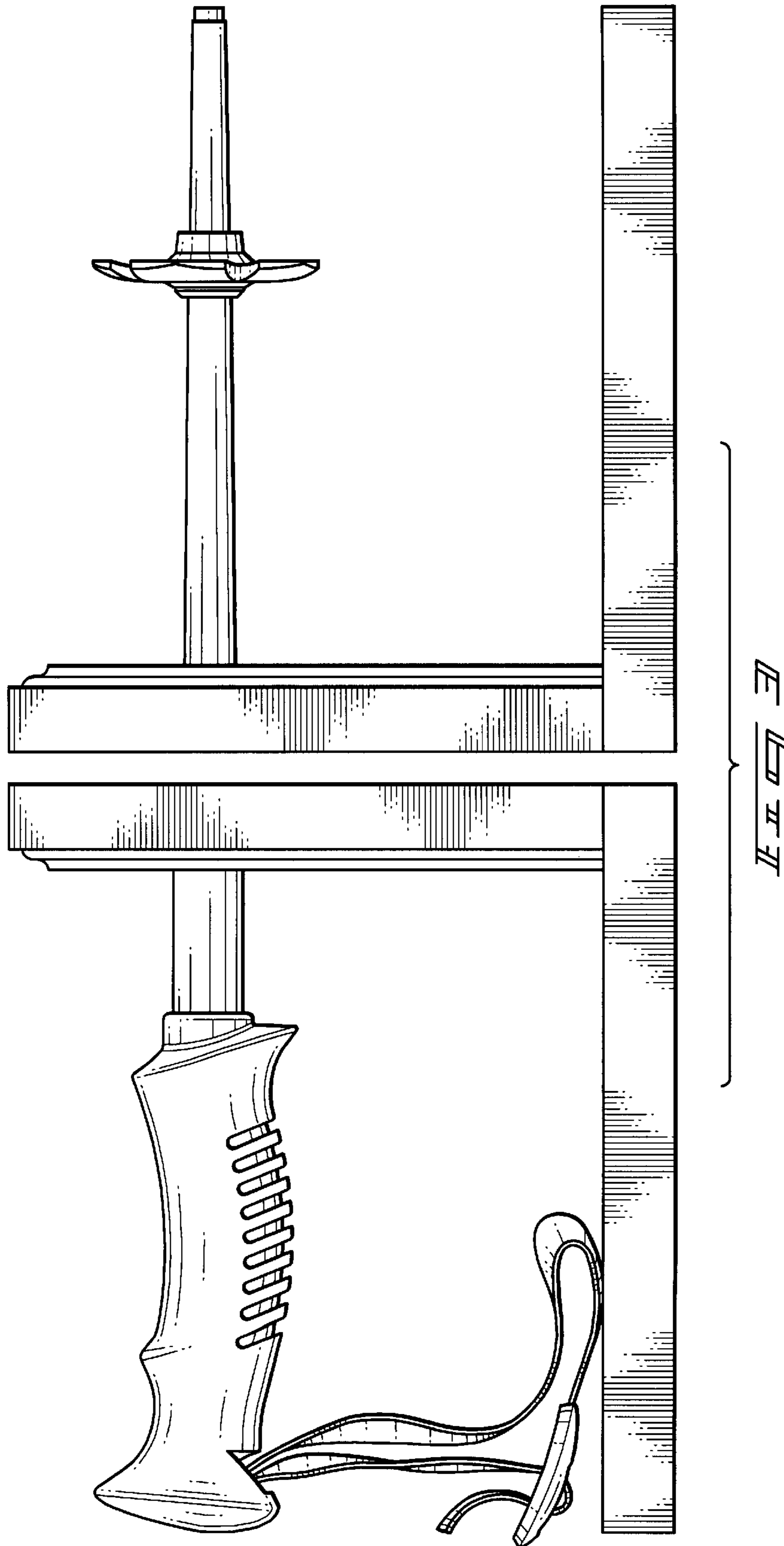
FIG. 1 is an exploded perspective view of the paired bookends showing my new design. The broken lines showing the environment in FIG. 1 are for information purposes only and form no part of the claimed design. FIG. 2 is an exploded first side elevation view of FIG. 1. FIG. 3 is an exploded second side elevation view taken from a position opposite that seen in FIG. 2. FIG. 4 is an exploded top plan view of FIG. 1. FIG. 5 is an exploded bottom plan view of FIG. 1. FIG. 6 is a first end view of FIG. 1; and, FIG. 7 is a second end view taken from a position opposite to that seen in FIG. 6.

1 Claim, 5 Drawing Sheets









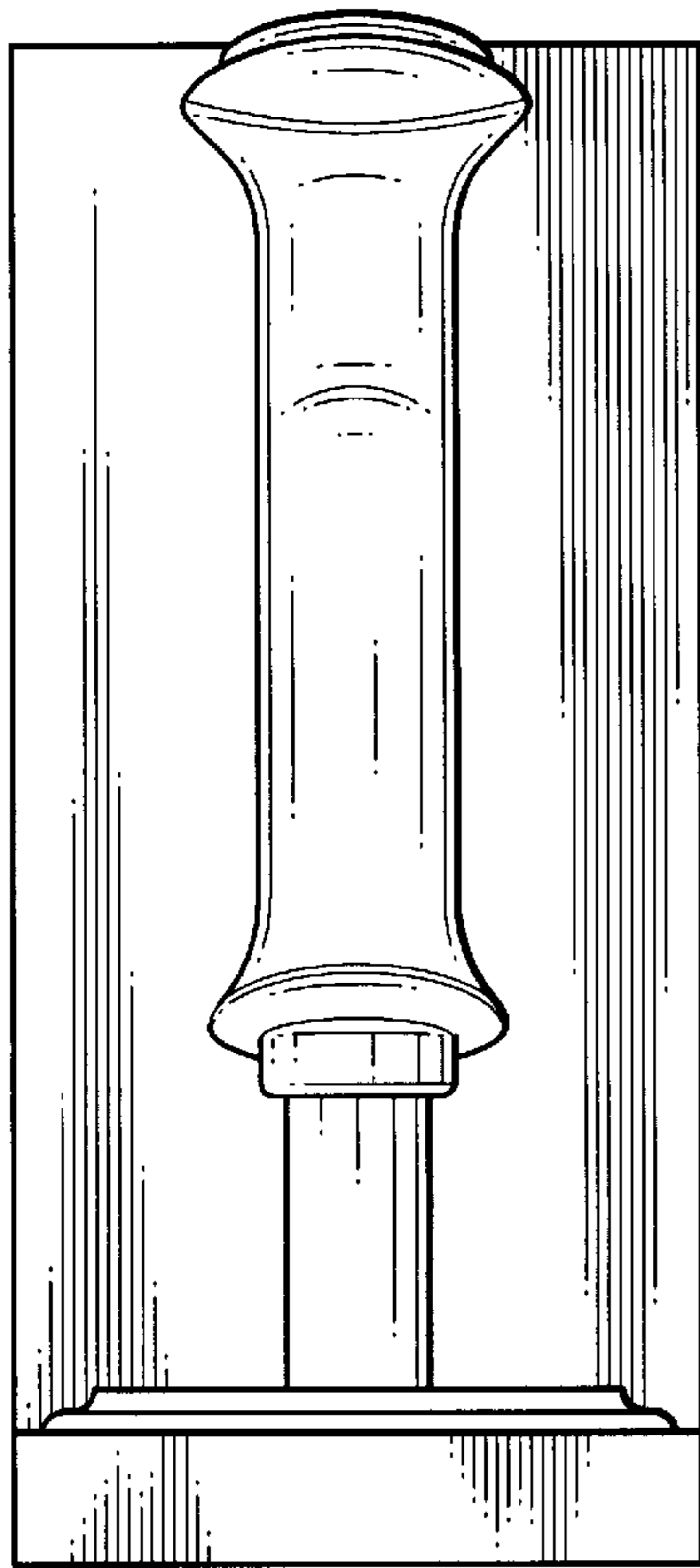


FIG. 4

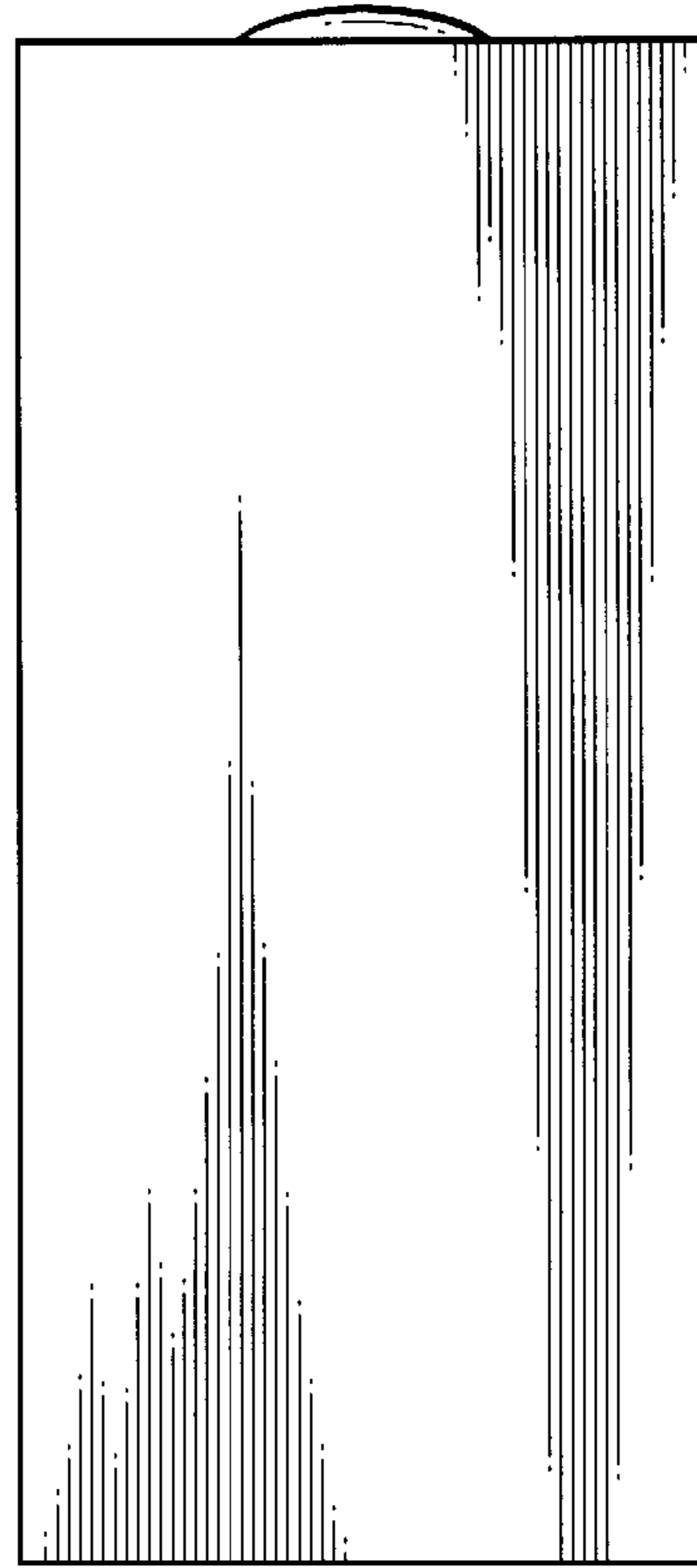


FIG. 5

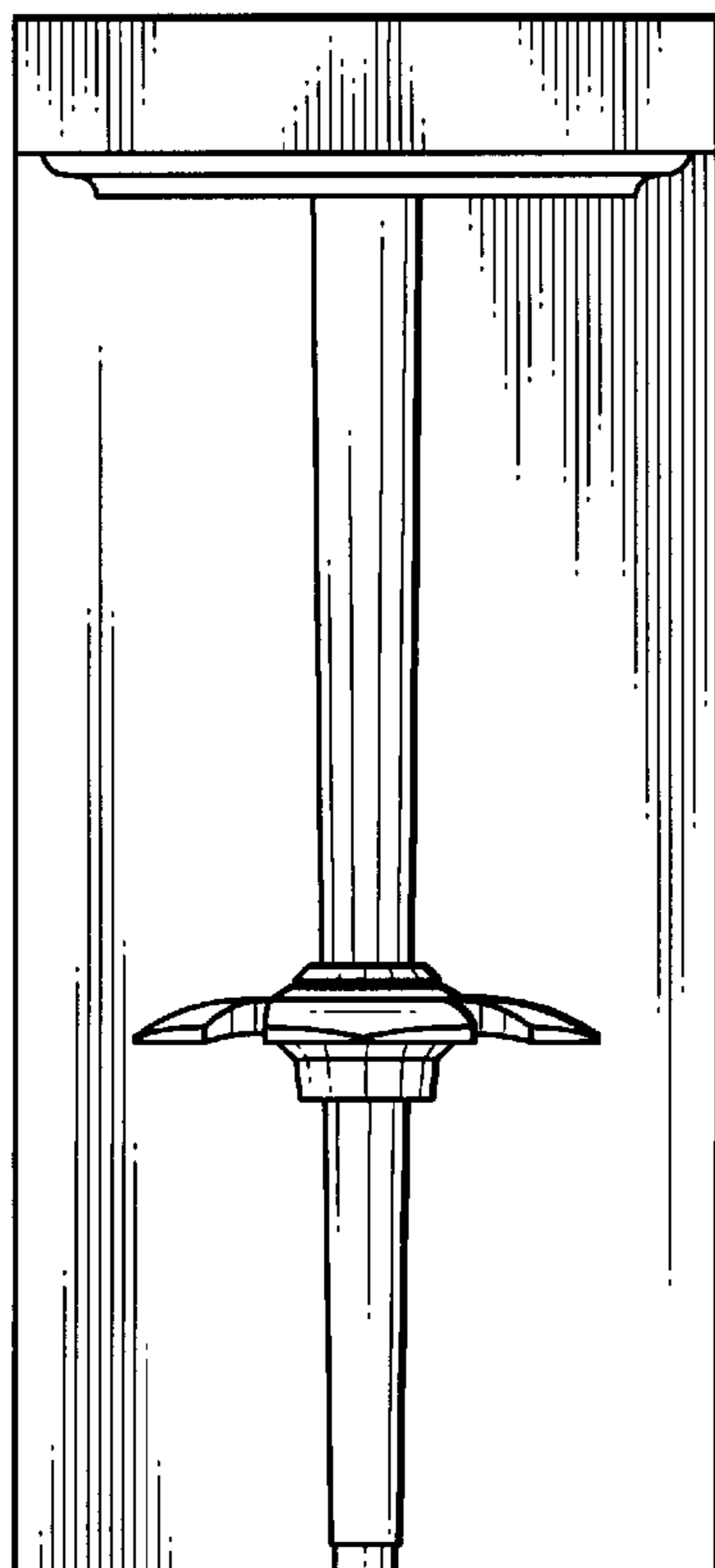


FIG. 6

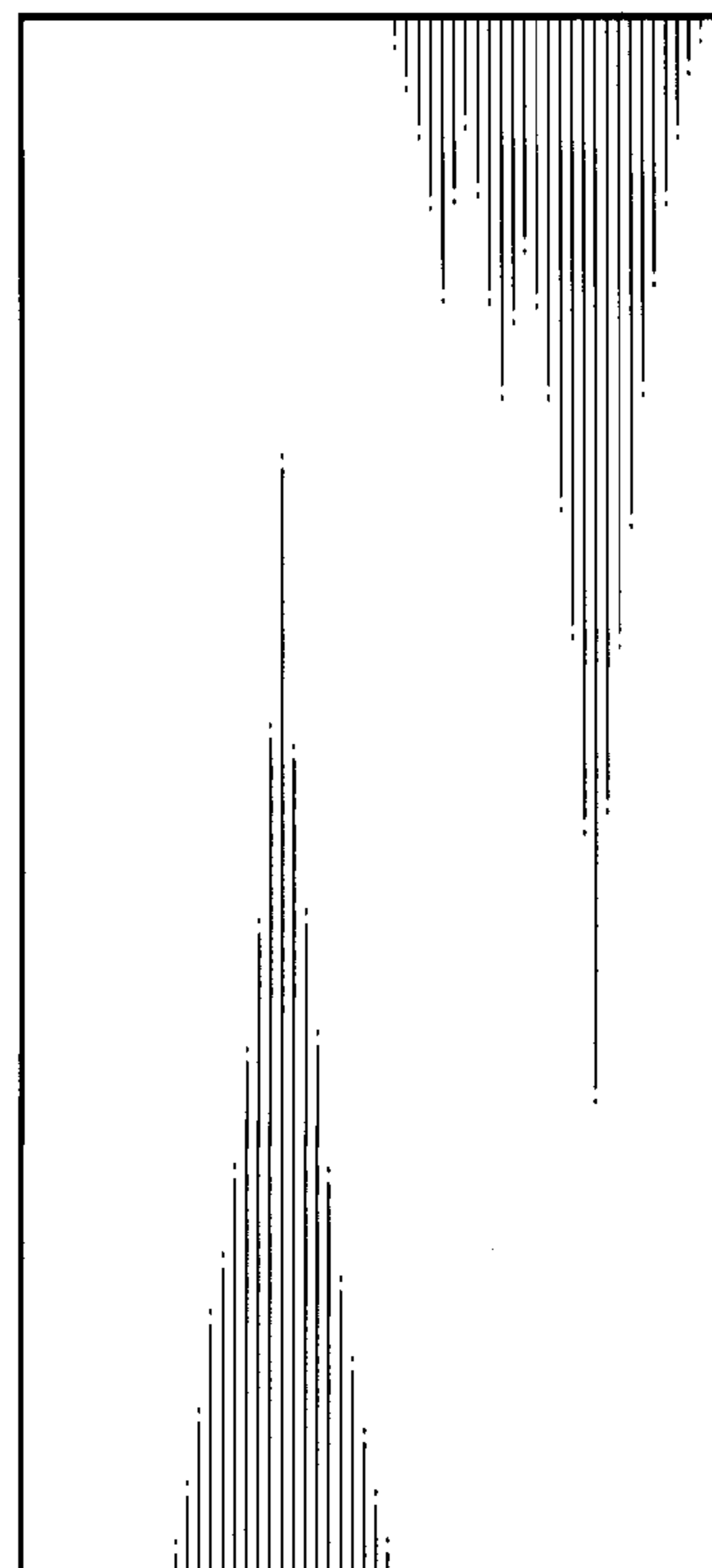


FIG. 7

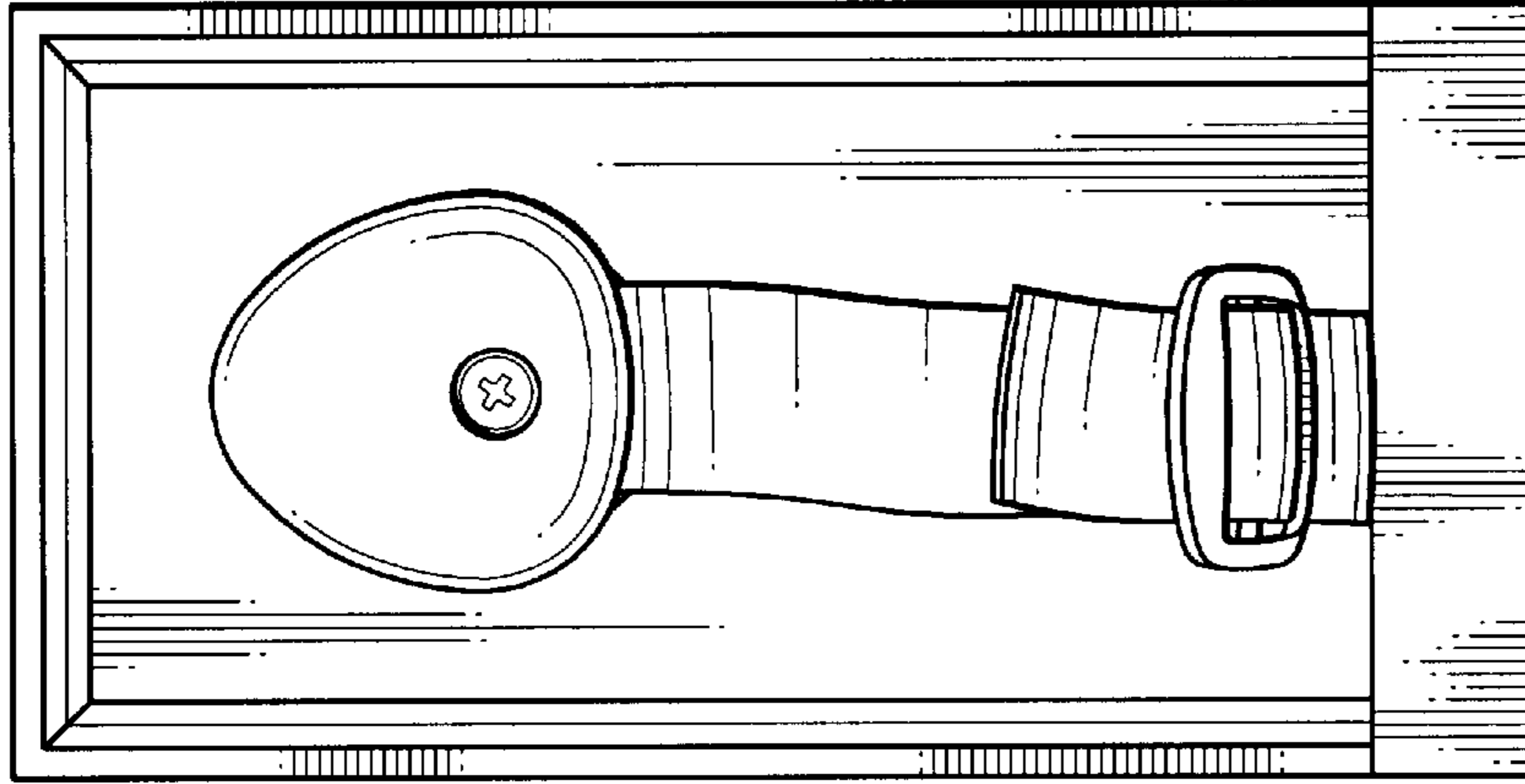


FIG. 1

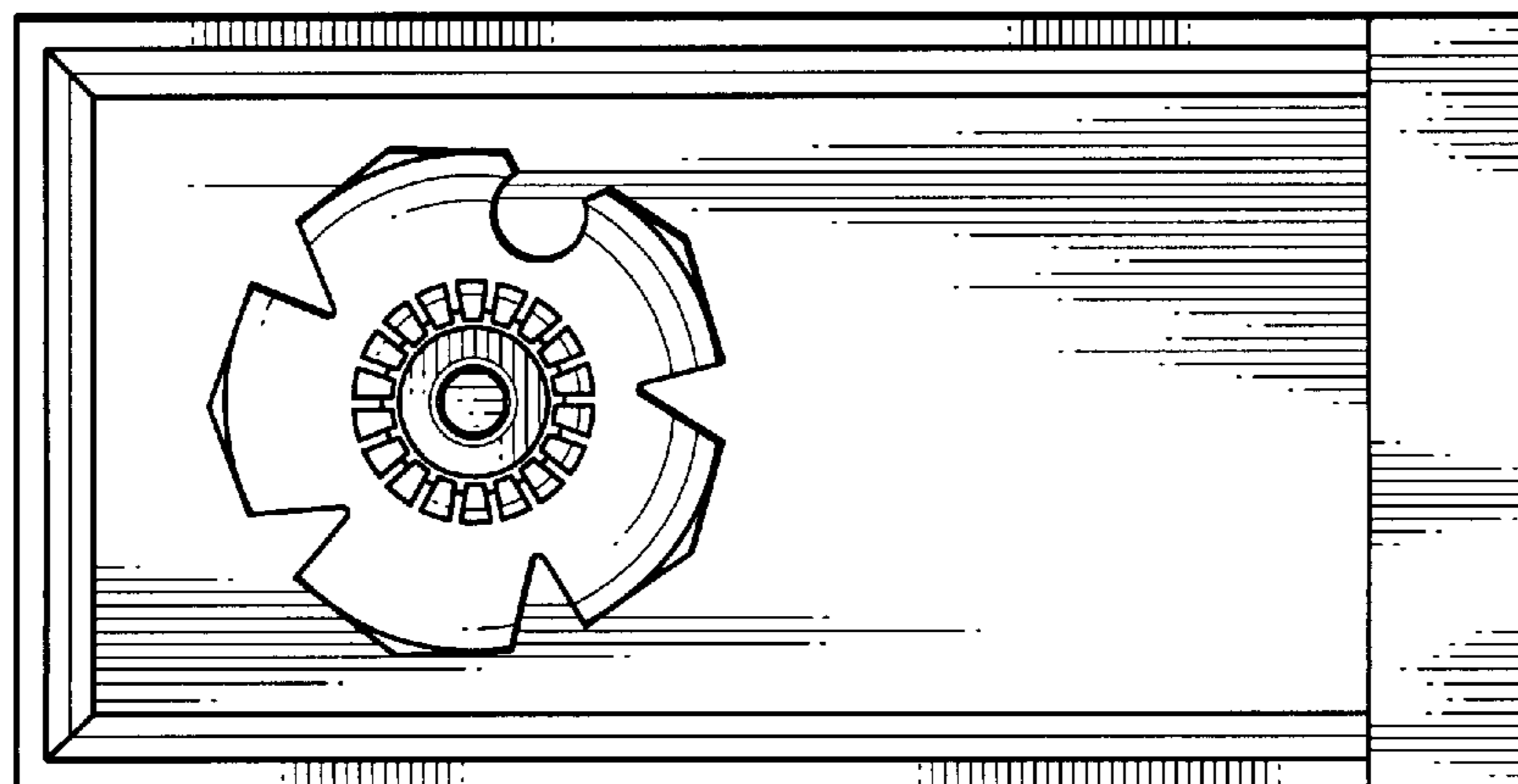


FIG. 2