



US00D522053S

(12) **United States Design Patent**
Gavronsky

(10) **Patent No.:** **US D522,053 S**
(45) **Date of Patent:** **** May 30, 2006**

(54) **CALENDAR SLIDE**

(75) Inventor: **Allan Gavronsky**, Cincinnati, OH (US)

(73) Assignee: **Stuebing Automatic Machine Company**, Cincinnati, OH (US)

(**) Term: **14 Years**

(21) Appl. No.: **29/200,796**

(22) Filed: **Mar. 4, 2004**

(51) **LOC (8) Cl.** **19-03**

(52) **U.S. Cl.** **D19/20**

(58) **Field of Classification Search** D25/119,
D25/136, 141; D19/20-25; 40/107-122;
211/45, 50; 402/70

See application file for complete search history.

(56) **References Cited**

U.S. PATENT DOCUMENTS

1,057,295	A	3/1913	Stuebing, Sr.	
1,906,024	A	4/1933	Todd	
2,042,912	A	6/1936	Stuebing, Jr.	
2,774,161	A	* 12/1956	Dixon	40/107
2,940,455	A	* 6/1960	Guichard	211/50
4,105,127	A	* 8/1978	Holl	211/45
5,096,069	A	3/1992	Brandon	
5,599,045	A	* 2/1997	Asai et al.	281/21.1
5,707,194	A	1/1998	Blumberg	
D390,600	S	* 2/1998	Jordan	D19/20
6,042,319	A	3/2000	Hoffman	
6,182,938	B1	* 2/2001	Wright	211/45
6,698,988	B1	3/2004	Hoffman	
2004/0111928	A1	* 6/2004	Gavronsky	40/107
2004/0114989	A1	* 6/2004	Gavronsky	402/70

* cited by examiner

Primary Examiner—Robert A. Delehanty

Assistant Examiner—Mark Cavanna

(74) *Attorney, Agent, or Firm*—Wood, Herrron & Evans, LLP

(57) **CLAIM**

The ornamental design for a calendar slide, as shown and described.

DESCRIPTION

FIG. 1 is perspective view of a first embodiment of a calendar slide according to this invention shown broken away to indicate indeterminate length;

FIG. 2 is an enlarged detail view of the eyelet and surrounding portion of the calendar slide of FIG. 6;

FIG. 3 is a front view of the calendar slide of FIG. 1;

FIG. 4 is an end view of the calendar slide of FIG. 1;

FIG. 5 is a back view of the calendar slide of FIG. 1;

FIG. 6 is a top view of the calendar slide of FIG. 1;

FIG. 7 is a bottom view of the calendar slide of FIG. 1;

FIG. 8 is a perspective view of a second embodiment of a calendar slide according to this invention shown broken away to indicate indeterminate length;

FIG. 9 is an enlarged detail view of the eyelet and surrounding portion of the calendar slide of FIG. 13;

FIG. 10 is a front view of the calendar slide of FIG. 8;

FIG. 11 is an end view of the calendar slide of FIG. 8;

FIG. 12 is a back view of the calendar slide of FIG. 8;

FIG. 13 is a top view of the calendar slide of FIG. 8;

FIG. 14 is a bottom view of the calendar slide of FIG. 8;

FIG. 15 is a perspective view of a third embodiment of a calendar slide according to this invention shown broken away to indicate indeterminate length;

FIG. 16 is an enlarged detail view of an eyelet portion of the calendar slide of FIG. 20;

FIG. 17 is a front view of the calendar slide of FIG. 15;

FIG. 18 is an end view of the calendar slide of FIG. 15;

FIG. 19 is a back view of the calendar slide of FIG. 15;

FIG. 20 is a top view of the calendar slide of FIG. 15;

FIG. 21 is a bottom view of the calendar slide of FIG. 15;

FIG. 22 is perspective view of a fourth embodiment of a calendar slide according to this invention shown broken away to indicate indeterminate length;

FIG. 23 is an enlarged detail view of the eyelet and surrounding portion of the calendar slide of FIG. 27;

FIG. 24 is a front view of the calendar slide of FIG. 22;

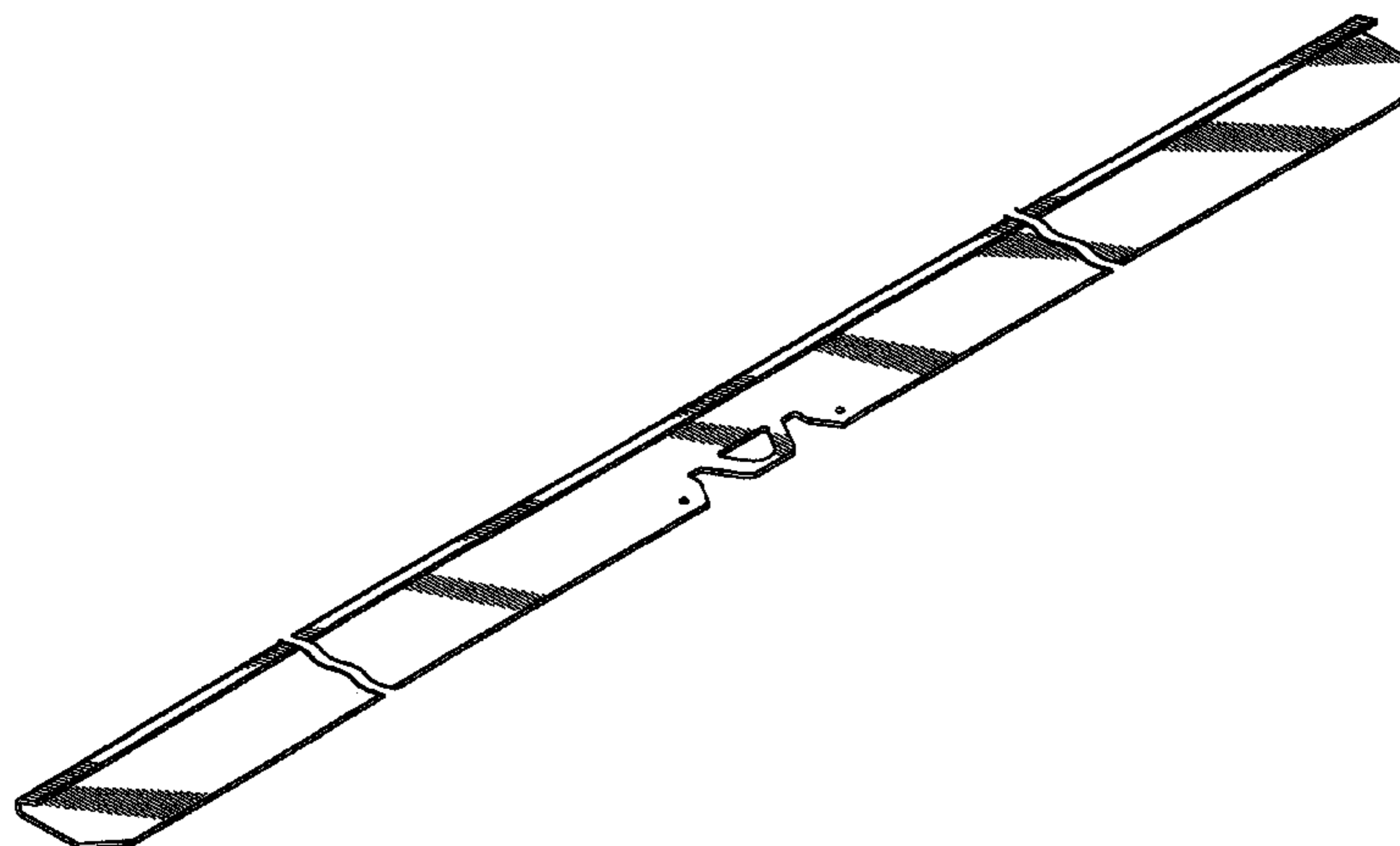
FIG. 25 is an end view of the calendar slide of FIG. 22;

FIG. 26 is a back view of the calendar slide of FIG. 22;

FIG. 27 is a top view of the calendar slide of FIG. 22; and,

FIG. 28 is a bottom view of the calendar slide of FIG. 22.

1 Claim, 8 Drawing Sheets



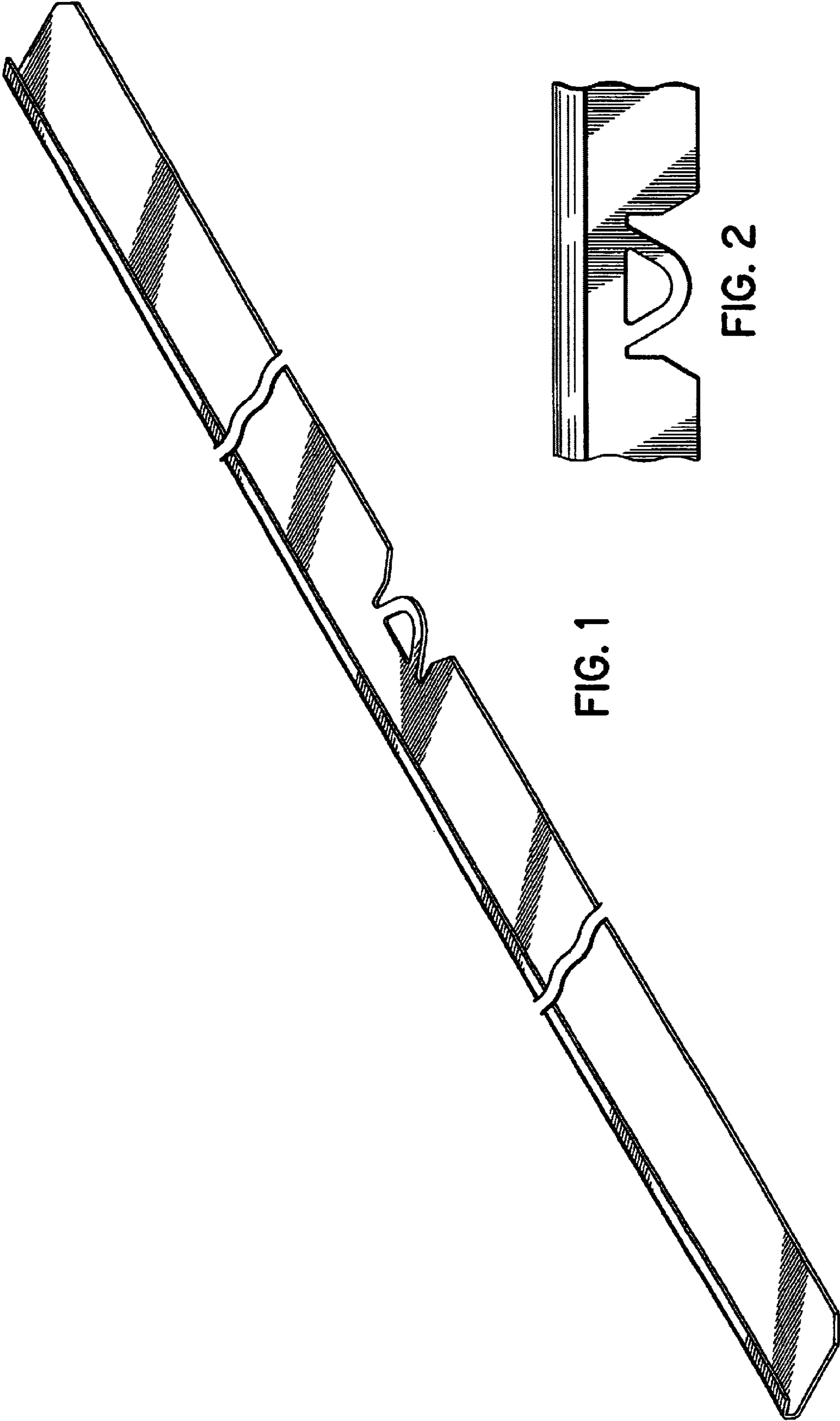


FIG. 1

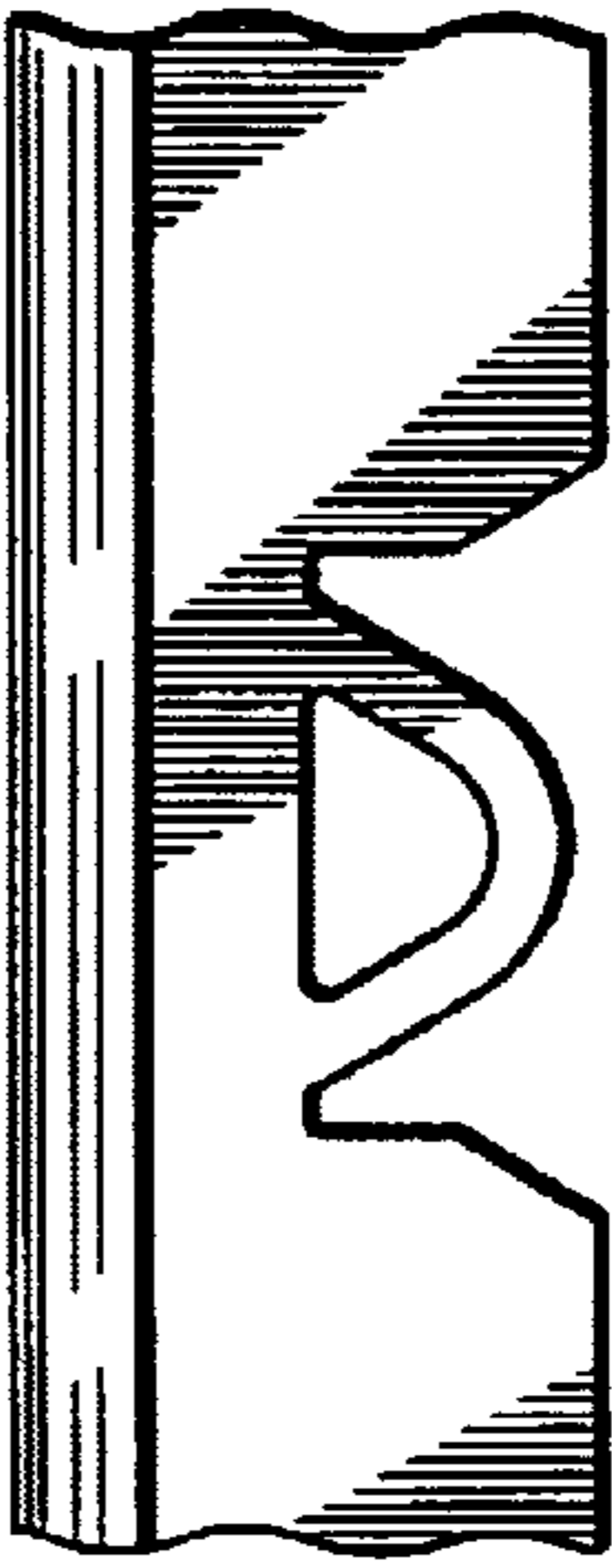


FIG. 2



FIG. 3



FIG. 4

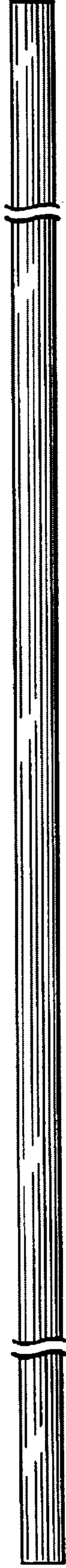


FIG. 5

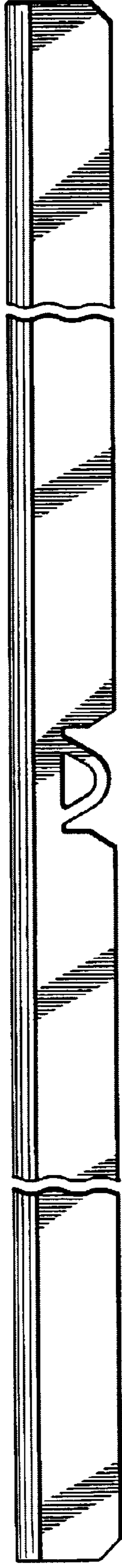


FIG. 6



FIG. 7

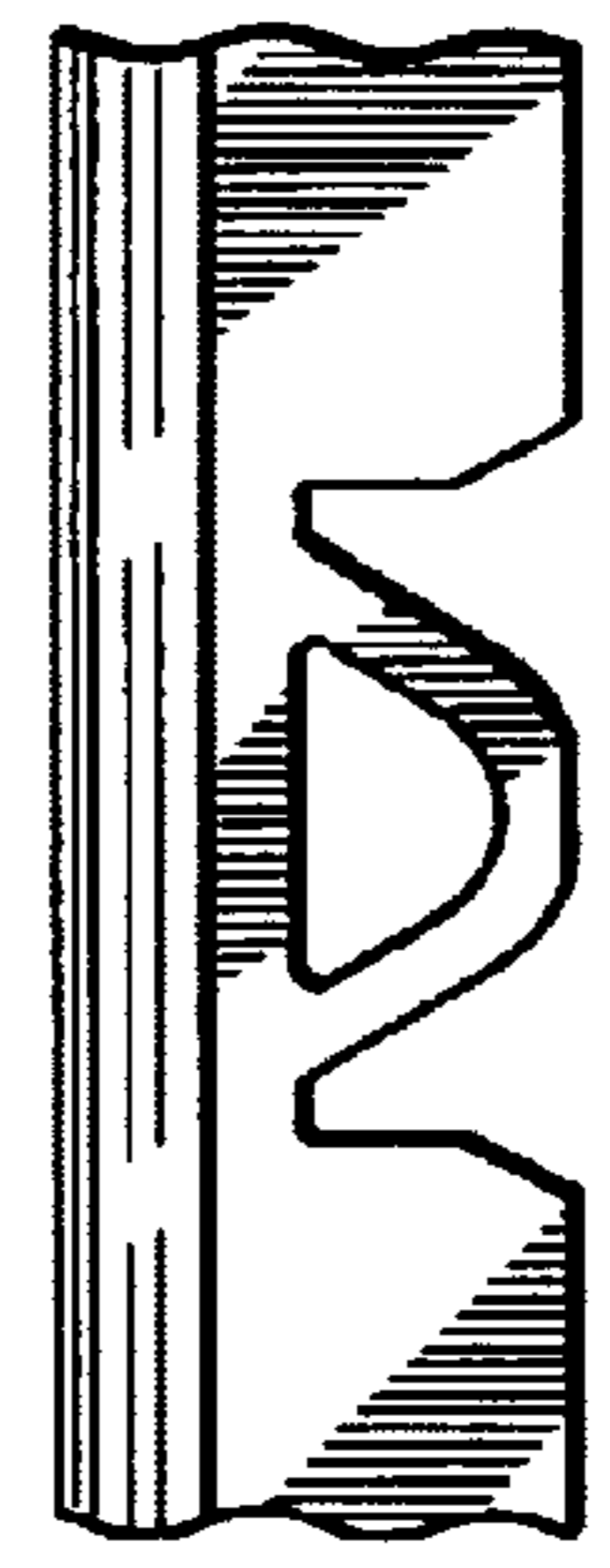
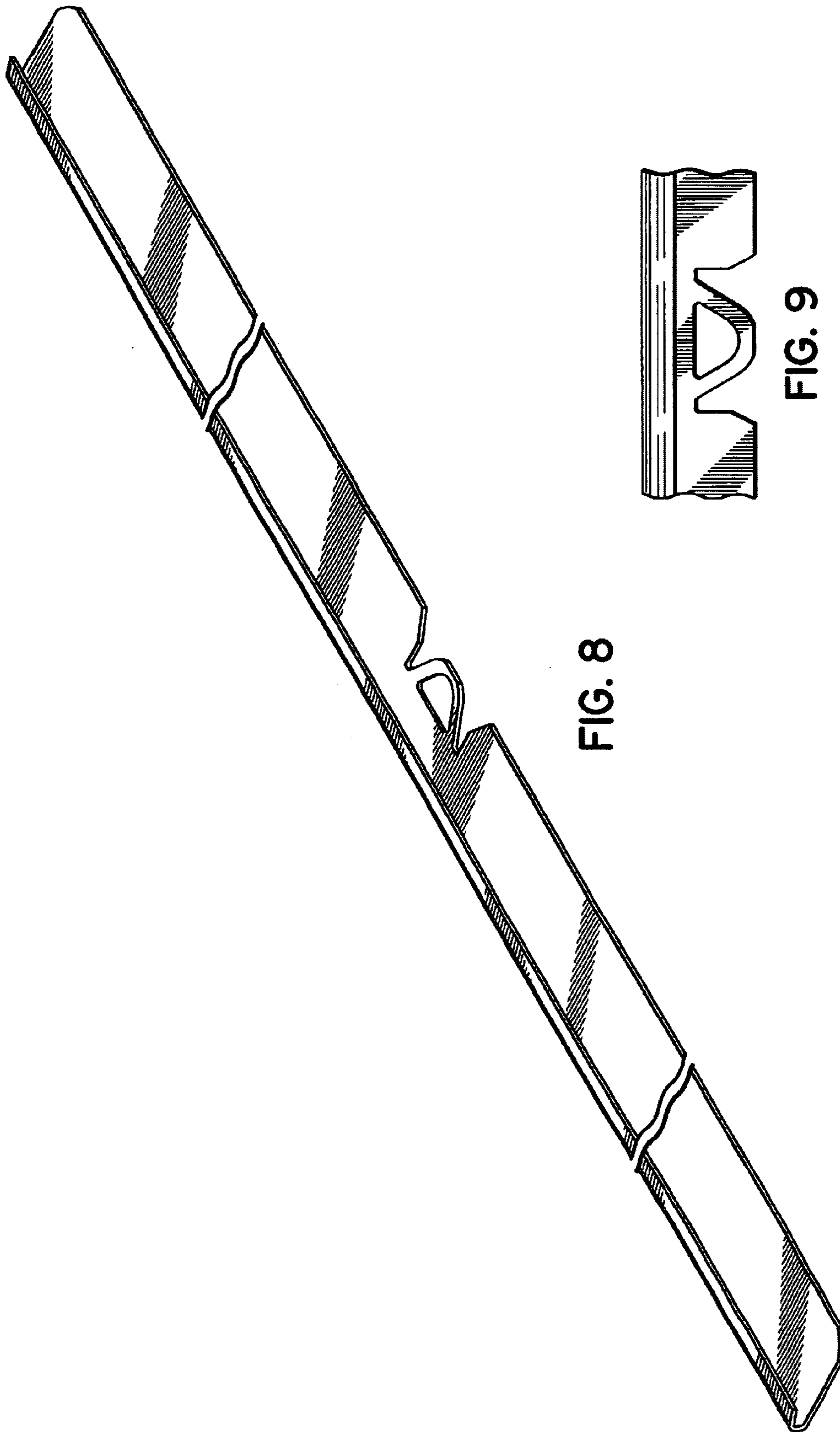


FIG. 8

FIG. 9

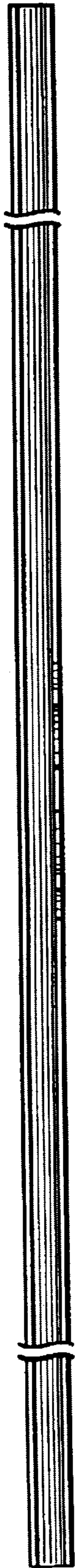


FIG. 10



FIG. 11



FIG. 12

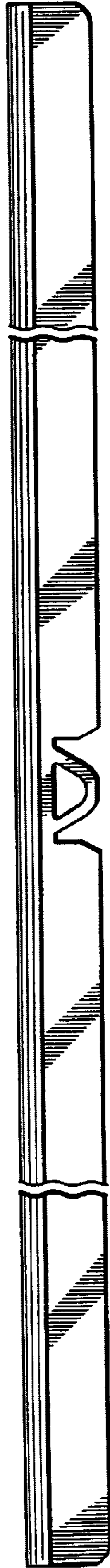


FIG. 13

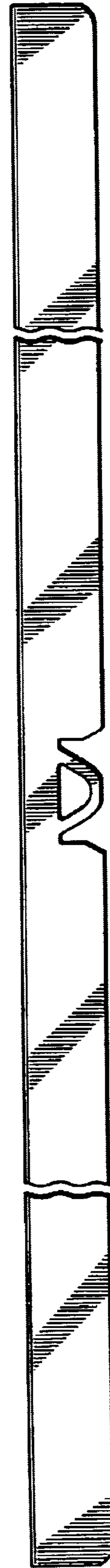


FIG. 14

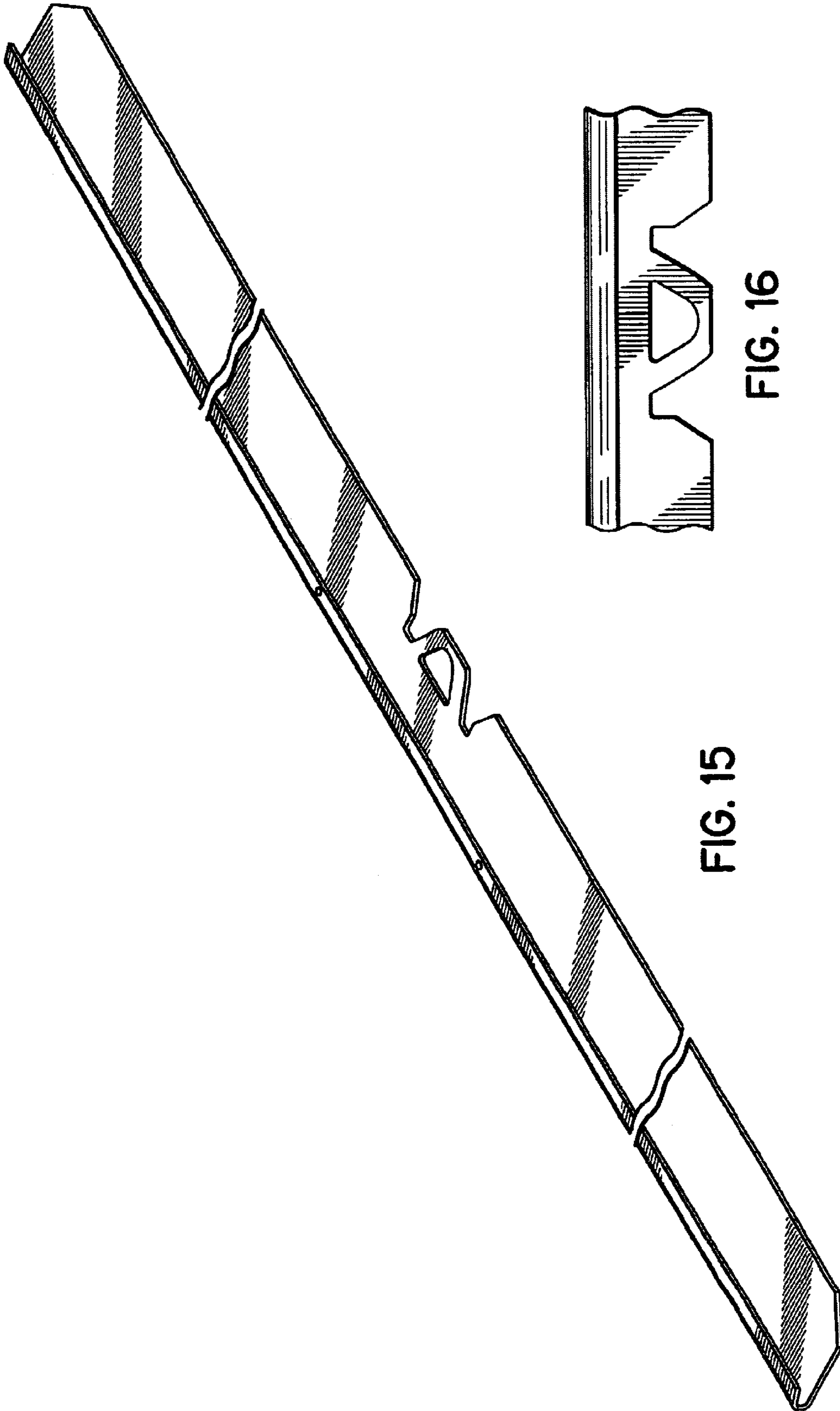


FIG. 15

FIG. 16



FIG. 17



FIG. 18



FIG. 19



FIG. 20



FIG. 21

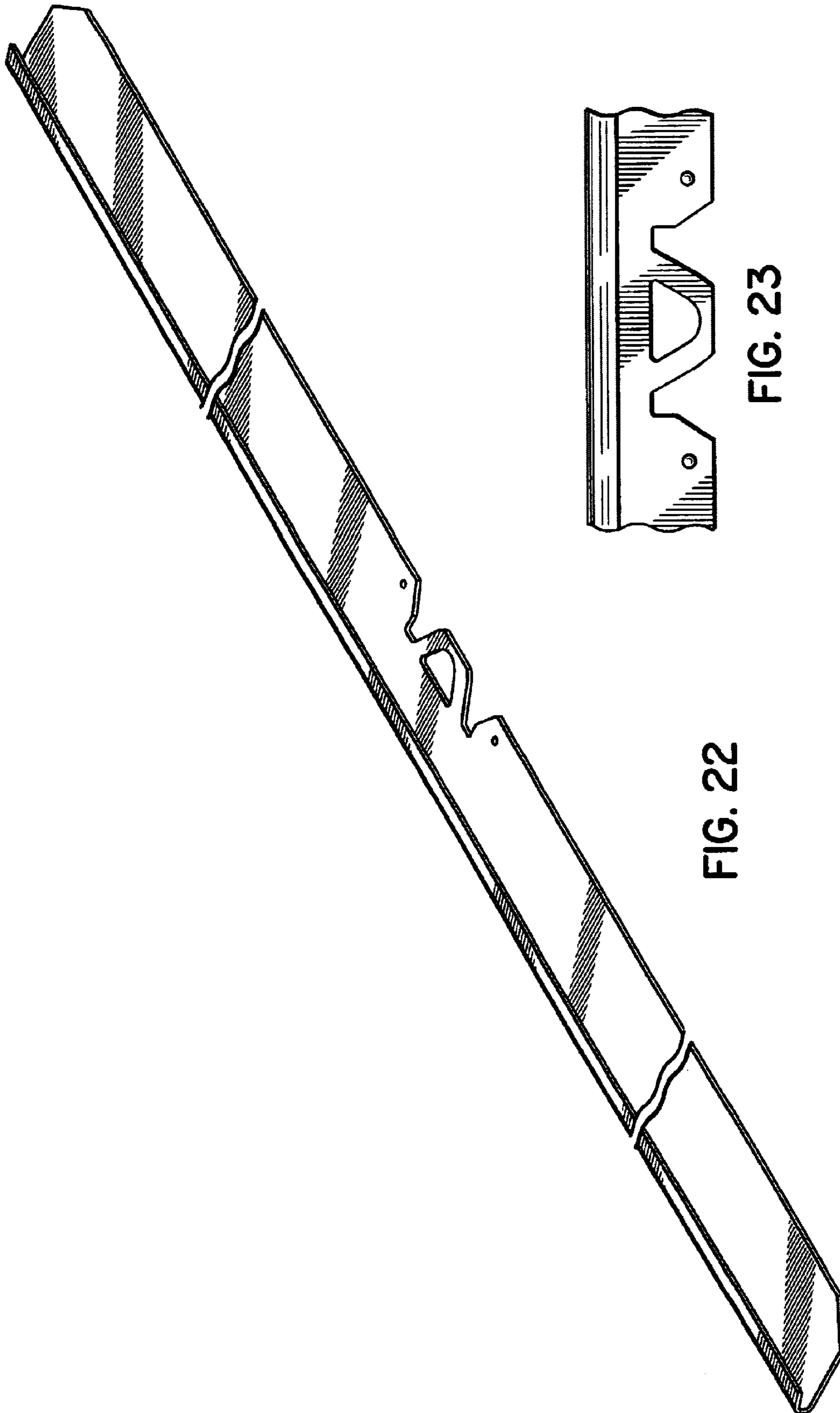


FIG. 23

FIG. 22

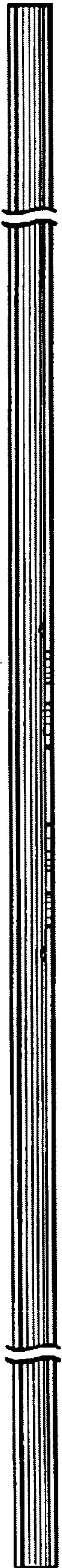


FIG. 24



FIG. 25



FIG. 26



FIG. 27



FIG. 28